



US00D422914S

United States Patent [19]
Lasky

[11] **Patent Number: Des. 422,914**

[45] **Date of Patent: ** Apr. 18, 2000**

[54] **OIL DISPENSER CAP SHAPED AS AN OIL FILTER**

[75] Inventor: **William Lasky**, Toledo, Ohio

[73] Assignee: **Dana Corporation**, Toledo, Ohio

[**] Term: **14 Years**

[21] Appl. No.: **29/102,805**

[22] Filed: **Apr. 1, 1999**

[51] **LOC (6) Cl.** **09-07**

[52] **U.S. Cl.** **D9/451; D9/452; D9/454**

[58] **Field of Search** D9/435, 439, 445,
D9/451, 452, 453, 454, 503, 504, 505,
529; 215/316, 328, 329; 220/288, 608

[56] **References Cited**

U.S. PATENT DOCUMENTS

- D. 272,324 1/1984 Mumford et al. D9/454 X
- D. 351,795 10/1994 Ogden D9/453

Primary Examiner—Cathron B. Matta

Attorney, Agent, or Firm—Rader, Fishman & Grauer PLLC

[57] **CLAIM**

The ornamental design for an oil dispenser cap shaped as an oil filter, as shown and described.

DESCRIPTION

FIG. 1 is a view of the front face of the oil dispenser cap shaped as an oil filter

Views of the rear, left and right faces of the oil dispenser cap shaped as an oil filter look identical to that shown in FIG. 1.

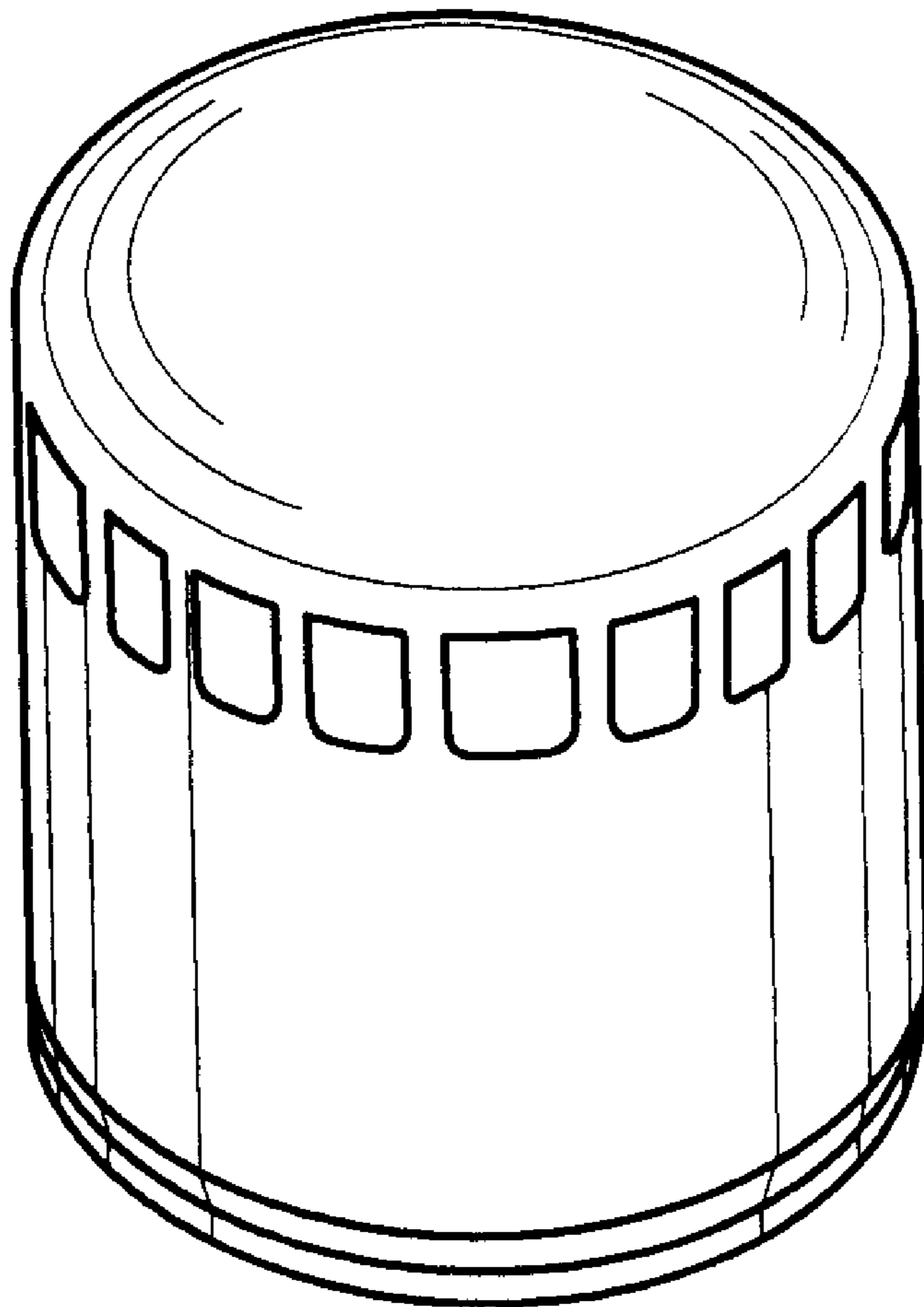
FIG. 2 is a view of the top face of the oil dispenser cap shaped as an oil filter

FIG. 3 is a view of the bottom face of the oil dispenser cap shaped as an oil filter

FIG. 4 is an isometric view of the oil dispenser cap shaped as an oil filter; and,

FIG. 5 is an isometric view of the oil dispenser cap shaped as an oil filter placed on the oil dispenser, which not being a part of the claimed design, is shown in broken lines to represent the environment in which the invention is used.

1 Claim, 1 Drawing Sheet



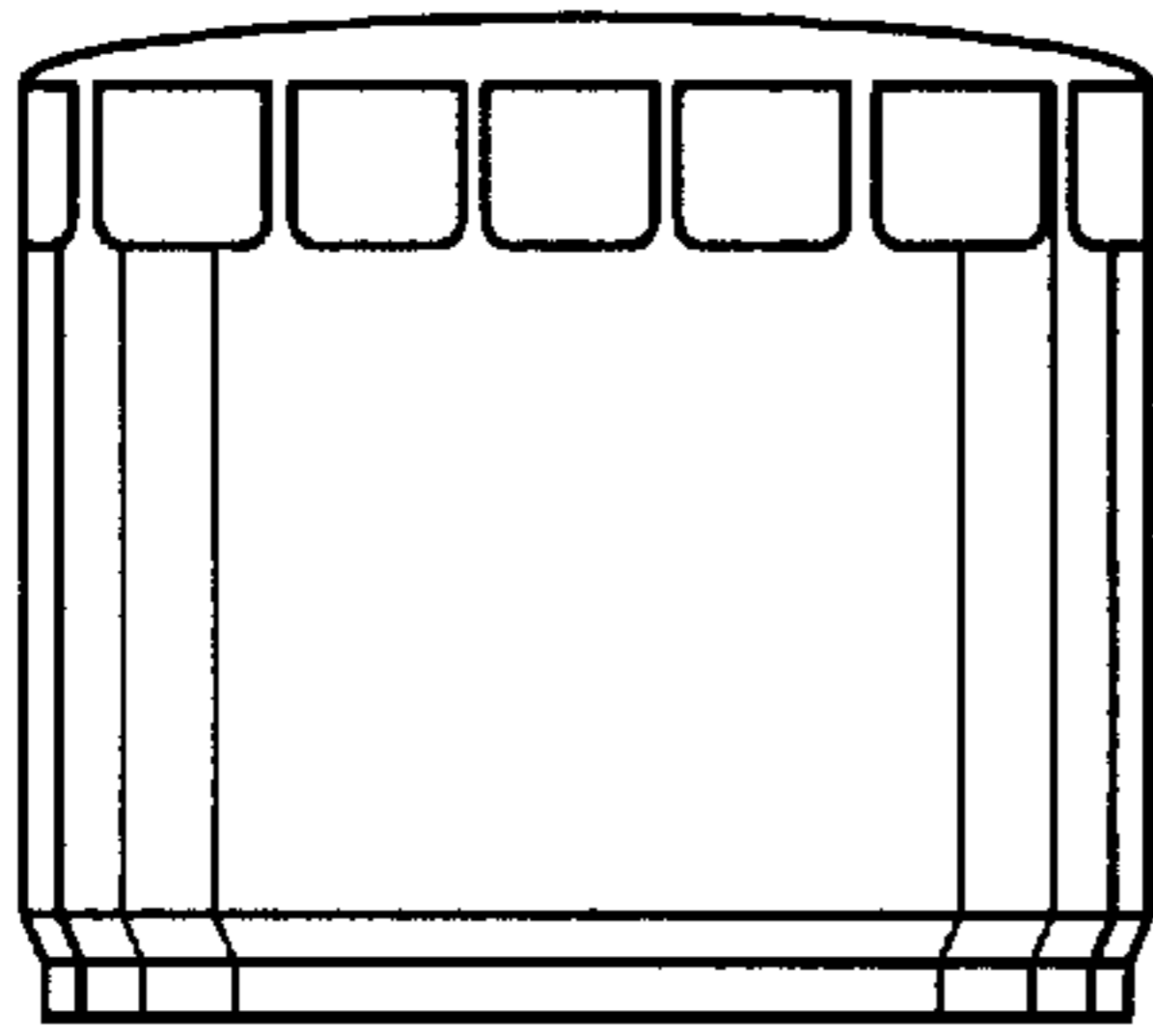


Fig-1

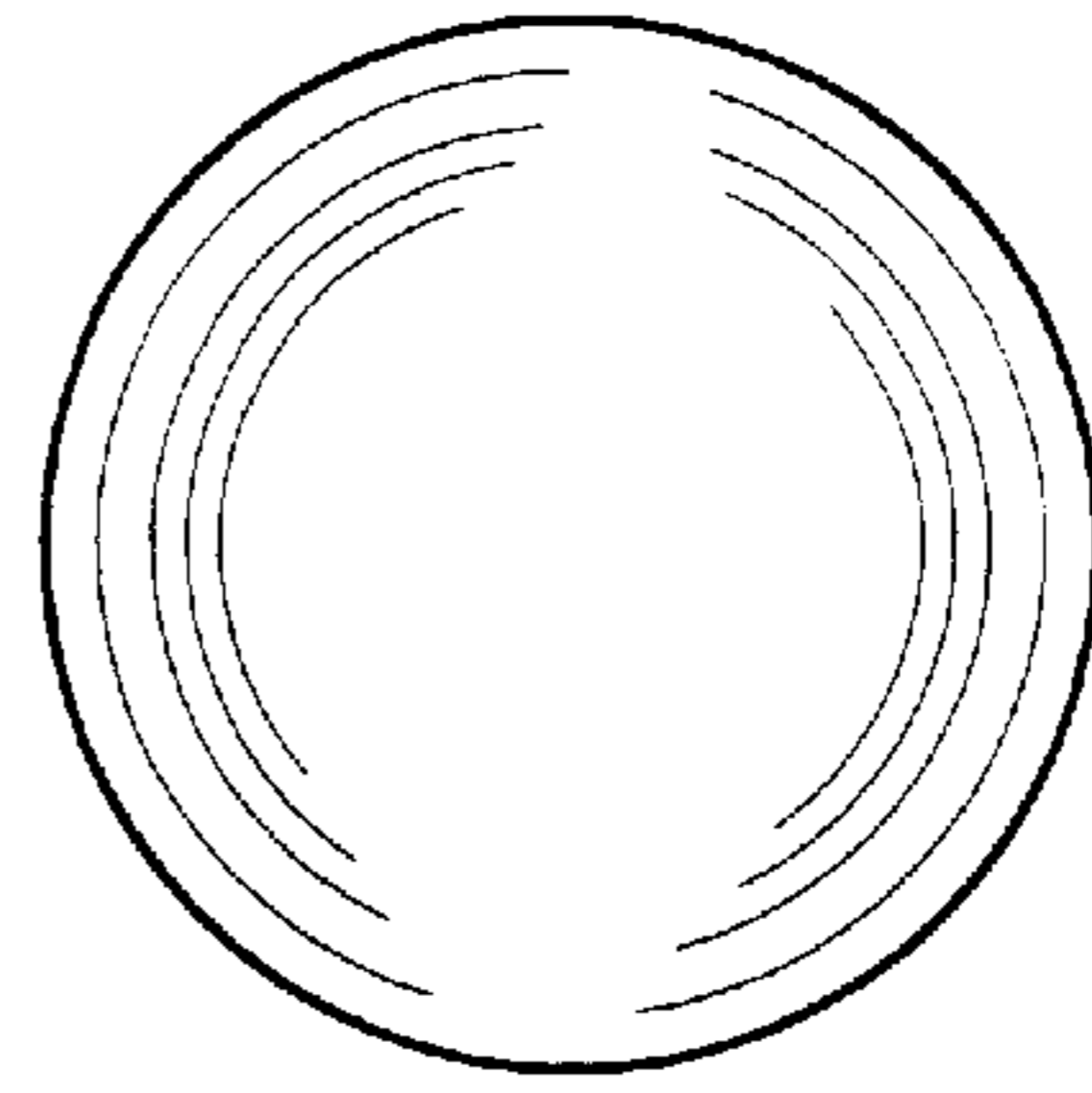


Fig-2

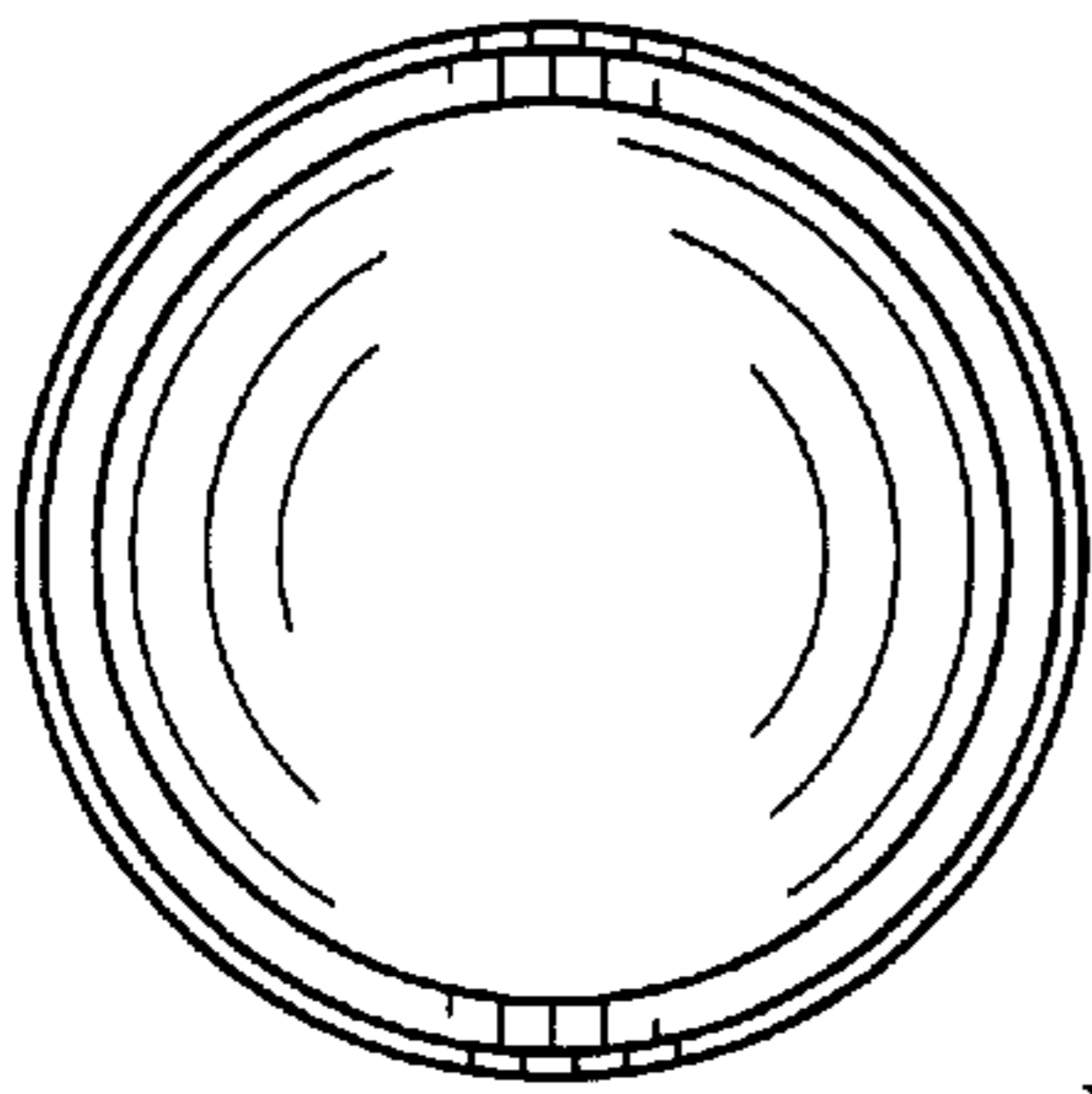


Fig-3

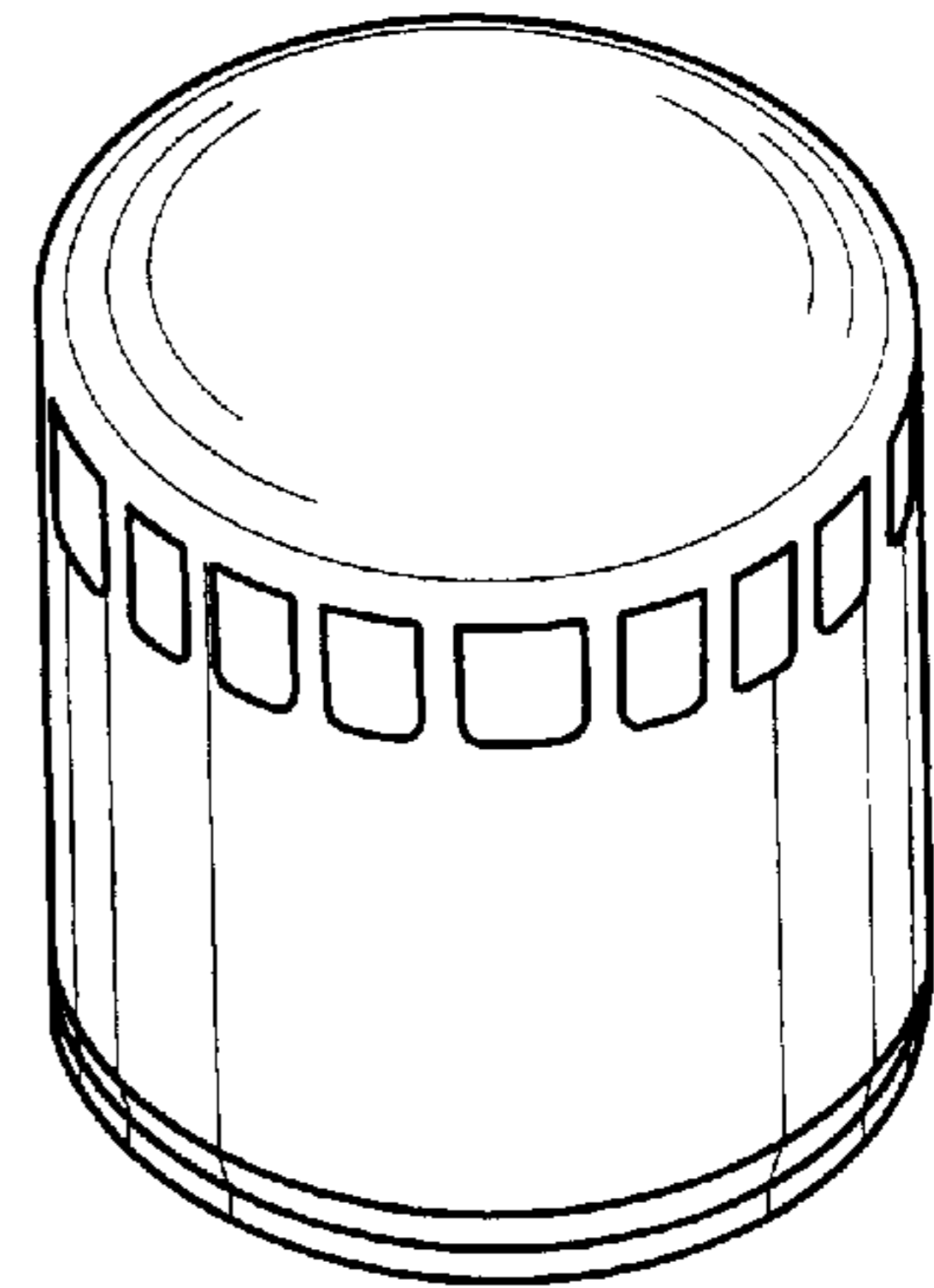


Fig-4

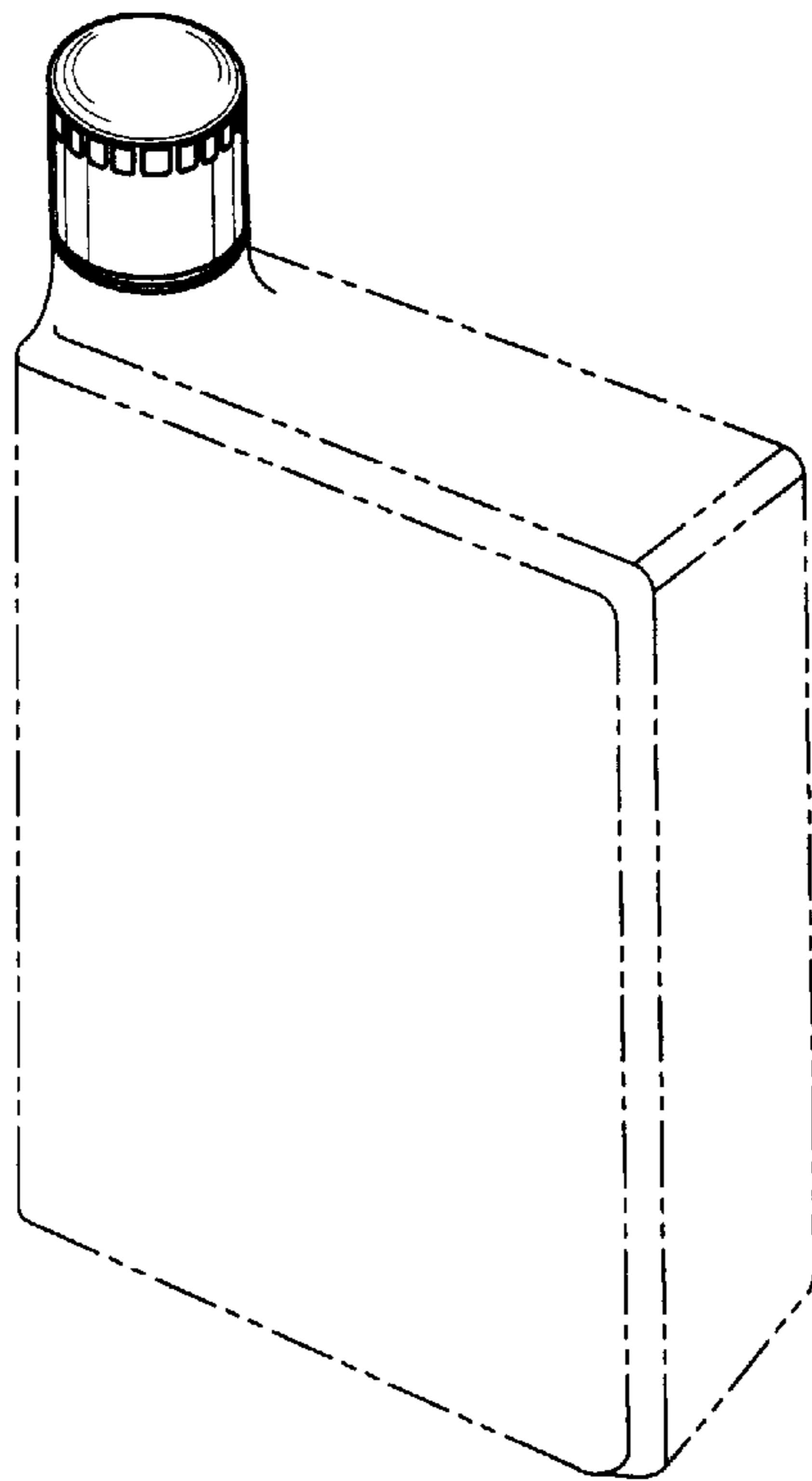


Fig-5