



US00D422909S

United States Patent [19]

Smith et al.

[11] **Patent Number: Des. 422,909**

[45] **Date of Patent: ** Apr. 18, 2000**

[54] **SLIDER FOR A RECLOSABLE THERMOPLASTIC BAG**

[75] Inventors: **Leland J. Smith**, Midland, Mich.;
David L. Hunt, Cincinnati, Ohio

[73] Assignee: **S. C. Johnson Home Storage Inc.**,
Racine, Wis.

[**] Term: **14 Years**

[21] Appl. No.: **29/072,829**

[22] Filed: **Jun. 25, 1997**

[51] **LOC (6) Cl.** **09-07**

[52] **U.S. Cl.** **D9/434; D9/435**

[58] **Field of Search** **D9/434, 435, 443;**
24/381, 387, 399, 400, 401, 577, 587; 383/64,
65

[56] **References Cited**

U.S. PATENT DOCUMENTS

5,189,764 3/1993 Herrington et al. 24/399 X

5,211,482 5/1993 Tilman 383/64 X
5,664,299 9/1997 Porchia et al. 24/400
5,669,715 9/1997 Dobreski et al. 24/400 X
5,722,128 3/1998 Toney et al. 24/400

Primary Examiner—Cathron B. Matta

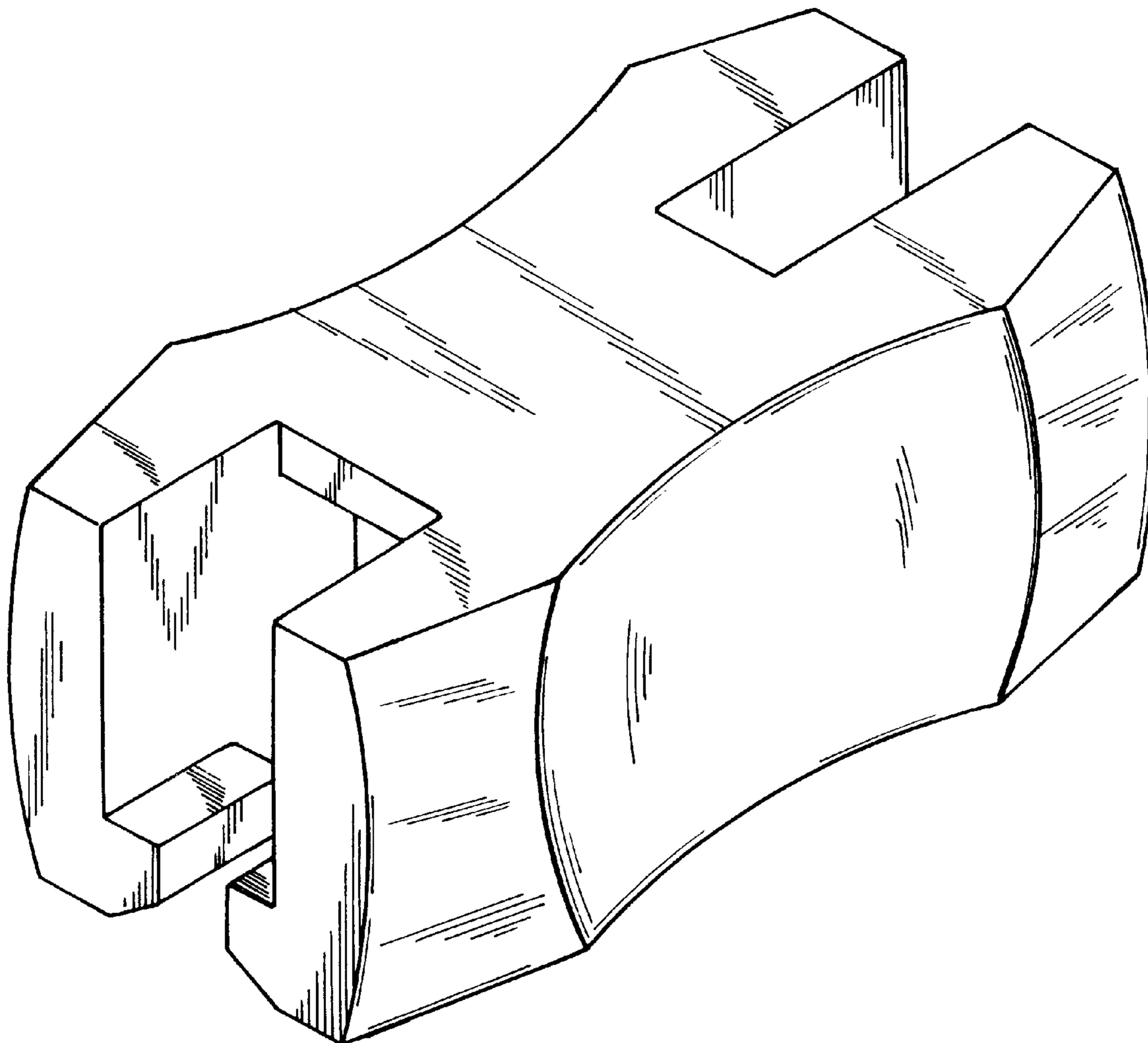
[57] **CLAIM**

The ornamental design for a slider for a reclosable thermo-
plastic bag, as shown and described.

DESCRIPTION

FIG. 1 is a front elevational view of a slider for a reclosable
thermoplastic bag embodying our design, the rear eleva-
tional view being the same in appearance.
FIG. 2 is a left side elevational view thereof.
FIG. 3 is a right side elevational view thereof.
FIG. 4 is a top plan view thereof.
FIG. 5 is a bottom plan view thereof; and,
FIG. 6 is a perspective view thereof.

1 Claim, 2 Drawing Sheets



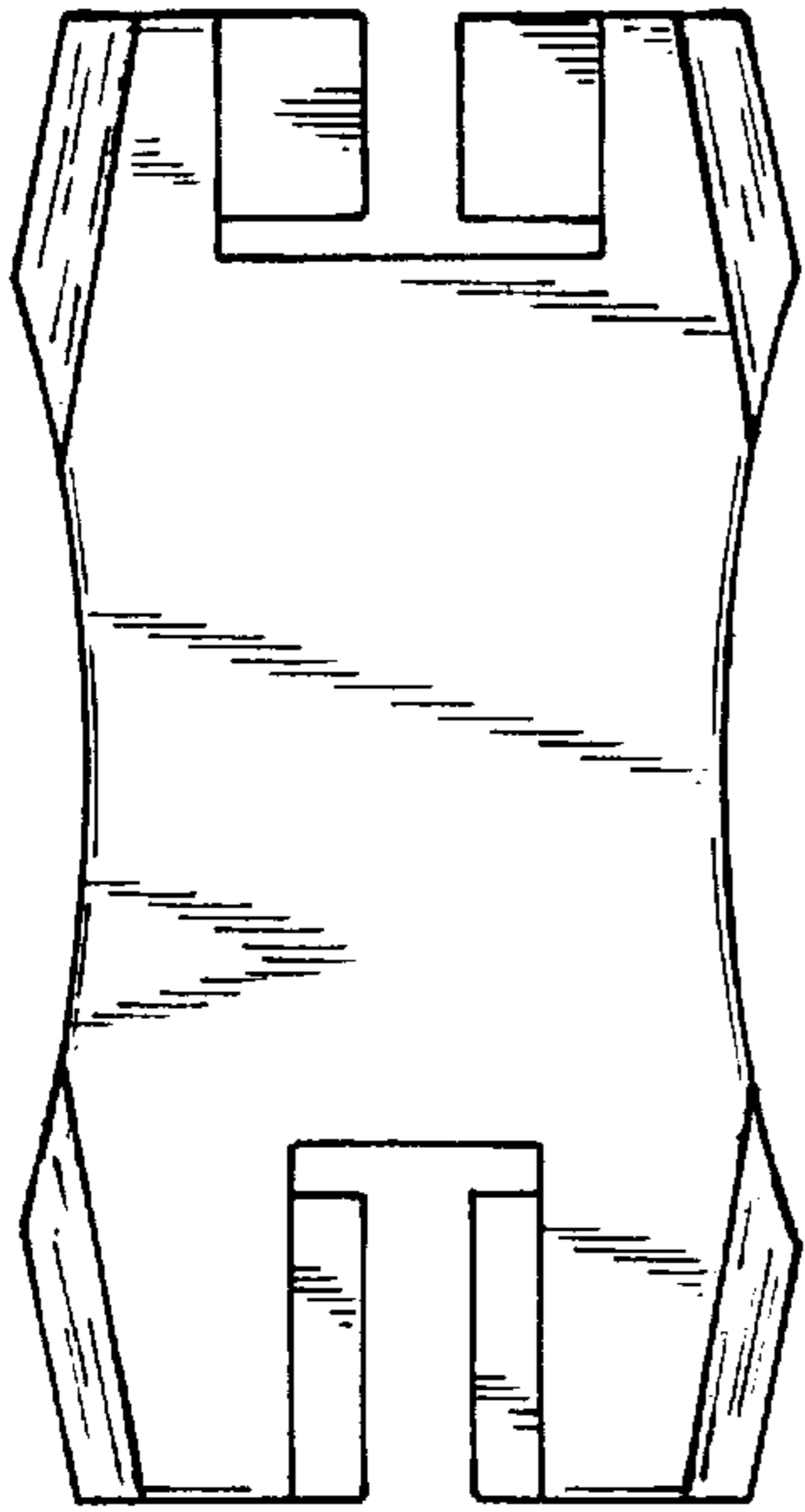


FIG. 4

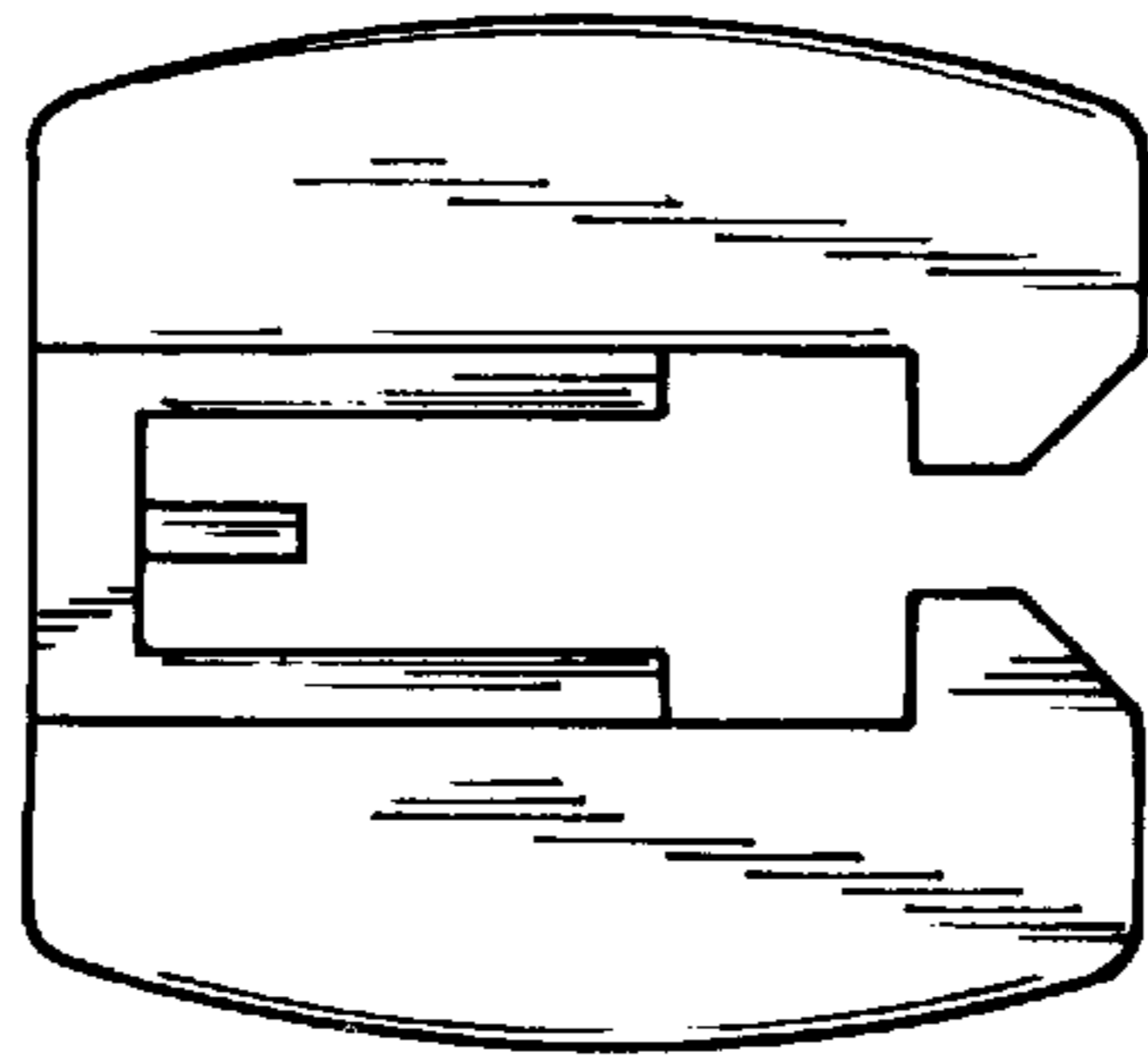


FIG. 2

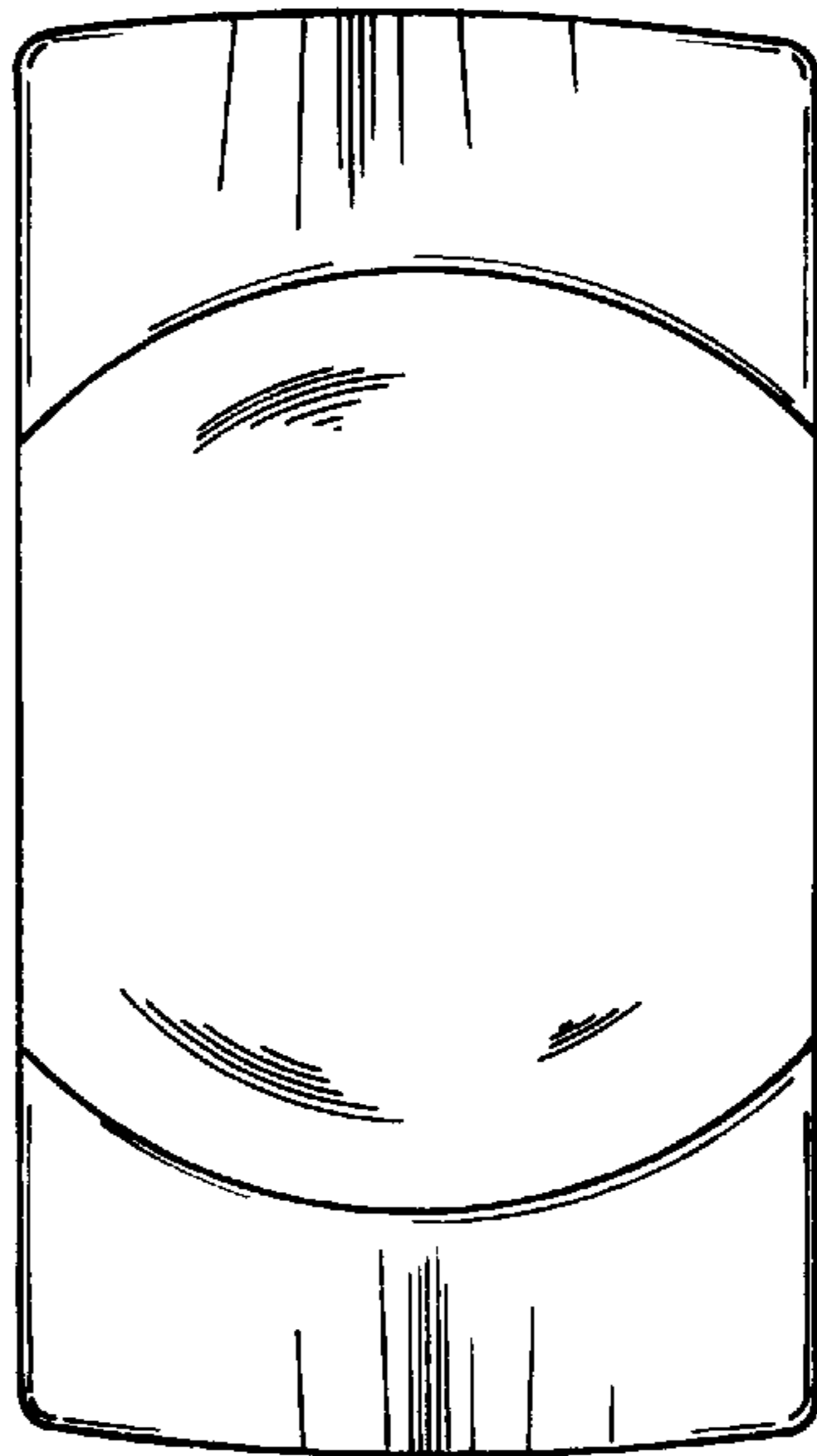


FIG. 1

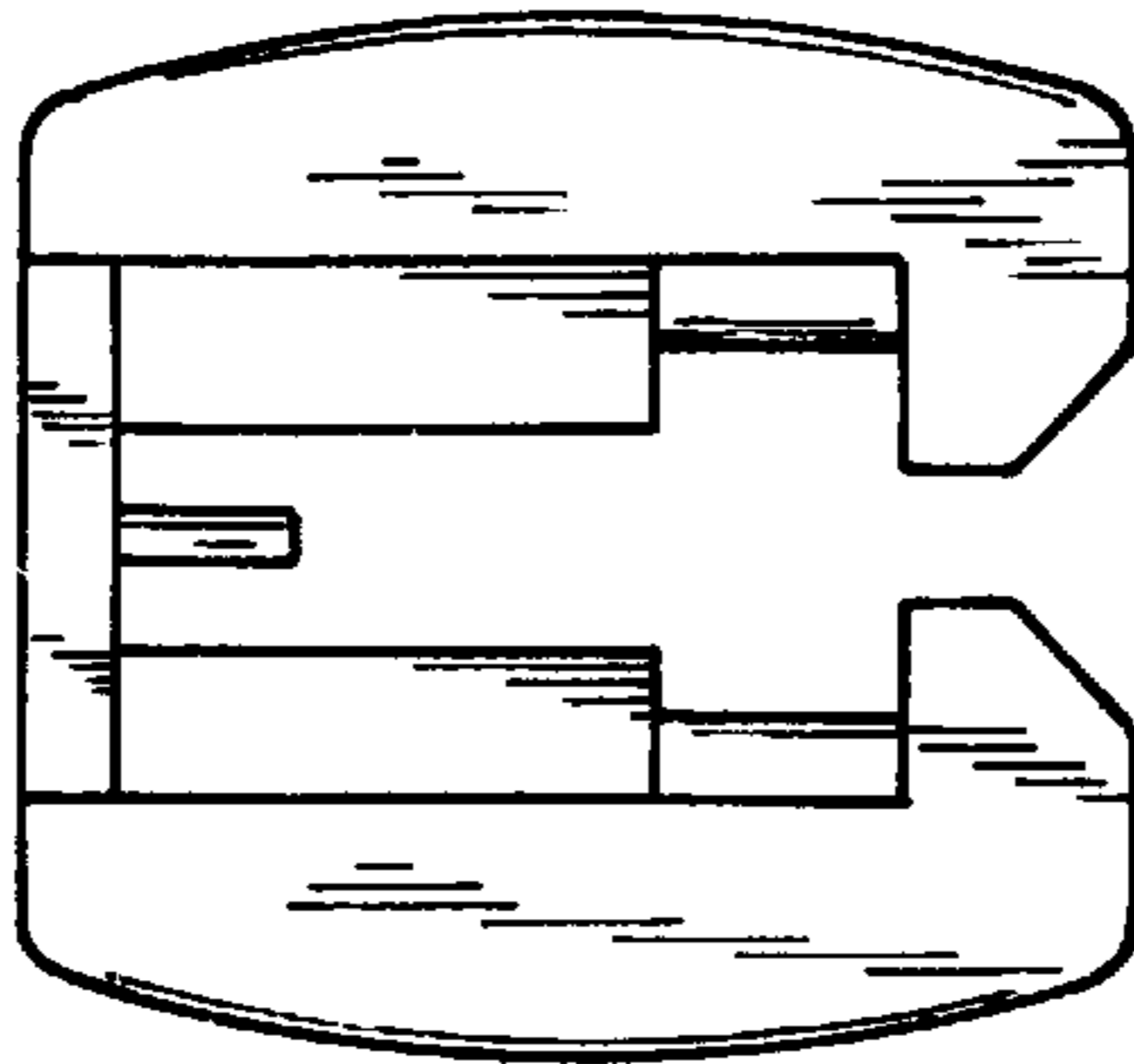


FIG. 3

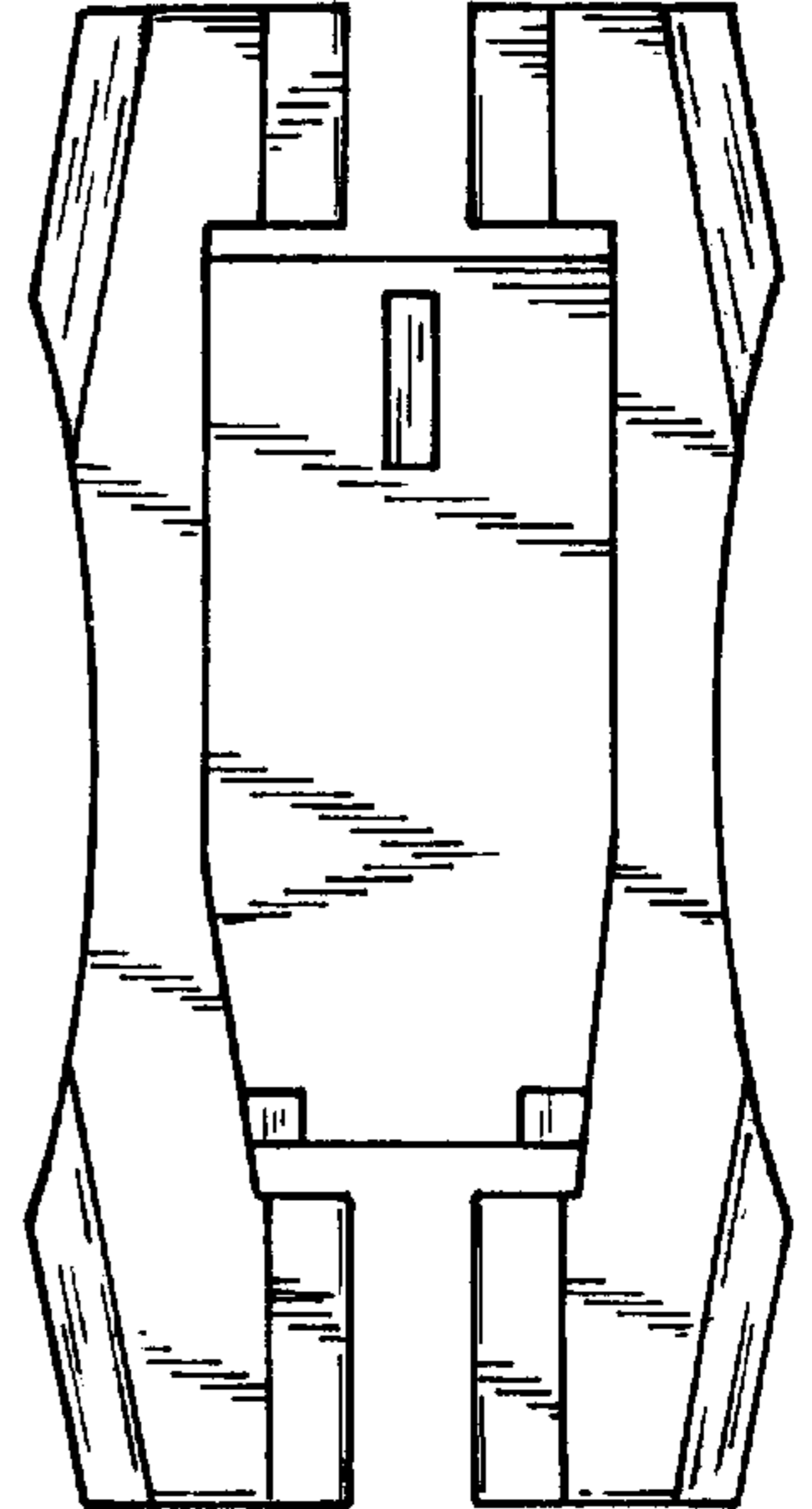


FIG. 5

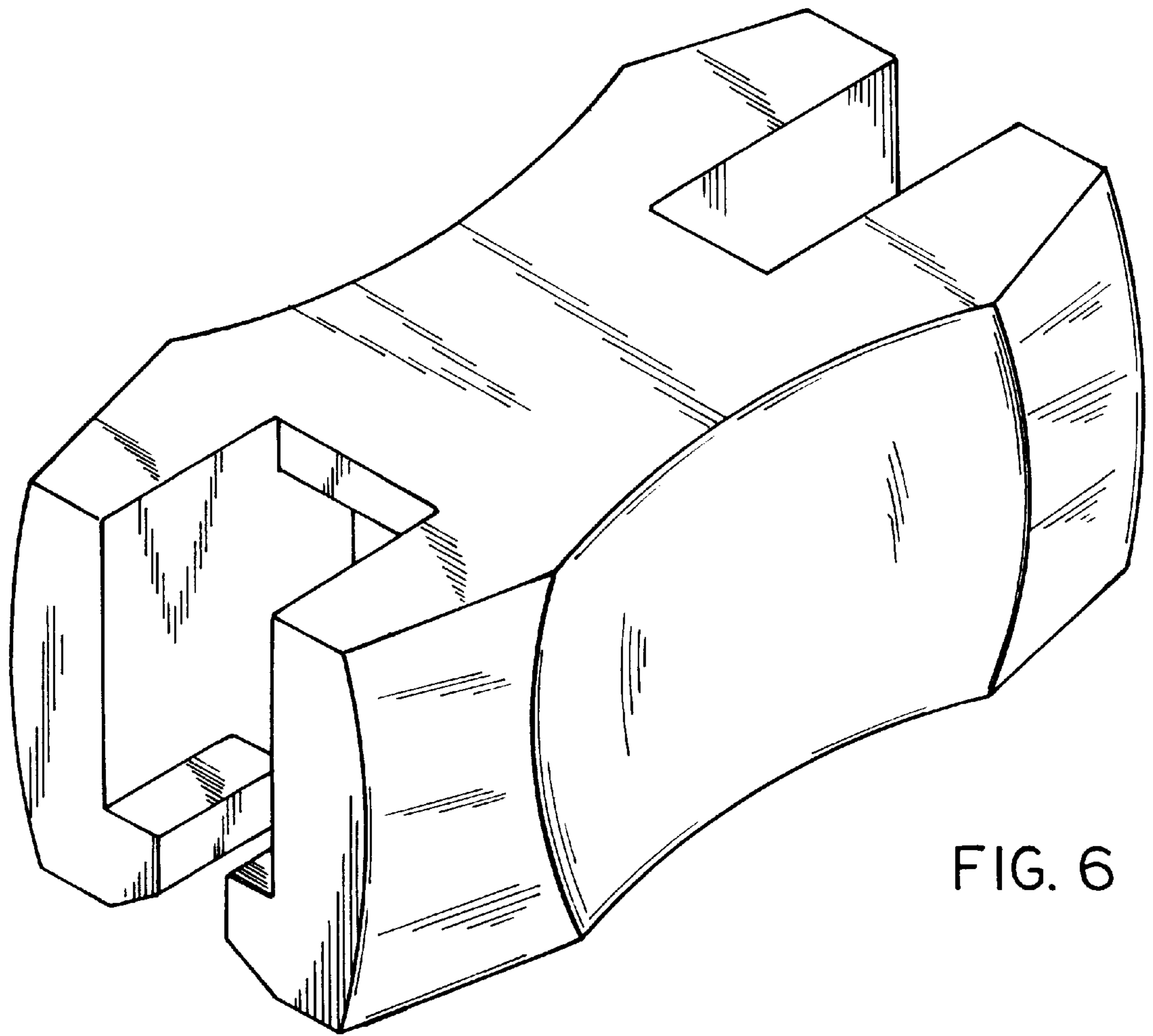


FIG. 6