



US00D422907S

United States Patent [19]

[11] Patent Number: **Des. 422,907**

Sagan et al.

[45] Date of Patent: **** Apr. 18, 2000**

[54] **BOTTOM FOR A FOOD CONTAINER**

[75] Inventors: **Michael John A. Sagan**, Batavia;
Mark A. Erickson, McHenry;
Christina M. Tranfaglia, Chicago;
Robert S. Schlaupitz, Wadsworth, all
of Ill.

[73] Assignee: **Tenneco Packaging**, Evanston, Ill.

[**] Term: **14 Years**

[21] Appl. No.: **29/080,459**

[22] Filed: **Dec. 8, 1997**

[51] **LOC (6) Cl.** **09-07**

[52] **U.S. Cl.** **D9/428; D9/425**

[58] **Field of Search** D9/420-429, 414;
D7/602, 629, 33 D, 641; 206/508, 509,
511, 551, 769-773, 775-778; 426/128,
111, 166; 229/406, 407, 4.5, 902, 904,
938; 312/283, 284; 220/376, 377, 602,
608, 306

[56] **References Cited**

U.S. PATENT DOCUMENTS

D. 218,804	9/1970	Doubleday	D9/220
D. 225,050	11/1972	Cannell	D9/3
D. 328,705	8/1992	Krupa	D9/420
D. 329,198	9/1992	Krupa	D9/423
D. 344,660	3/1994	Krupa	D7/629
D. 345,912	4/1994	Krupa	D9/429
D. 346,554	5/1994	Krupa	D9/429
D. 358,091	5/1995	Warburton	D9/425 X
D. 364,090	11/1995	Krupa	D9/429
D. 371,964	7/1996	Krupa	D9/429
D. 373,726	9/1996	Power	D9/429
D. 374,820	10/1996	Knoss et al.	D9/429
D. 391,850	3/1998	Krupa et al.	D9/429
D. 393,801	4/1998	Hayes et al.	D9/429
1,454,639	5/1923	Haines	.	
1,595,356	8/1926	Moseman	.	
2,174,586	10/1939	Leppke	65/15
2,294,657	9/1942	Flanagan	65/15
3,261,458	7/1966	Nibecker	206/47
3,815,736	6/1974	Sedlak	206/511 X
3,938,688	2/1976	Ryan	220/23.8
4,061,241	12/1977	Retelny	206/511 X
4,225,052	9/1980	Tector et al.	220/22

4,314,650	2/1982	Cillario	220/23.83
4,351,164	9/1982	Christiani	62/315
4,874,083	10/1989	Antoni et al.	220/556 X
5,209,348	5/1993	Schafer, III	206/222
5,265,749	11/1993	Zutler	220/4.2 X
5,346,070	9/1994	McSpadden	206/561
5,353,952	10/1994	Donche	220/575
5,413,801	5/1995	McIlwain	426/420
5,441,164	8/1995	Beck et al.	220/575
5,529,794	6/1996	Fultz	426/115
5,862,977	1/1999	Hirano	229/4.5 X

OTHER PUBLICATIONS

Tenneco Packaging Cat , p. 96, 1996.
 "Advantages of OctaView," by De Ster Corporation, Atlanta, GA. undated.
 "Mini Trays with Shrimp in Mind: Combo Packs," by James L. Villa, Inc., Oldsmar, FL. undated.
 "Sea Food Better with Octa View™," by De Ster Corporation, Atlanta, Ga. undated.
 "Sho-Bowls™ Deli Containers," by UltraFresh™ Catalog, p. 18 (May 1995).
 "Shrimp Servers," by Ivex Packaging Corporation, Lincolnshire, IL. undated.
 "Welcome to De Ster's World of Octa View™," by De Ster Corporation, Atlanta, GA. undated.
 Analysis of Visual Quality Attributes of White Shrimp by Machine Vision, Diego Luzuriaga, Murat Balaban, Sencer Yeralan, vol. 62, No. 1, 1977 (Abstract).

Primary Examiner—Prabhakar Deshmukh
Attorney, Agent, or Firm—Arnold, White & Durkee

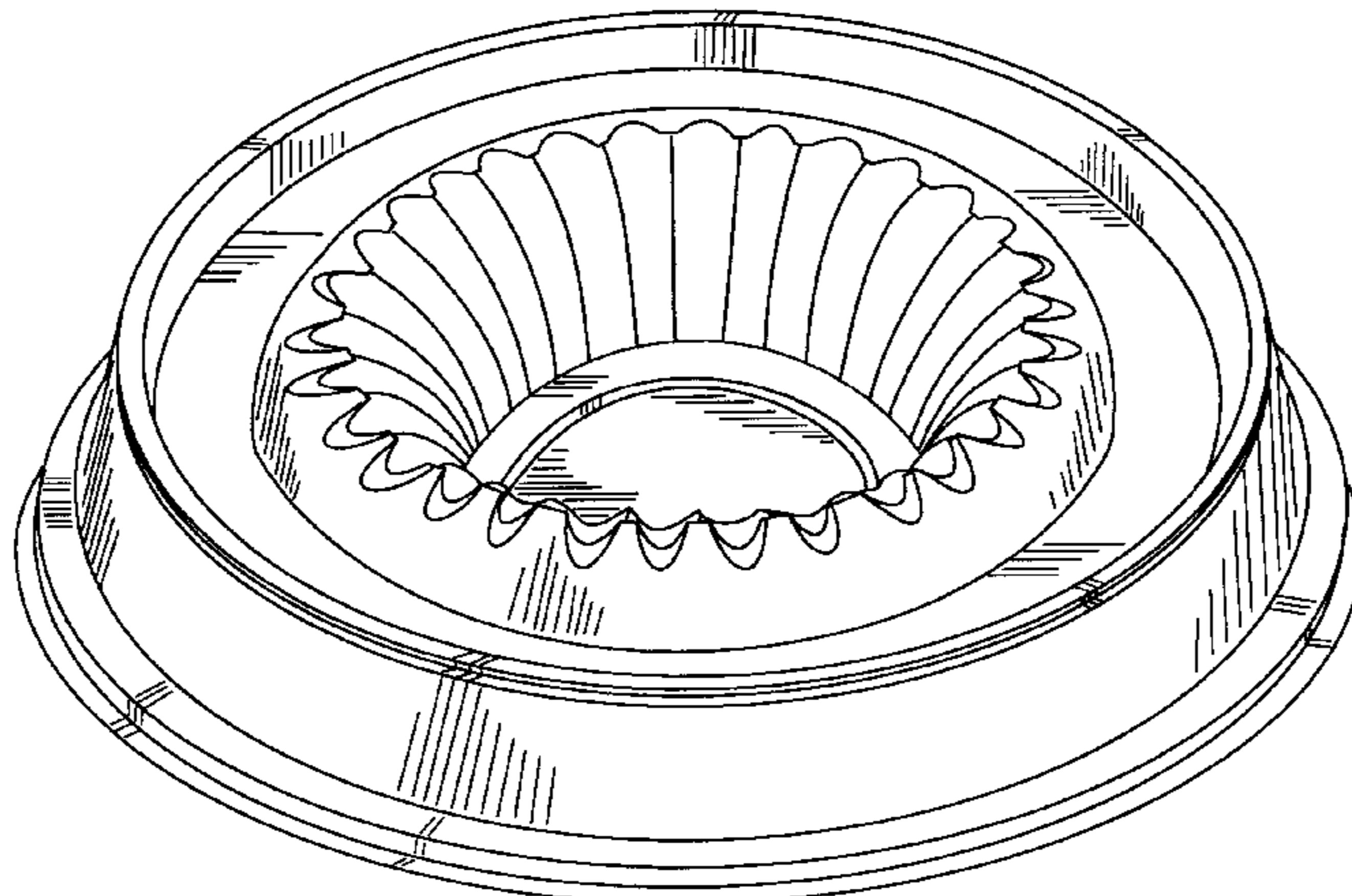
[57] **CLAIM**

The ornamental designs for a bottom for a food container, as shown.

DESCRIPTION

FIG. 1 is a perspective view of a bottom for a food container showing one embodiment of our new design;
 FIG. 2 is a top view;
 FIG. 3 is a bottom view;
 FIG. 4 is a side view;
 FIG. 5 is a perspective view of a bottom for a food container showing a second embodiment of our new design;
 FIG. 6 is a top view;
 FIG. 7 is a bottom view; and,
 FIG. 8 is a side view.

1 Claim, 8 Drawing Sheets



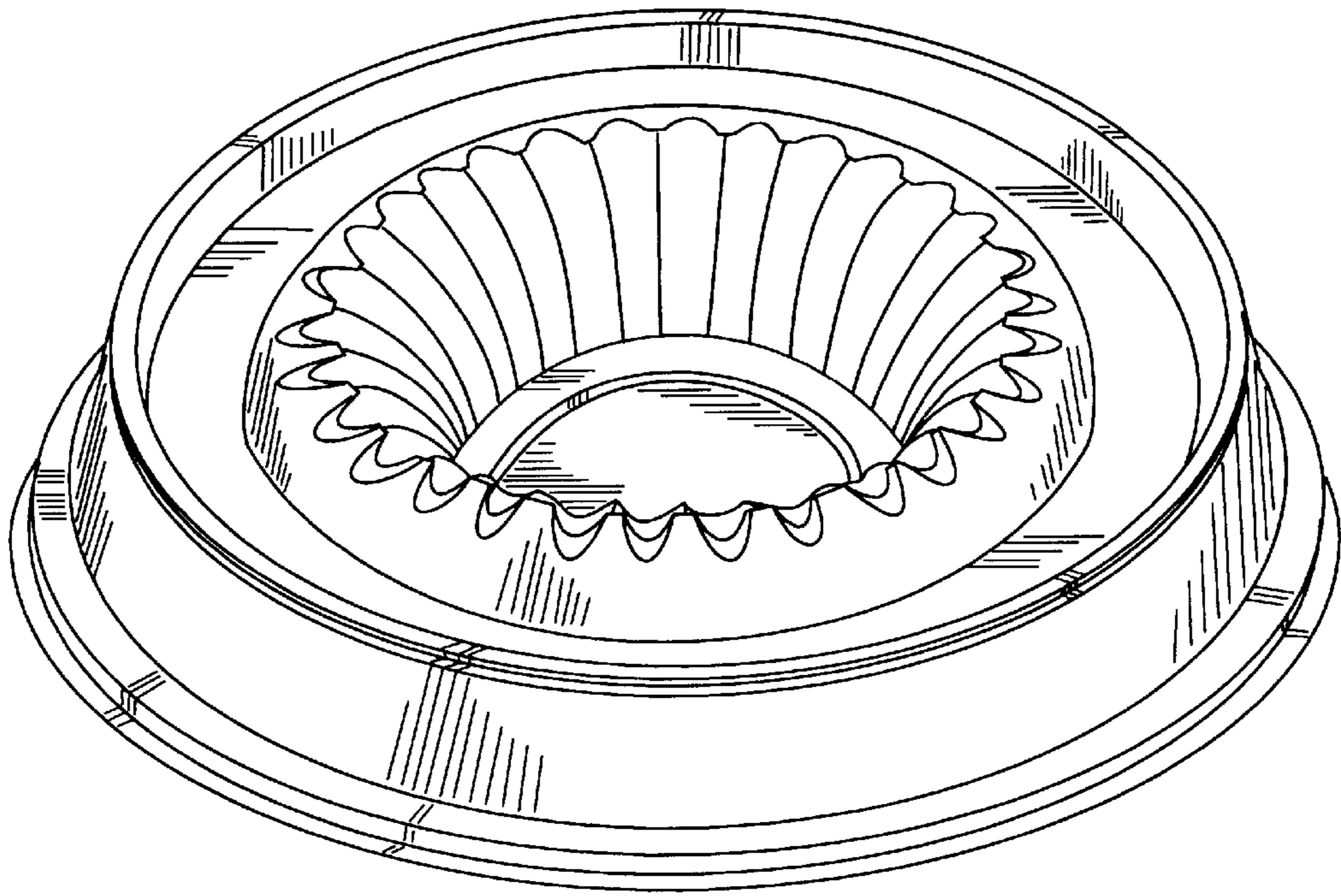


FIG 1

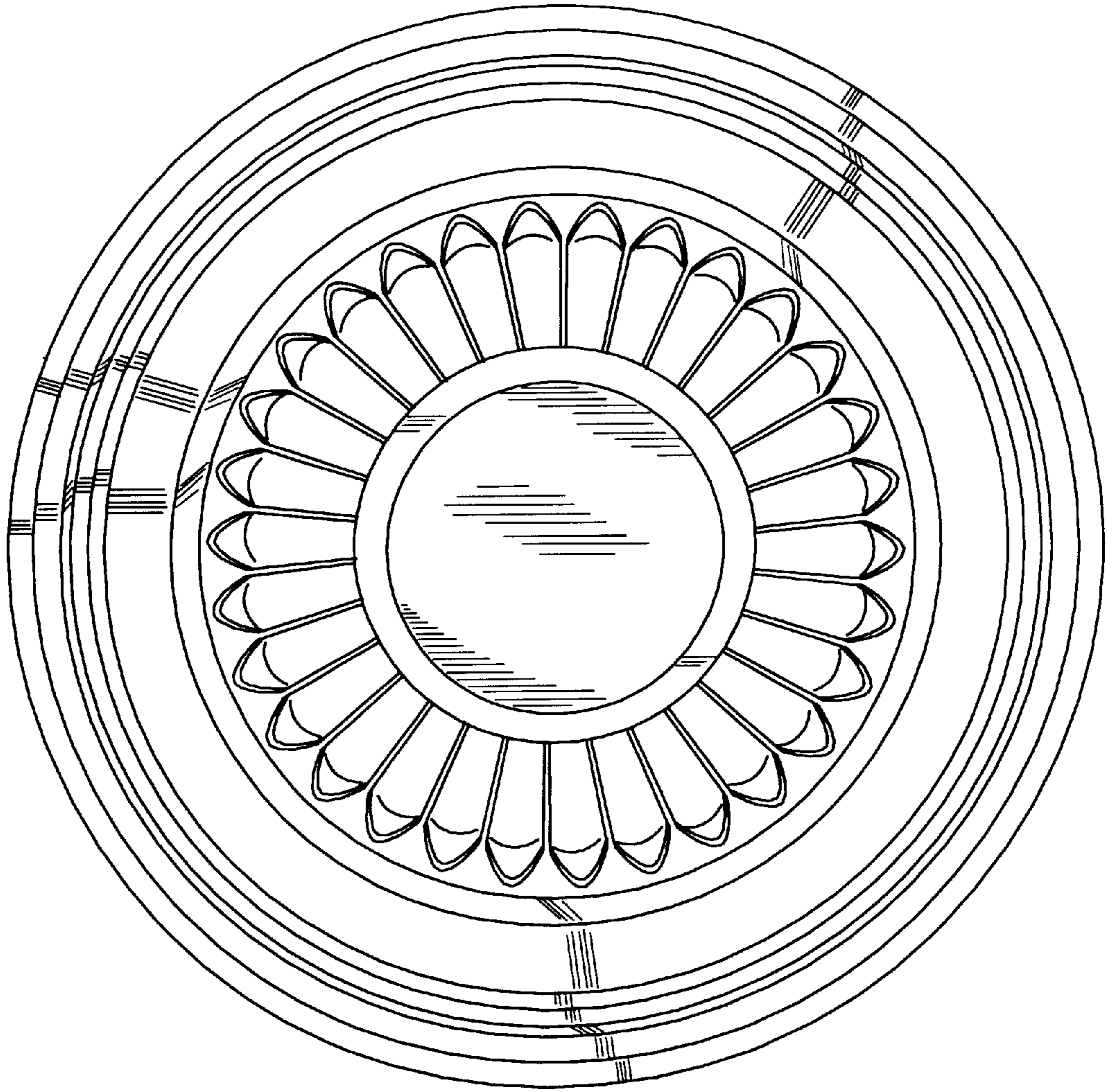


FIG 2

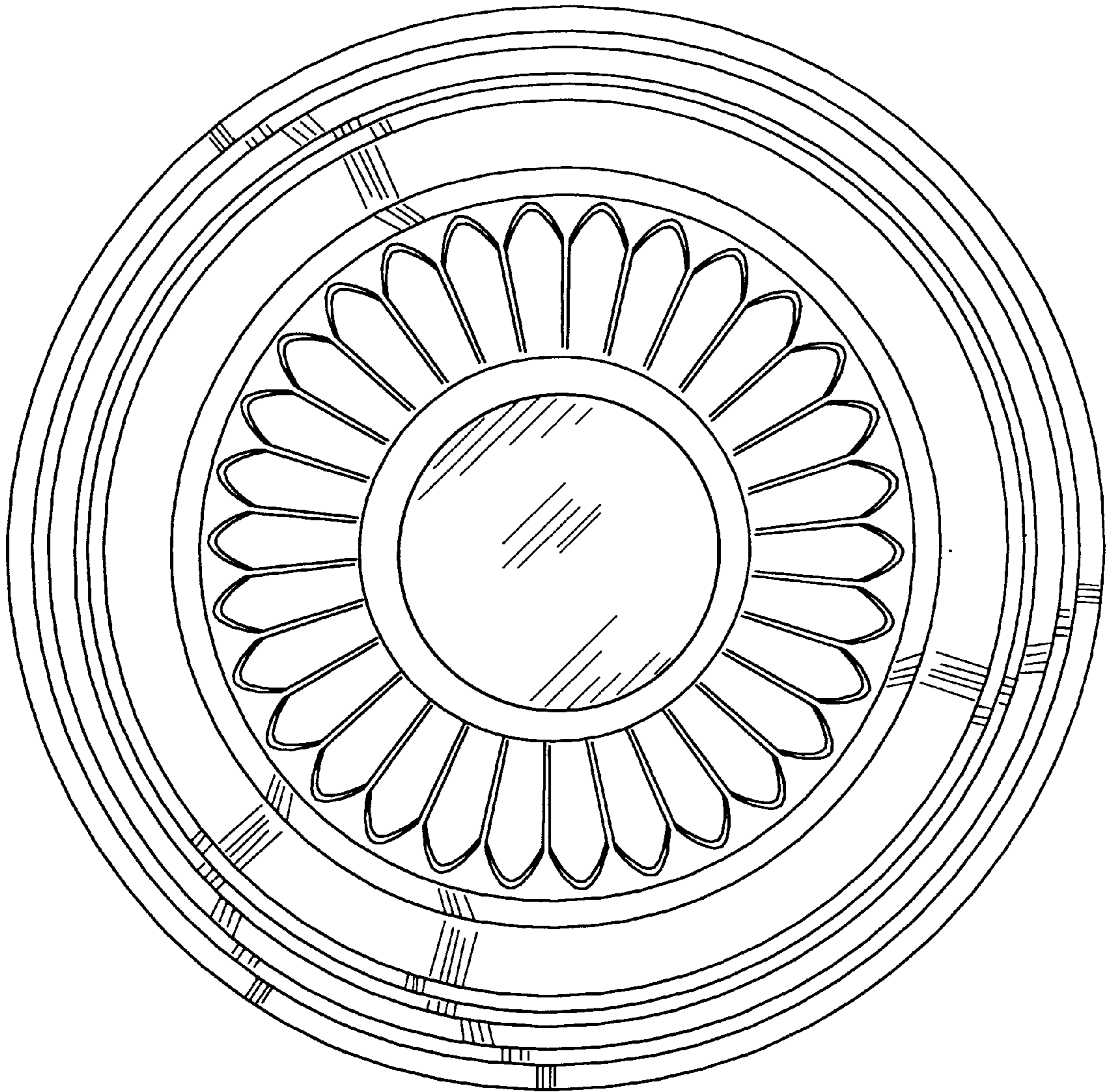


FIG 3

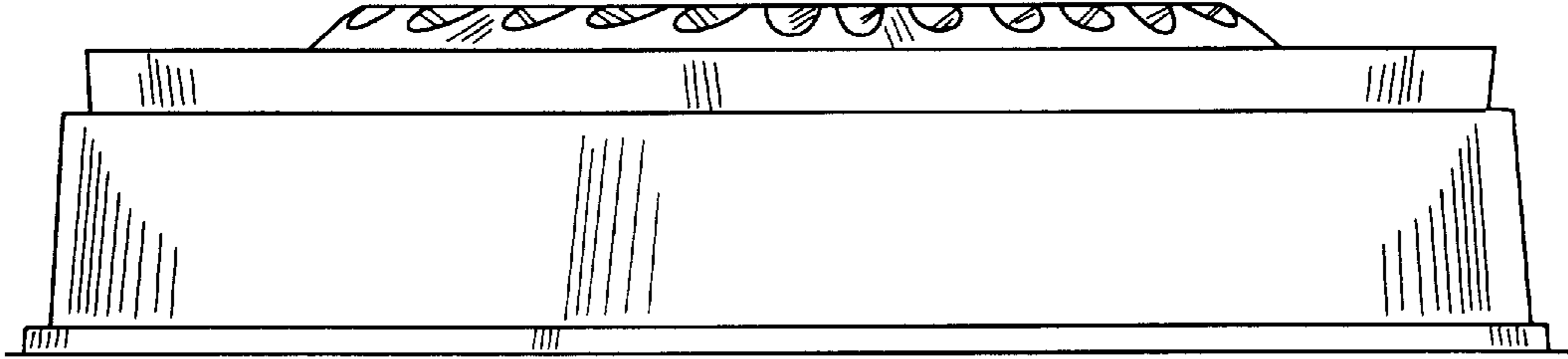


FIG 4

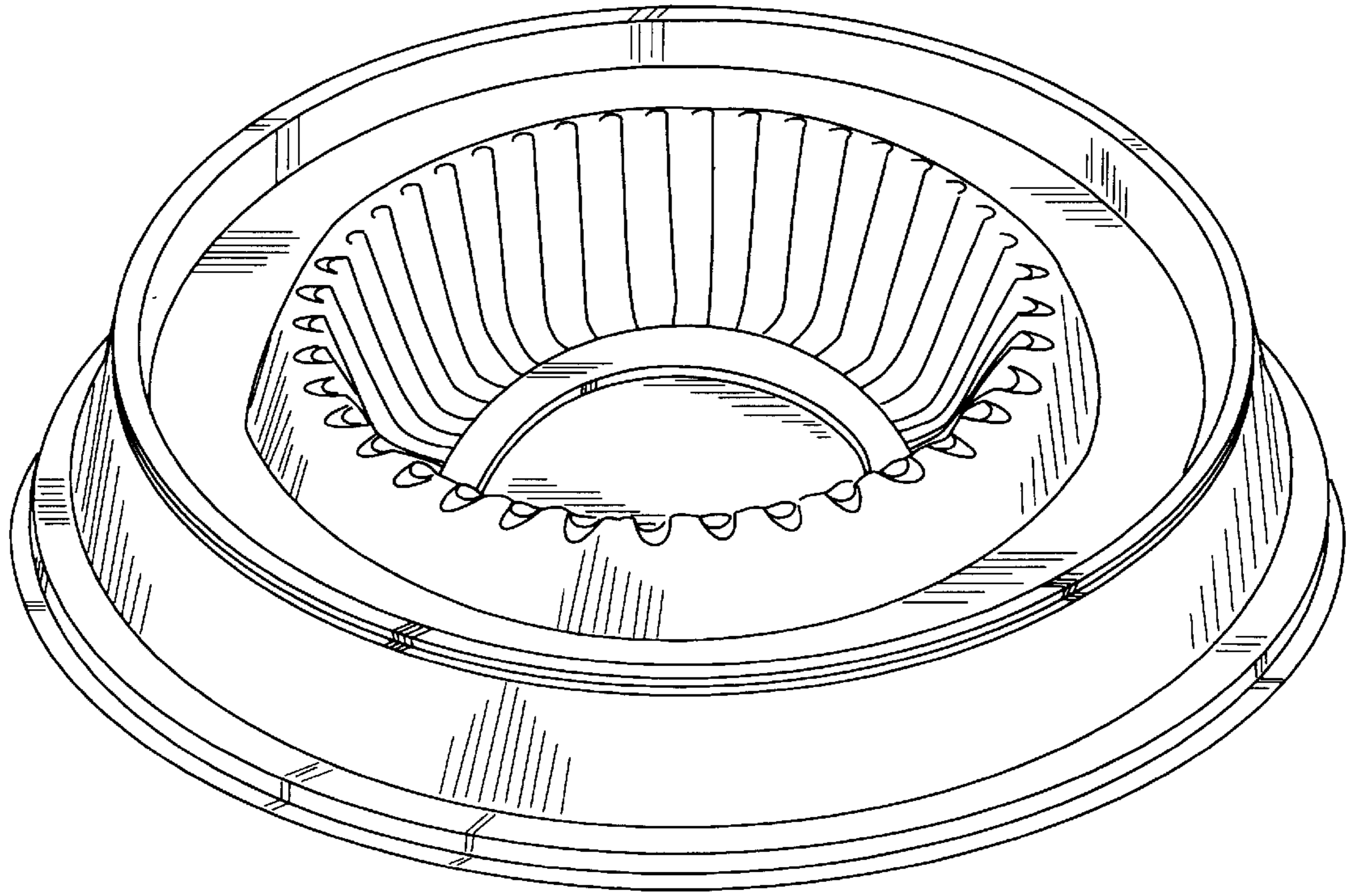


FIG 5

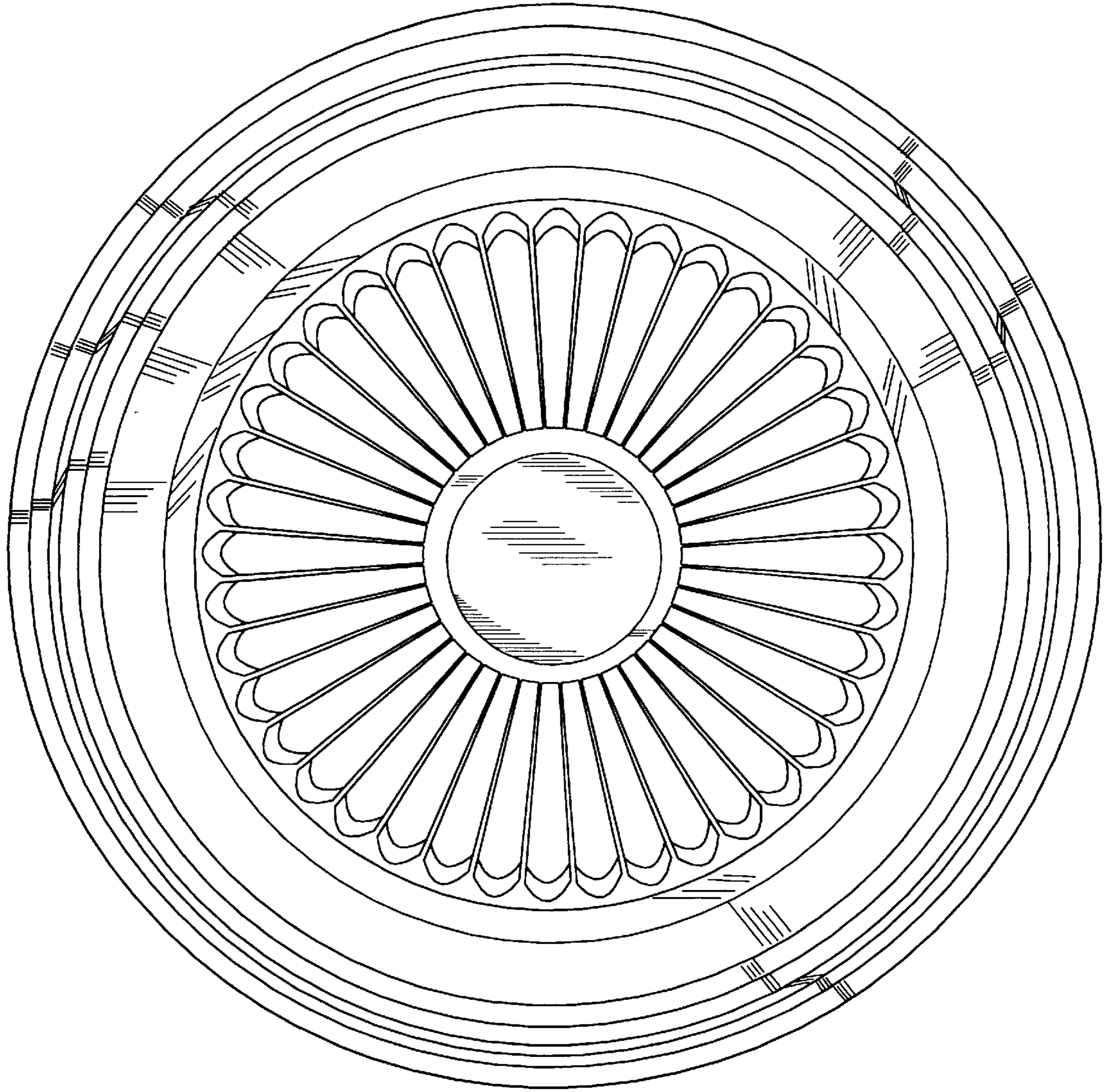


FIG 6

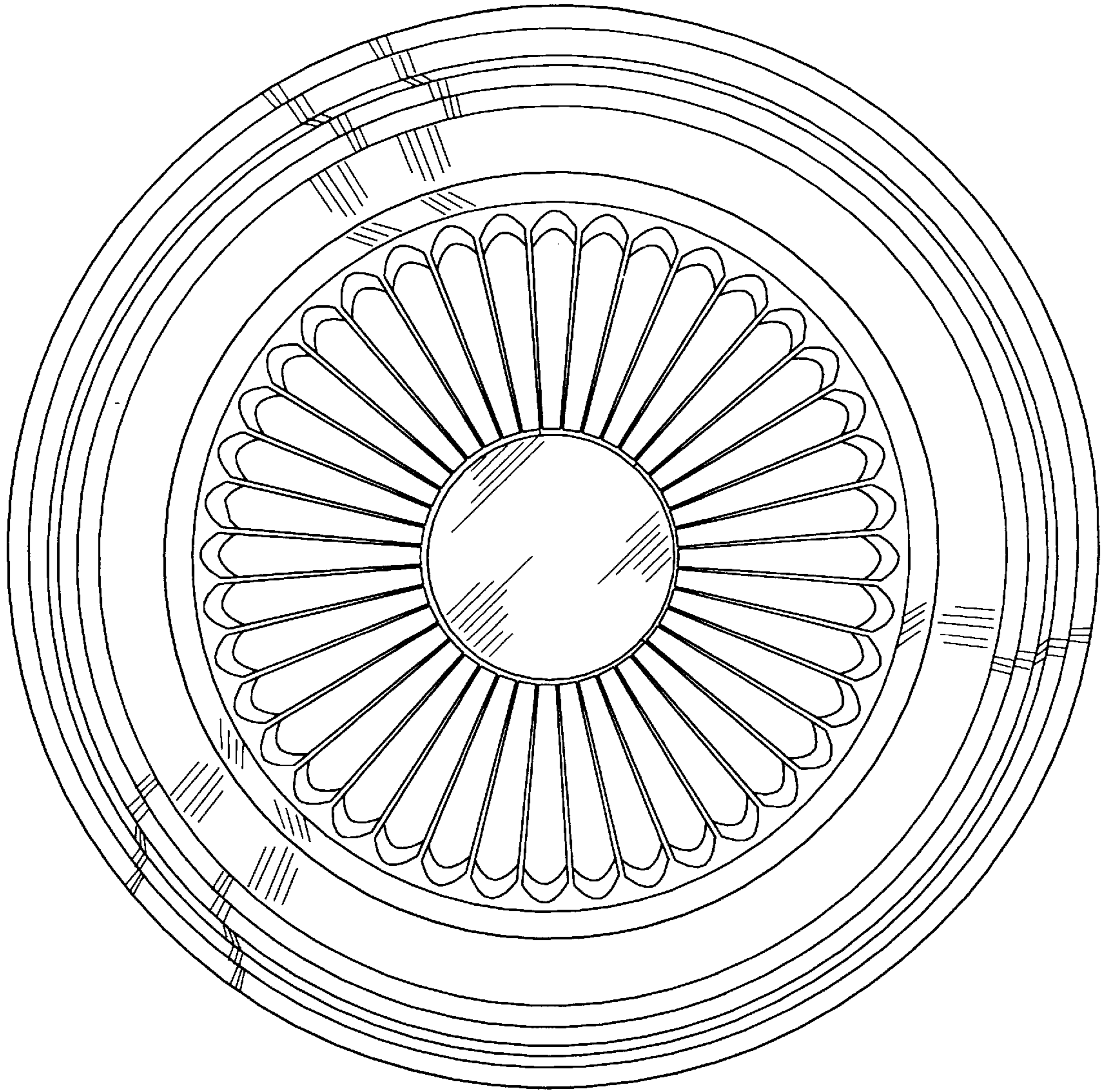


FIG 7

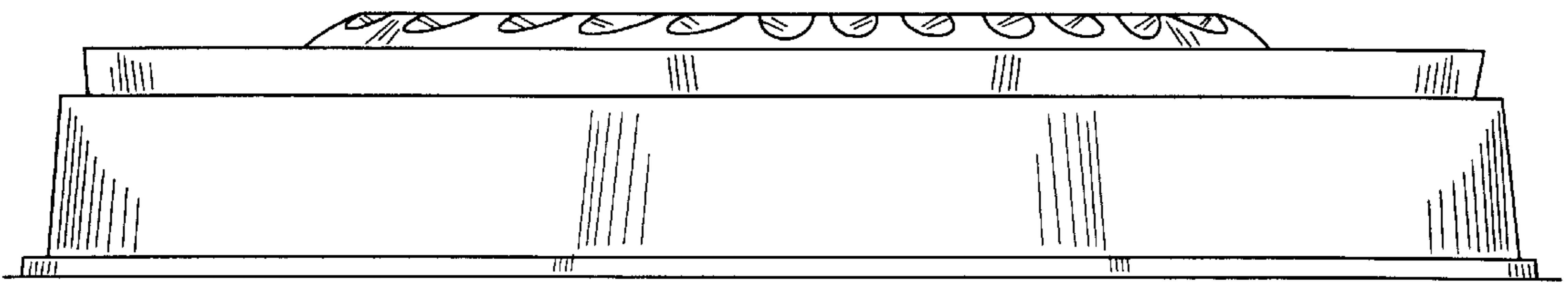


FIG 8