



US00D422899S

United States Patent [19]

[11] Patent Number: **Des. 422,899**

Kudo

[45] Date of Patent: **** Apr. 18, 2000**

[54] **COMBINED PERFUME BOTTLE AND CAP**

[57] **CLAIM**

[75] Inventor: **Aoshi Kudo**, Tokyo, Japan

The ornamental design for a combined perfume bottle and cap, as shown and described.

[73] Assignee: **Shiseido Co., Ltd.**, Tokyo, Japan

[**] Term: **14 Years**

DESCRIPTION

[21] Appl. No.: **29/075,197**

FIG. 1 is a front elevation of a combined perfume bottle and cap showing my new design;

[22] Filed: **Aug. 22, 1997**

FIG. 2 is a right side view thereof, the left side view being symmetrical to the right side view;

[51] **LOC (6) Cl.** **09-01**

[52] **U.S. Cl.** **D9/300; D9/521; D9/522; D9/529**

FIG. 3 is a top plan view thereof, the bottom plan view being symmetrical to the top plan view;

[58] **Field of Search** **D9/529, 300, 521, D9/522; 215/382; 222/321.1-321.9**

FIG. 4 is a front view thereof in which a cap is shown removed;

[56] **References Cited**

U.S. PATENT DOCUMENTS

| | | | | |
|------------|--------|----------------|-------|-----------|
| D. 214,019 | 5/1969 | Newman | | D9/521 |
| D. 285,052 | 8/1986 | Bianchi et al. | | D9/521 |
| D. 339,746 | 9/1993 | Bunce et al. | | D9/529 |
| D. 345,500 | 3/1994 | Wacker | | D9/529 |
| D. 383,972 | 9/1997 | Weiss | | D9/300 |
| 2,625,292 | 1/1953 | Spender | . | |
| 5,873,491 | 2/1999 | Garcia | | 222/321.7 |

FIG. 5 is a perspective view thereof; and,

FIG. 6 is a perspective view thereof in which the cap is shown separated.

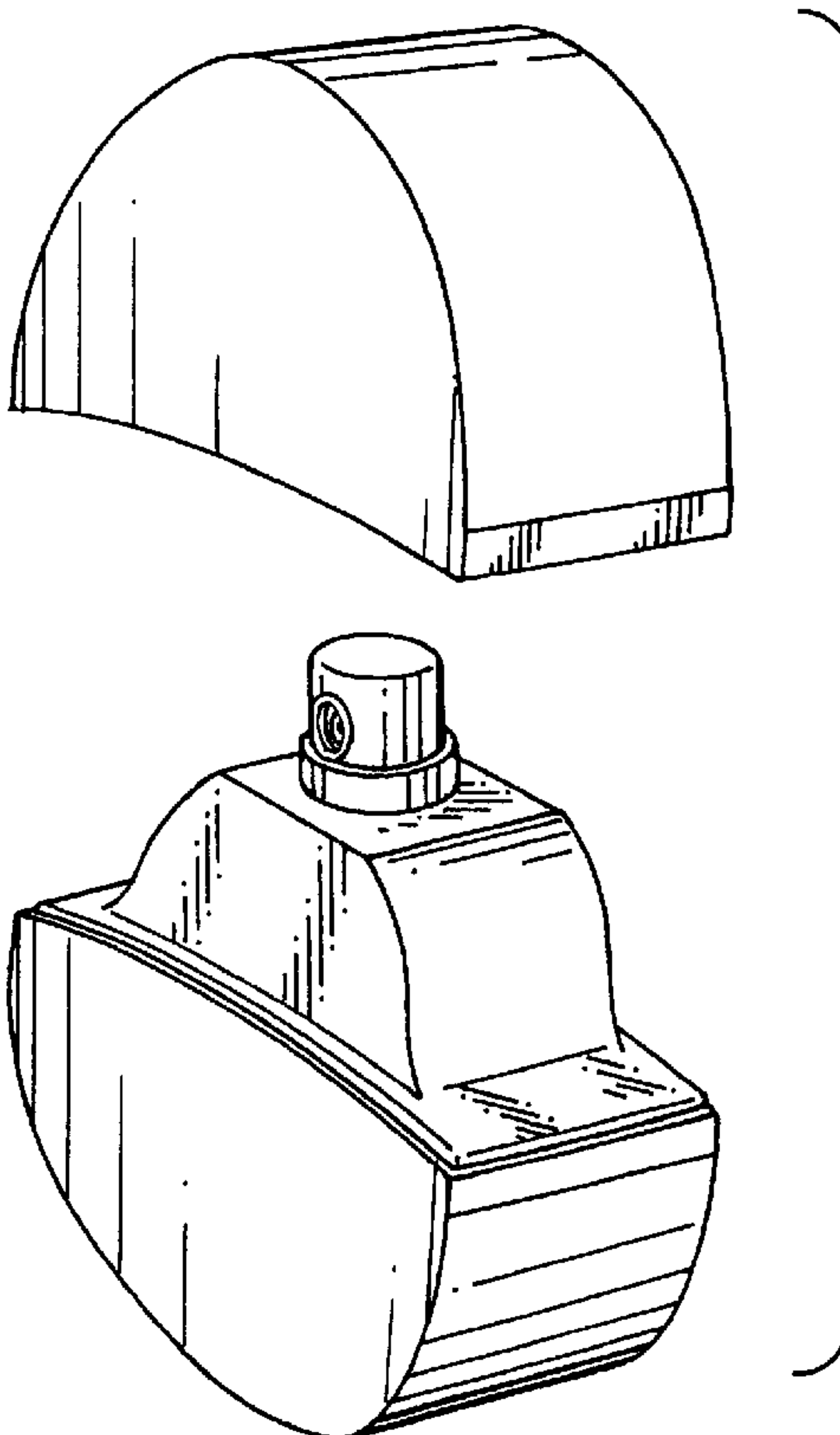
OTHER PUBLICATIONS

Beauty Fashion, p. 93, "Silences" bottle, Mar. 1984.

Primary Examiner—Lucy Lieberman

Attorney, Agent, or Firm—Kanesaka & Takeuchi

1 Claim, 2 Drawing Sheets



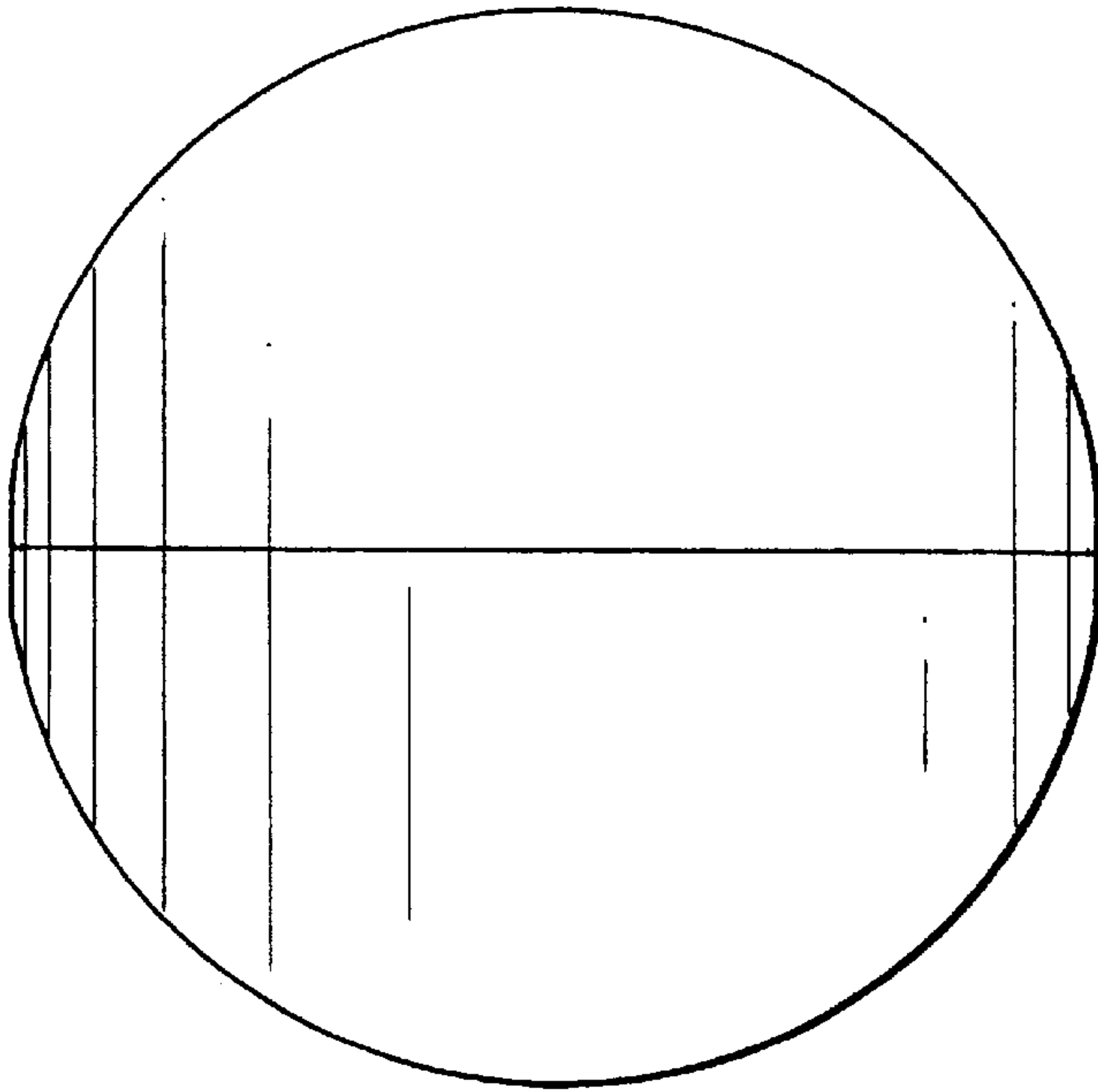


FIG. 1

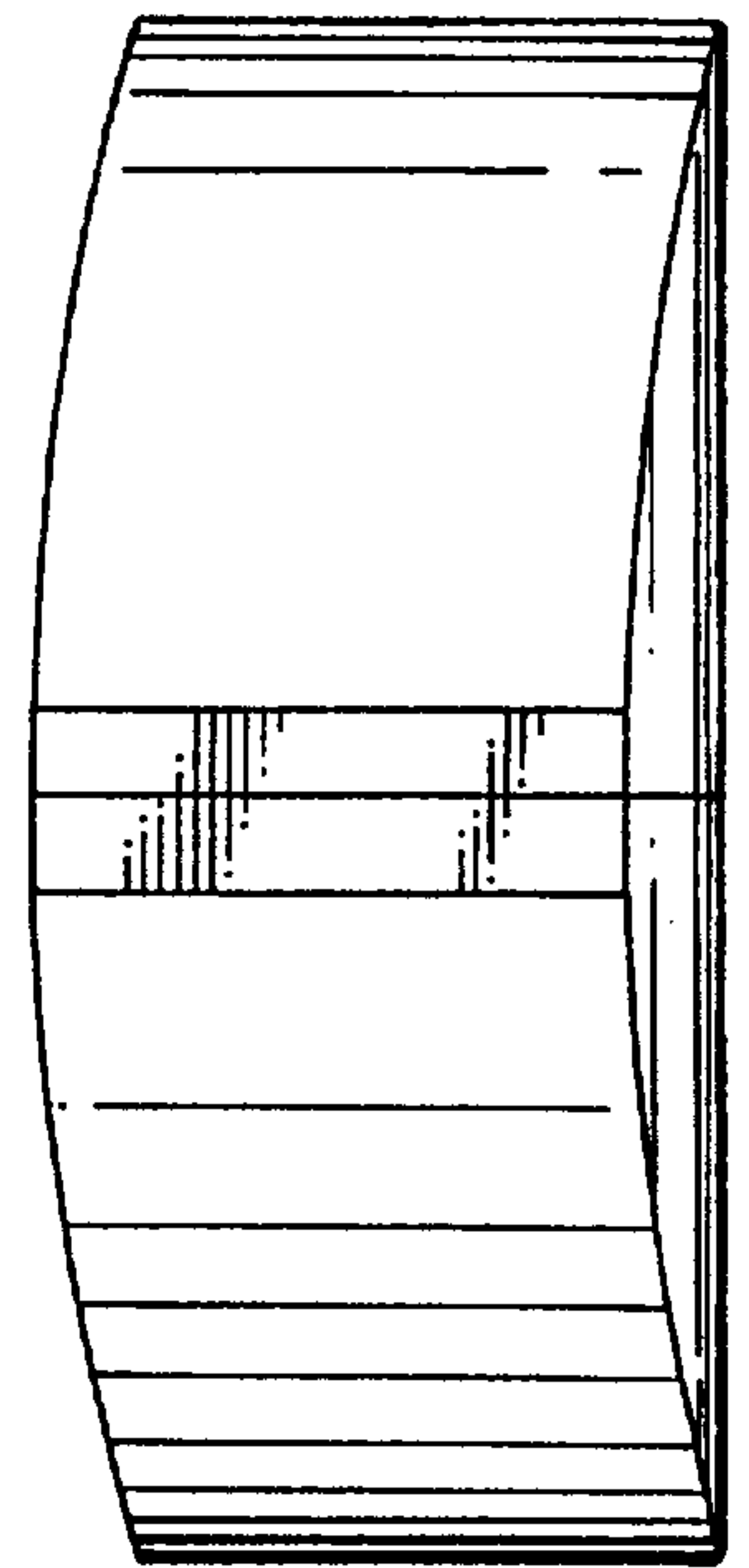


FIG. 2

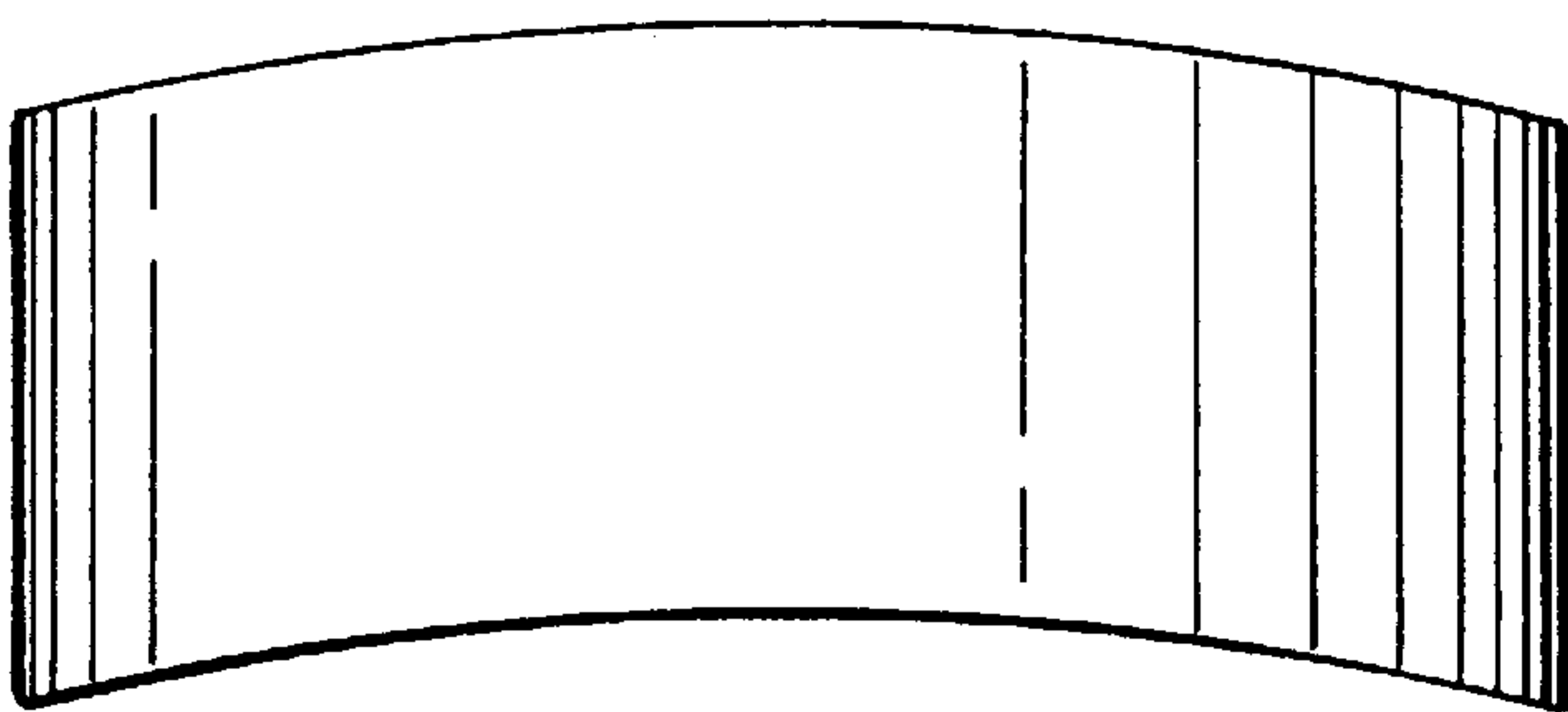


FIG. 3

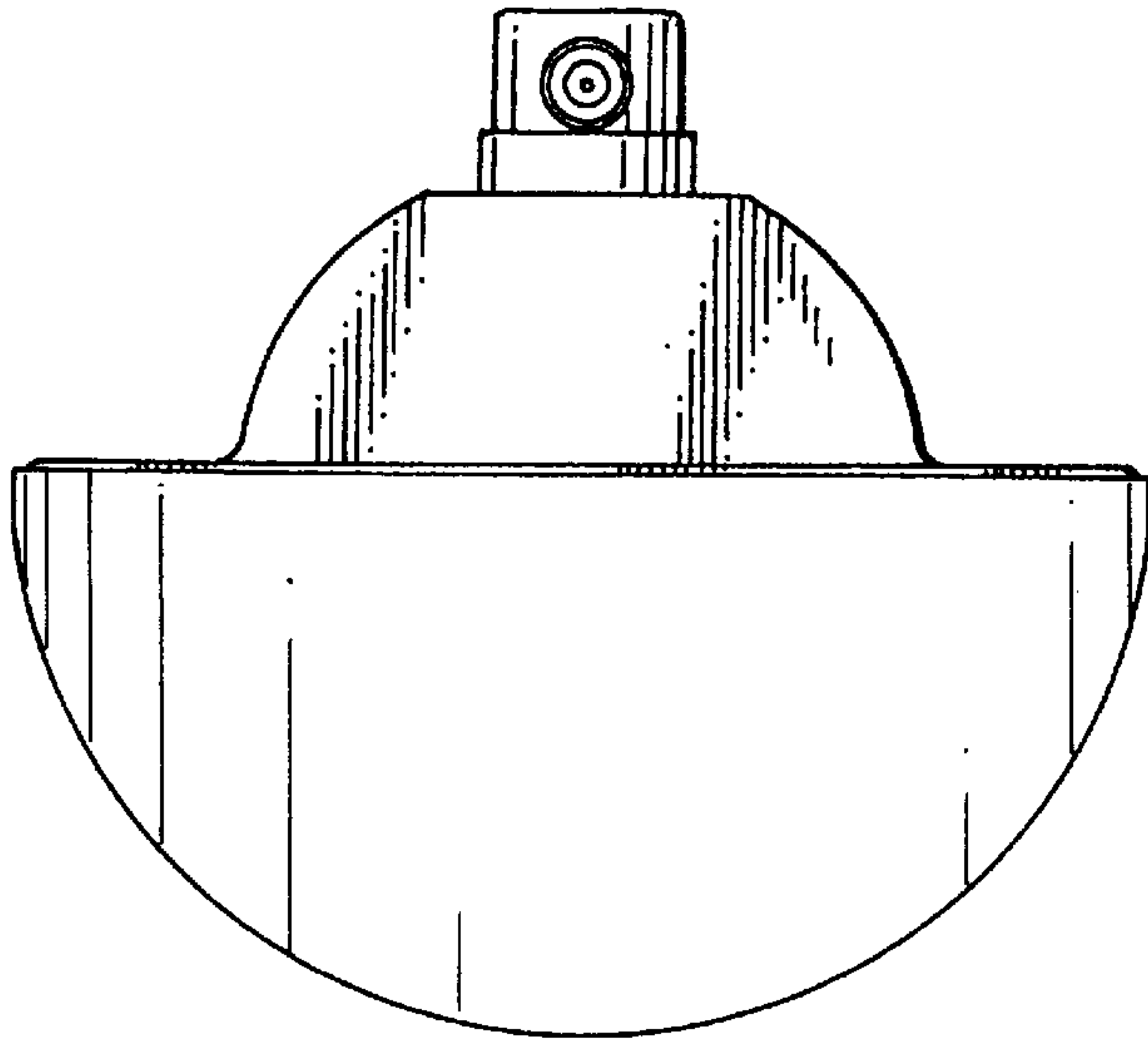


FIG. 4

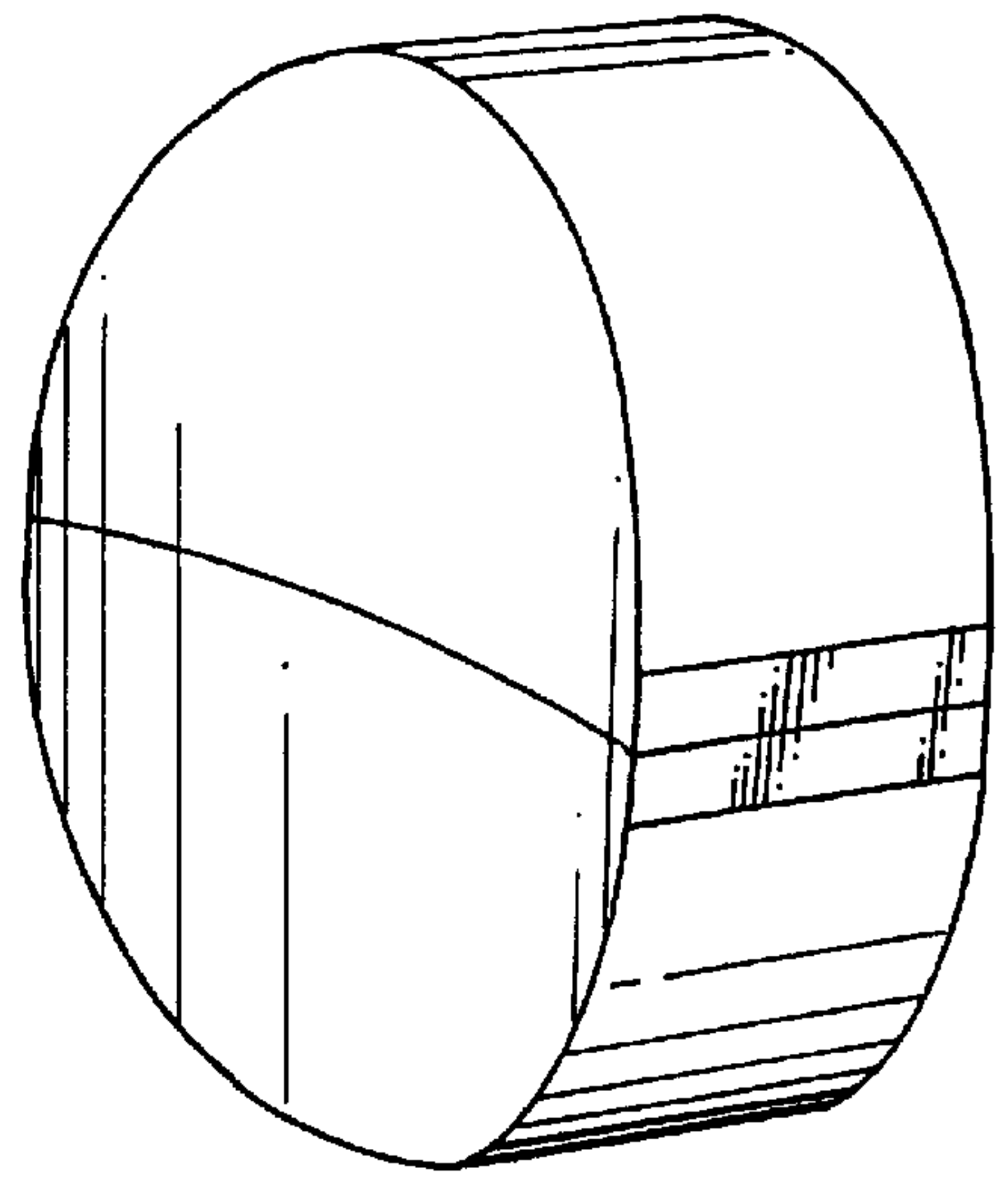


FIG. 5

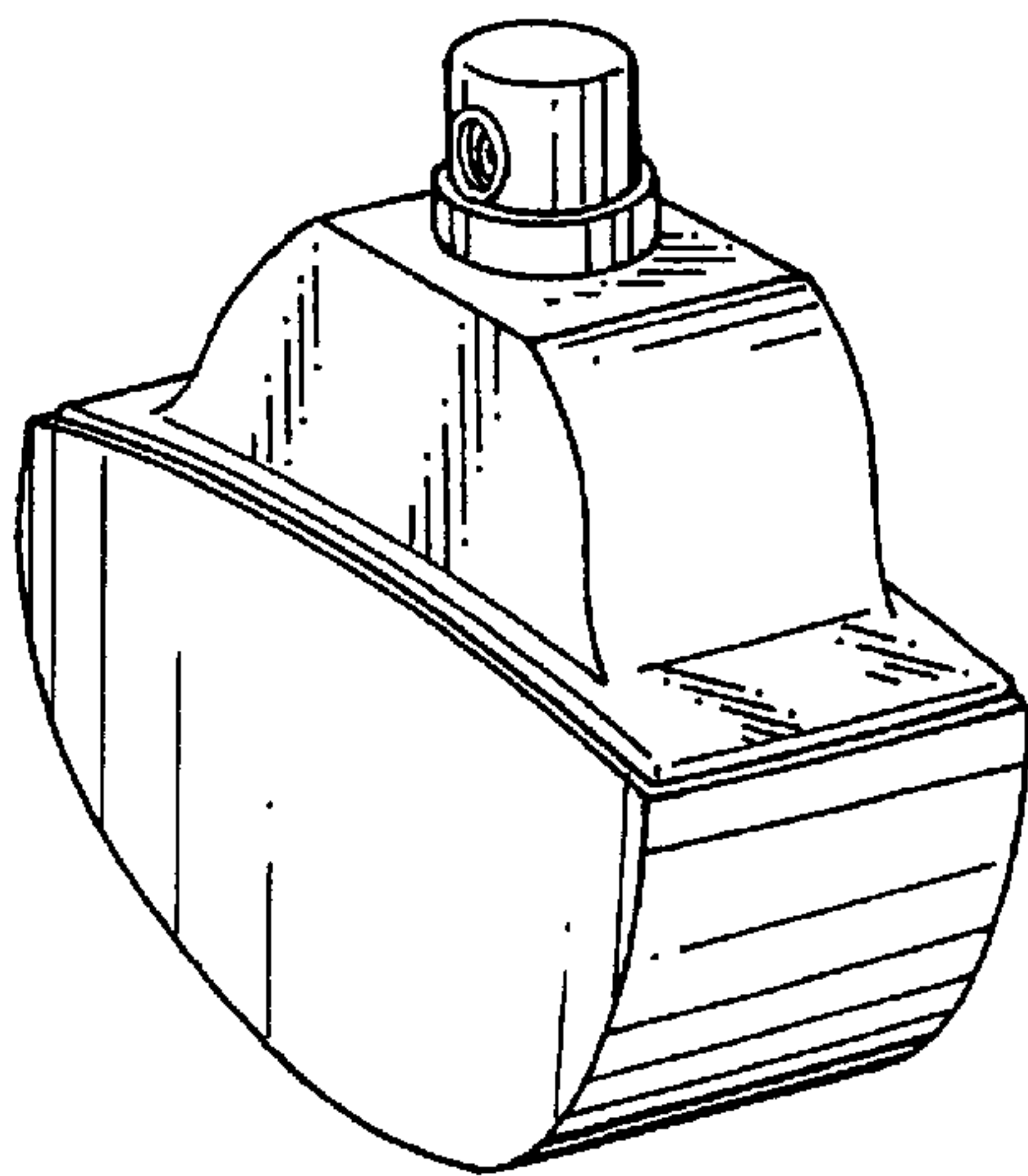
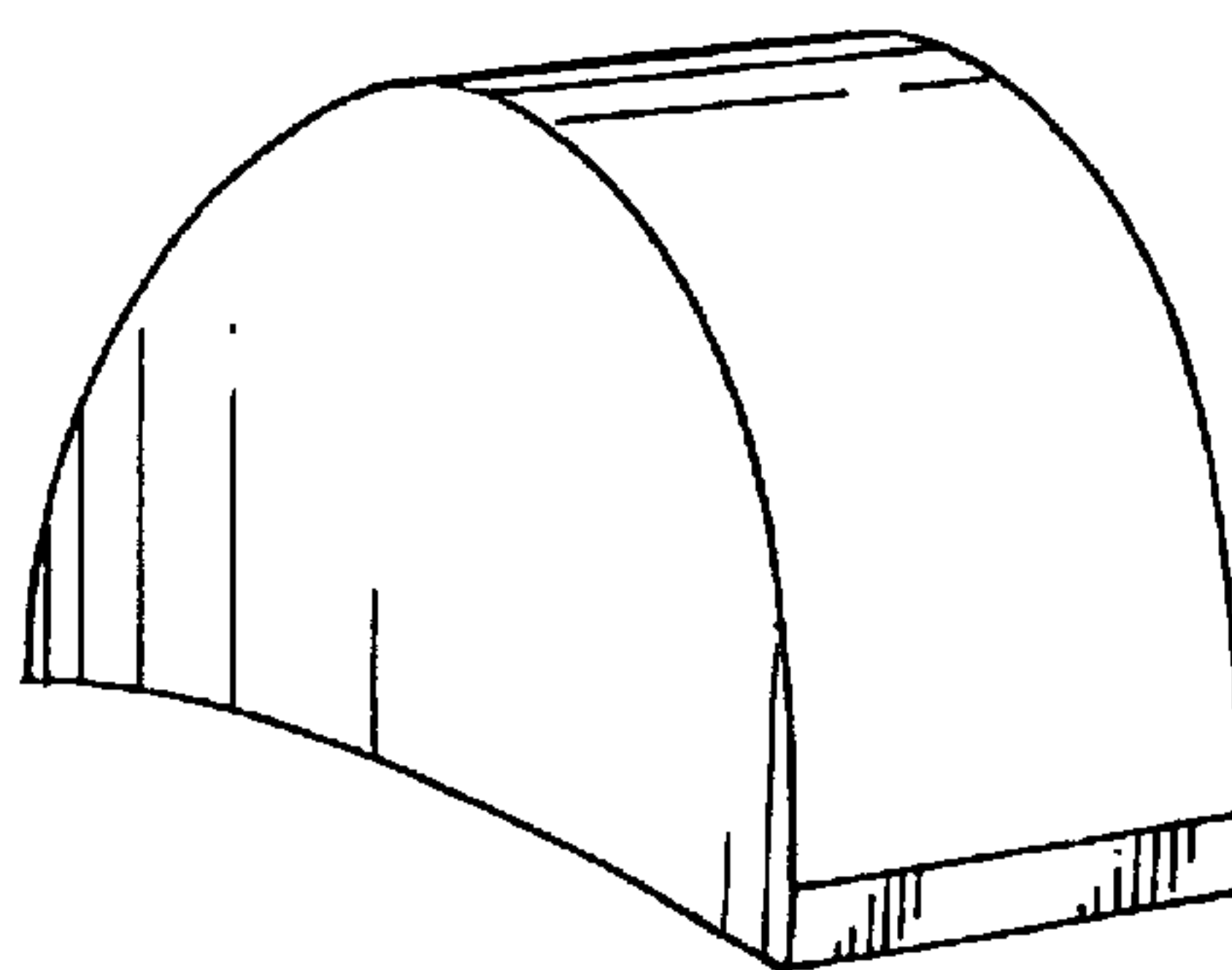


FIG. 6