



US00D422896S

**United States Patent** [19]  
**Holzinger**

[11] **Patent Number: Des. 422,896**

[45] **Date of Patent: \*\* Apr. 18, 2000**

[54] **FASTENER**

D. 381,892 8/1997 Porter et al. .... D8/387  
5,575,122 11/1996 Hamilton et al. .... D8/388 X

[76] Inventor: **Alois Holzinger**, Reichsstrasse 34,  
A-6800 Feldkirch, Austria

*Primary Examiner*—Holly Baynham  
*Attorney, Agent, or Firm*—Friedrich Kueffner

[\*\*] Term: **14 Years**

[57] **CLAIM**

[21] Appl. No.: **29/083,652**

The ornamental design for a fastener, as shown and described.

[22] Filed: **Feb. 13, 1998**

[30] **Foreign Application Priority Data**

**DESCRIPTION**

Sep. 4, 1997 [AT] Austria ..... MU3395/97  
Sep. 4, 1997 [AT] Austria ..... MU3396/97

FIG. 1 is a perspective front view of a fastener showing my new design;

[51] **LOC (6) Cl. .... 08-08**

FIG. 2 is a top view;

[52] **U.S. Cl. .... D8/387**

FIG. 3 is a bottom view, on a larger scale;

[56] **References Cited**

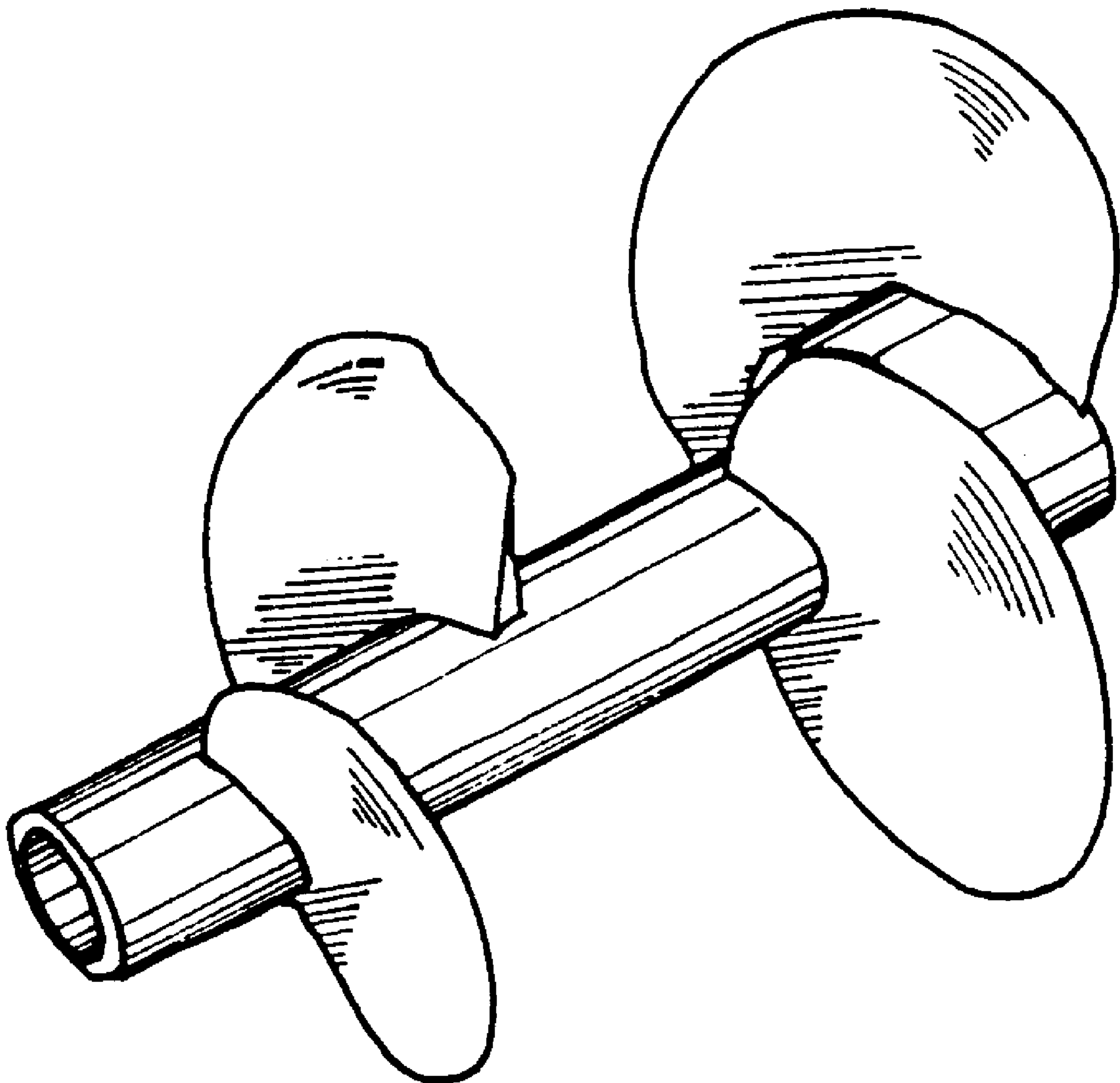
FIG. 4 is a side view; and,

FIG. 5 is an opposite side view.

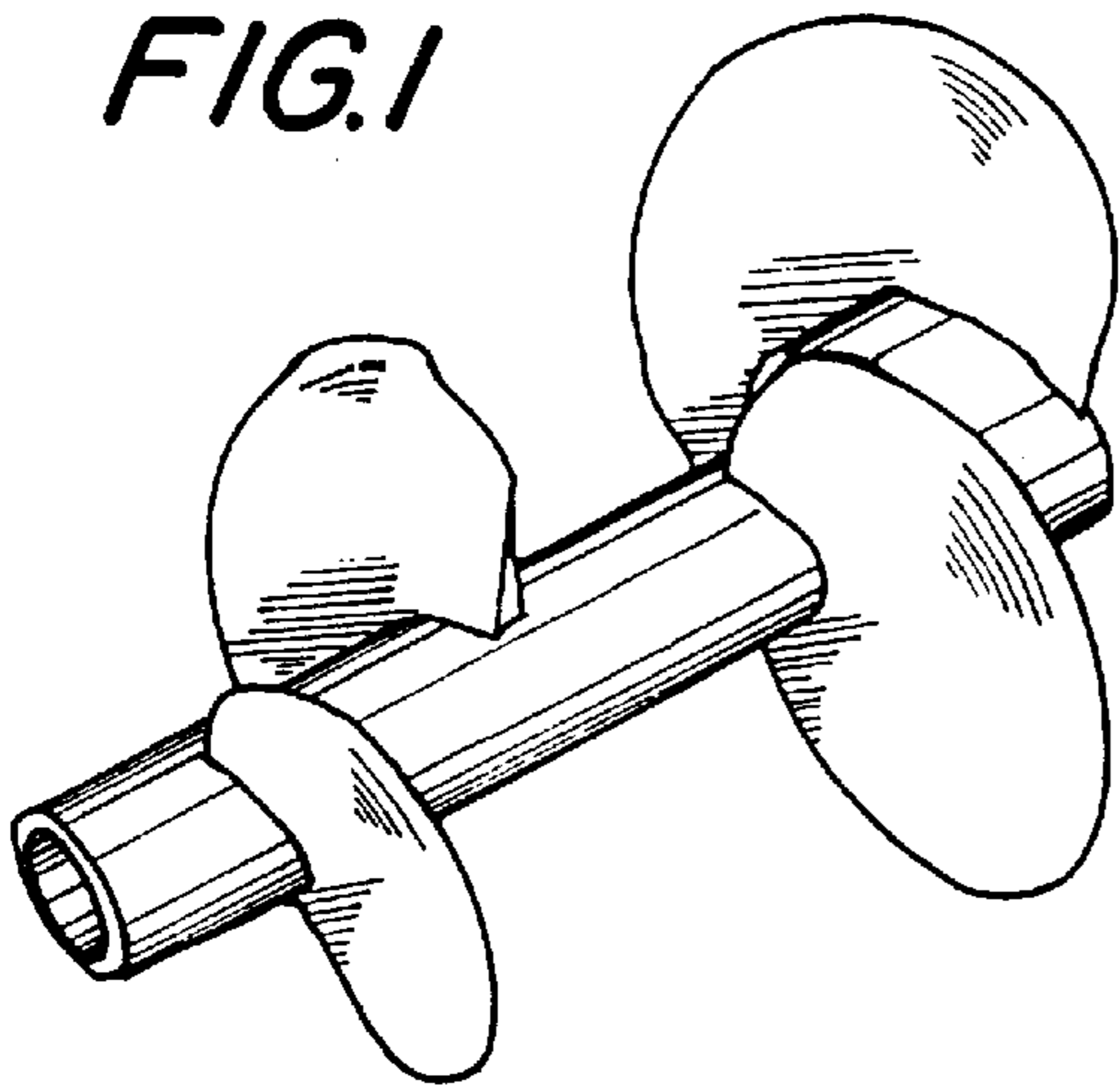
**U.S. PATENT DOCUMENTS**

D. 378,052 2/1997 Perreault ..... D8/387

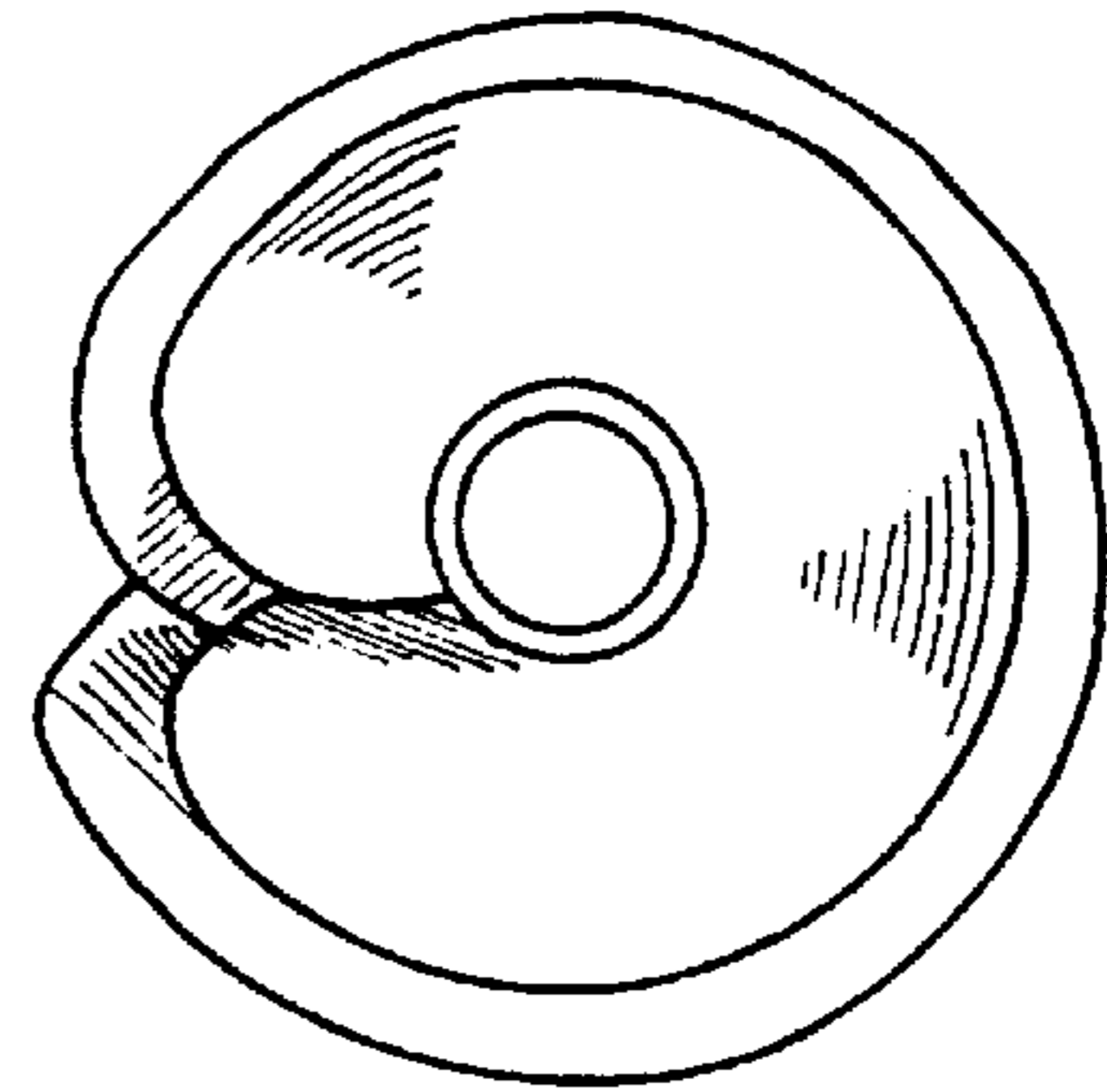
**1 Claim, 1 Drawing Sheet**



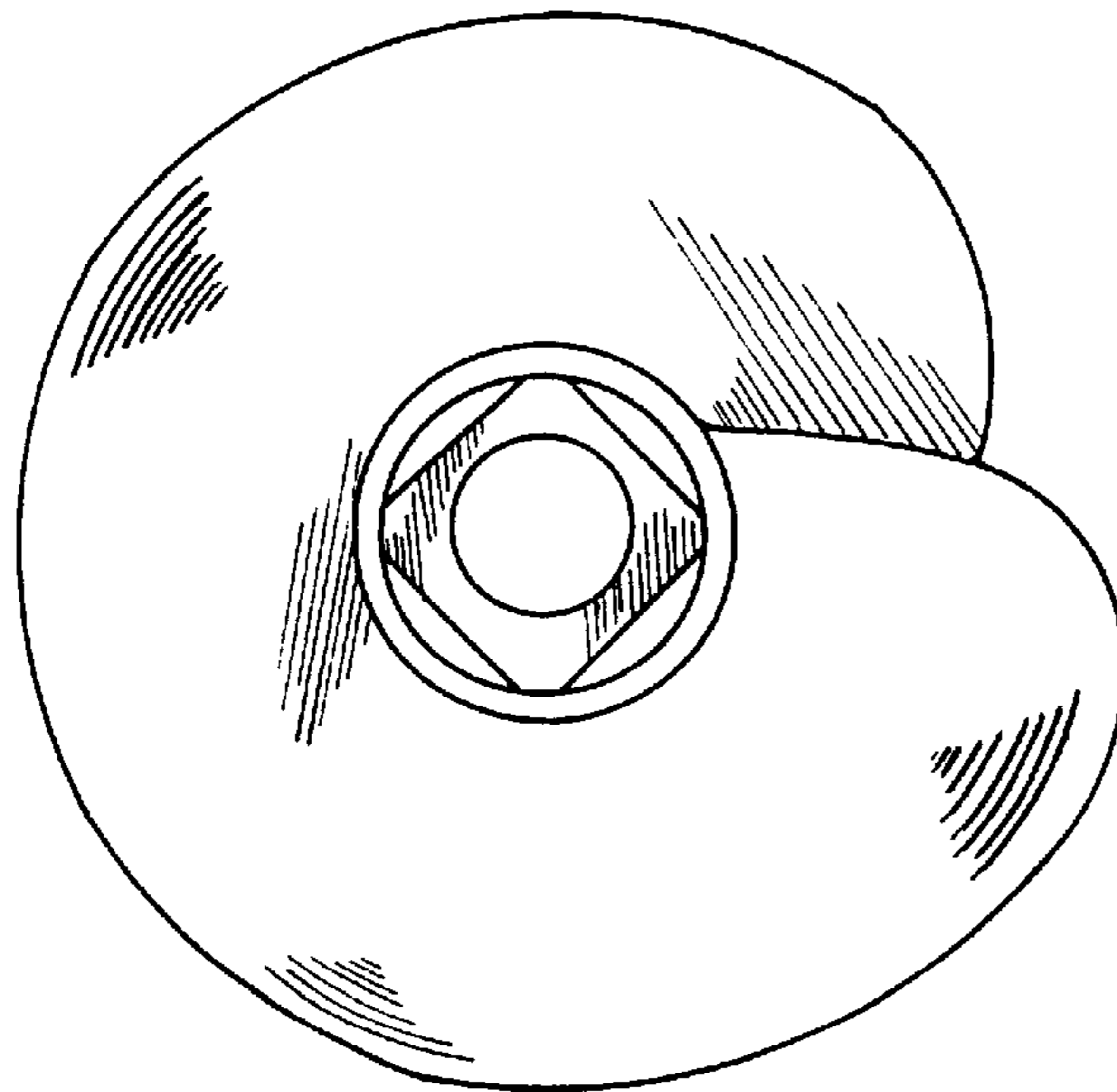
*FIG. 1*



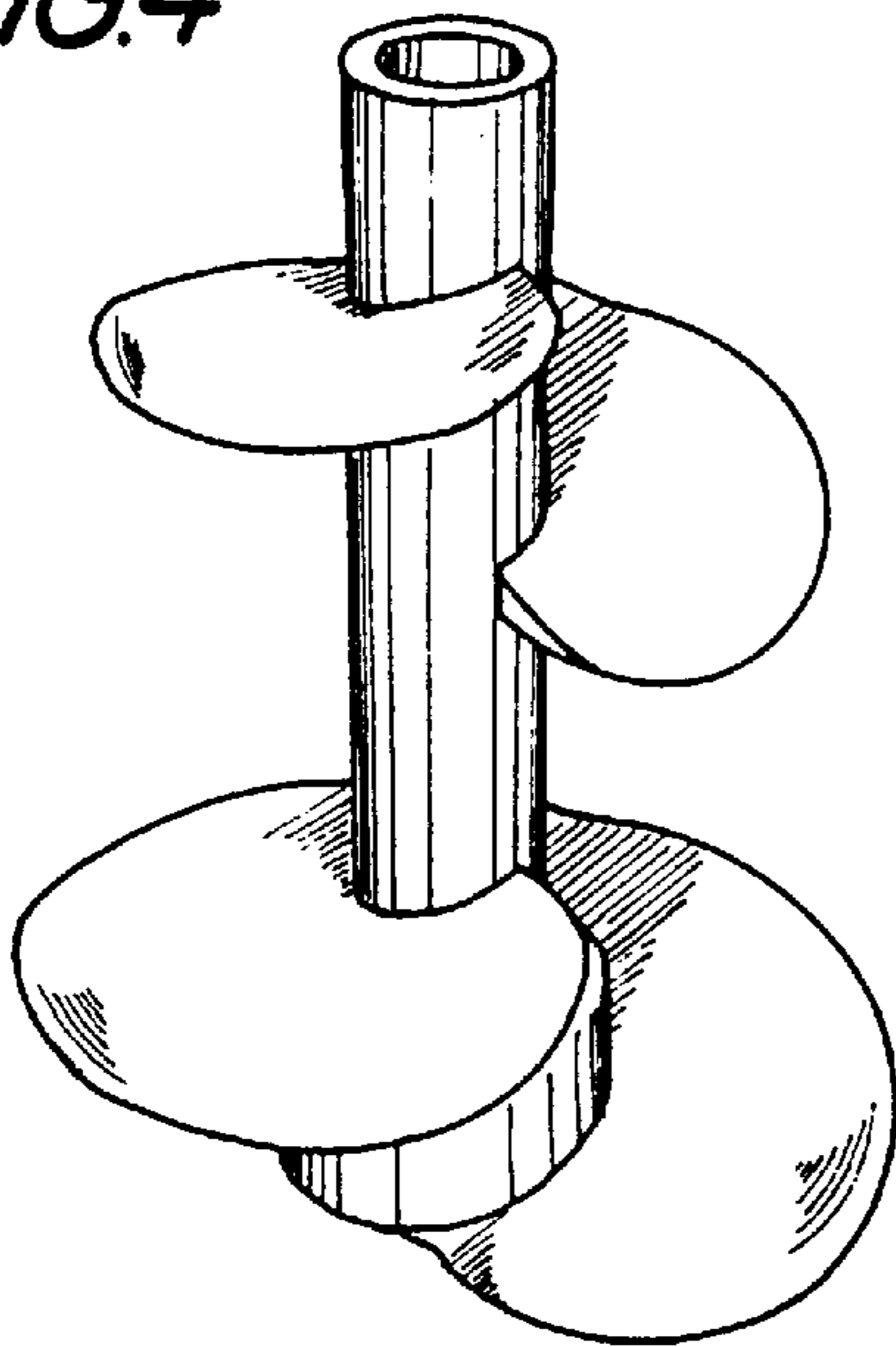
*FIG. 2*



*FIG. 3*



*FIG. 4*



*FIG. 5*

