



US00D422895S

United States Patent [19]
Yoshiguchi

[11] **Patent Number: Des. 422,895**

[45] **Date of Patent: ** Apr. 18, 2000**

[54] **BUCKLE FOR STRAP**

Attorney, Agent, or Firm—Kanesaka & Takeuchi

[75] Inventor: **Manabu Yoshiguchi**, Yokohama, Japan

[57] **CLAIM**

[73] Assignee: **Nifco Inc.**, Yokohama, Japan

The ornamental design for a buckle for strap, as shown and described.

[**] Term: **14 Years**

DESCRIPTION

[21] Appl. No.: **29/100,697**

FIG. 1 is a front view of a buckle for strap showing my new design, the rear view being symmetrical to the front view; FIG. 2 is a top plan view thereof, the bottom plan view being identical to the top plan view;

[22] Filed: **Feb. 16, 1999**

FIG. 3 is a right side view thereof;

[30] **Foreign Application Priority Data**

Aug. 21, 1998 [JP] Japan 10-23700

FIG. 4 is a left side view thereof;

[51] **LOC (6) Cl.** **08-08**

FIG. 5 is a cross sectional view taken along line 5—5 in FIG. 1;

[52] **U.S. Cl.** **D8/383**

[58] **Field of Search** D8/382–383; 24/115 G, 24/136 R, 115 H, 336, 339; D2/978; D11/212

FIG. 6 is a front view of a male member of the buckle for strap shown separately for convenience of illustration;

[56] **References Cited**

U.S. PATENT DOCUMENTS

D. 343,570 1/1994 Meier D8/383

D. 373,076 8/1996 Ikeda D8/383

D. 399,045 10/1998 Liston D8/383 X

FIG. 7 is a top plan view thereof;

FIG. 8 is a front view of a female member of the buckle for strap shown separately for convenience of illustration;

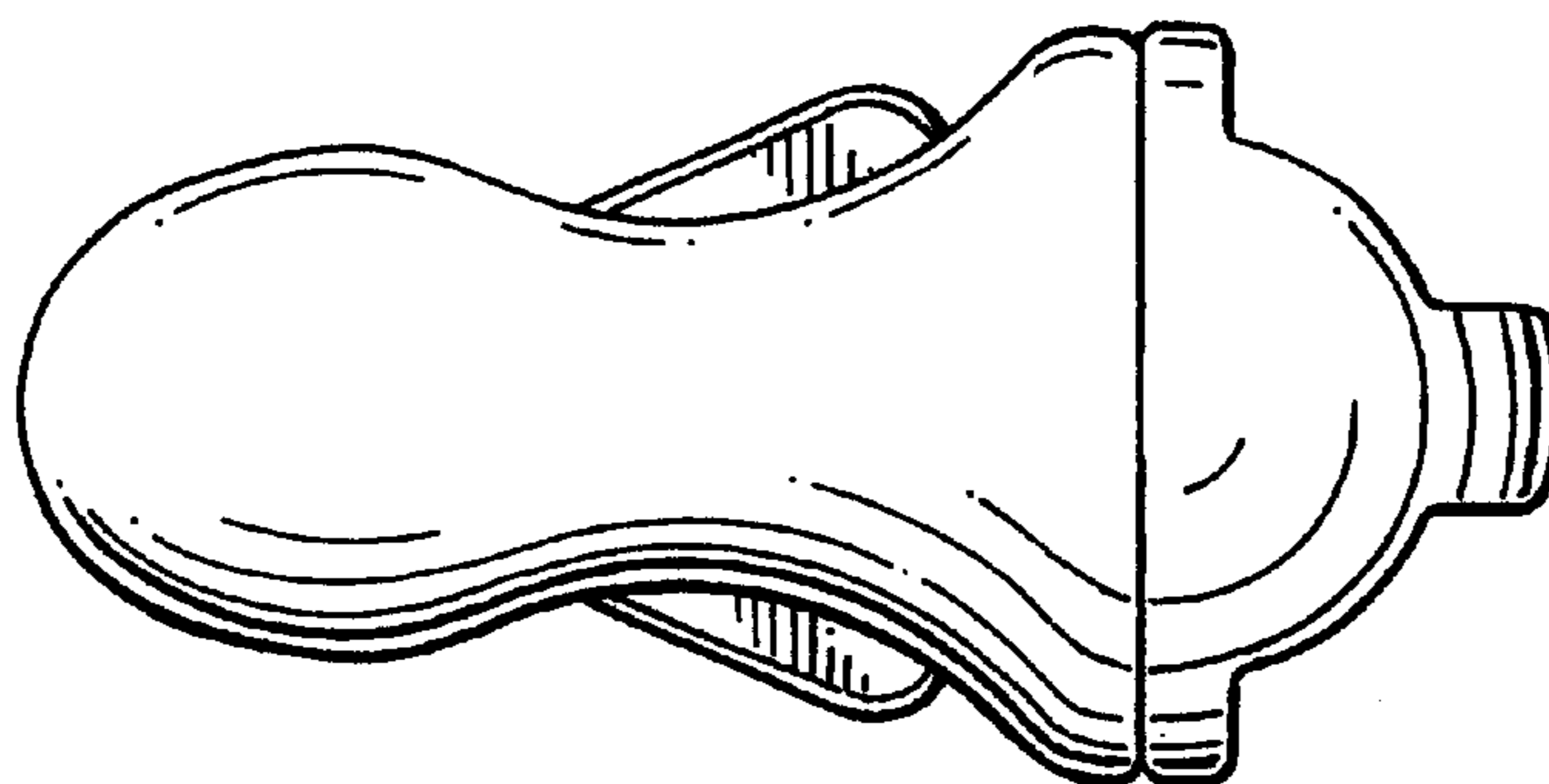
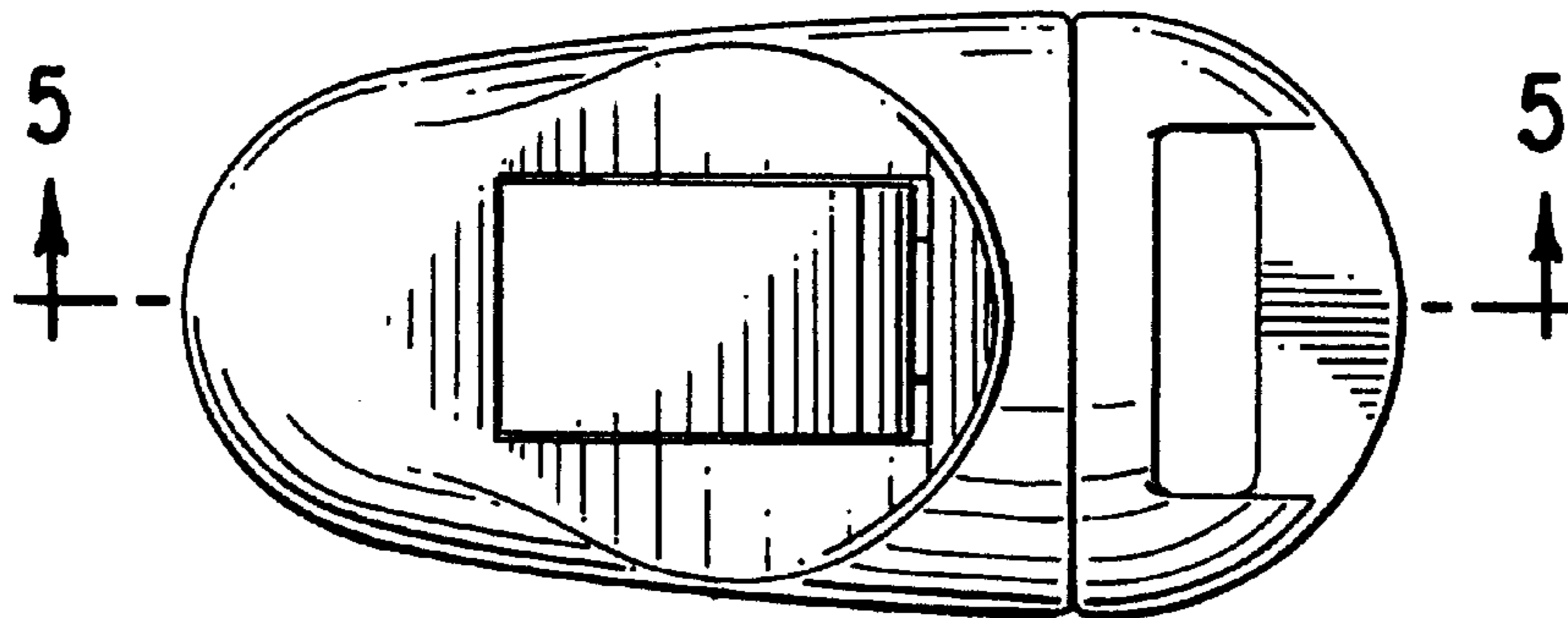
FIG. 9 is a top plan view thereof;

FIG. 10 is a left side view of the male member; and,

FIG. 11 is a right side view of the female member.

Primary Examiner—Holly Baynham

1 Claim, 4 Drawing Sheets



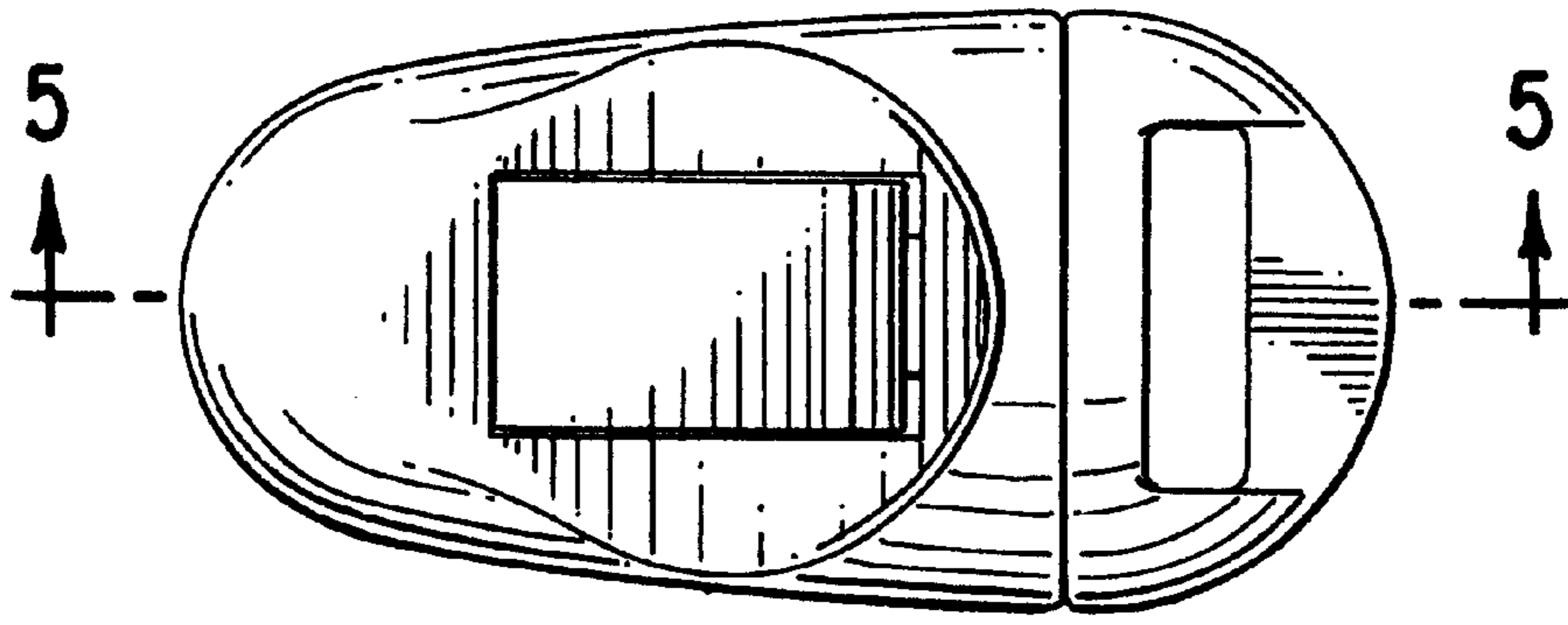


FIG. 1

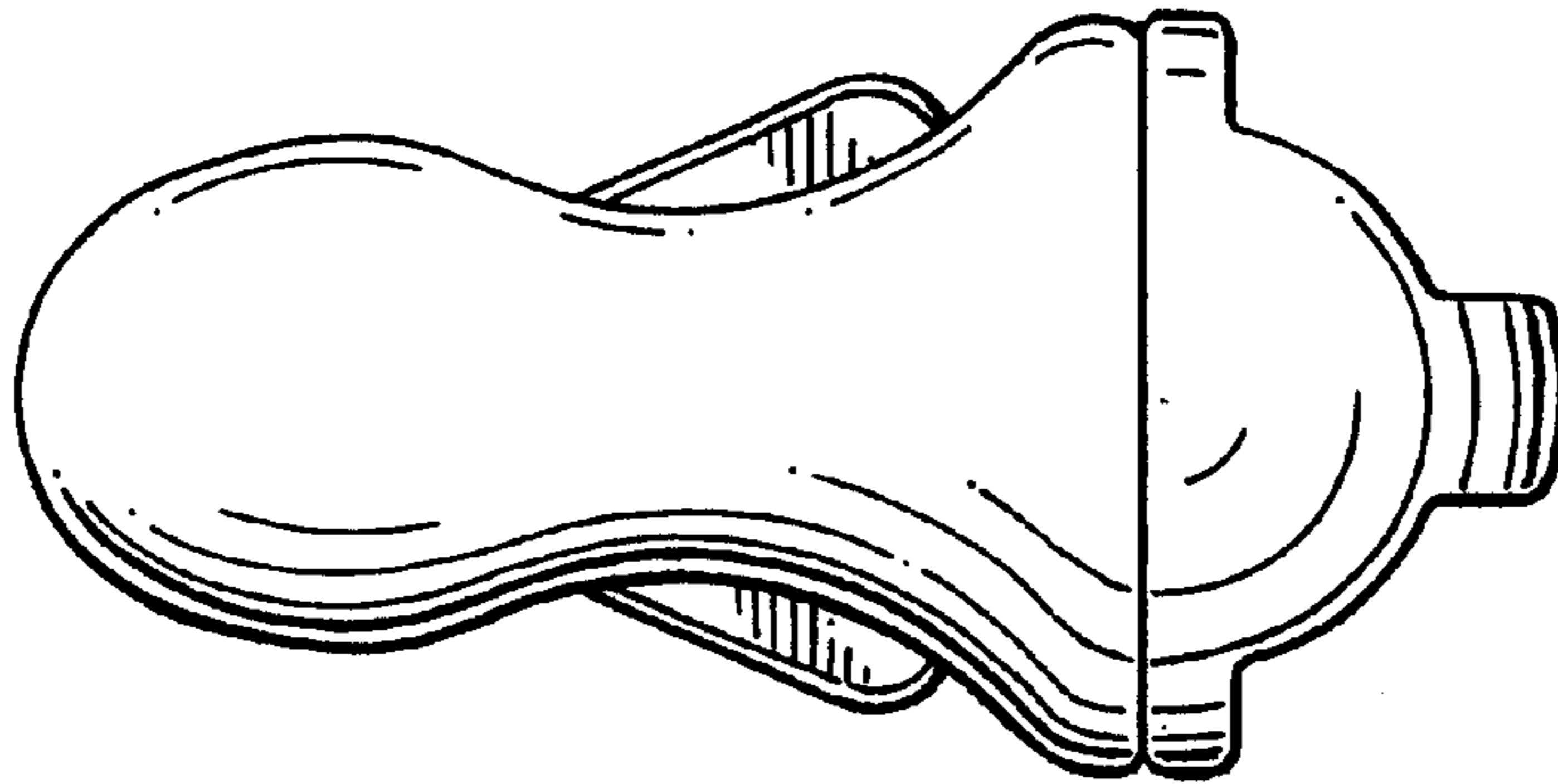


FIG. 2

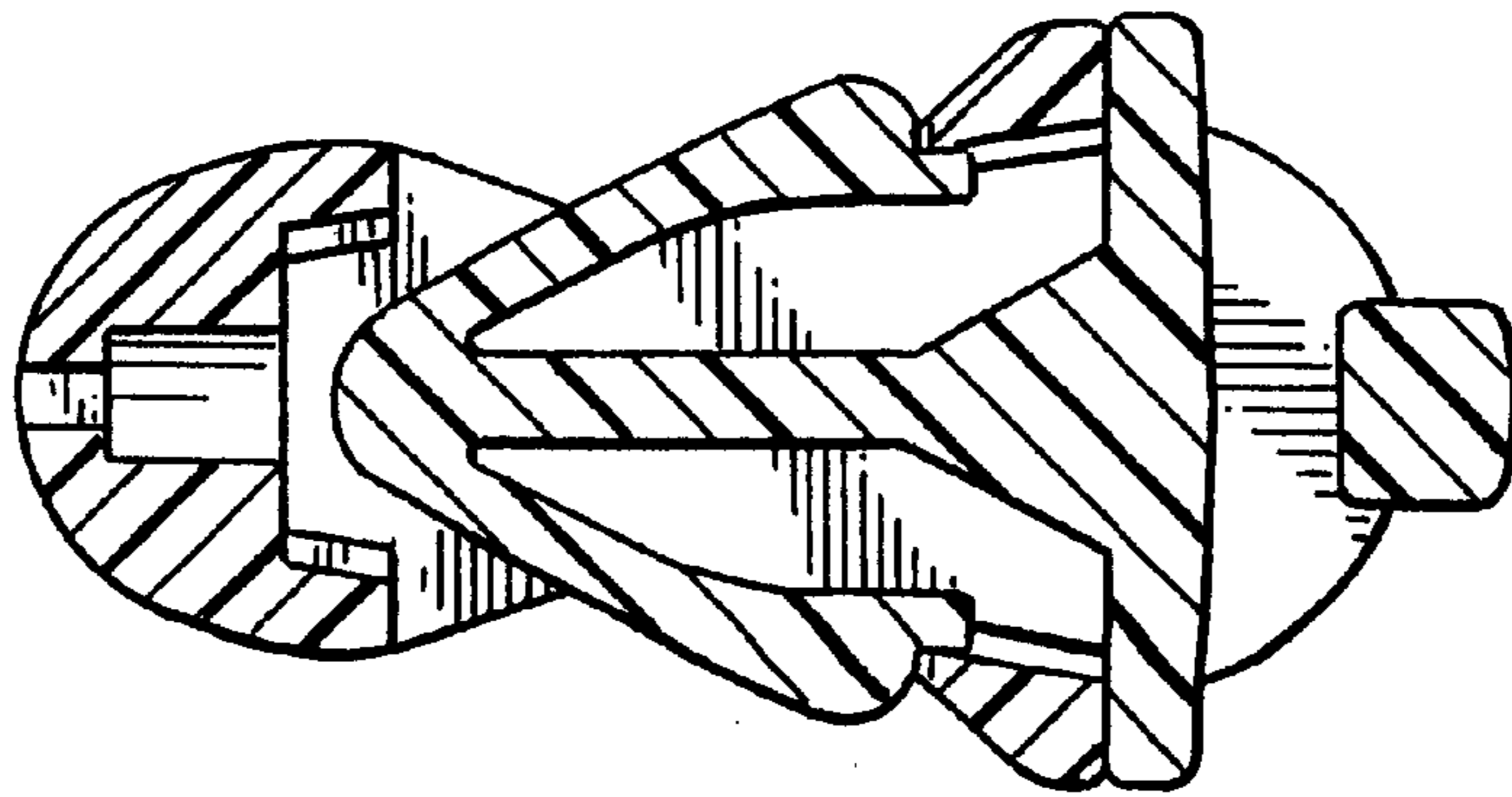


FIG. 5

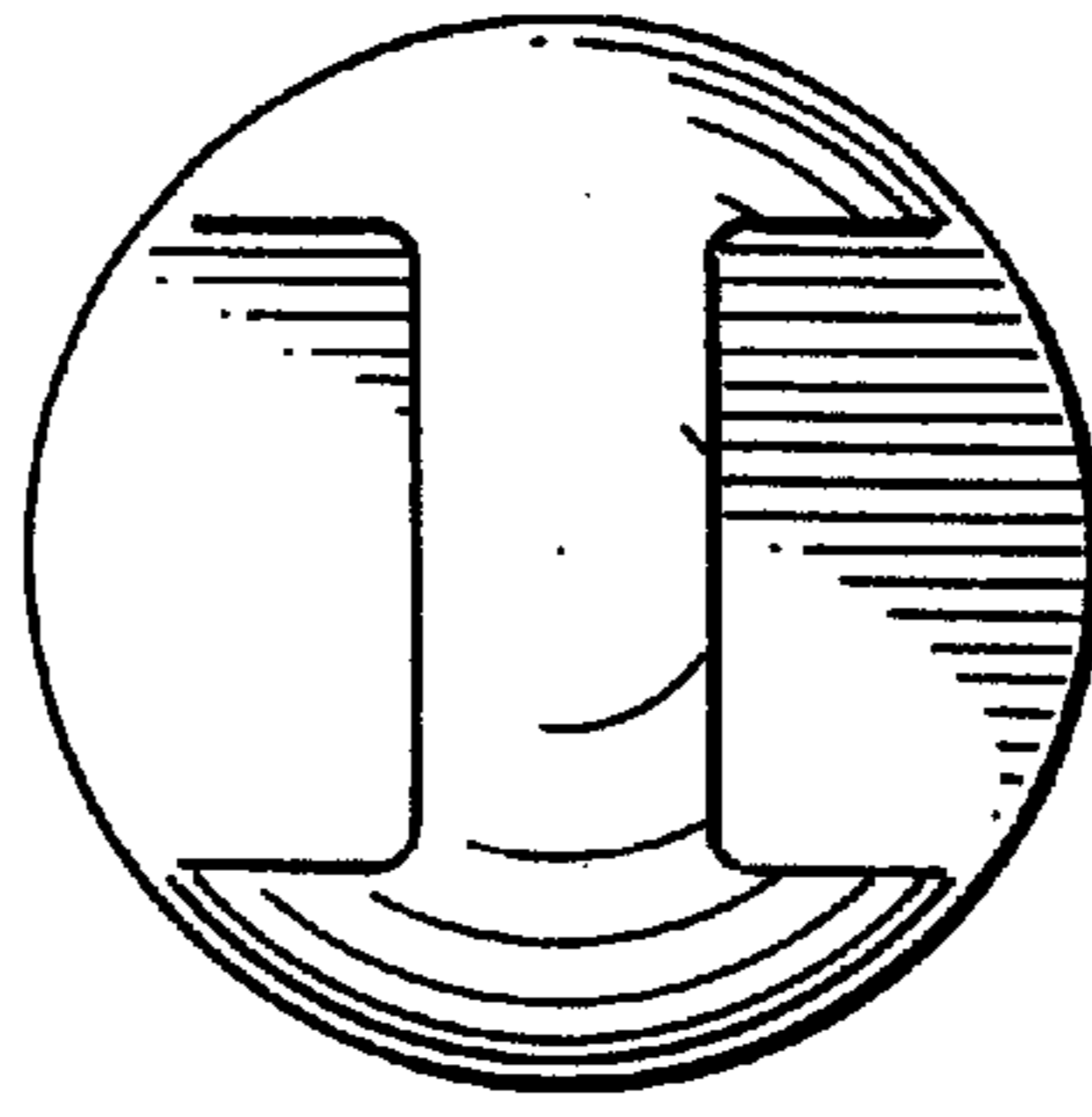


FIG. 3

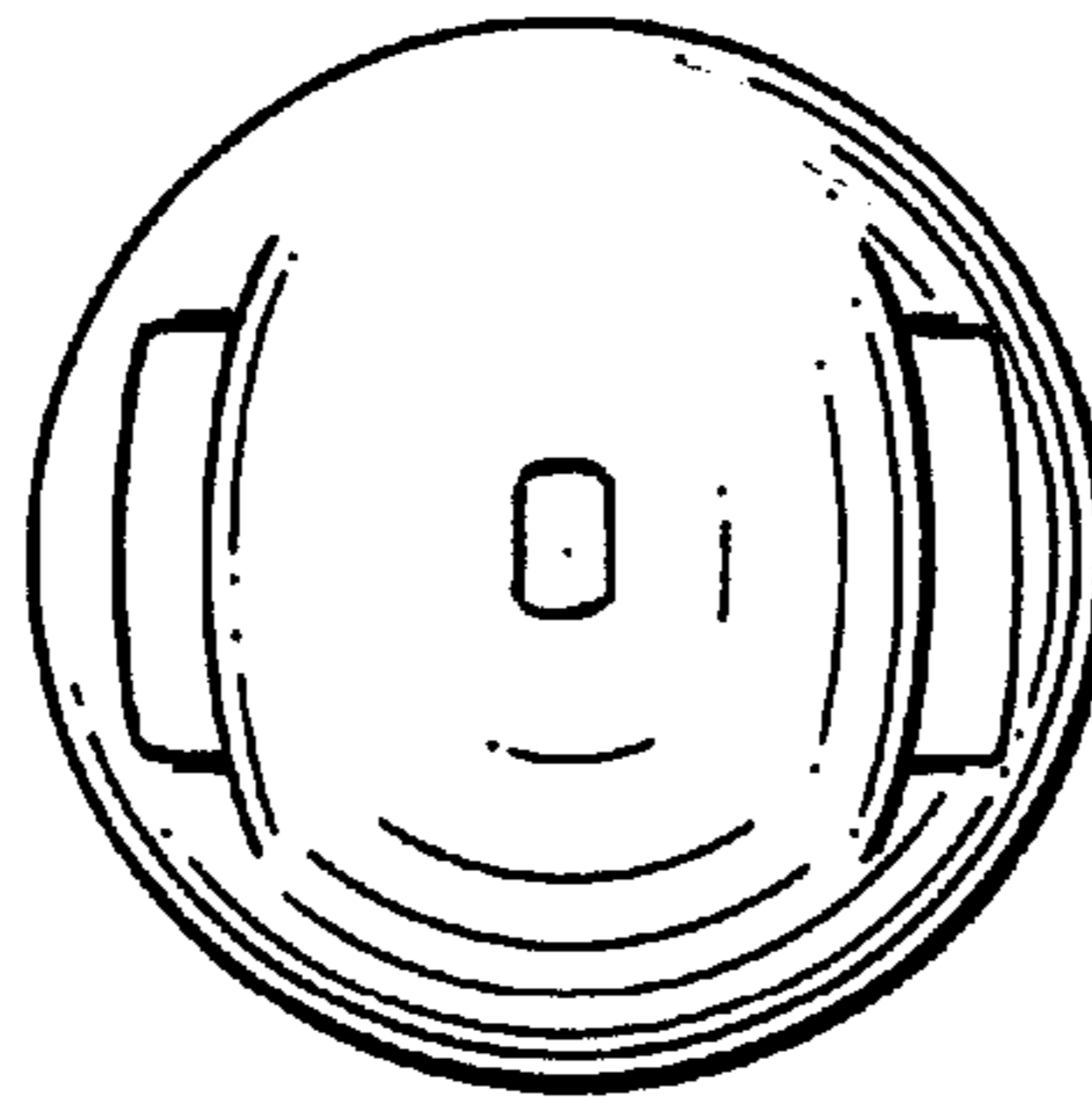


FIG. 4

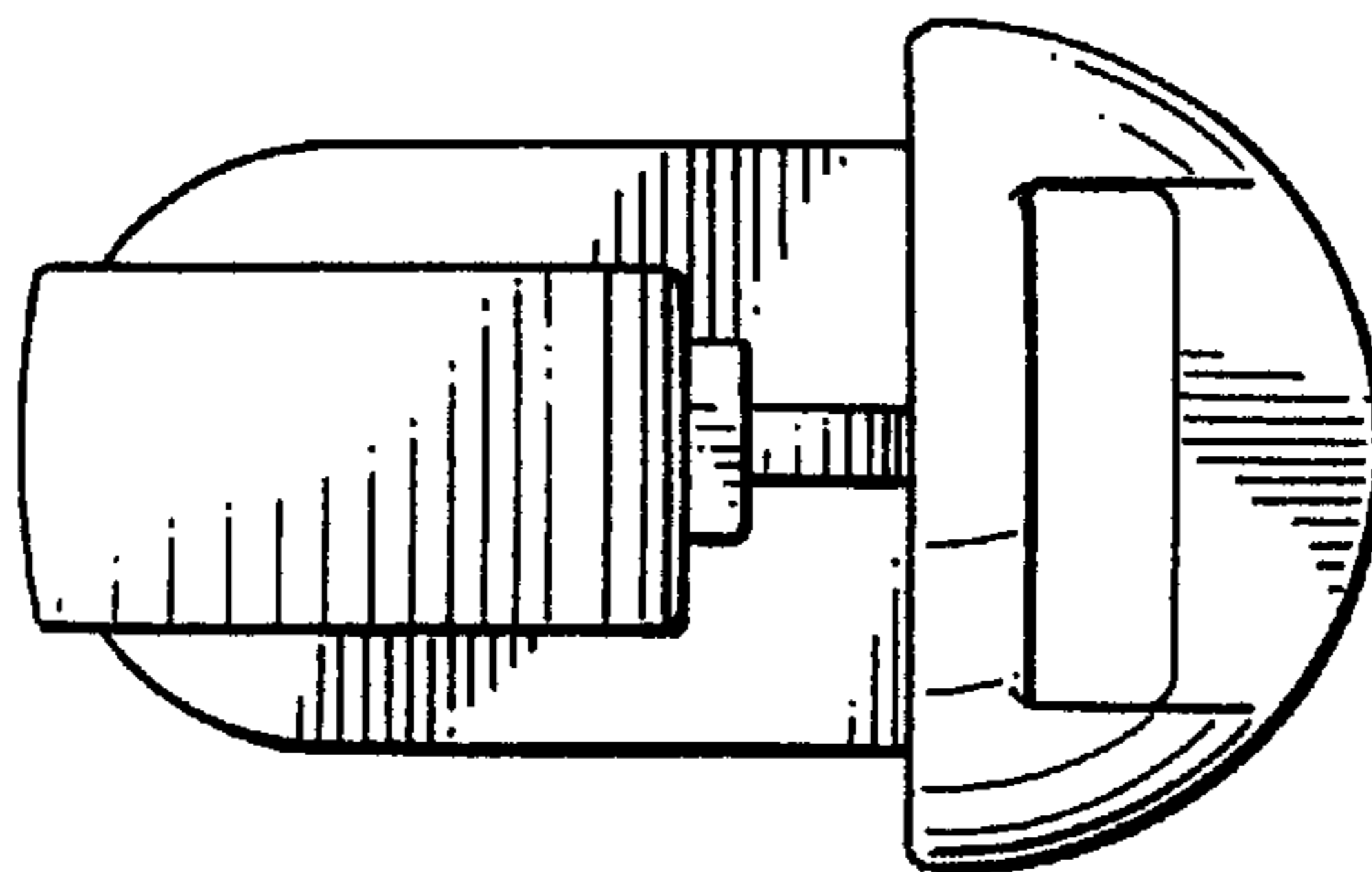


FIG. 6

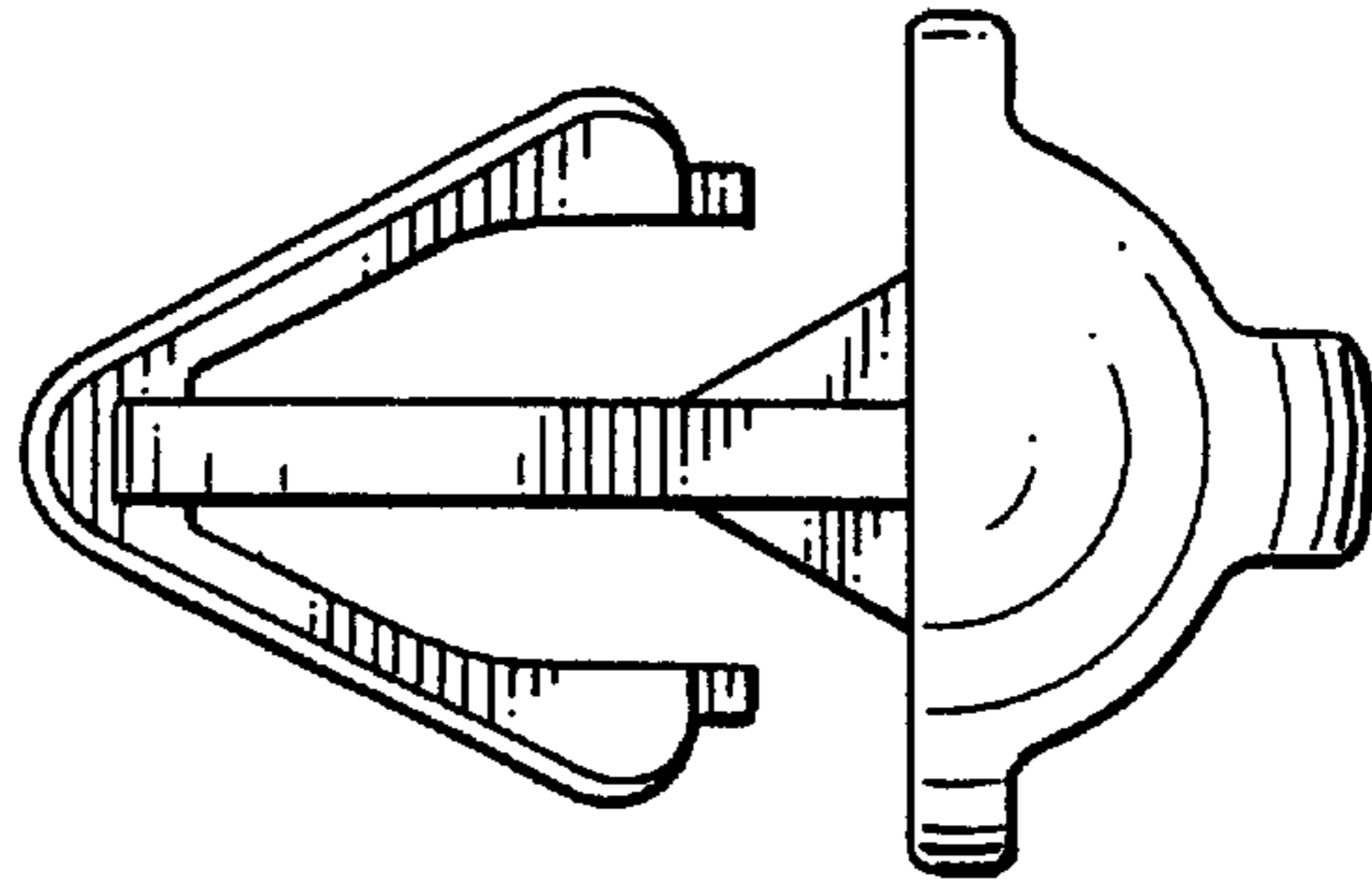


FIG. 7

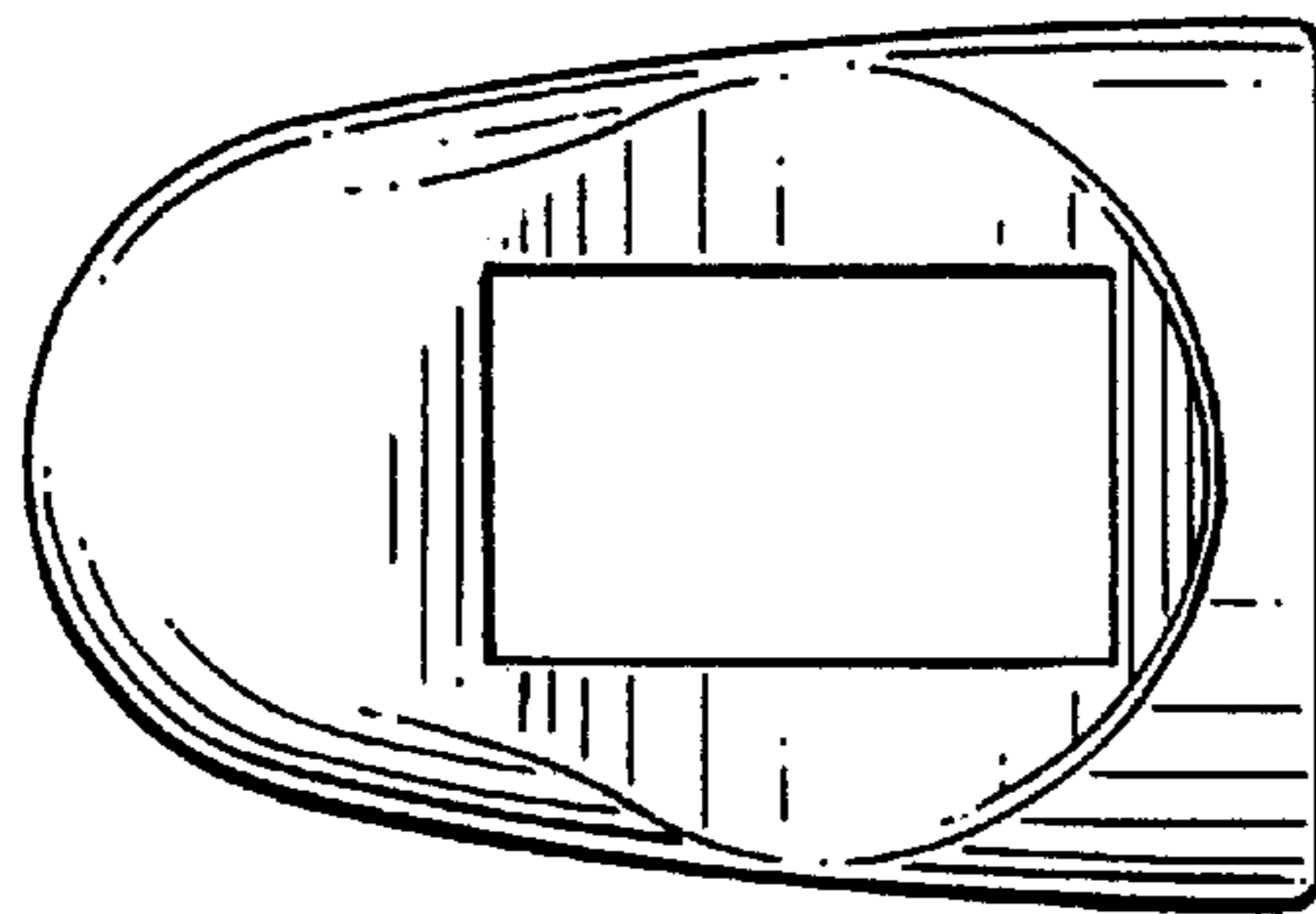


FIG. 8

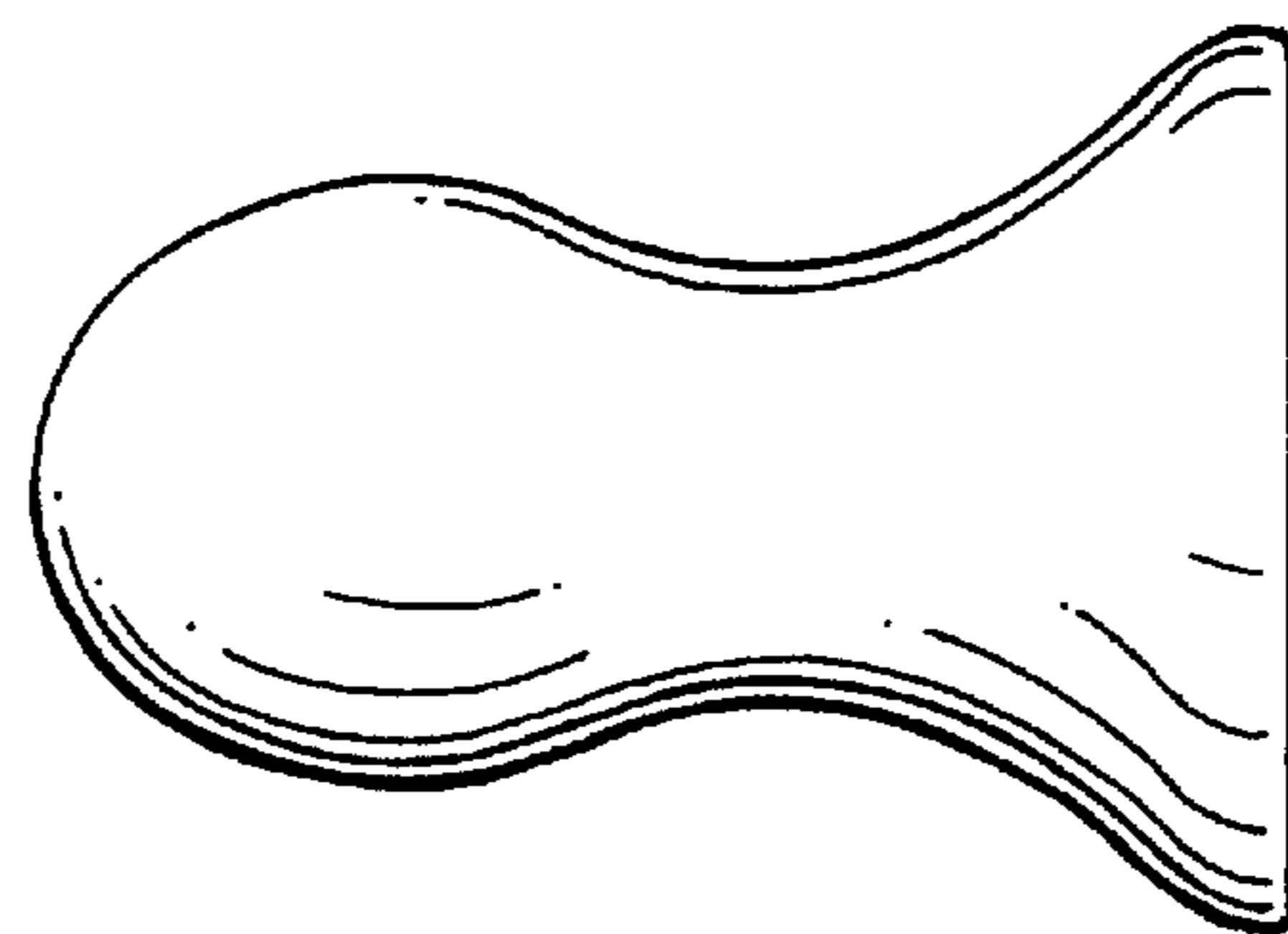


FIG. 9

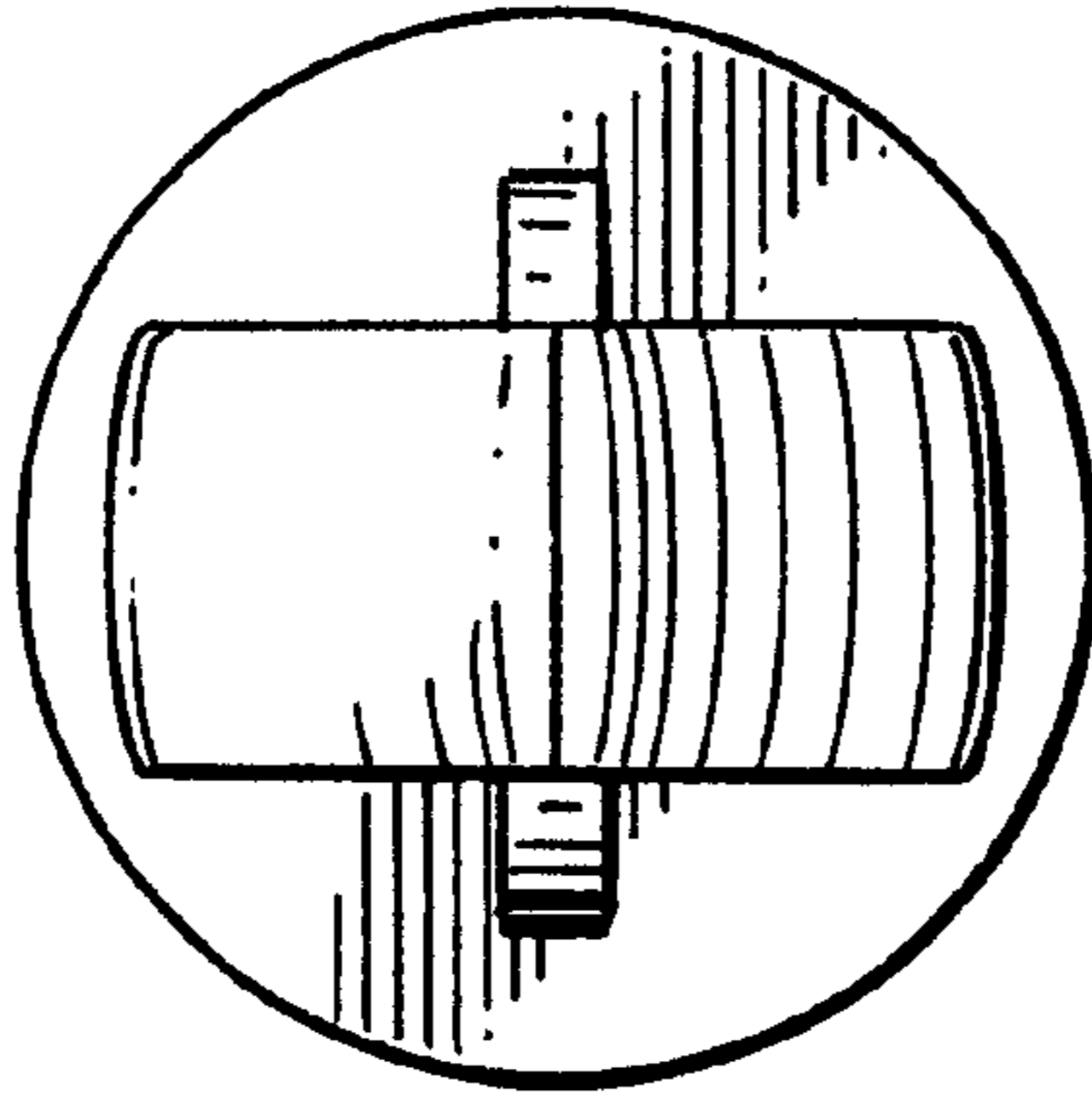


FIG. 10

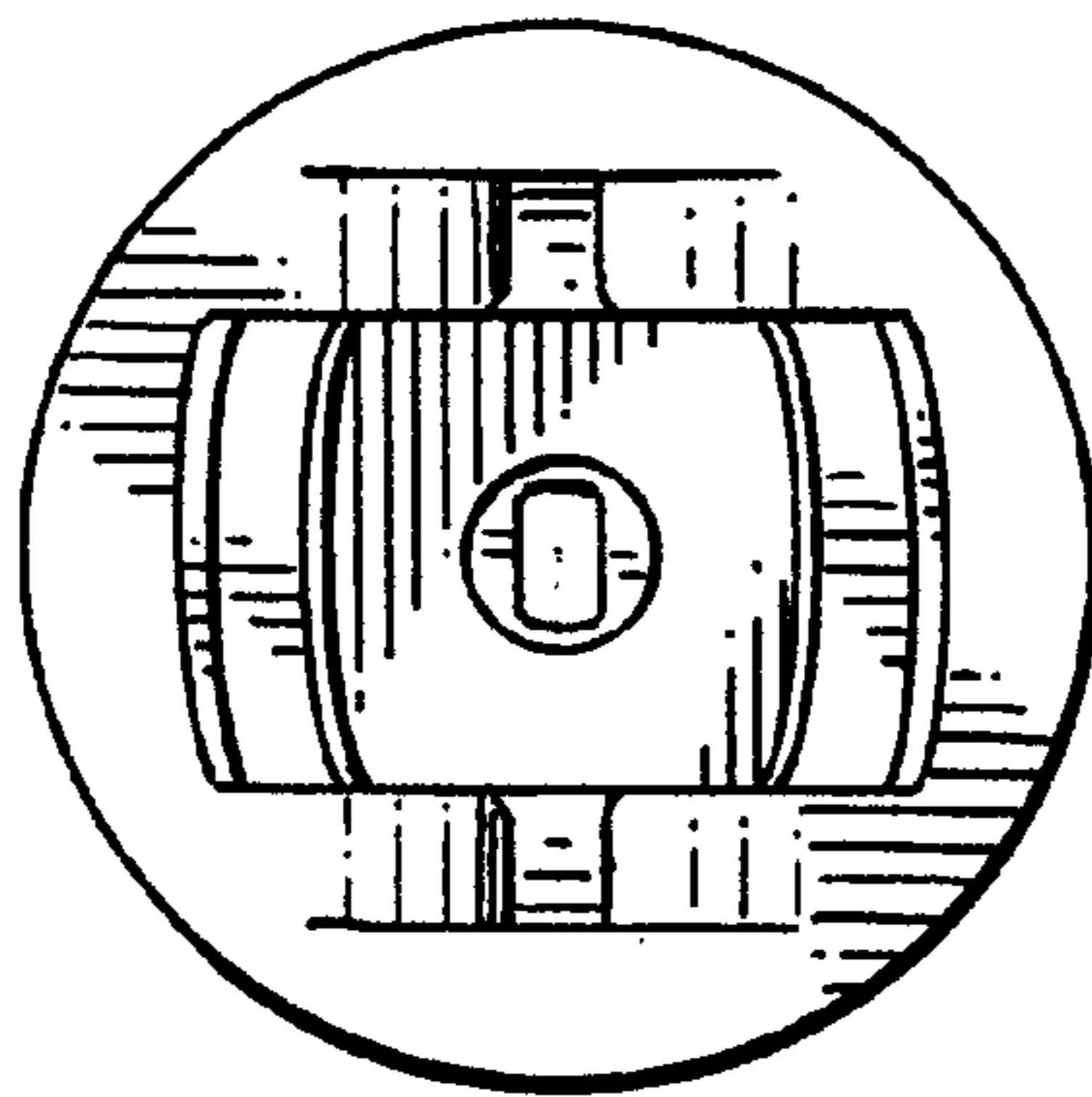


FIG. 11