



US00D422893S

United States Patent [19]
Heredos-Formby

[11] **Patent Number: Des. 422,893**
[45] **Date of Patent: ** Apr. 18, 2000**

[54] **ROUND LOCK**

[75] **Inventor: Katherine Heredos-Formby, New York, N.Y.**

[73] **Assignee: Tanner Krolle & Company Limited, London, United Kingdom**

[**] **Term: 14 Years**

[21] **Appl. No.: 29/086,191**

[22] **Filed: Apr. 7, 1998**

[30] **Foreign Application Priority Data**

Oct. 7, 1997 [GB] United Kingdom 2069689

[51] **LOC (6) Cl. 08-08**

[52] **U.S. Cl. D8/382; D8/339; D8/341**

[58] **Field of Search D8/330, 331, 339, D8/341, 342, 382; 292/175, 179, 162, DIG. 50; 150/118; 70/14, 64, 67, 66, 68, 58, 77; D3/242**

[56] **References Cited**

U.S. PATENT DOCUMENTS

- D. 324,809 3/1992 Gisiger D8/331
- D. 336,030 6/1993 Falk et al. D8/334
- 1,672,417 6/1928 Leberman 292/DIG. 50
- 4,962,800 10/1990 Owiriwo 150/118

Primary Examiner—Susan J. Lucas
Assistant Examiner—Jennifer Rivard
Attorney, Agent, or Firm—Lawrence E. Apolzon, Esq.;
Fross Zelnick Lehrman & Zissu, P.C.

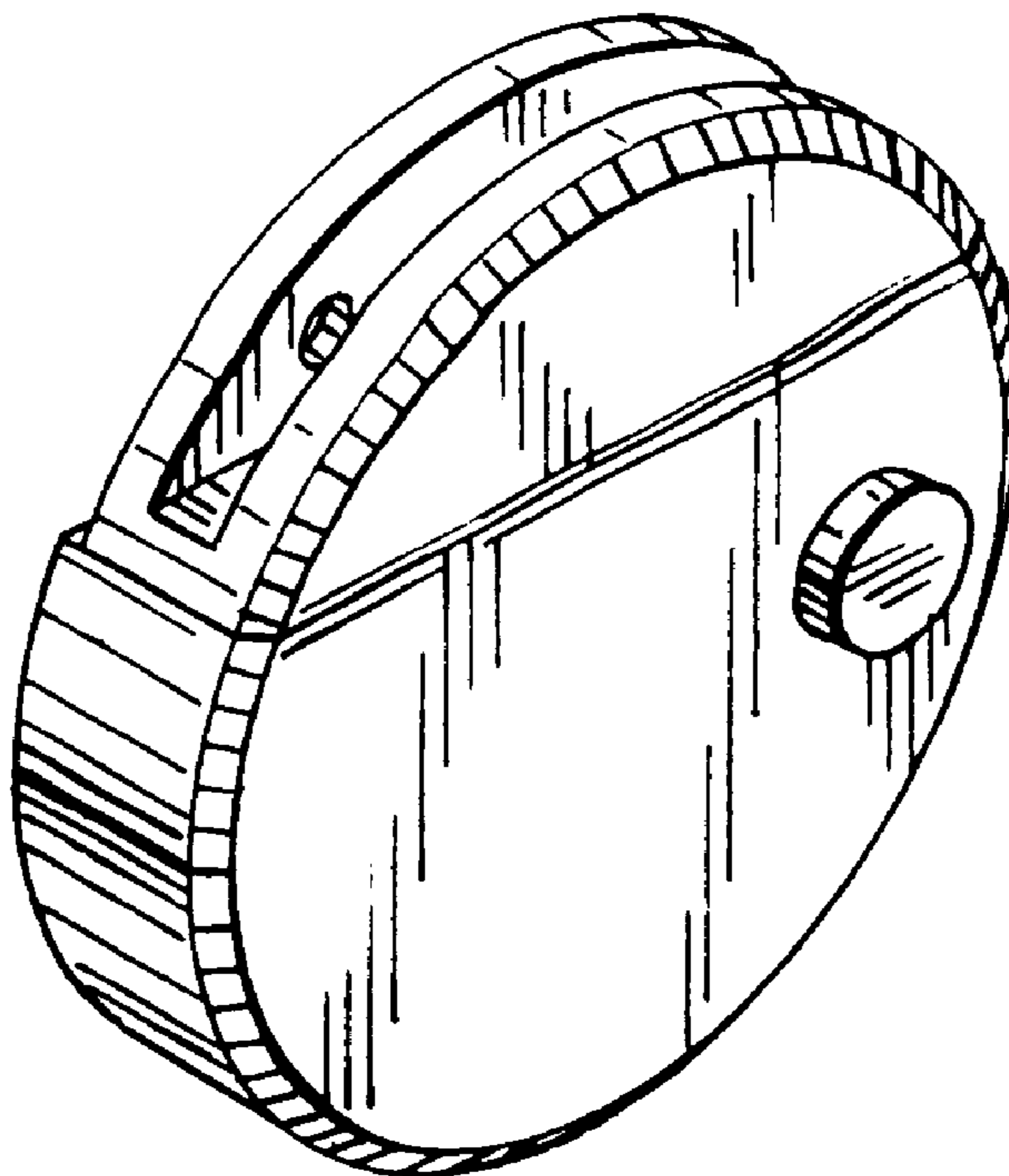
[57] **CLAIM**

The ornamental design for a round lock, as shown and described.

DESCRIPTION

FIG. 1 is a perspective view of a round lock with the lock closed;
 FIG. 2 is a front view;
 FIG. 3 is a rear view;
 FIG. 4 is a side view;
 FIG. 5 is the other side view;
 FIG. 6 is a top view;
 FIG. 7 is a bottom view;
 FIG. 8 is an exploded perspective view with the lock open;
 FIG. 9 is a perspective view of the lock detail in the environment in which it may be used;
 FIG. 10 is a front view of the lock detail in the environment in which it may be used;
 FIG. 11 is a perspective view showing the lock in the environment in which it may be used;
 FIG. 12 is a perspective view showing an alternative embodiment of the lock in the environment in which it may be used;
 FIG. 13 is a front view of the alternative embodiment; and,
 FIG. 14 is a perspective view of the alternative embodiment the opposite perspective view is a mirror image.
 The broken lines are shown for illustrative purposes only, and form no part of the claimed design.
 The surface(s) or portion(s) of the article not shown in the drawing or described in the specification form(s) no part of the claimed design.

1 Claim, 5 Drawing Sheets



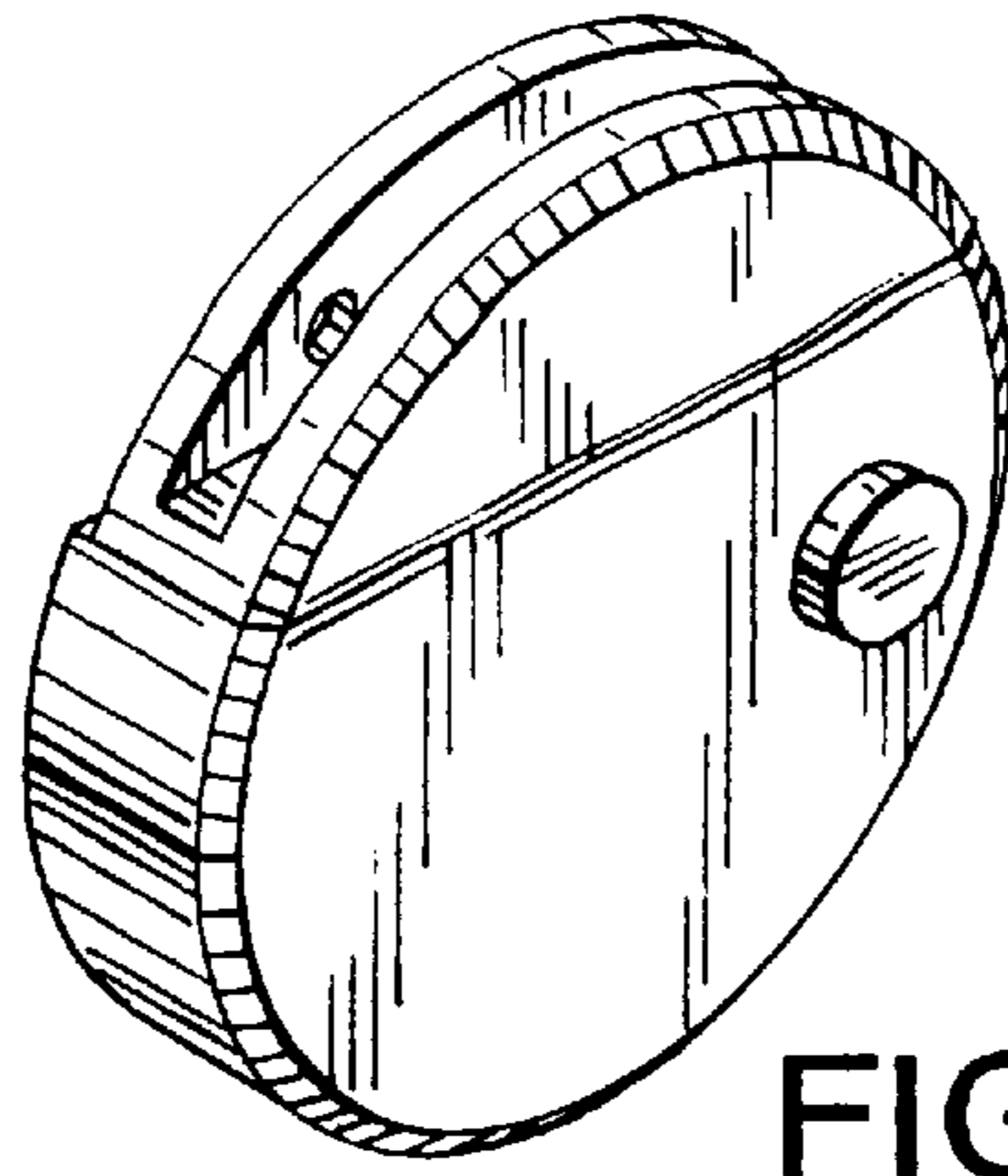


FIG. 1

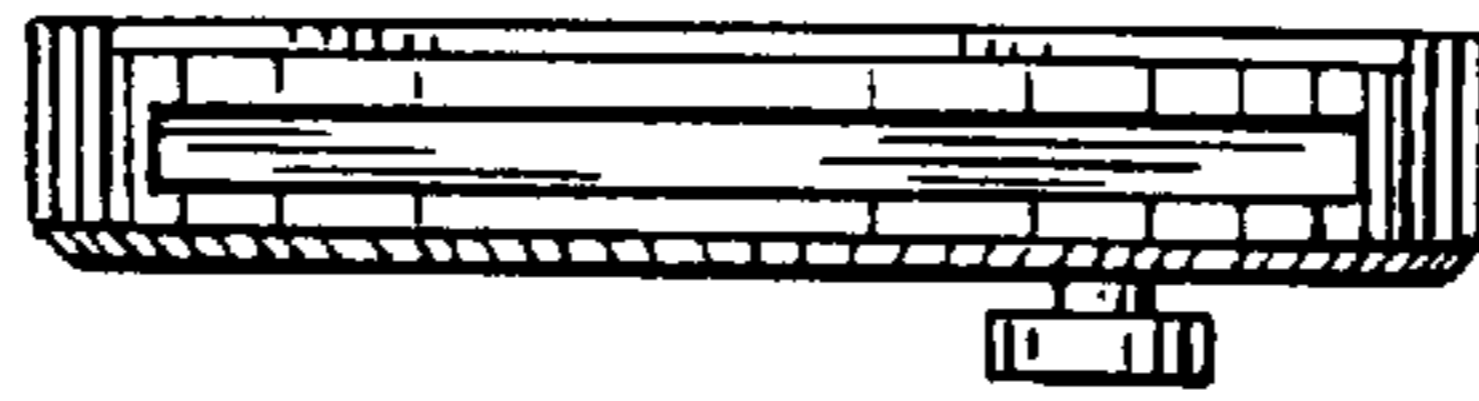


FIG. 6

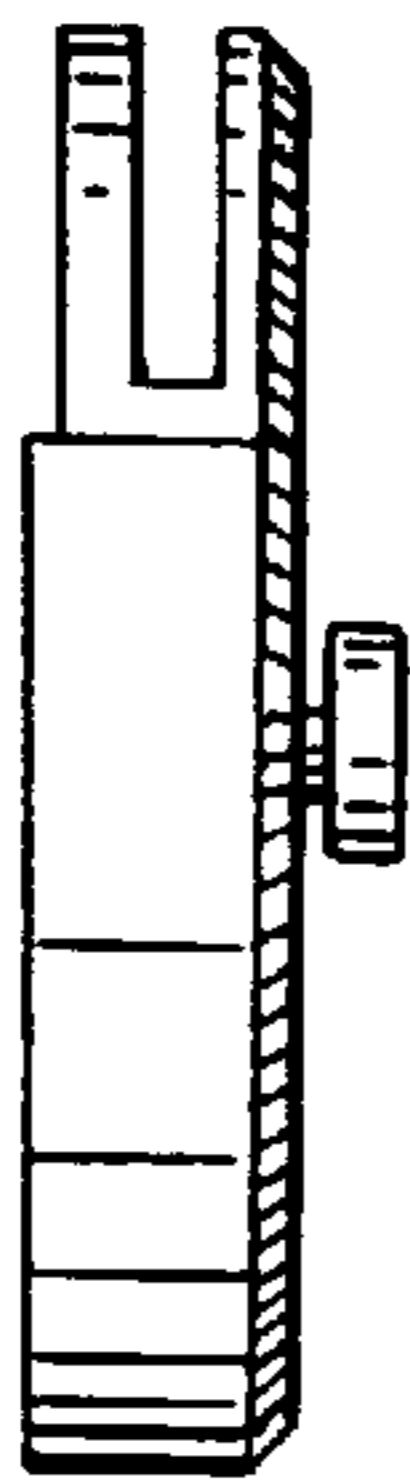


FIG. 4

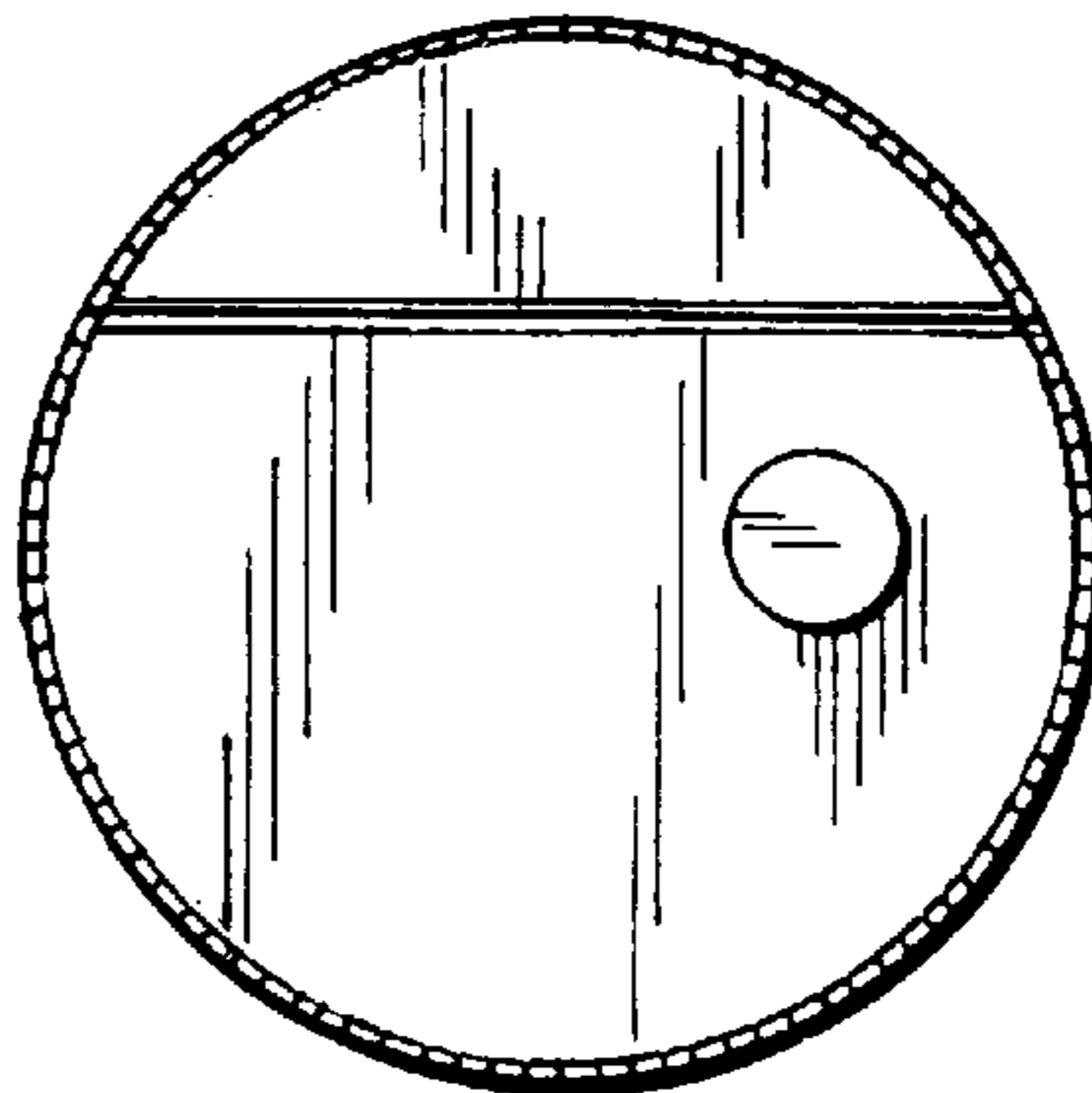


FIG. 2

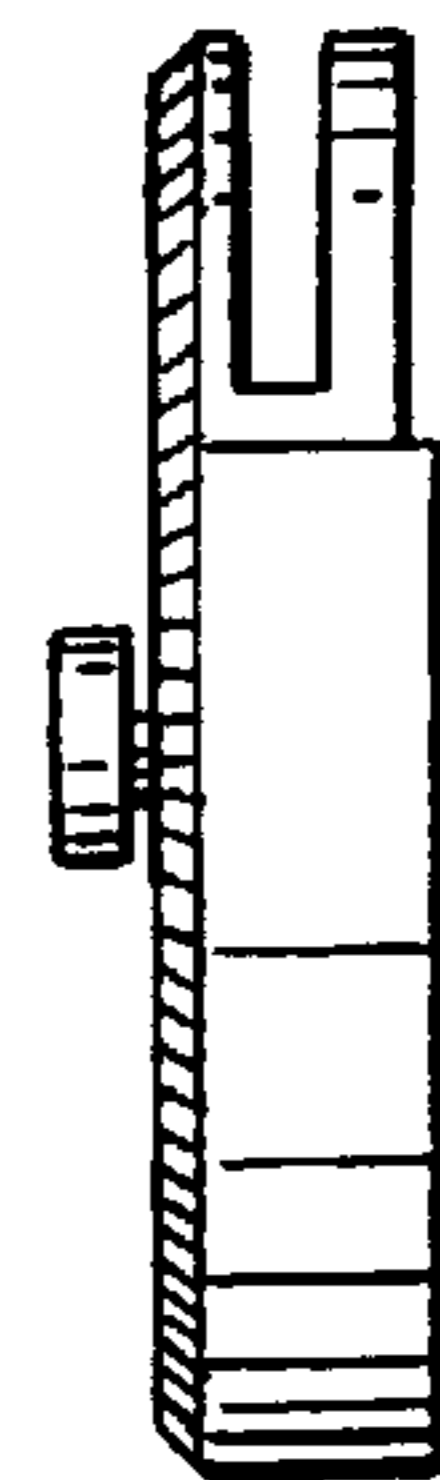


FIG. 5

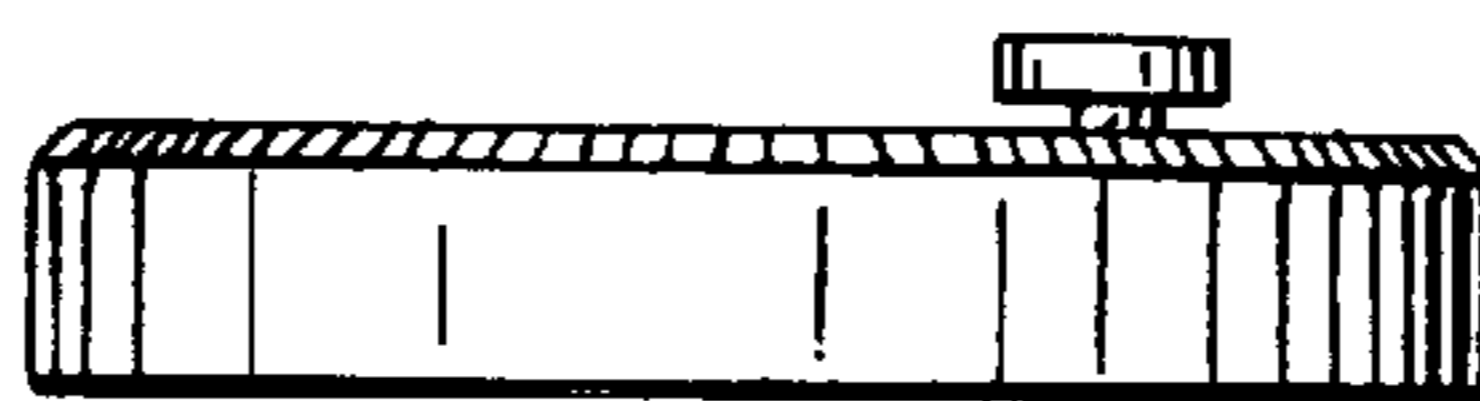


FIG. 7

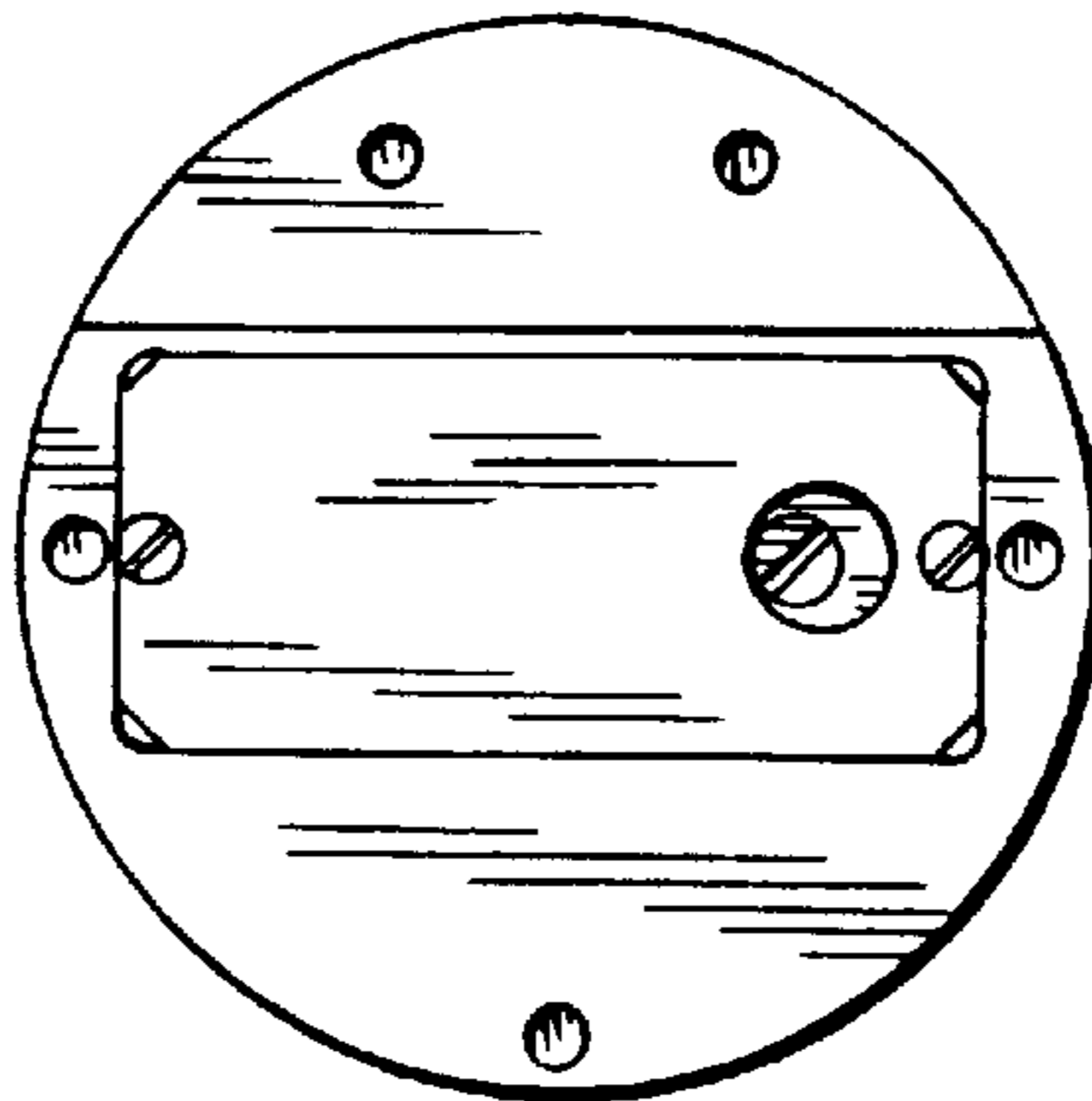


FIG. 3

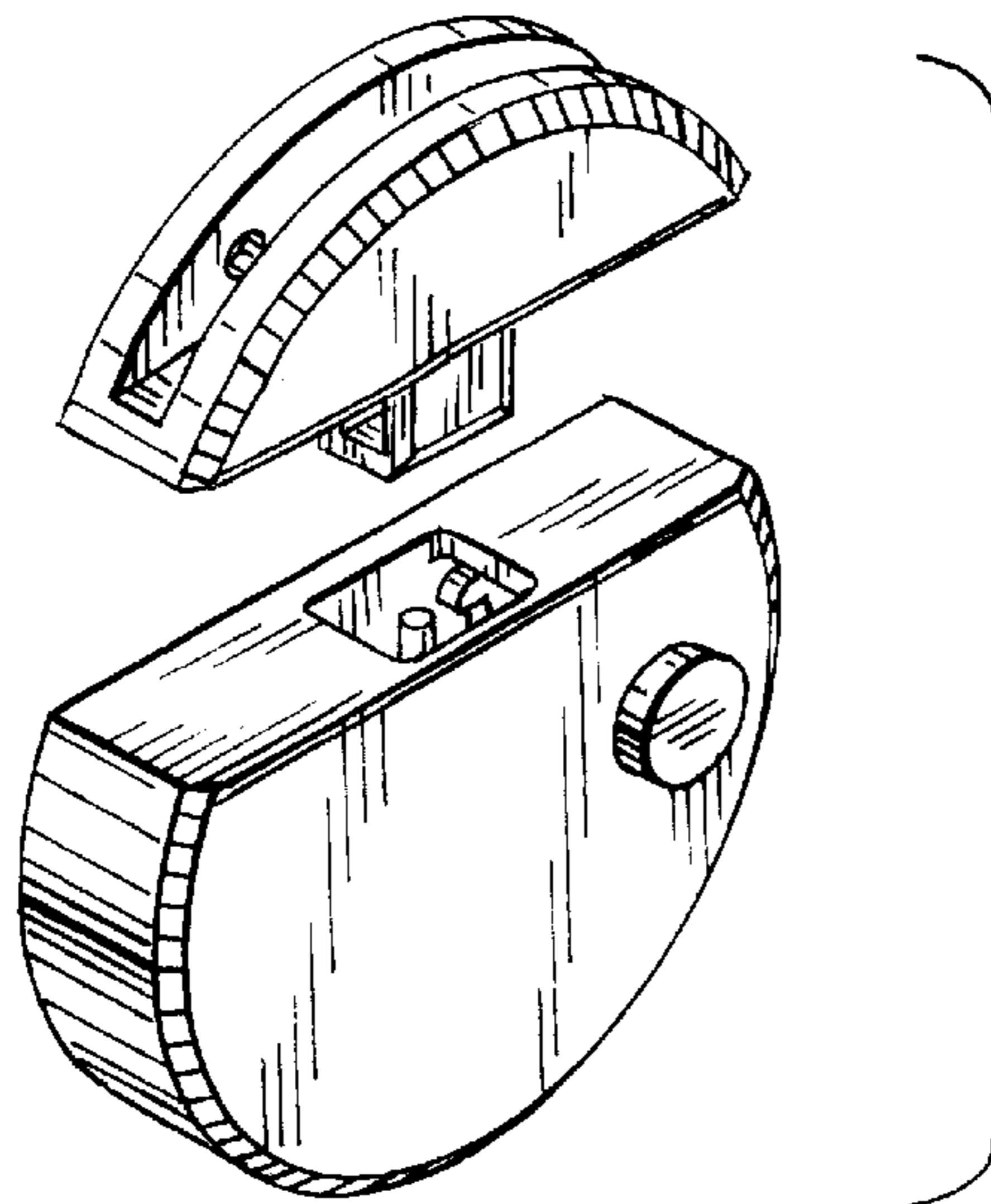


FIG.8

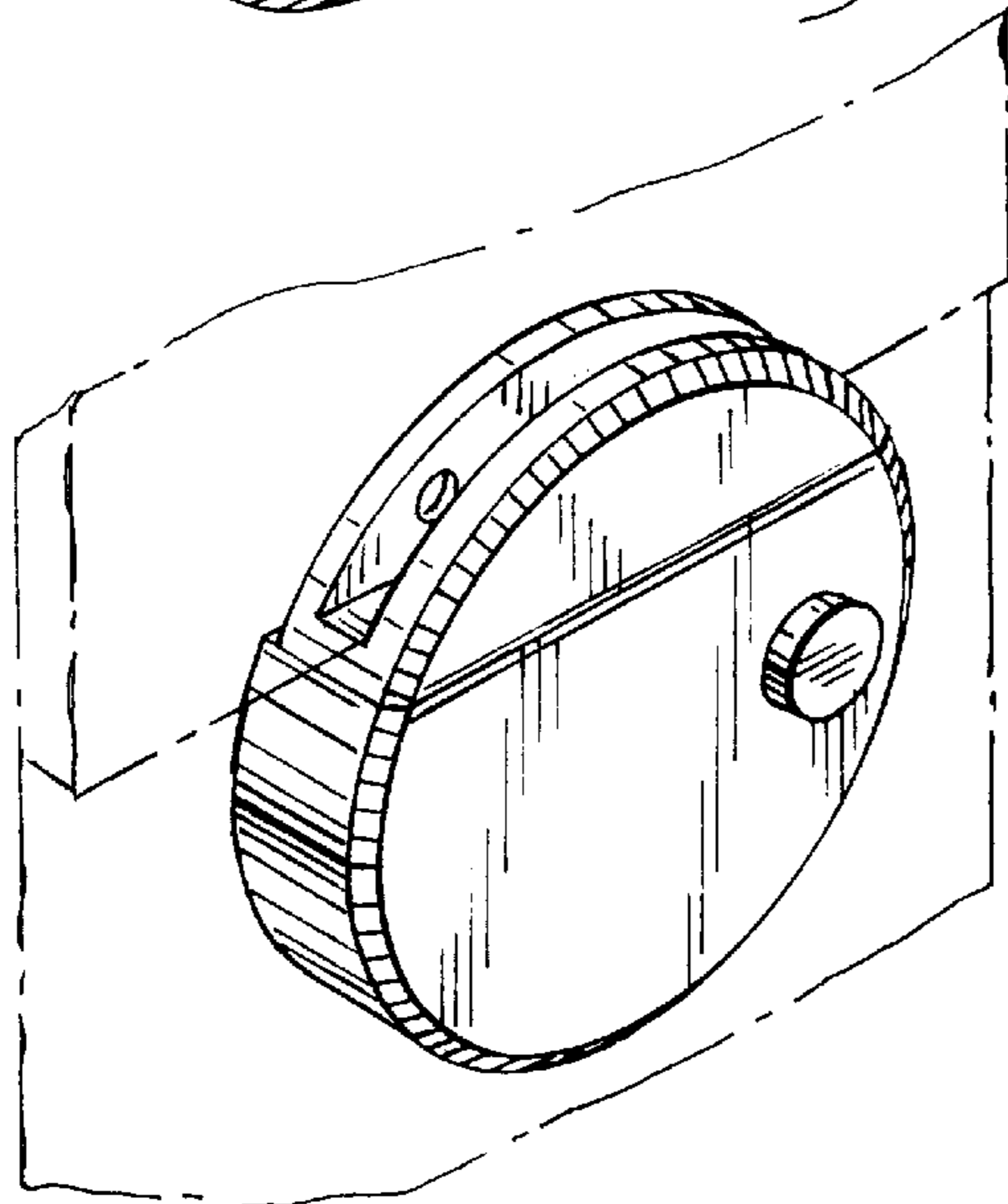


FIG.9

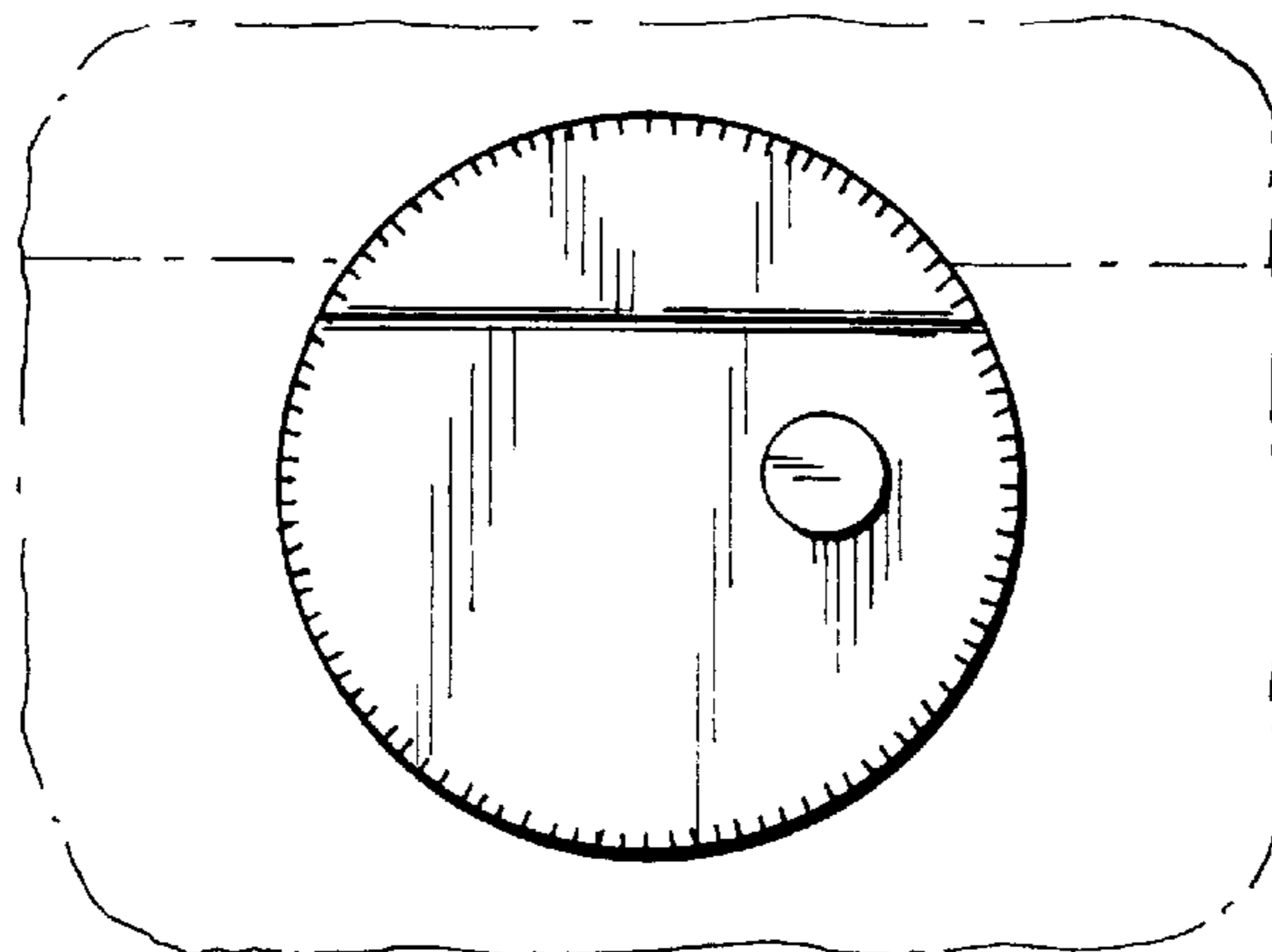


FIG.10

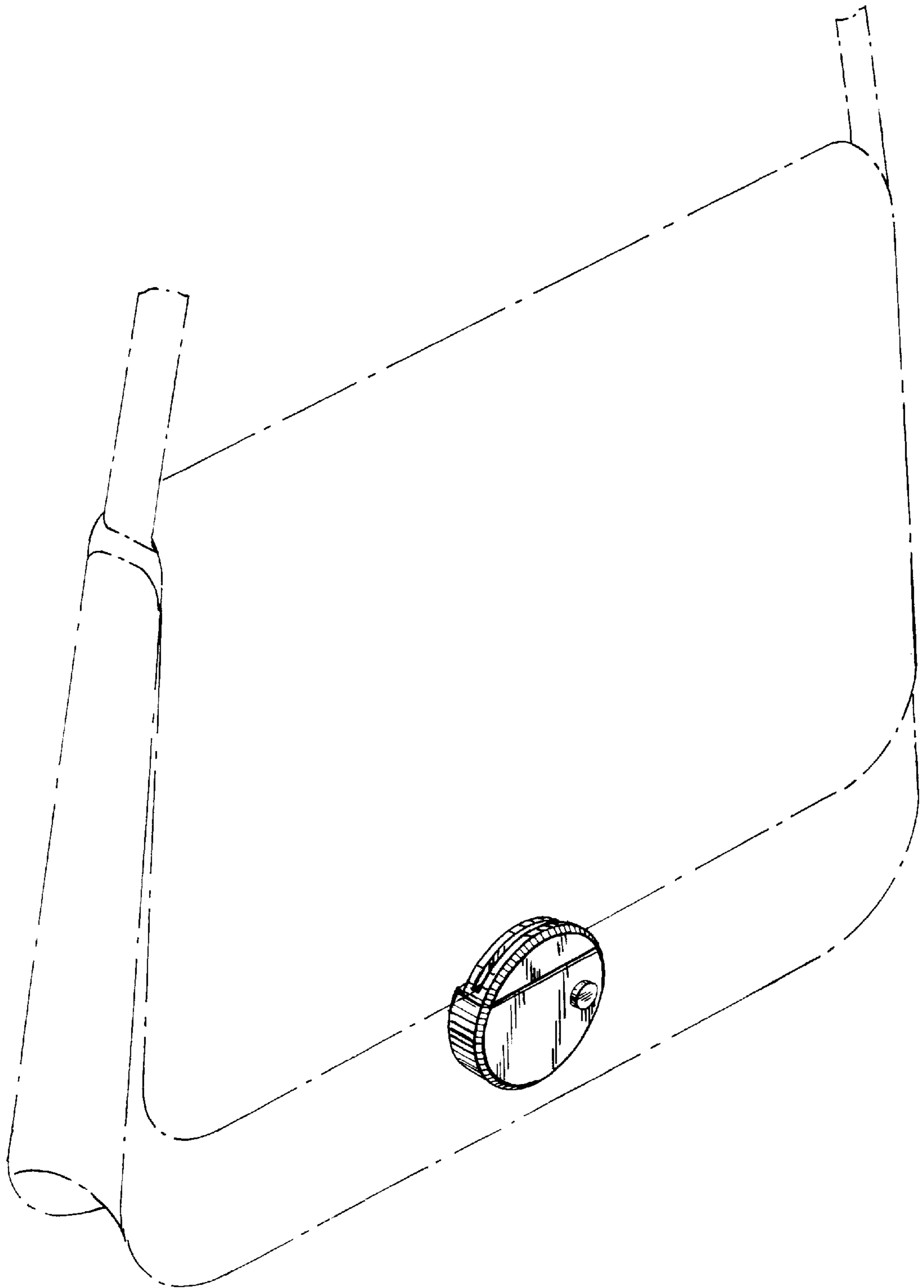


FIG. 11

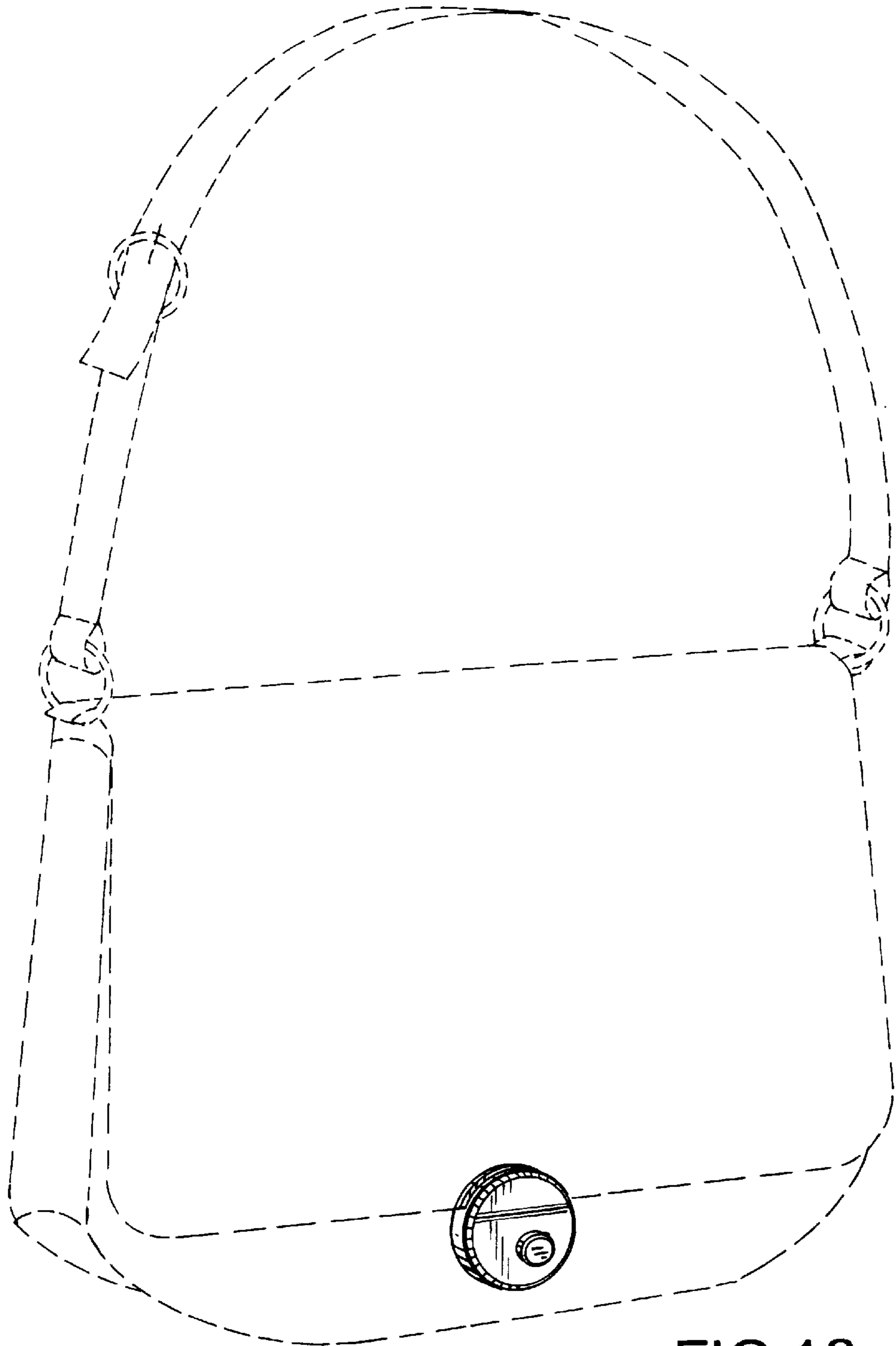


FIG.12

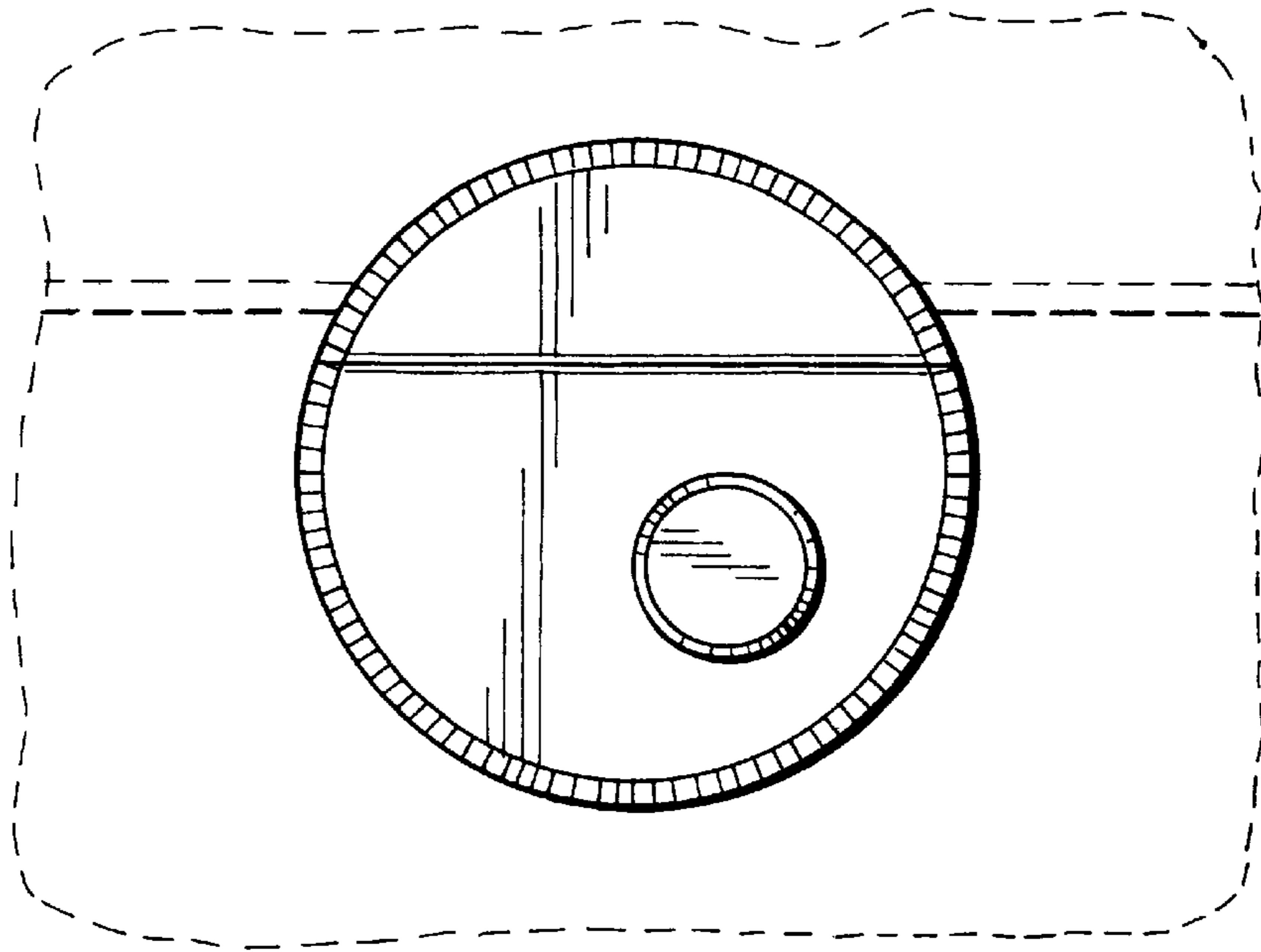


FIG.13

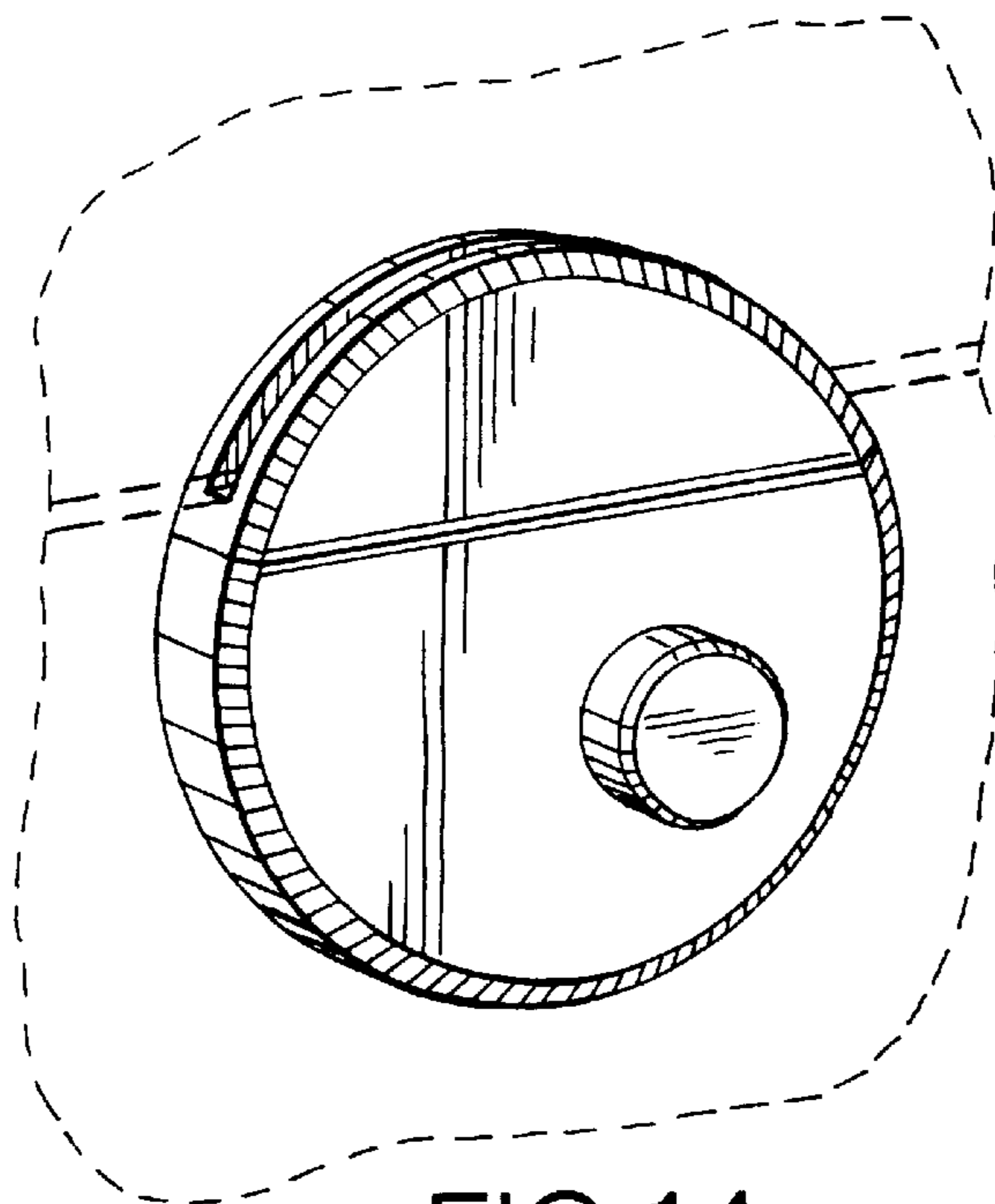


FIG.14