



US00D422887S

United States Patent [19]
Potter

[11] **Patent Number: Des. 422,887**

[45] **Date of Patent: ** Apr. 18, 2000**

[54] **CABLE RETAINER**

[75] Inventor: **Victor D. Potter**, Cumming, Ga.

[73] Assignee: **Panduit Corp.**, Tinley Park, Ill.

[**] Term: **14 Years**

[21] Appl. No.: **29/106,069**

[22] Filed: **Jun. 7, 1999**

[51] **LOC (6) Cl. 08-05**

[52] **U.S. Cl. D8/356**

[58] **Field of Search D8/356, 380, 394-396;**
248/62-65, 72, 74.1-74.4, 68.1; 174/135

[56] **References Cited**

U.S. PATENT DOCUMENTS

| | | | | |
|-----------|--------|----------|-------|----------|
| 3,051,424 | 8/1962 | Duhamel | | 248/62 |
| 3,964,707 | 6/1976 | Lewis | | 248/68.1 |
| 3,968,323 | 7/1976 | Blanchet | | 174/135 |

Primary Examiner—Holly Baynham
Attorney, Agent, or Firm—Mark D. Hilliard; Robert A. McCann; Michael J. Turgeon

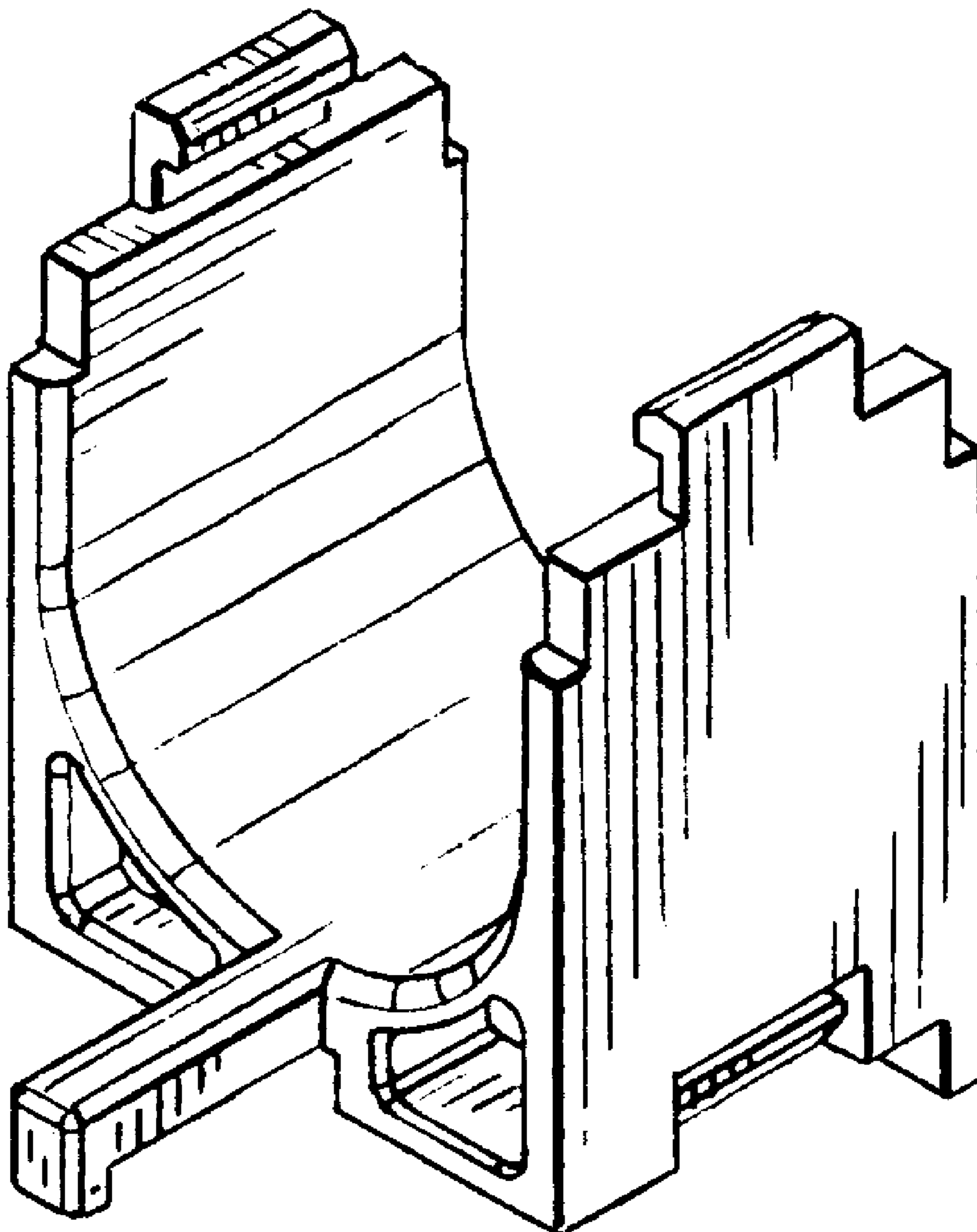
[57] **CLAIM**

The ornamental design for a cable retainer, as shown and described.

DESCRIPTION

FIG. 1 is a front perspective view of a cable retainer; FIG. 2 is a rear perspective view of the cable retainer of FIG. 1; FIG. 3 is a front view of the cable retainer of FIG. 1; FIG. 4 is a rear view of the cable retainer of FIG. 1; FIG. 5 is a right side view of the cable retainer of FIG. 1; FIG. 6 is a left side view of the cable retainer of FIG. 1; FIG. 7 is a top view of the cable retainer of FIG. 1; and, FIG. 8 is a bottom view of the cable retainer of FIG. 1.

1 Claim, 1 Drawing Sheet



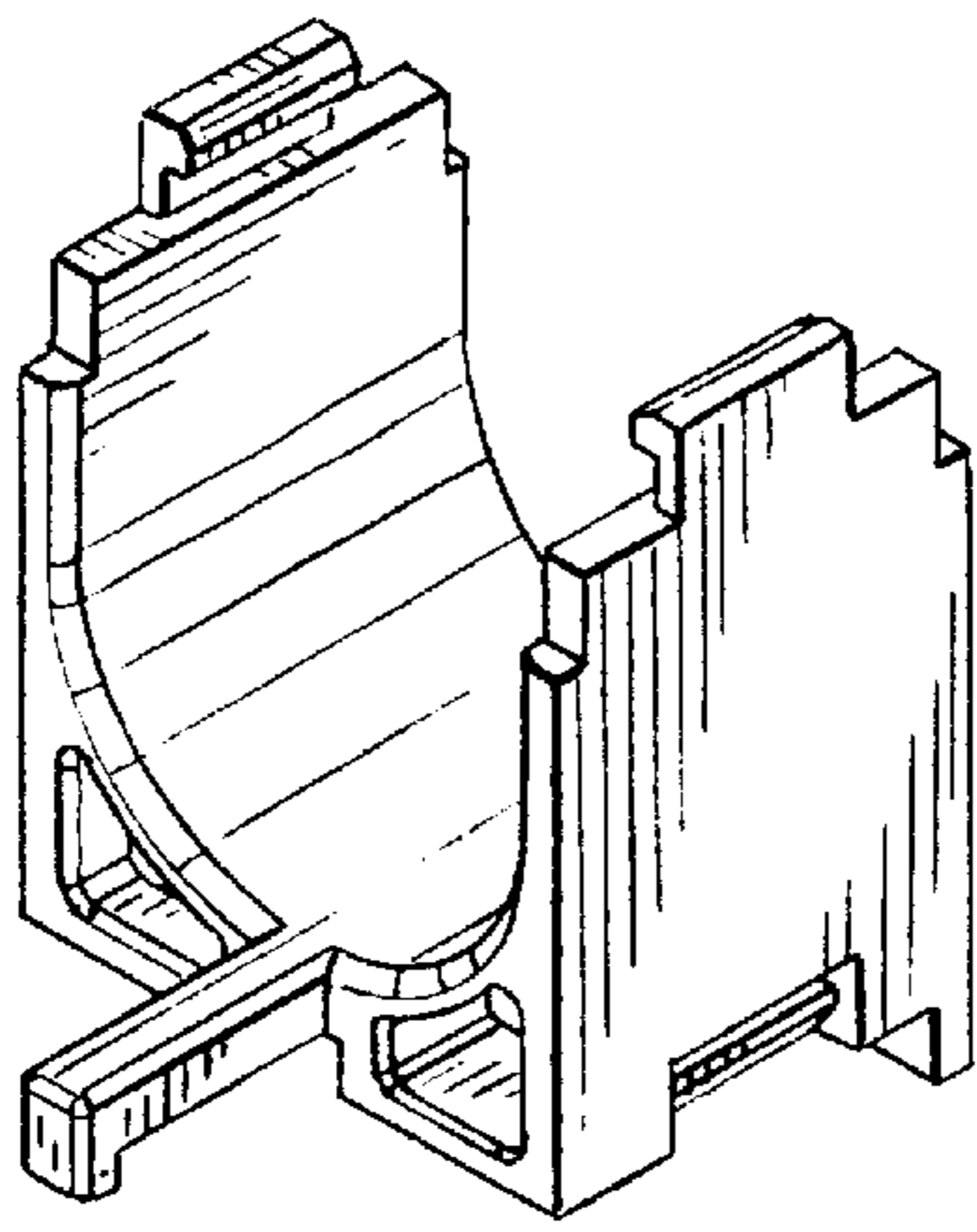


FIG. 1

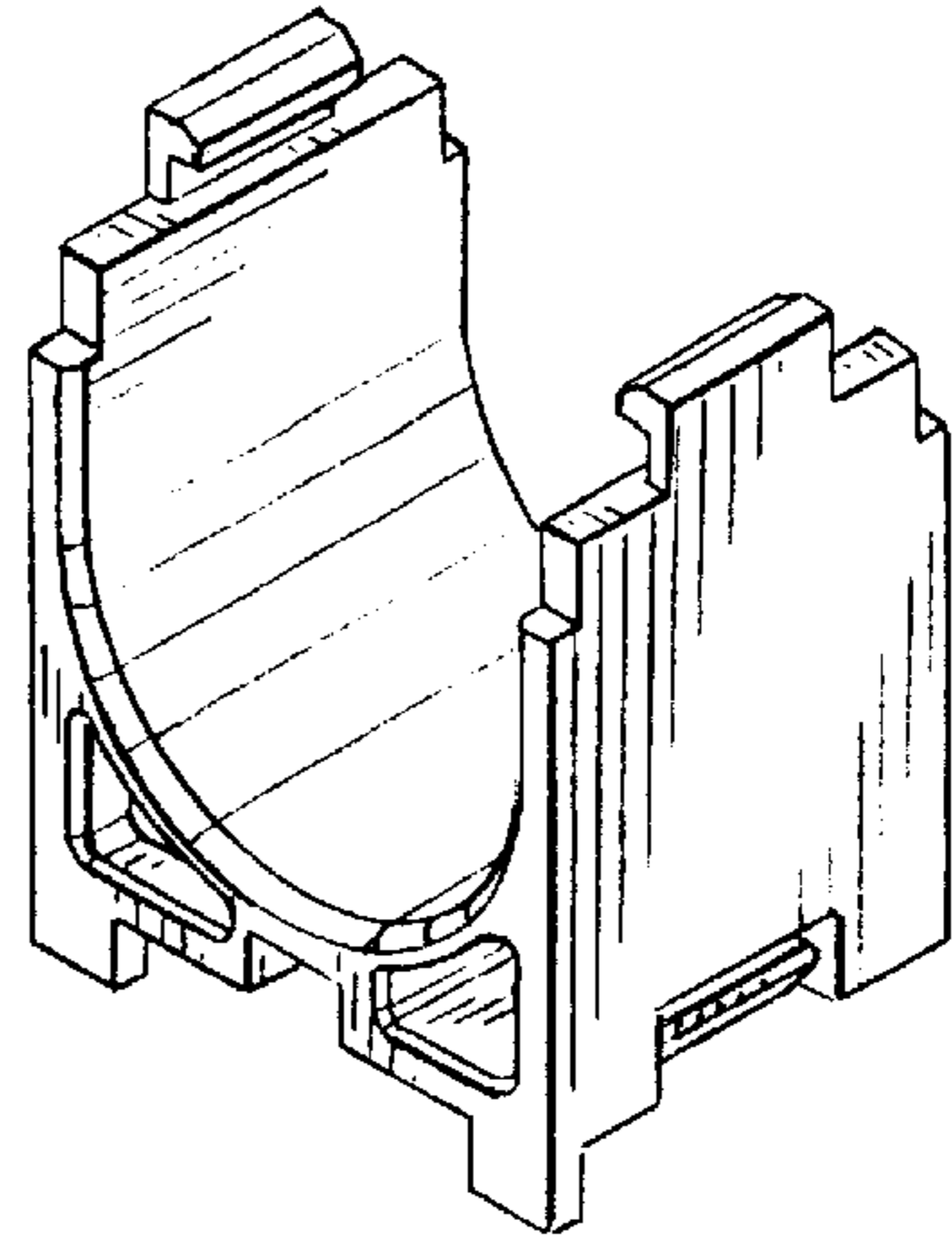


FIG. 2

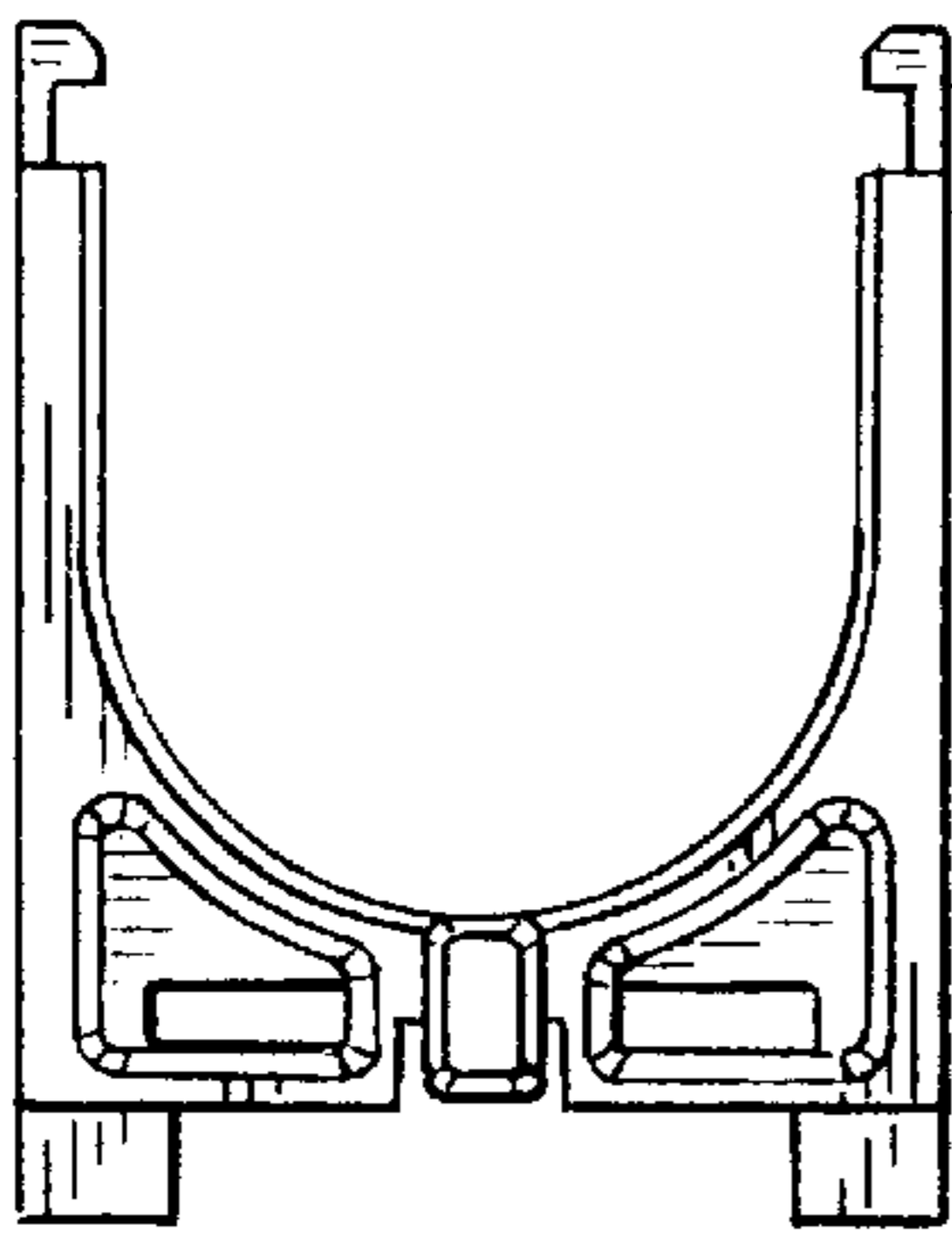


FIG. 3

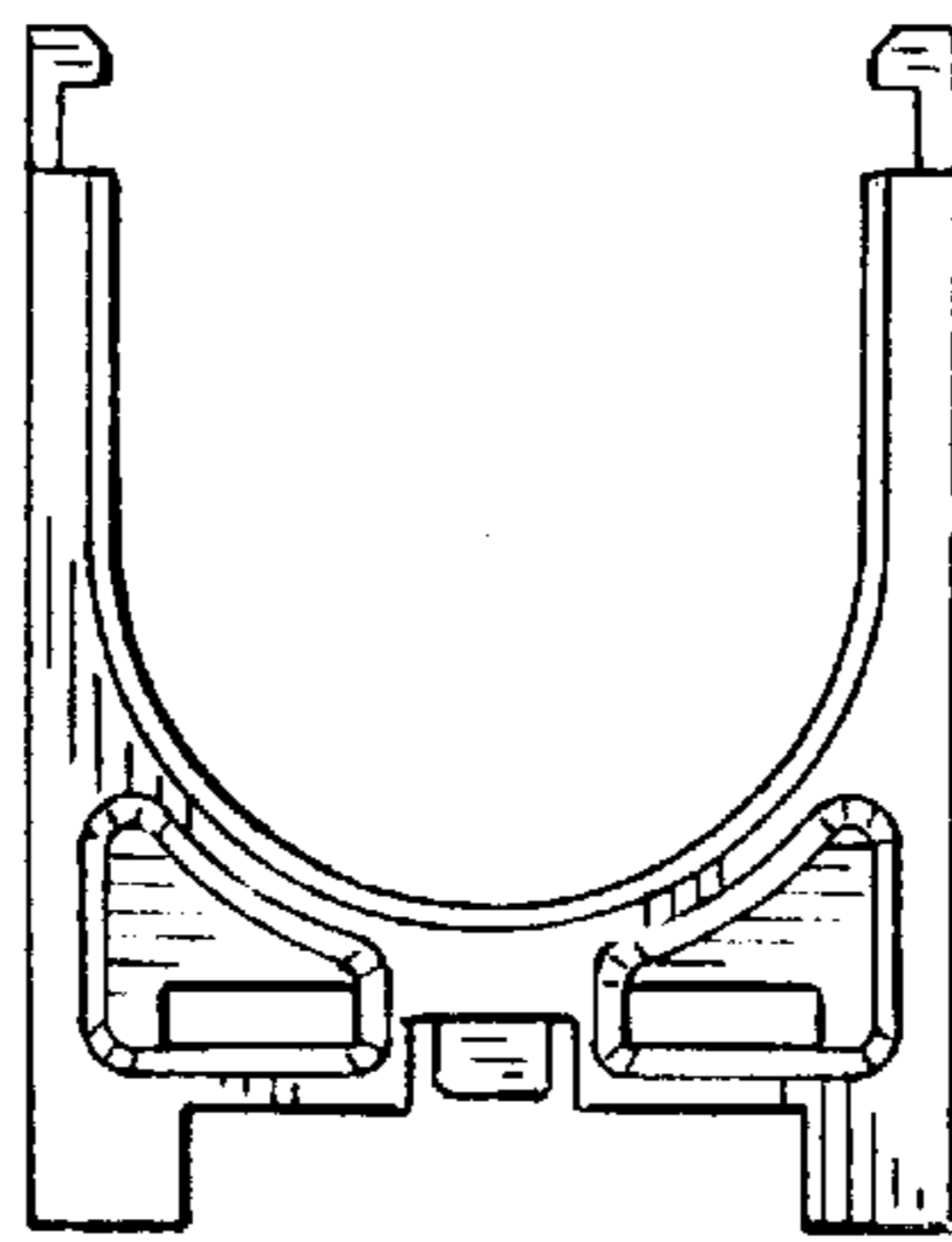


FIG. 4

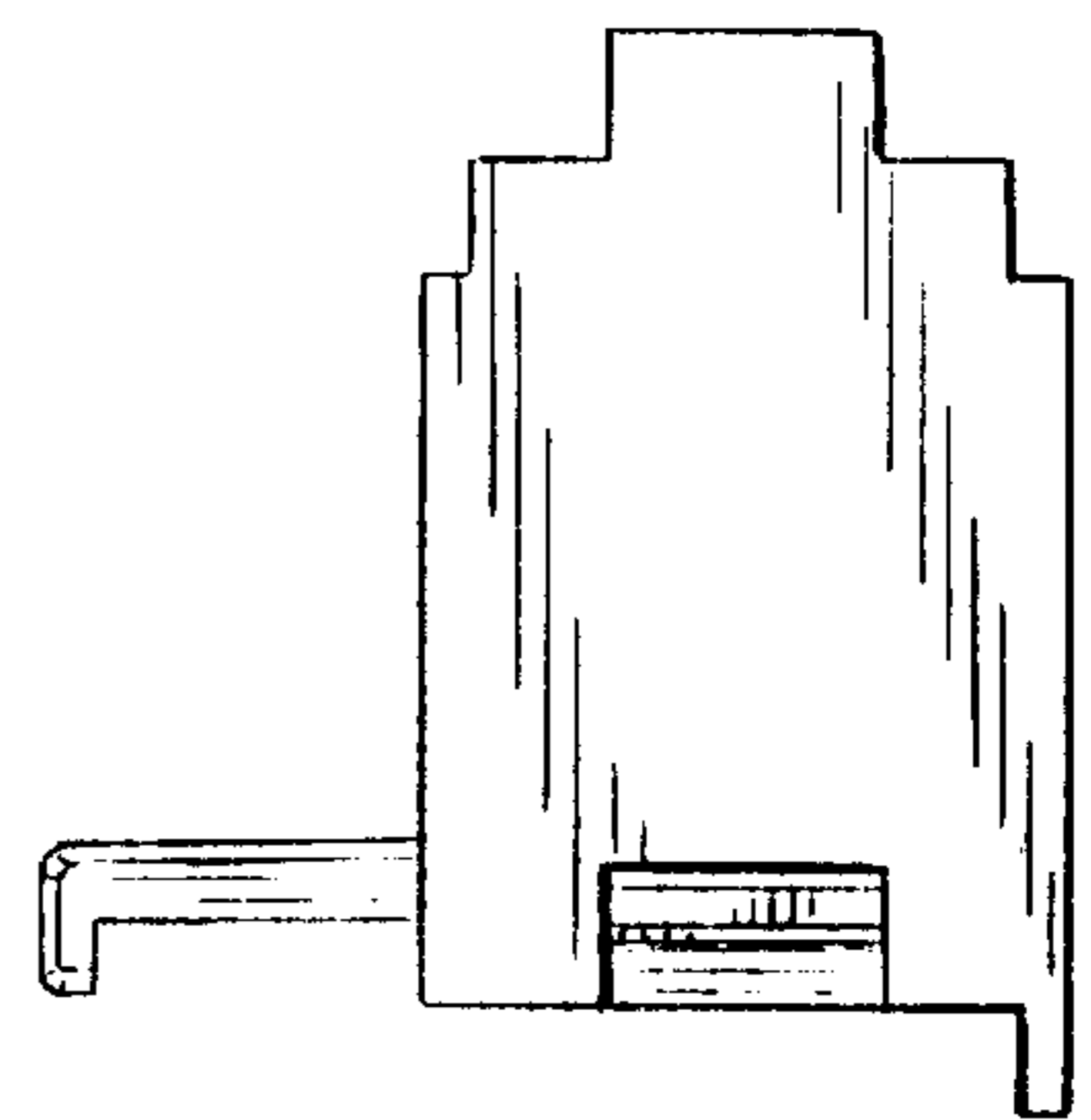


FIG. 5

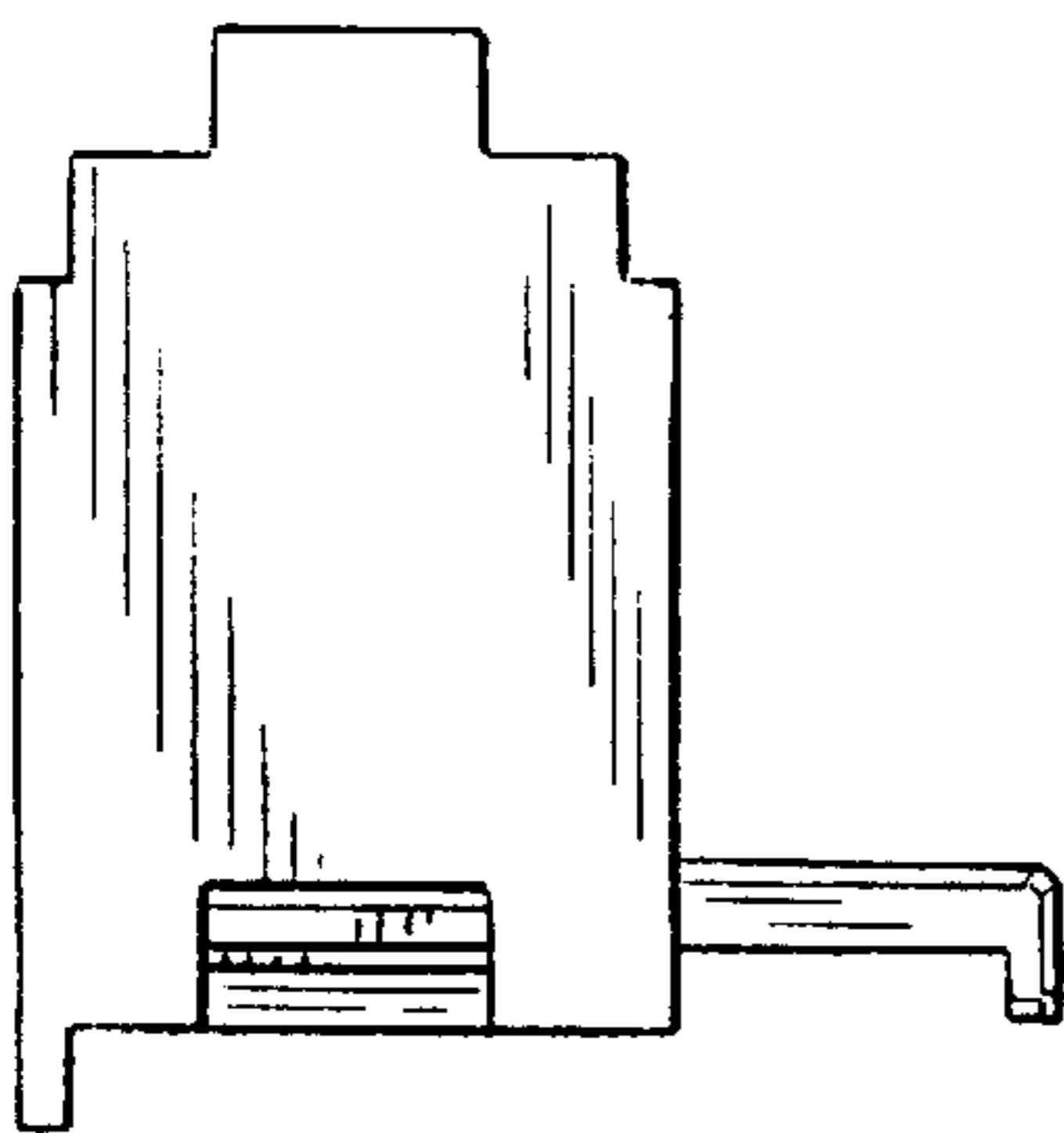


FIG. 6

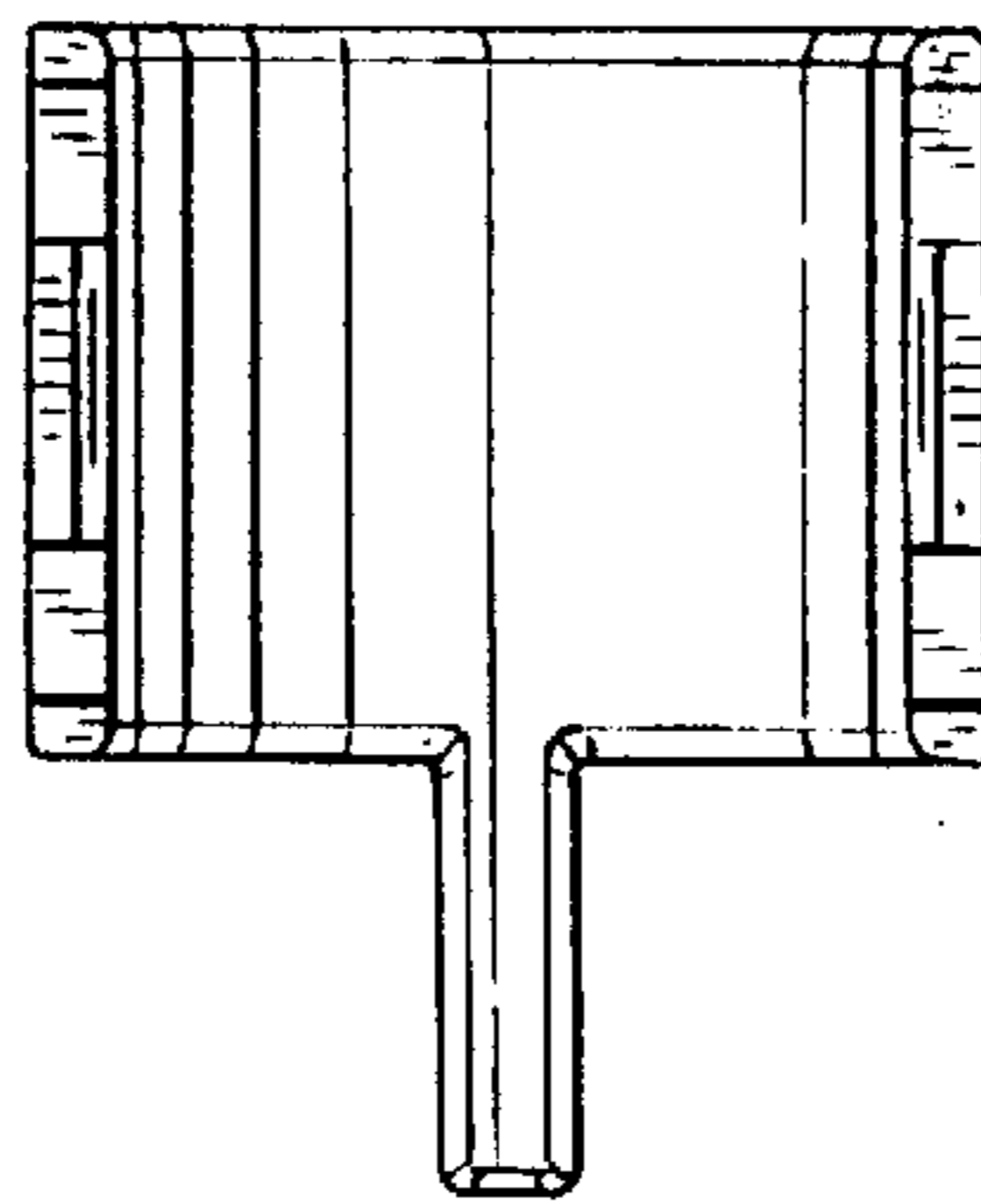


FIG. 7

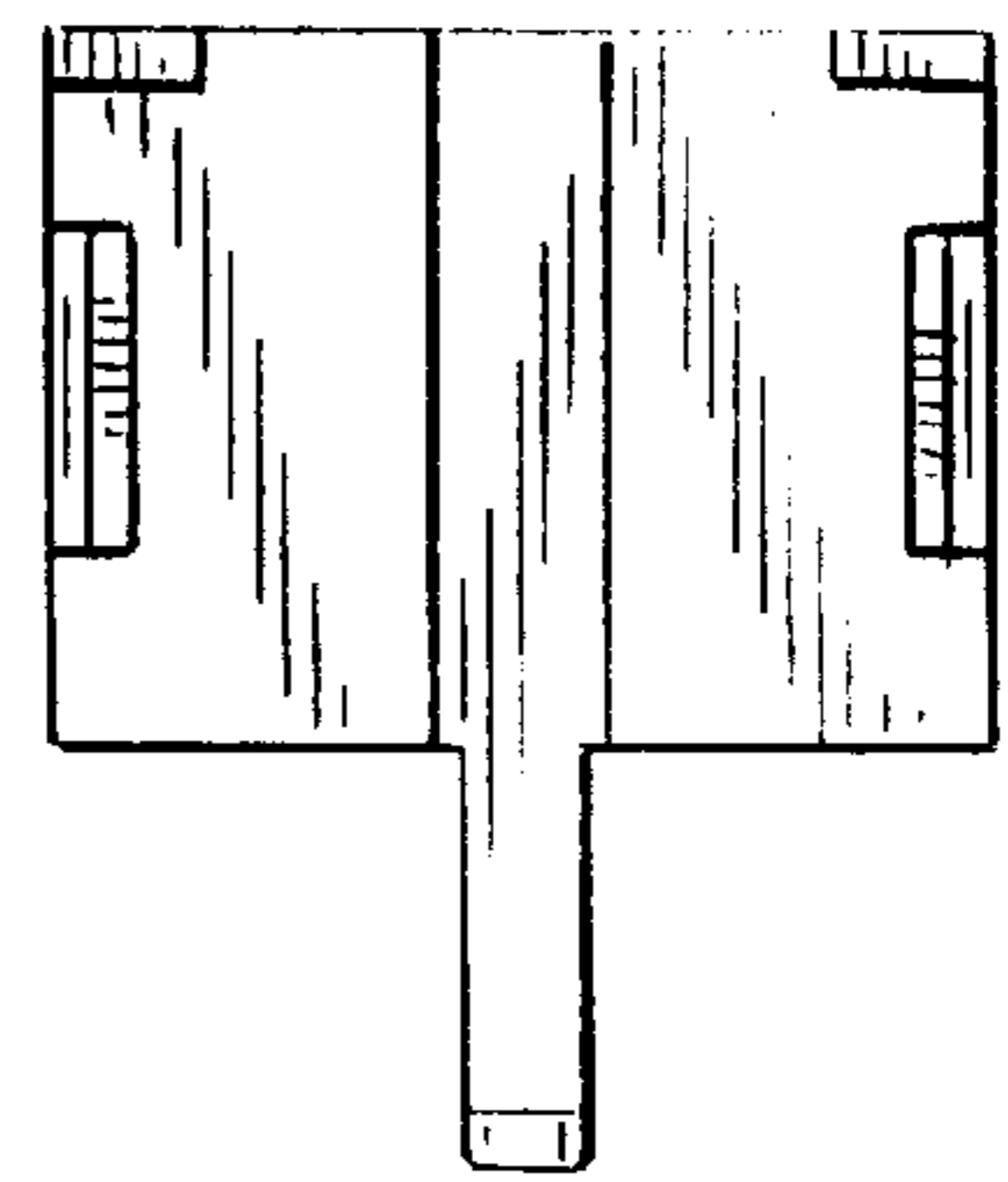


FIG. 8