



US00D422886S

**United States Patent** [19]  
**Shea**

[11] **Patent Number: Des. 422,886**

[45] **Date of Patent: \*\* Apr. 18, 2000**

[54] **PALLET RACK BRACKET**

[76] Inventor: **Thomas M. Shea**, 1343 Rochester Rd.,  
Suite 100, Troy, Mich. 48083

[\*\*] Term: **14 Years**

[21] Appl. No.: **29/108,185**

[22] Filed: **Jul. 22, 1999**

[51] **LOC (6) Cl.** ..... **08-05**

[52] **U.S. Cl.** ..... **D8/354**

[58] **Field of Search** ..... D8/349, 354; 248/300,  
248/200, 27.1

[56] **References Cited**

**U.S. PATENT DOCUMENTS**

1,632,537	6/1927	Briget .....	248/300 X
4,444,358	4/1984	Spohn .....	215/309 X
5,897,086	4/1999	Condon .....	248/220.1

**OTHER PUBLICATIONS**

Grammes Catalog, 1941, p. 52, bracket circled at top of  
page, Jan. 1941.

*Primary Examiner*—Holly Baynham

*Attorney, Agent, or Firm*—Gifford, Krass, Groh, Sprinkle,  
Anderson & Citkowski, P.C.

[57] **CLAIM**

I claim the ornamental design for a pallet rack bracket, as  
shown and described.

**DESCRIPTION**

FIG. 1 is a perspective view of the pallet rack bracket;

FIG. 2 is a top view of the present design as shown in FIG.  
1;

FIG. 3 is a rear view of the present design;

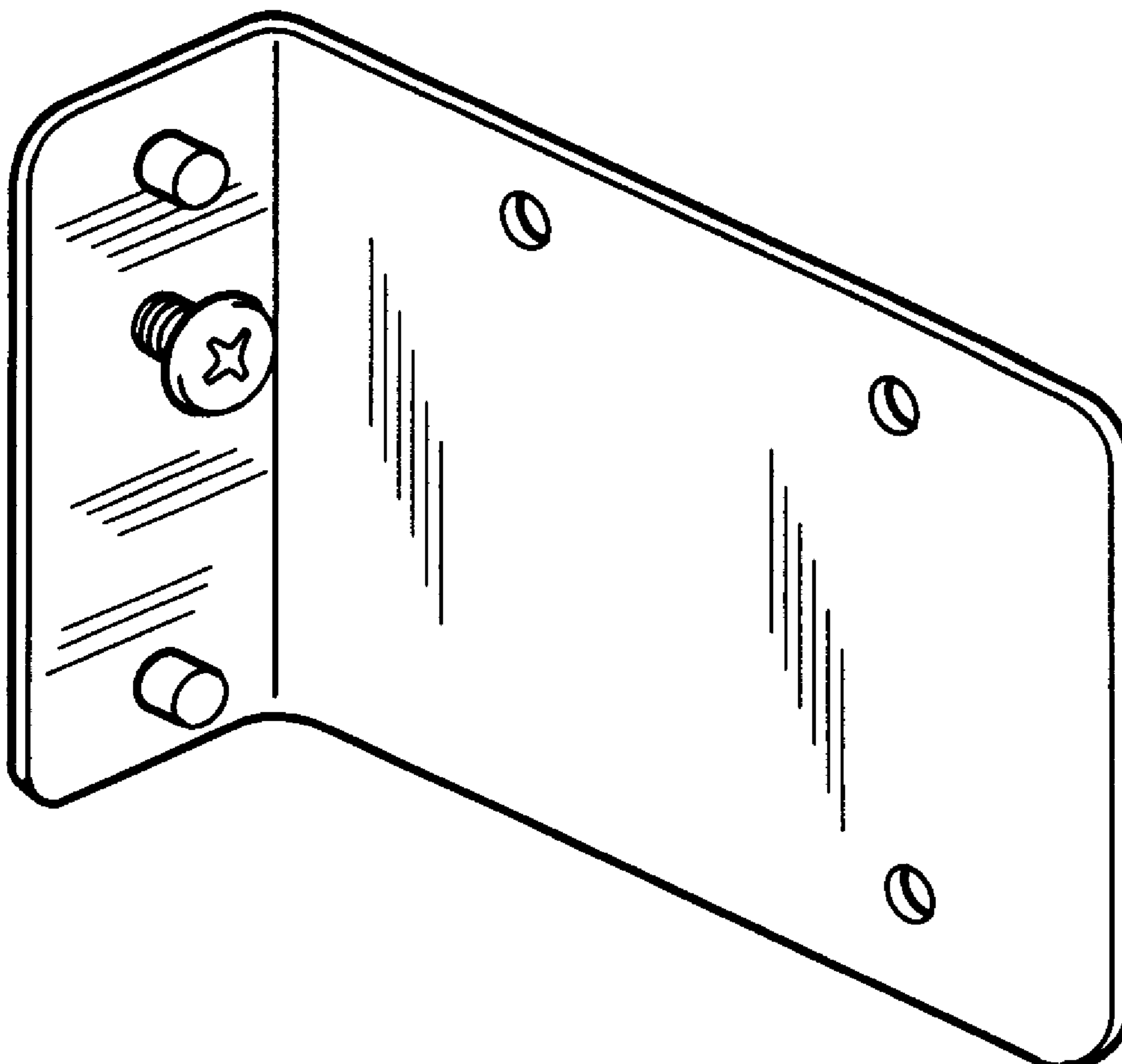
FIG. 4 is a left side view of the present design;

FIG. 5 is a front view of the present design;

FIG. 6 is a bottom view of the present design; and,

FIG. 7 is a right side view of the present design.

**1 Claim, 1 Drawing Sheet**



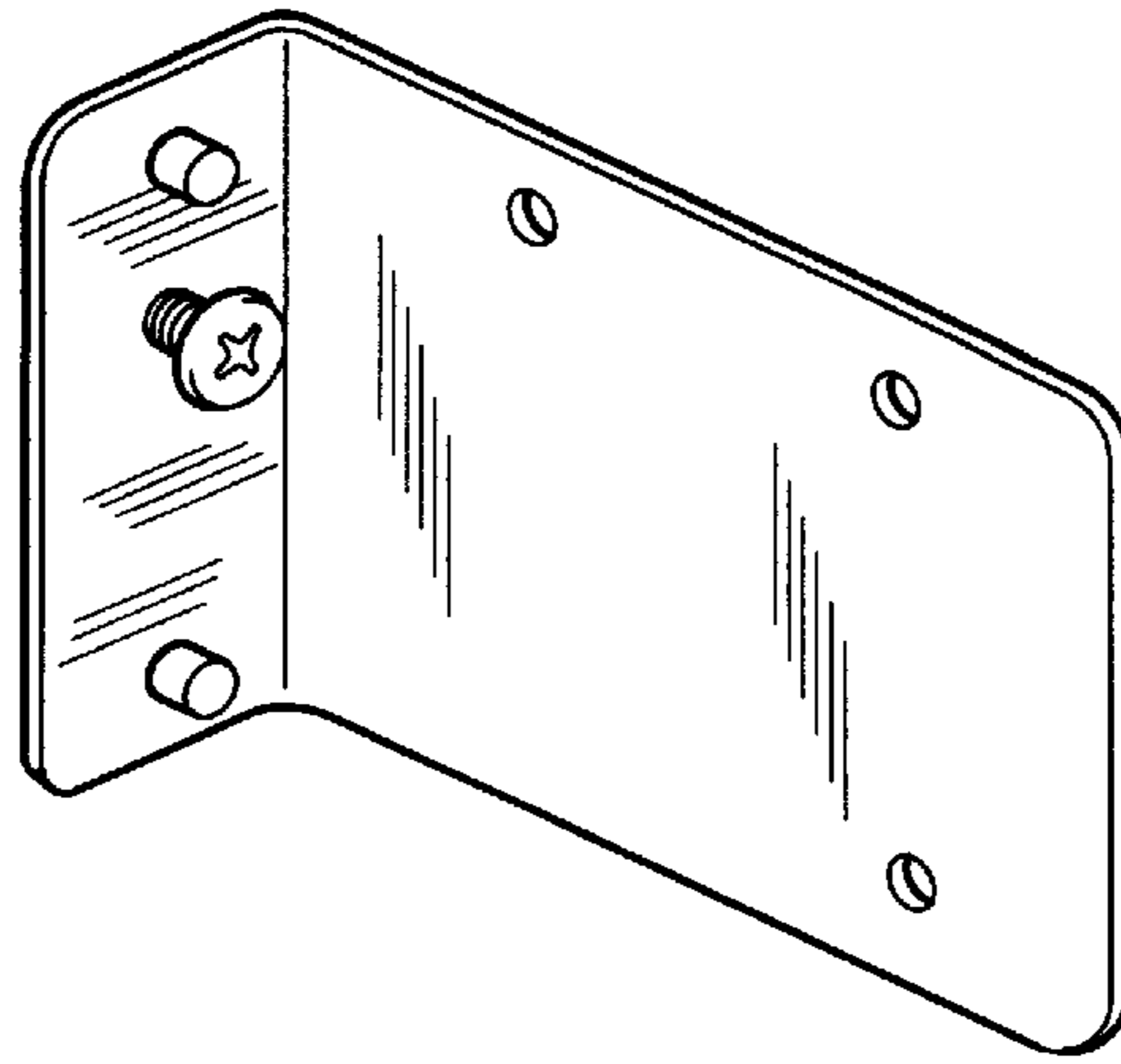


Fig-1

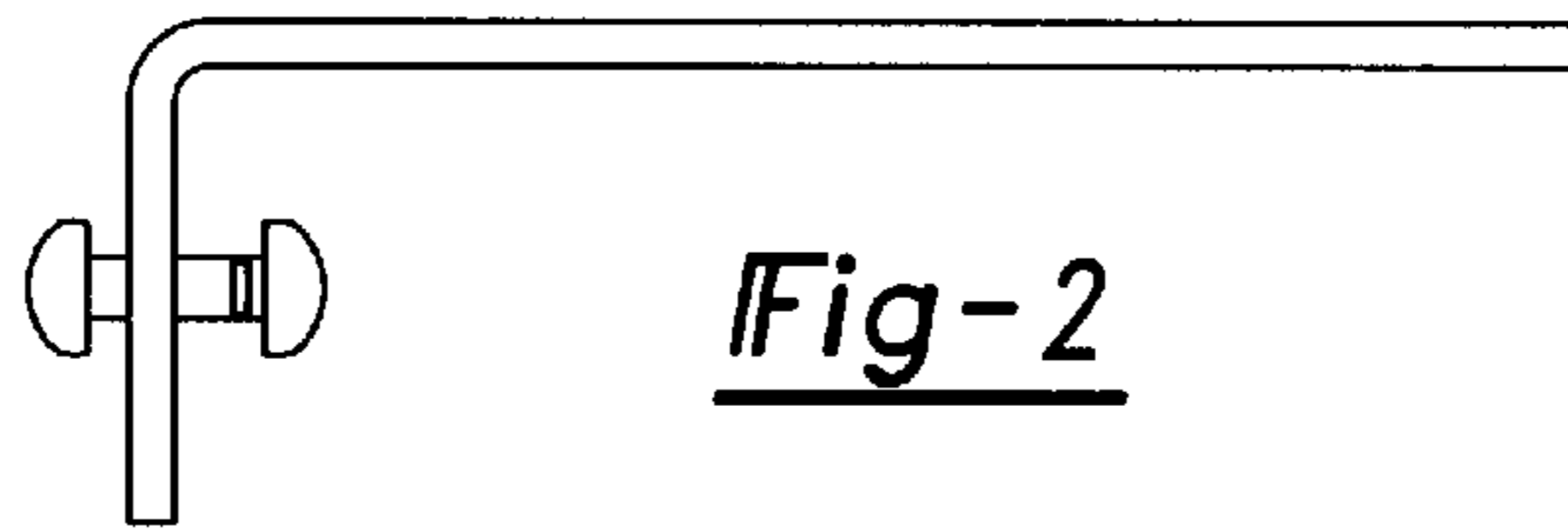


Fig-2

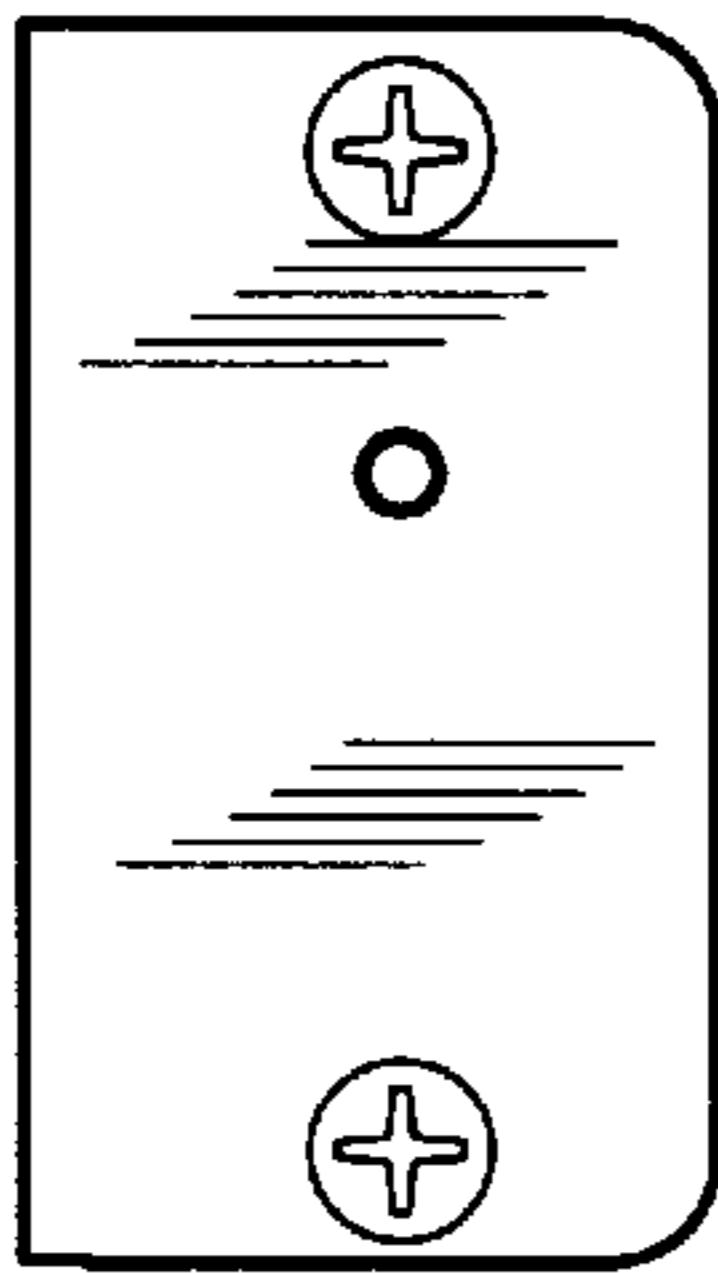


Fig-3

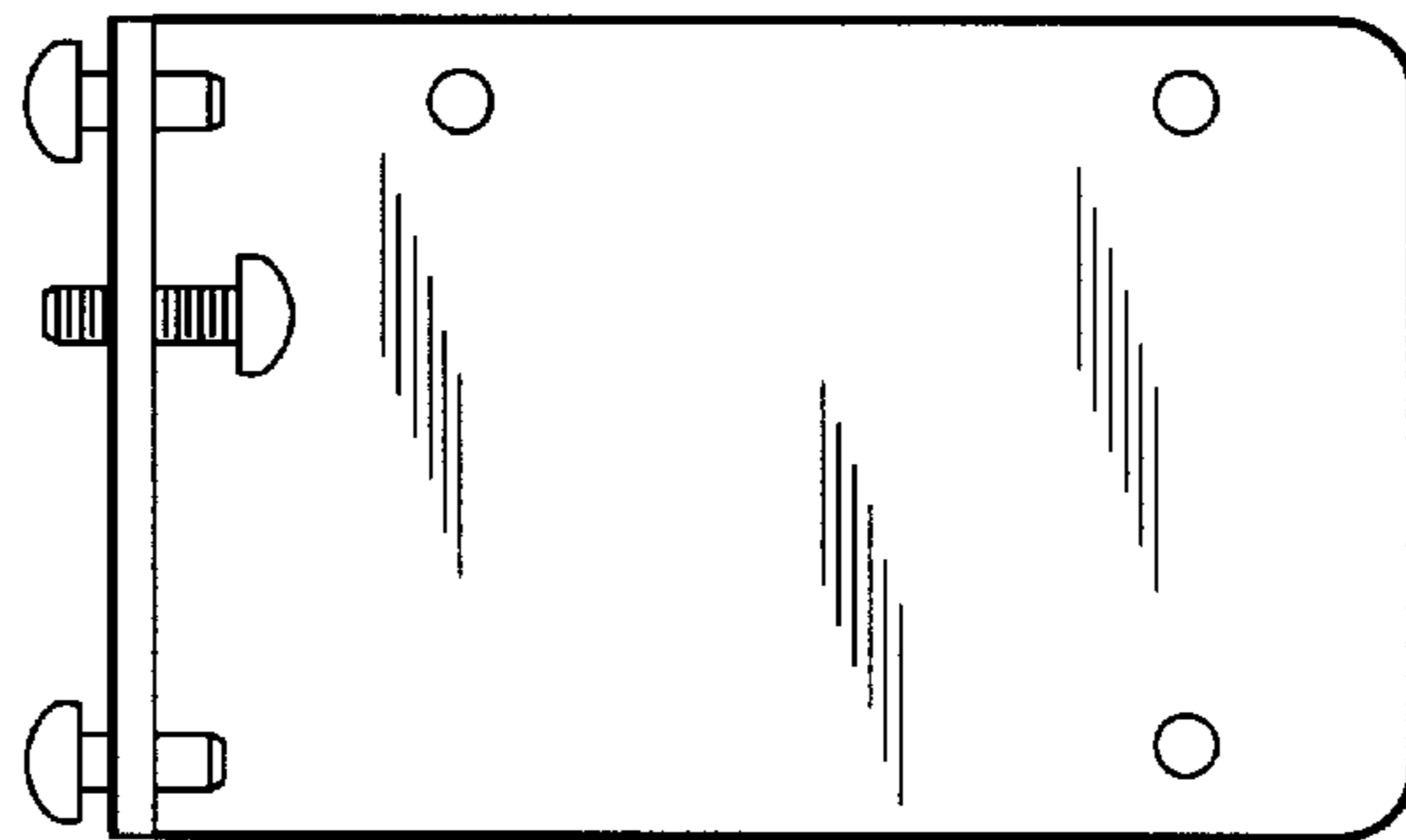


Fig-4

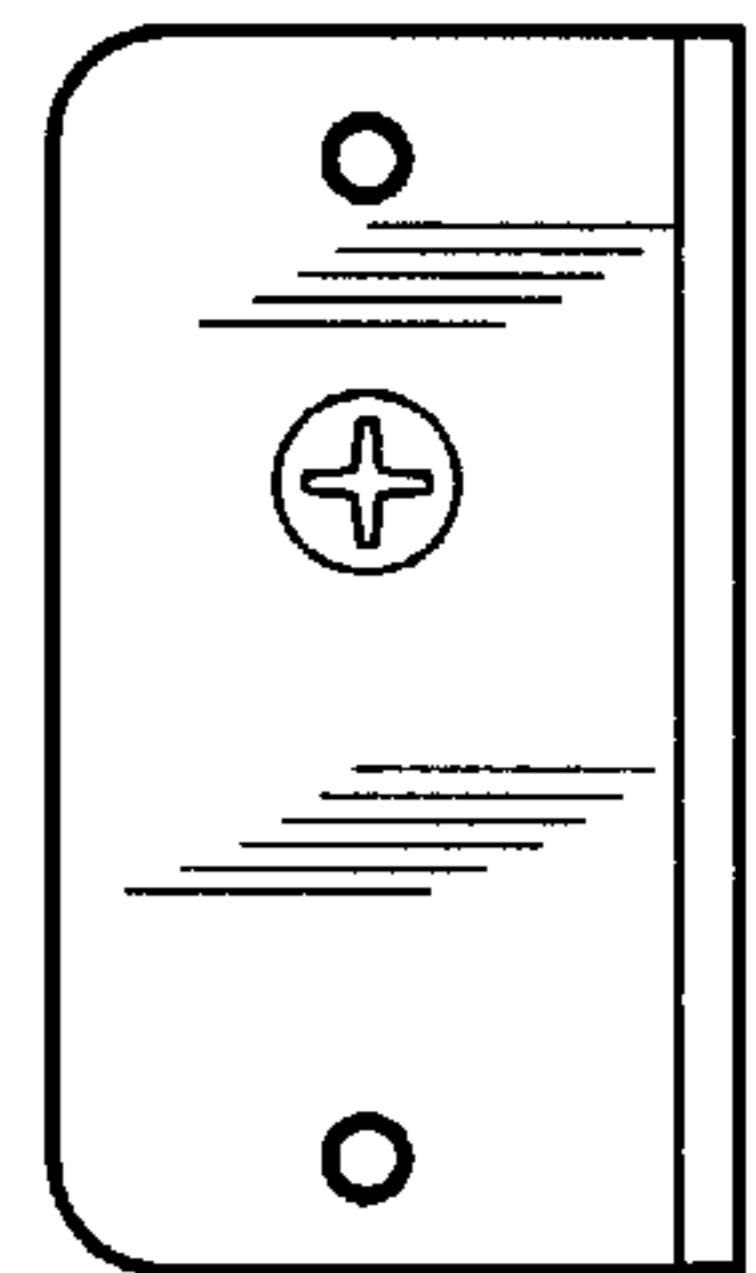


Fig-5

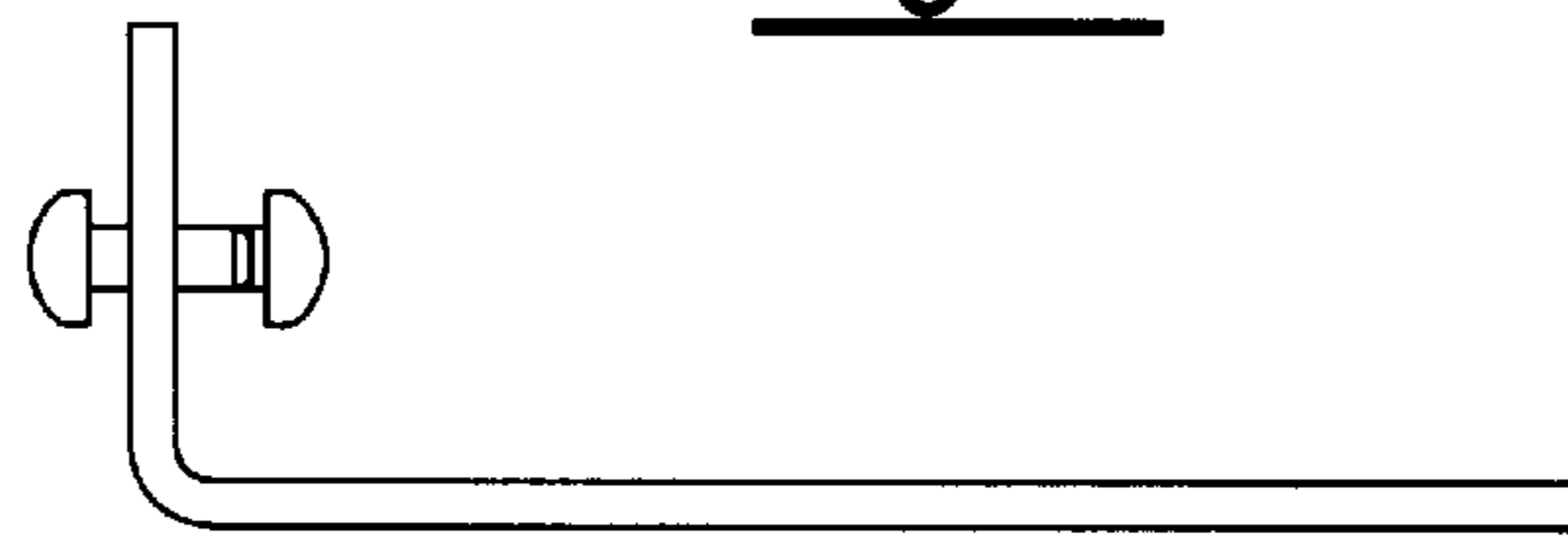


Fig-6

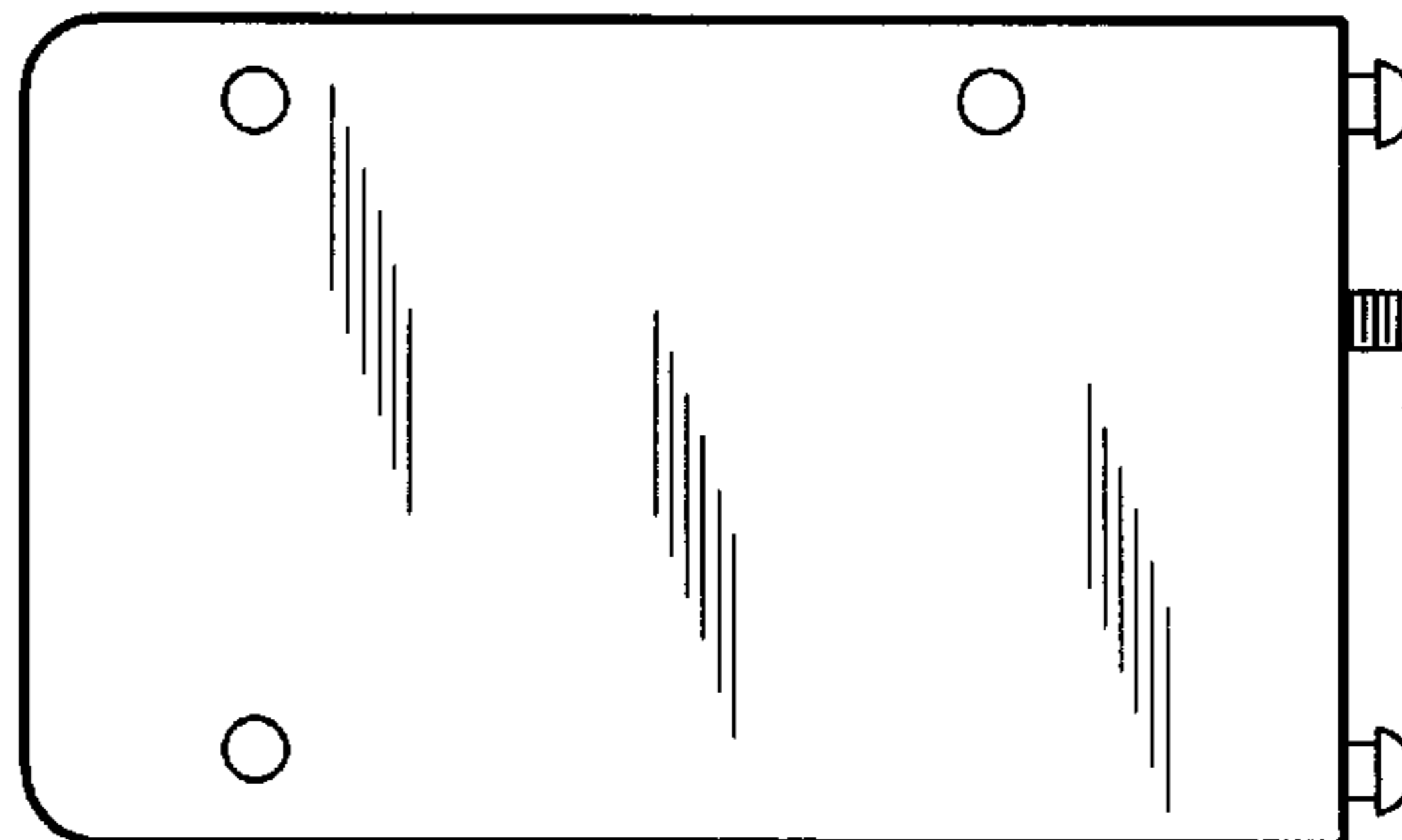


Fig-7