



US00D422885S

United States Patent [19]
Marino et al.

[11] **Patent Number: Des. 422,885**

[45] **Date of Patent: ** Apr. 18, 2000**

[54] **RAISED BED BRACKET**

5,149,040 9/1992 Heath 248/300

[75] Inventors: **Jeffrey R. Marino**, Fishkill; **Anthony G. Topping**, Carmel, both of N.Y.

Primary Examiner—Holly Baynham
Attorney, Agent, or Firm—Bruce E. Lilling

[73] Assignee: **Vegherb, LLC**, Carmel, N.Y.

[57] **CLAIM**

[**] Term: **14 Years**

The ornamental design for a raised bed bracket, as shown.

[21] Appl. No.: **29/103,740**

DESCRIPTION

[22] Filed: **Apr. 22, 1999**

FIG. 1 is a front perspective view of my new and novel design;

[51] **LOC (6) Cl.** **08-05**

FIG. 2 is a rear perspective view of my new and novel design;

[52] **U.S. Cl.** **D8/354**

FIG. 3 is an enlarged left side view of my new and novel design, the right side view being a mirror image thereof;

[58] **Field of Search** D8/349, 354, 363;
248/316.5; 5/301, 304

FIG. 4 is a reduced scale top view of my new and novel design;

[56] **References Cited**

FIG. 5 is a front view of my new and novel design;

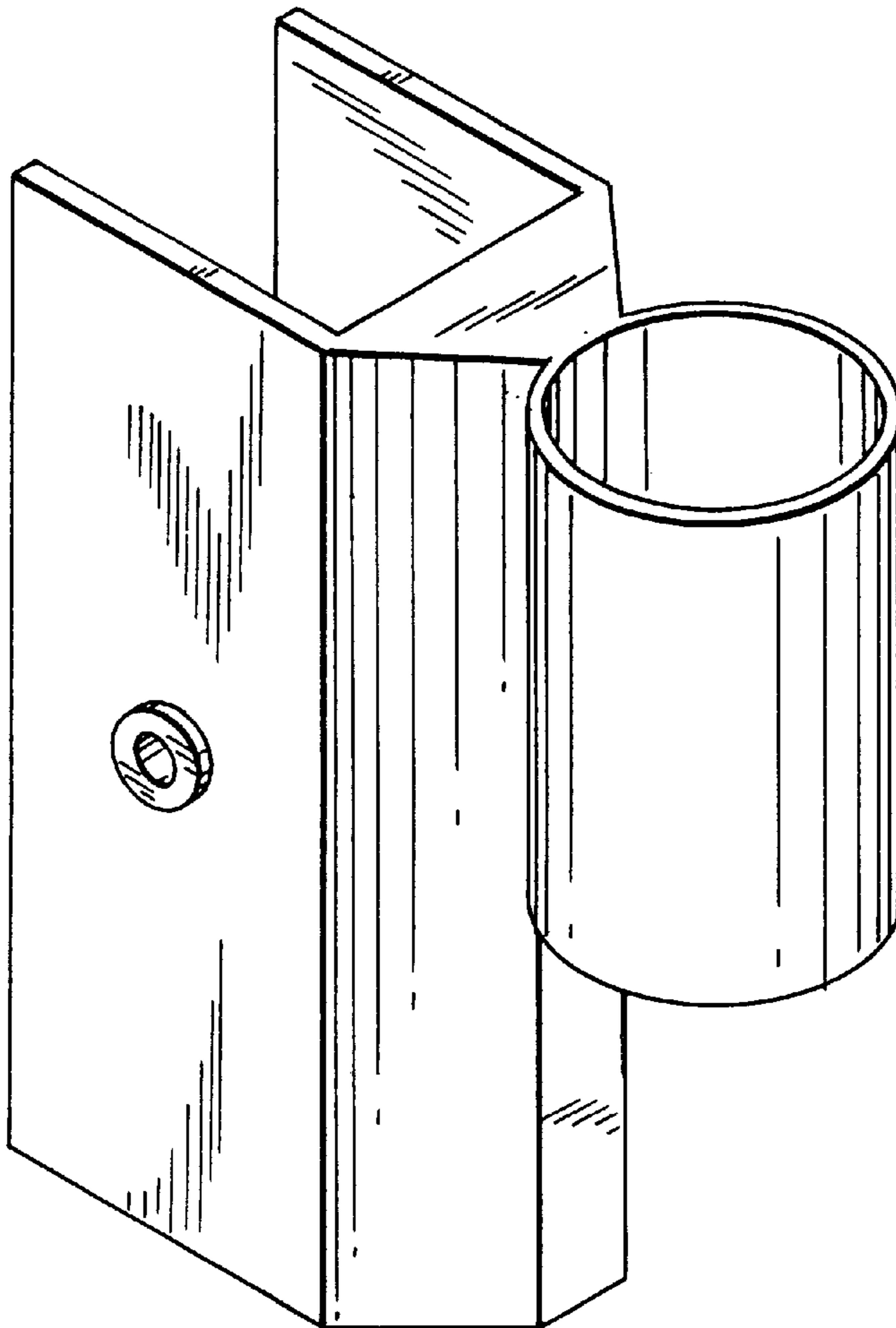
U.S. PATENT DOCUMENTS

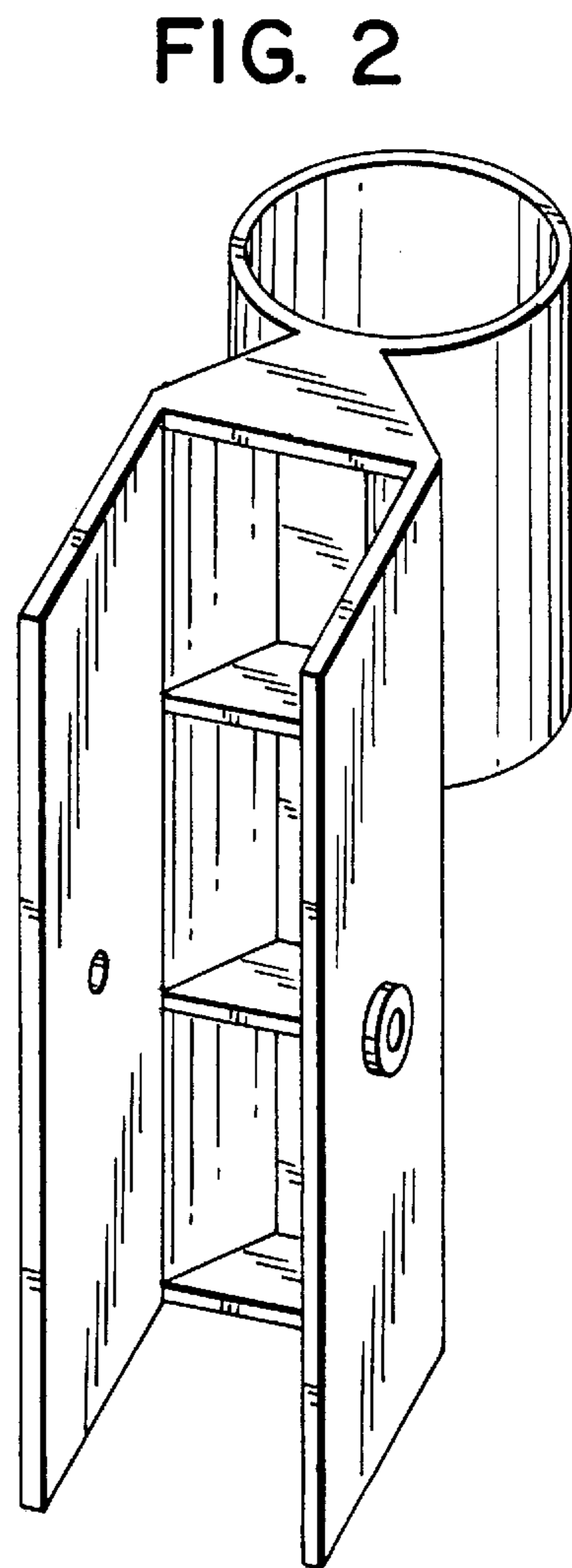
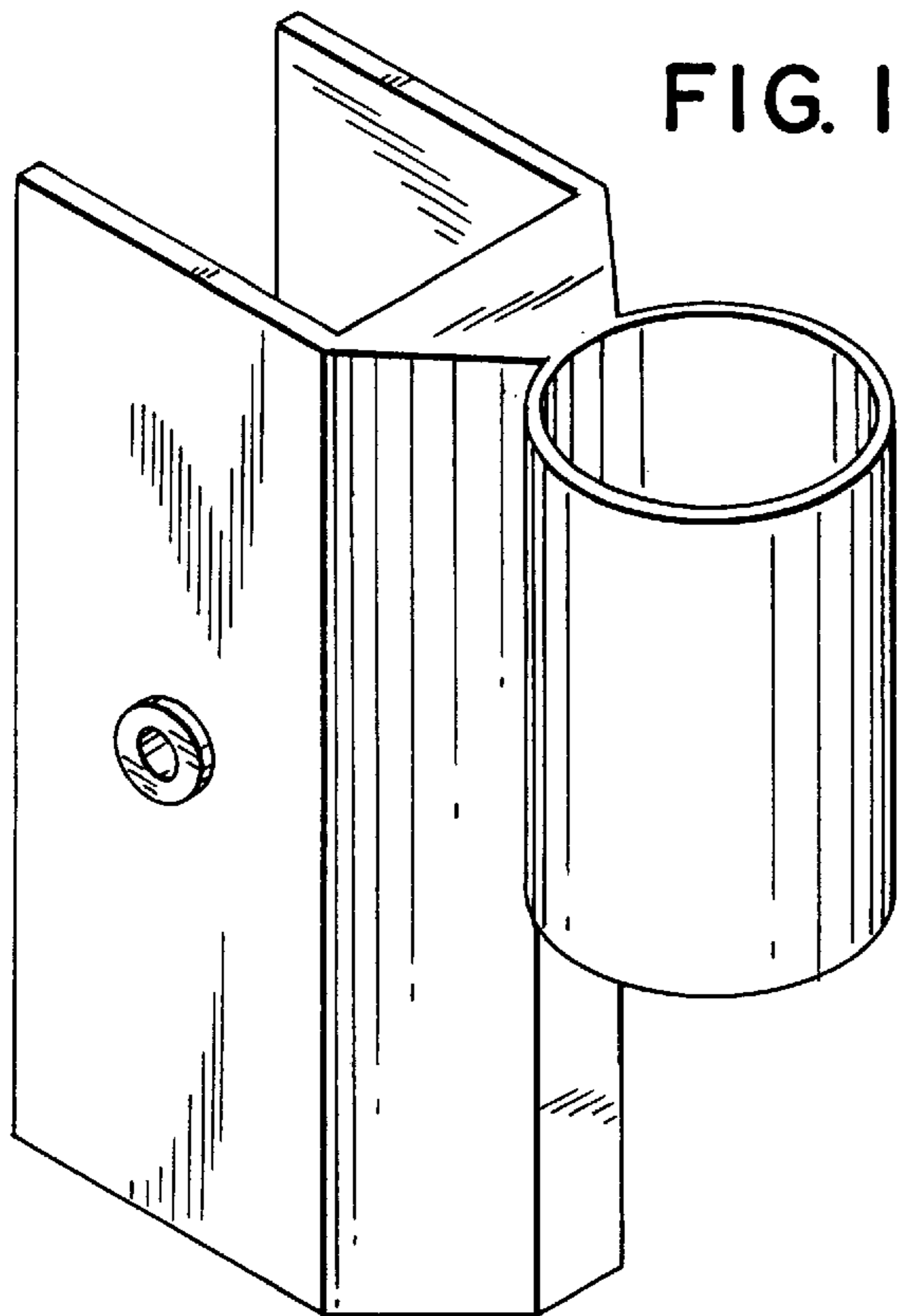
FIG. 6 is a rear view of my new and novel design; and,

901,992	10/1908	Netzel	5/304
1,429,776	9/1922	Robinson	248/74.2
4,285,486	8/1981	Von Osten et al.	248/316.5

FIG. 7 is a bottom view of my new and novel design.

1 Claim, 3 Drawing Sheets





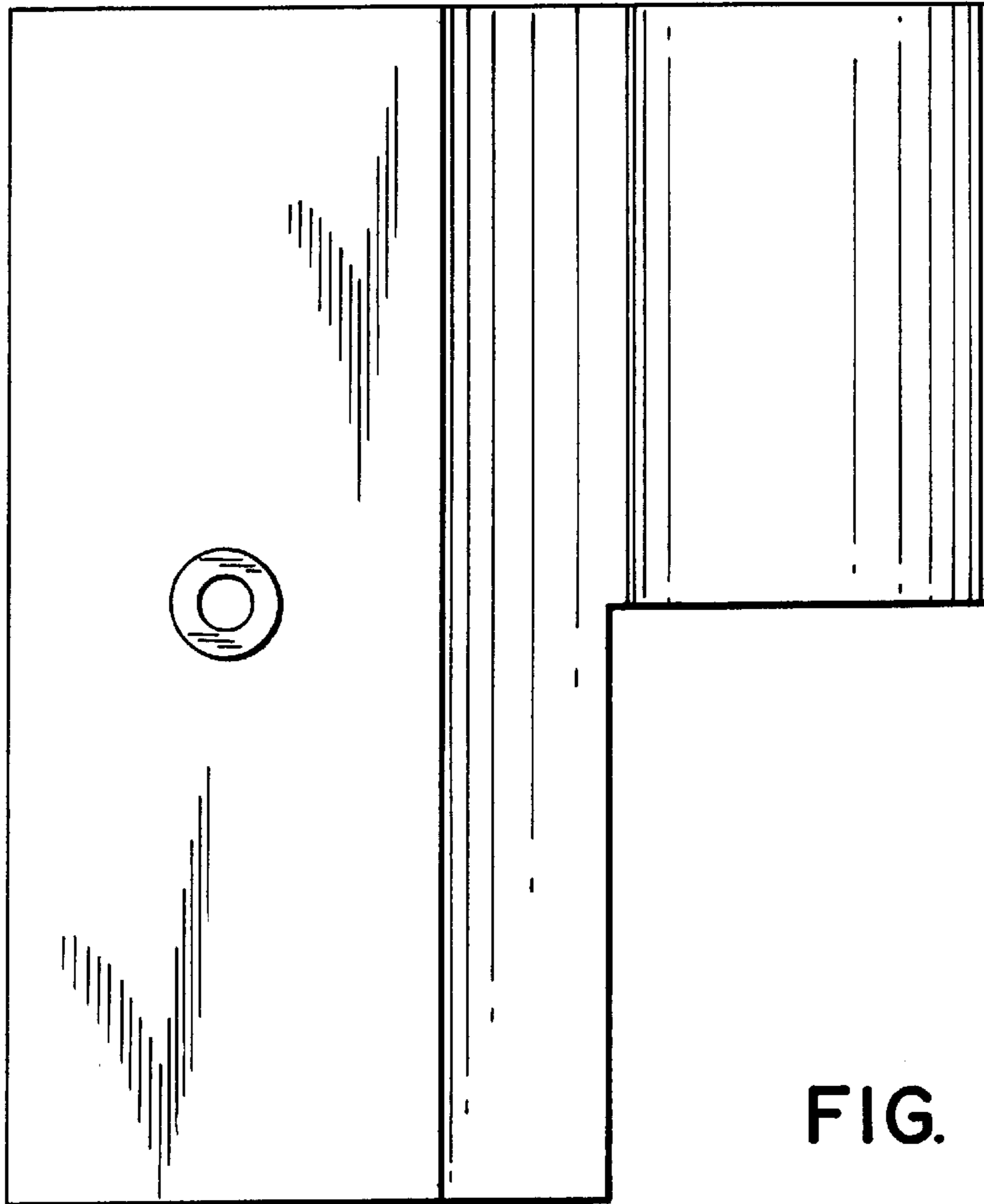


FIG. 3

FIG. 4

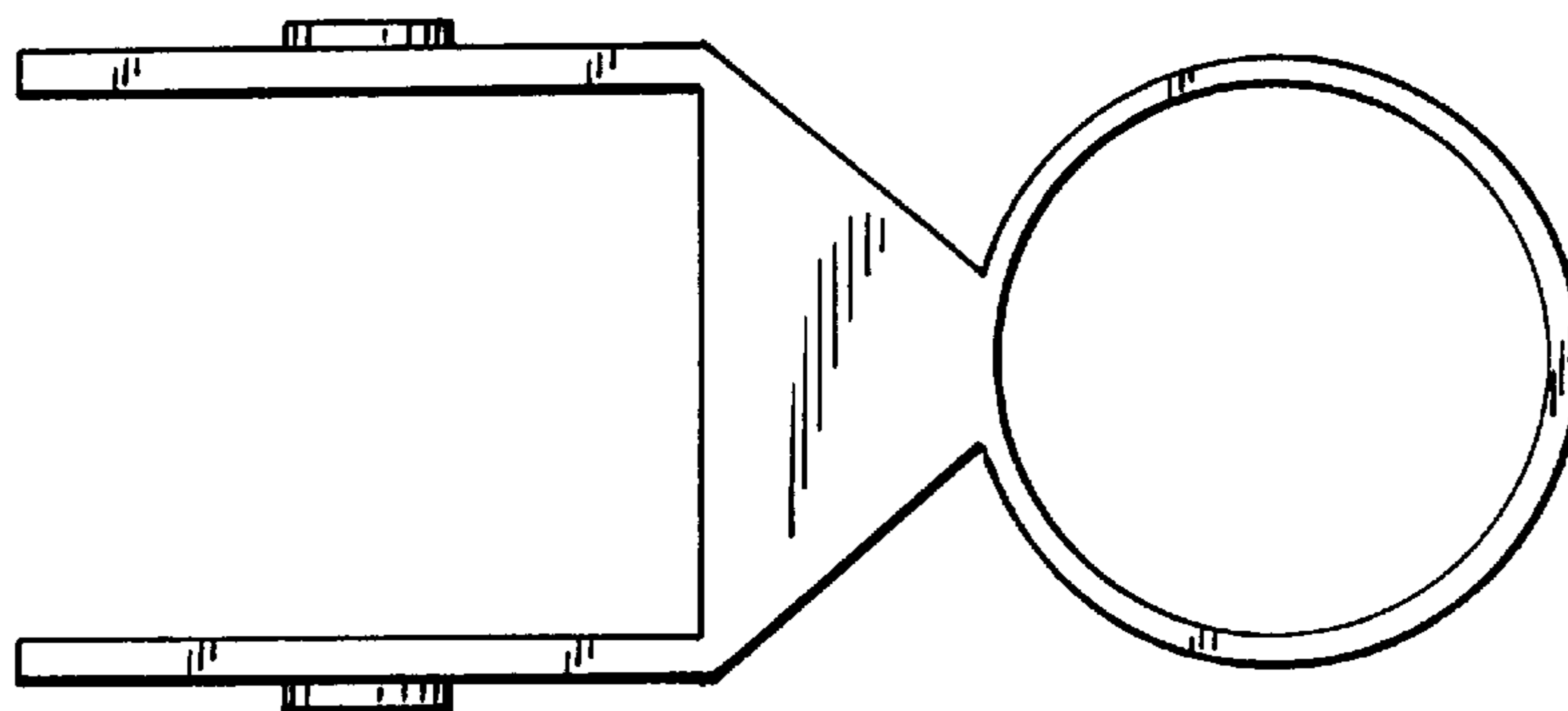


FIG. 5

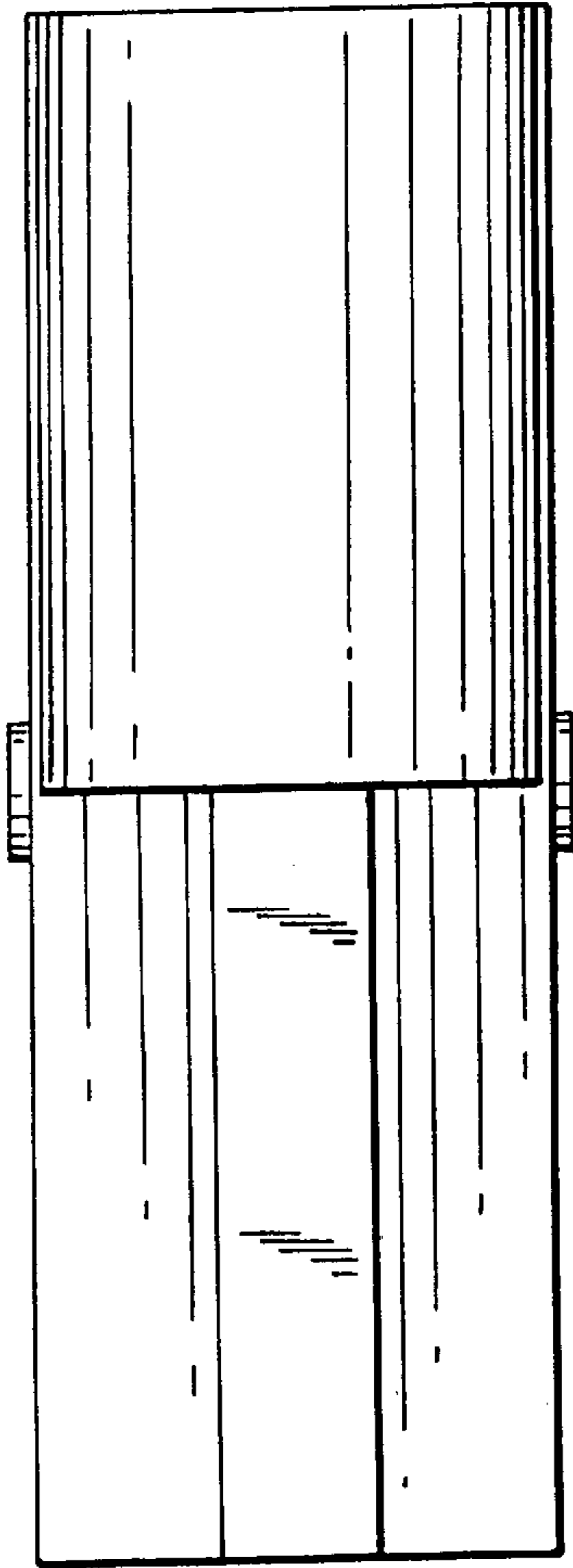


FIG. 6

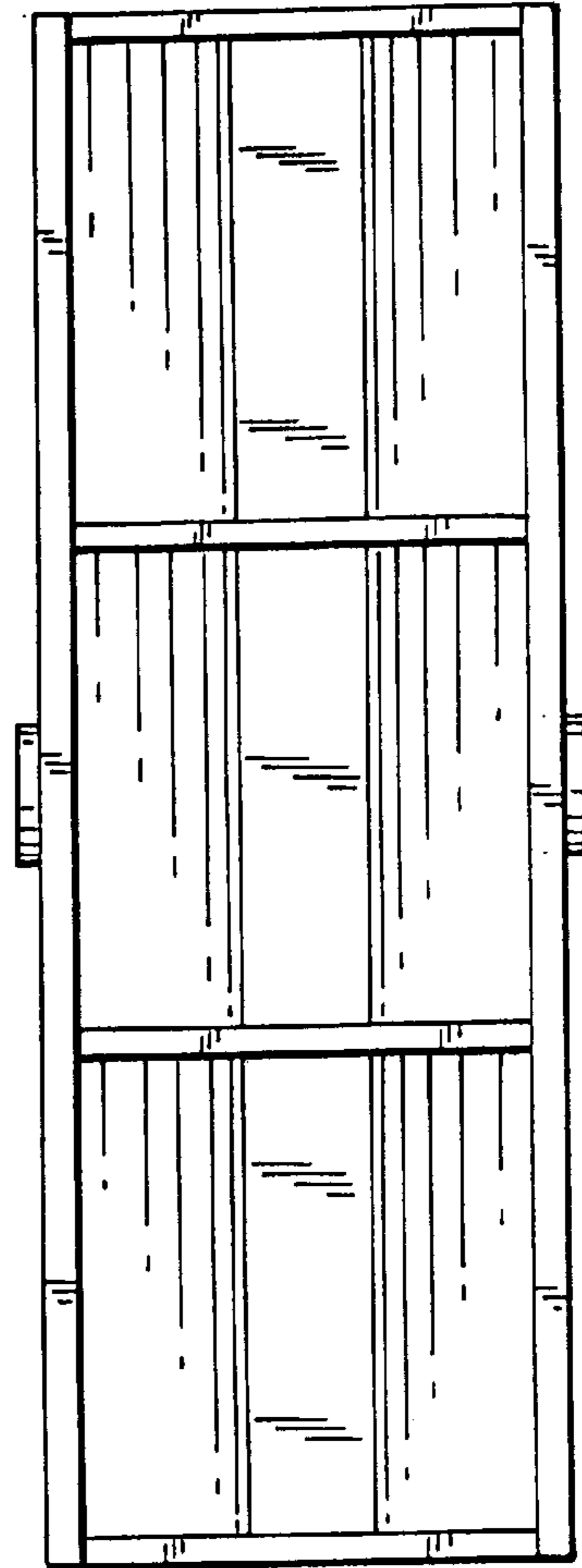


FIG. 7

