



US00D422883S

**United States Patent** [19]  
**Markbreit**

[11] **Patent Number: Des. 422,883**

[45] **Date of Patent: \*\* Apr. 18, 2000**

[54] **KEY BOW**

[75] Inventor: **Dani Markbreit**, Azur, Israel

[73] Assignee: **Mul-T-Lock Technologies Ltd**, Yaune, Israel

[\*\*] Term: **14 Years**

[21] Appl. No.: **29/095,668**

[22] Filed: **Oct. 28, 1998**

[51] **LOC (6) Cl.** ..... **08-07**

[52] **U.S. Cl.** ..... **D8/347**

[58] **Field of Search** ..... D8/347, 348; 70/336, 70/408, 460, 402, 405, 393, 416

[56] **References Cited**

**U.S. PATENT DOCUMENTS**

D. 157,736	3/1950	Cerf, Jr.	.....	D8/347
D. 272,516	2/1984	Ohno	.....	D8/347
D. 344,011	2/1994	Carsello	.....	D8/347
D. 357,622	4/1995	Boutin	.....	D8/347
D. 370,169	5/1996	Widen	.....	D8/347

**OTHER PUBLICATIONS**

Item #S1127FD, p. 40, ILCO Unican Key Blanks Catalog, 1984.

*Primary Examiner*—Susan J. Lucas  
*Assistant Examiner*—Jennifer Rivard  
*Attorney, Agent, or Firm*—Bruce E. Lilling

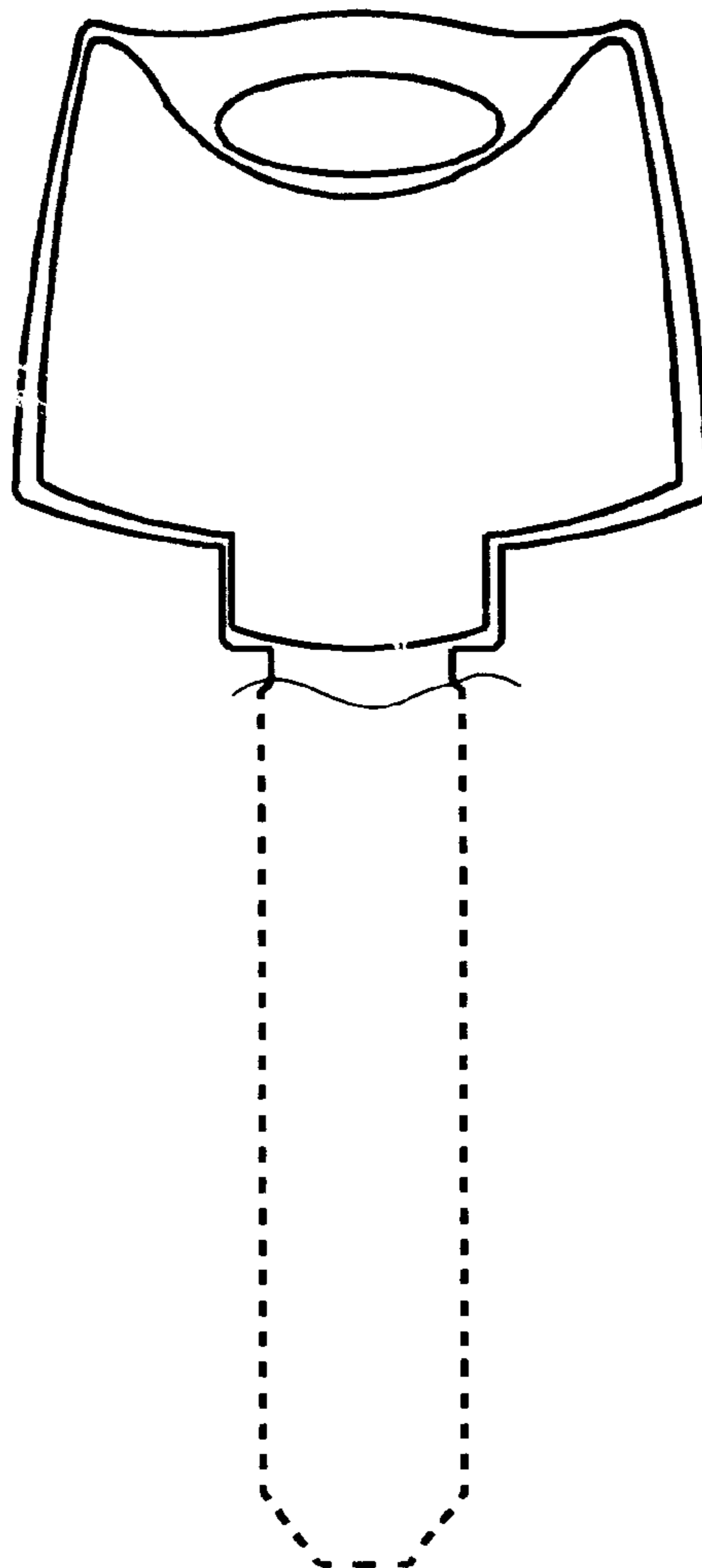
[57] **CLAIM**

The ornamental design for a key bow, as shown and described.

**DESCRIPTION**

FIG. 1 is a left view of my new and novel design; FIG. 2 is a front view of my new and novel design; FIG. 3 is a right view of my new and novel design; FIG. 4 is a top view of my new and novel design; FIG. 5 is a back view of my new and novel design; FIG. 6 is a bottom view of my new and novel design; and, FIG. 7 is an isometric view of my new and novel design. The broken lines are shown for illustrative purposes only and form no part of the claim design.

**1 Claim, 1 Drawing Sheet**



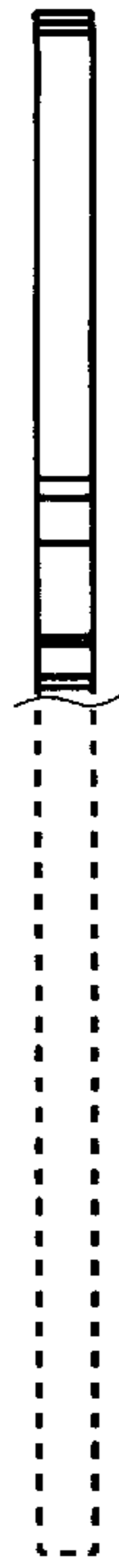


FIG. 1

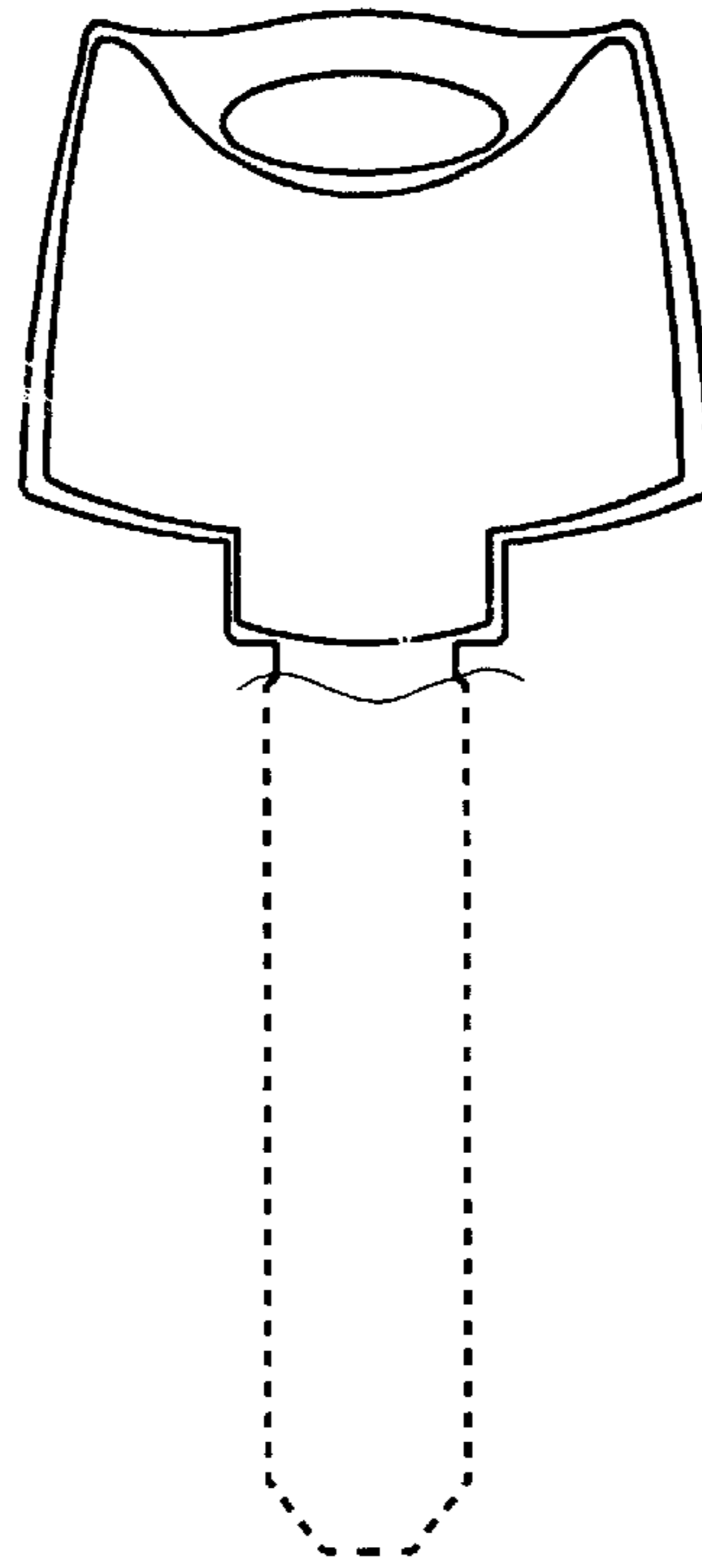


FIG. 2



FIG. 3



FIG. 4

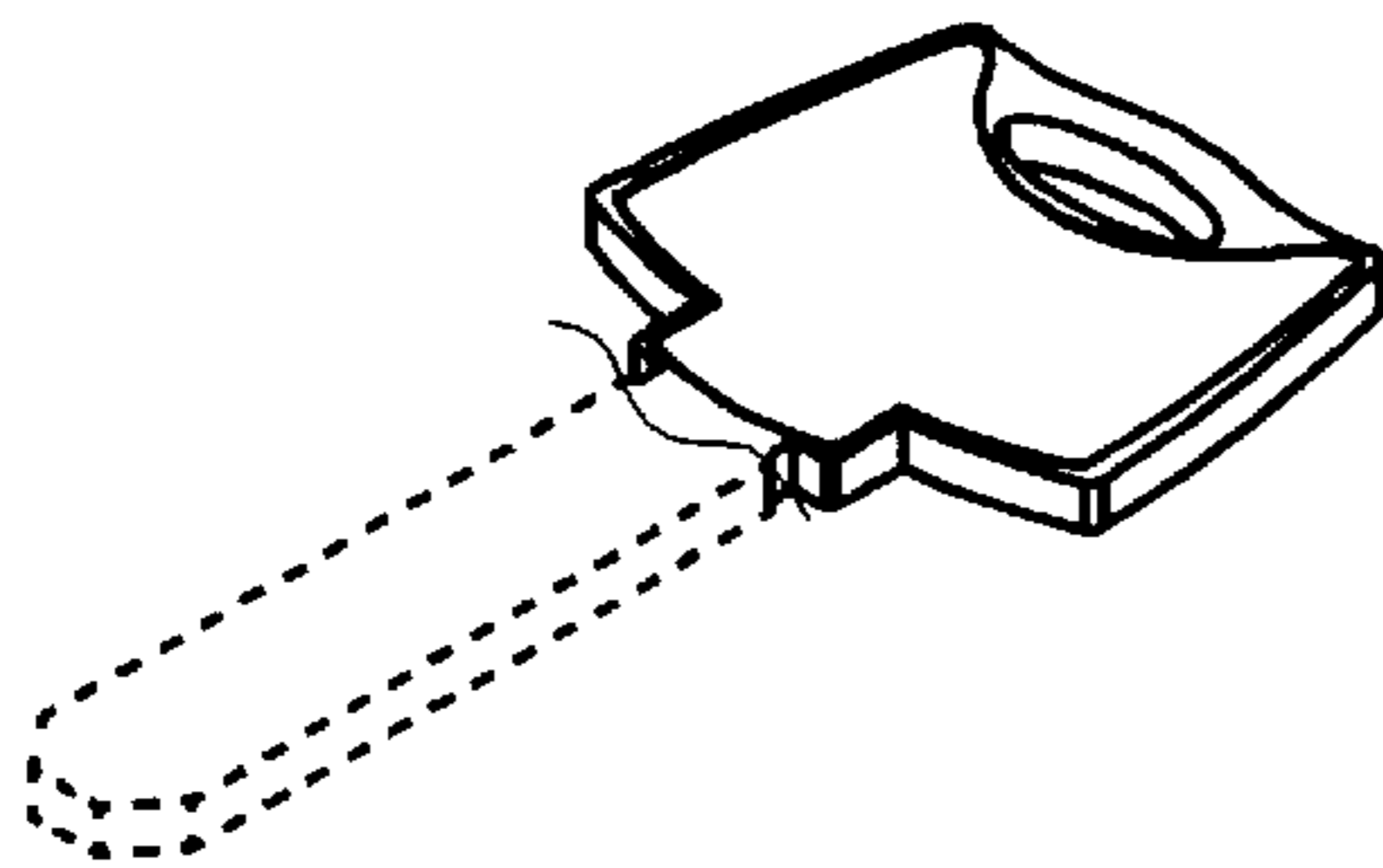


FIG. 7

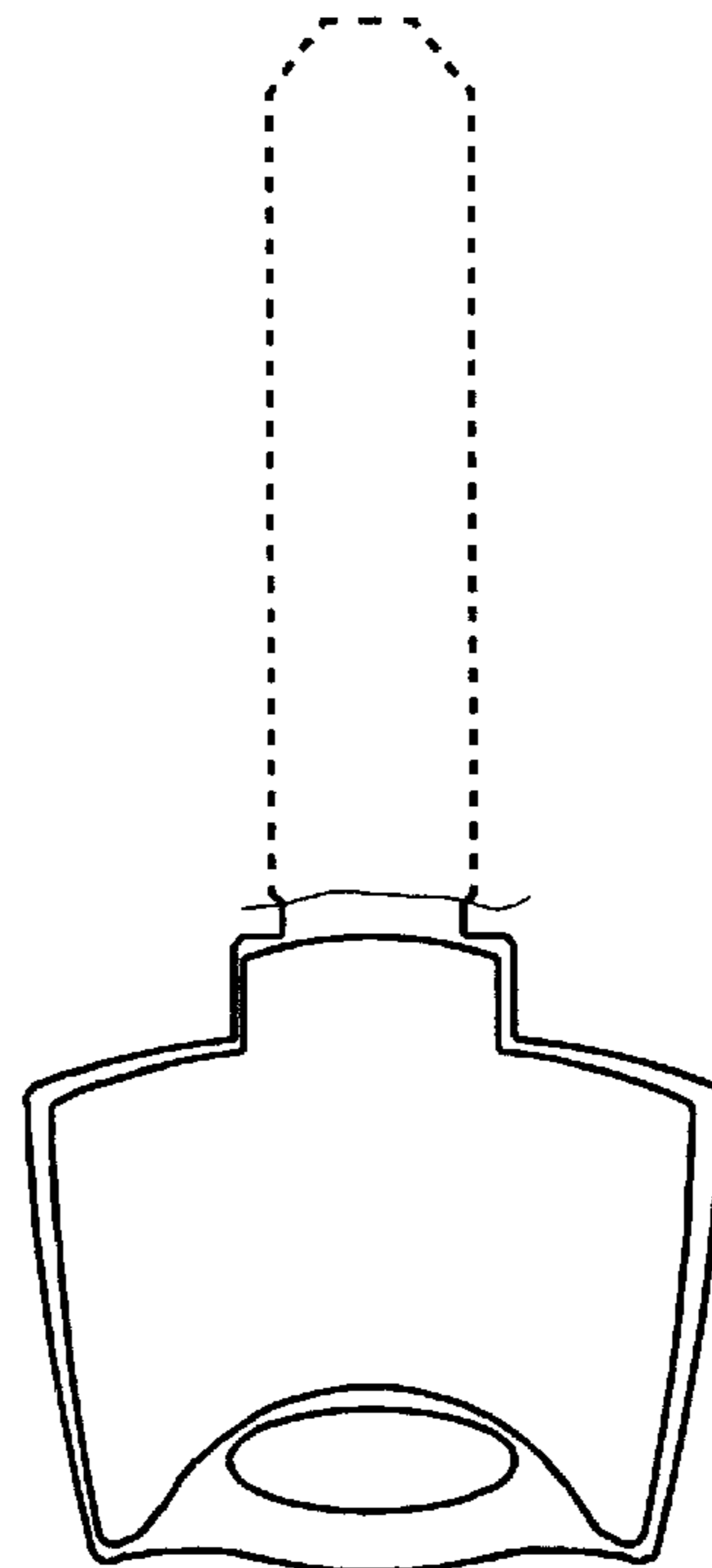


FIG. 5



FIG. 6