



US00D422874S

United States Patent [19] Forbes

[11] **Patent Number: Des. 422,874**

[45] **Date of Patent: ** Apr. 18, 2000**

[54] **ENVELOPE OPENER**

[75] Inventor: **John R. Forbes**, Media, Pa.

[73] Assignee: **Opex Corporation**, Moorestown, N.J.

[**] Term: **14 Years**

[21] Appl. No.: **29/096,656**

[22] Filed: **Nov. 17, 1998**

3,943,807	3/1976	Bingham .	
4,576,287	3/1986	Bingham .	
4,741,105	5/1988	Wong	30/DIG. 3
5,156,515	10/1992	Charron .	
5,443,253	8/1995	Dale .	
5,470,182	11/1995	Krupotich et al.	30/DIG. 3

Primary Examiner—Louis S. Zarfaz
Assistant Examiner—G Andoll
Attorney, Agent, or Firm—Dann, Dorfman, Herrell and Skillman; Stephen H. Eland

Related U.S. Application Data

[63] Continuation-in-part of application No. 29/089,103, Jun. 5, 1998.

[51] **LOC (6) Cl.** **08-03**

[52] **U.S. Cl.** **D8/102; D8/61**

[58] **Field of Search** D18/99, 46; D8/102, D8/98, 61; 30/DIG. 3; 83/912, 78, 79; 409/138, 204; 53/381.3, 381.2, 381.1

References Cited

U.S. PATENT DOCUMENTS

D. 202,673	10/1965	Kamp	D8/61
D. 204,338	4/1966	MacKrell	D8/31
D. 212,062	8/1968	Davis	D8/102
D. 260,133	8/1981	Power et al.	D8/61
D. 263,276	3/1982	Tagaki	D8/61
D. 272,229	1/1984	Oussani	D8/61
2,656,889	10/1953	Kaplan	30/DIG. 3
3,828,634	8/1974	Luperti	53/381.3

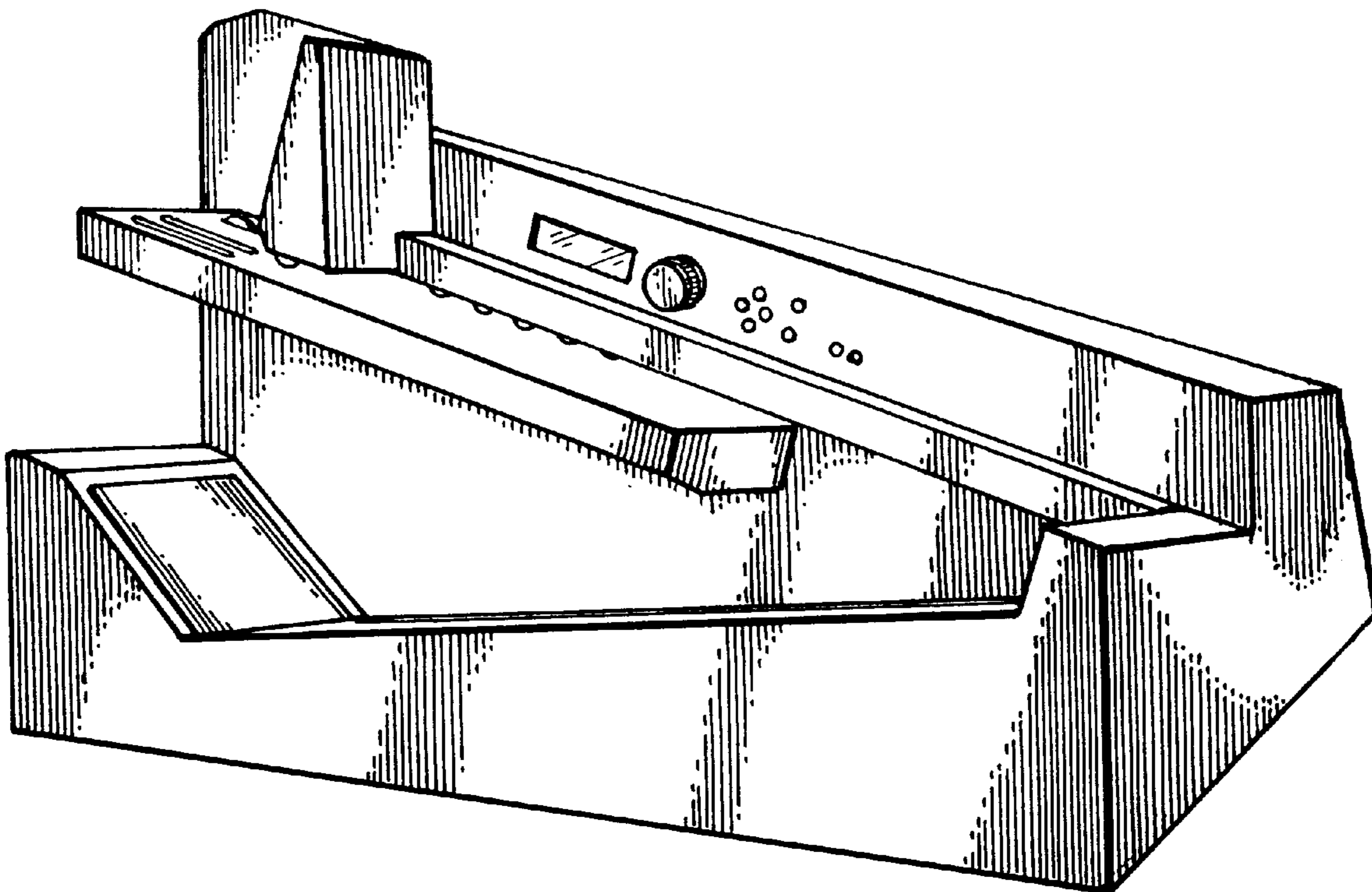
[57] CLAIM

The ornamental design for an envelope opener, as shown and described.

DESCRIPTION

FIG. 1 is a front perspective view of an envelope opener showing my new design;
FIG. 2 is a front elevational view of the envelope opener shown in FIG. 1;
FIG. 3 is a top plan view of the envelope opener shown in FIG. 1;
FIG. 4 is a right side view of the envelope opener shown in FIG. 1;
FIG. 5 is a left side view of the envelope opener shown in FIG. 1;
FIG. 6 is a back elevational view of the envelope opener shown in FIG. 1; and,
FIG. 7 is a bottom plan view of the envelope opener shown in FIG. 1.

1 Claim, 3 Drawing Sheets



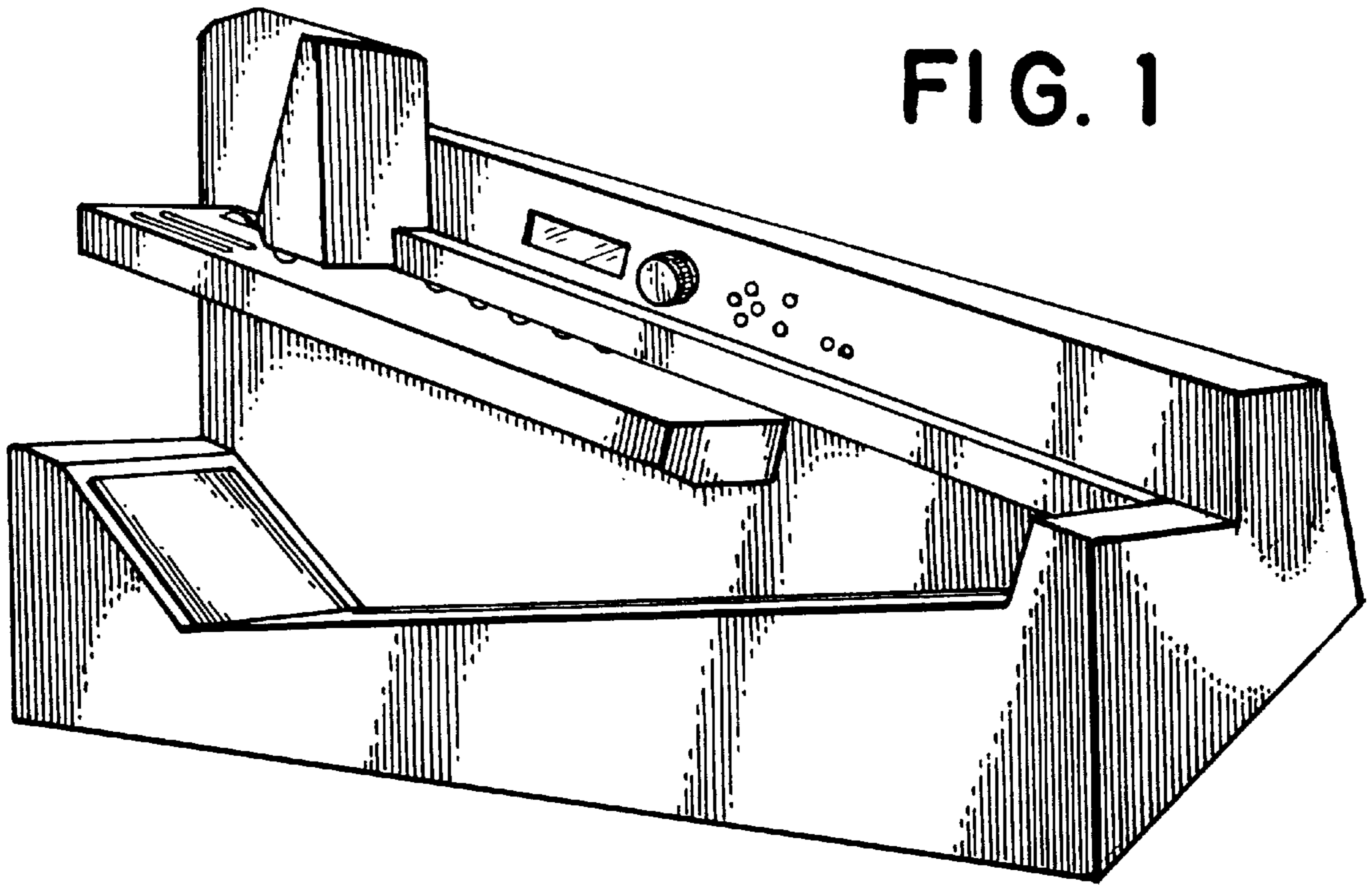


FIG. 2

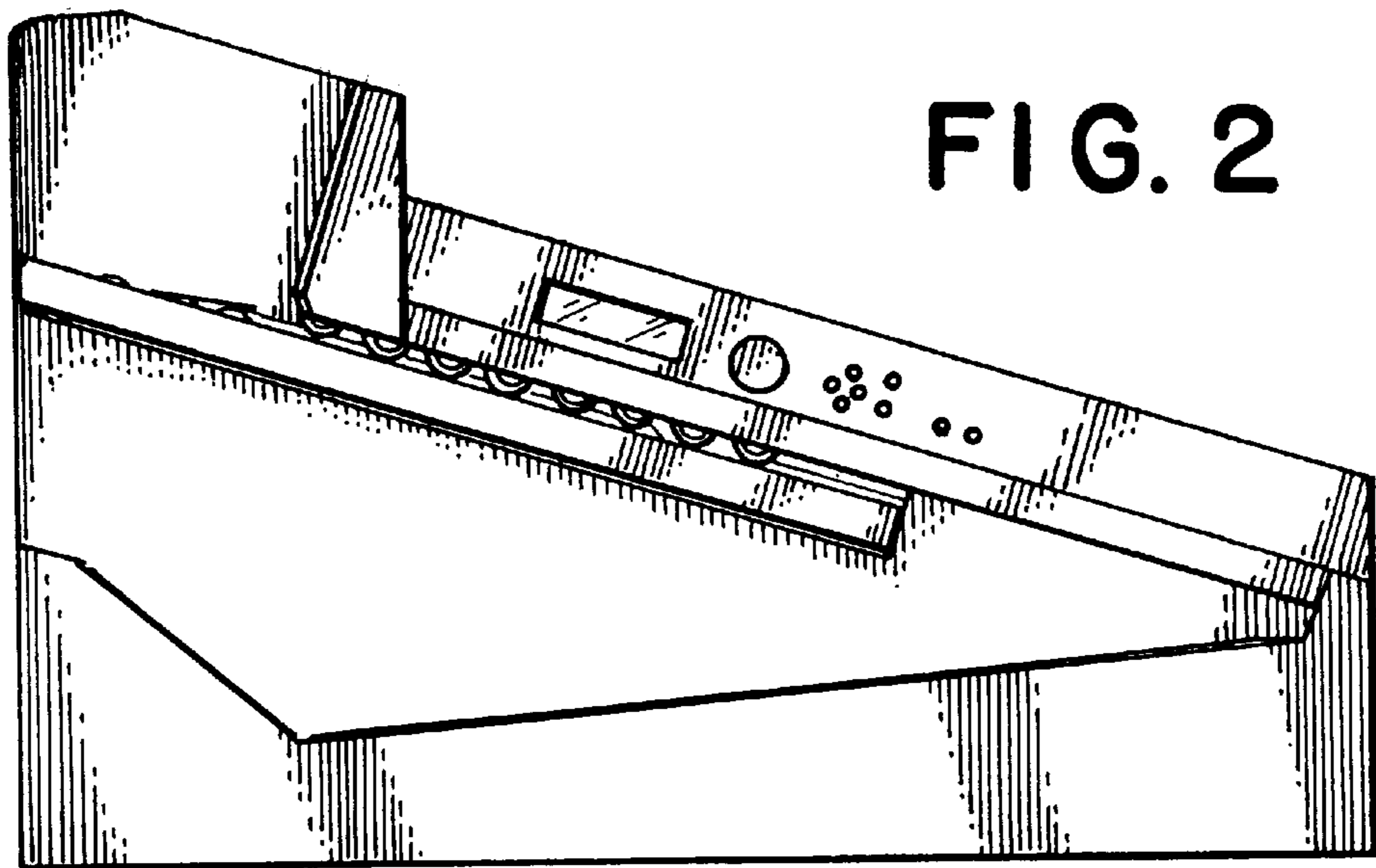


FIG. 3

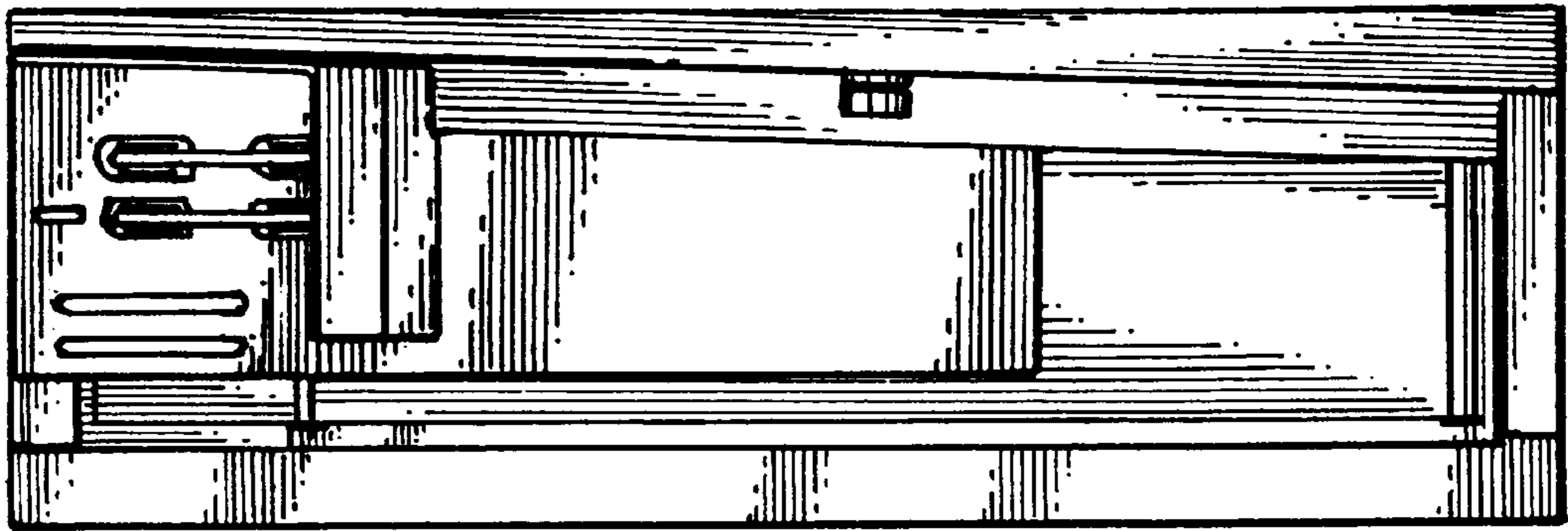
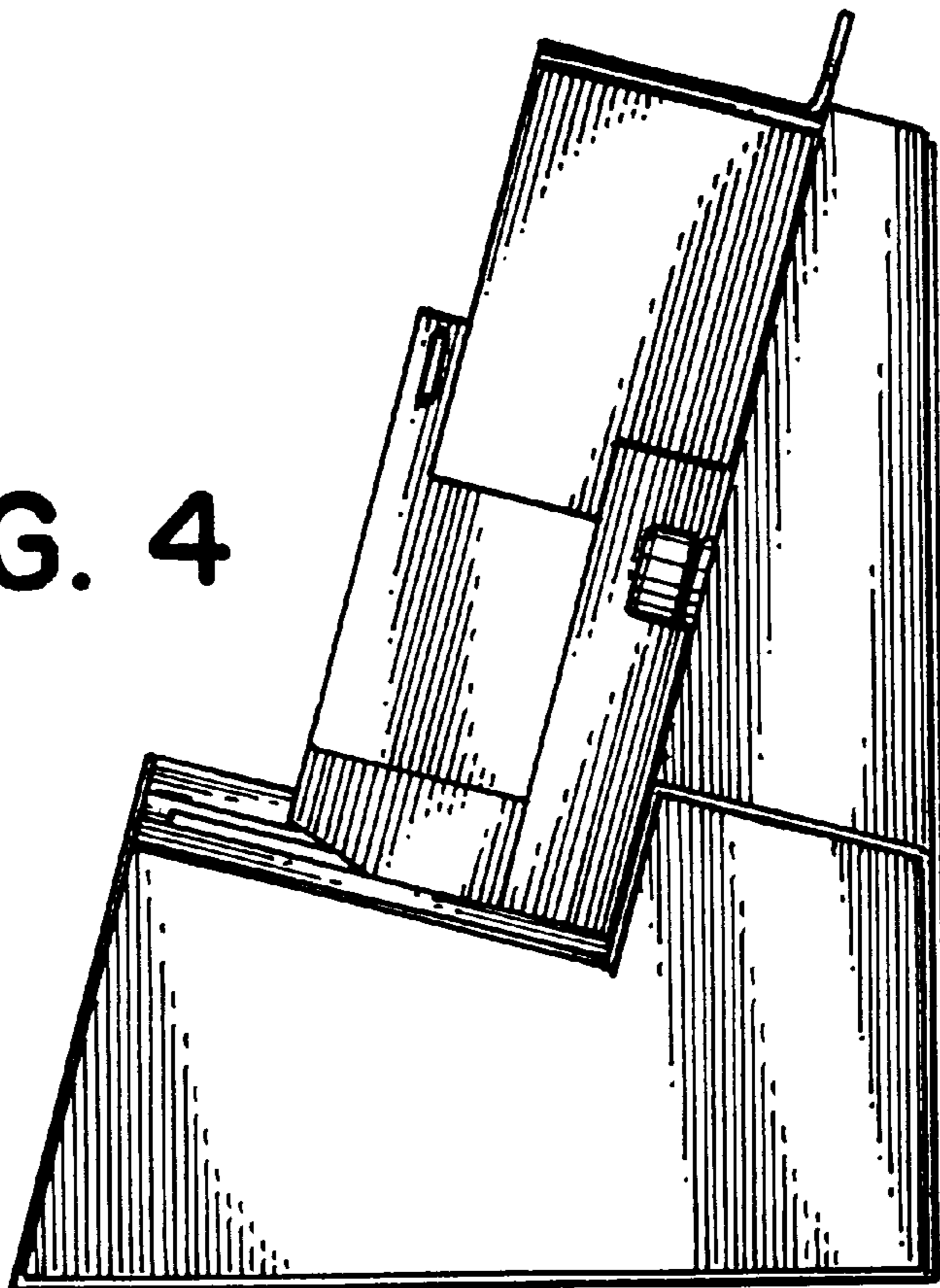


FIG. 4



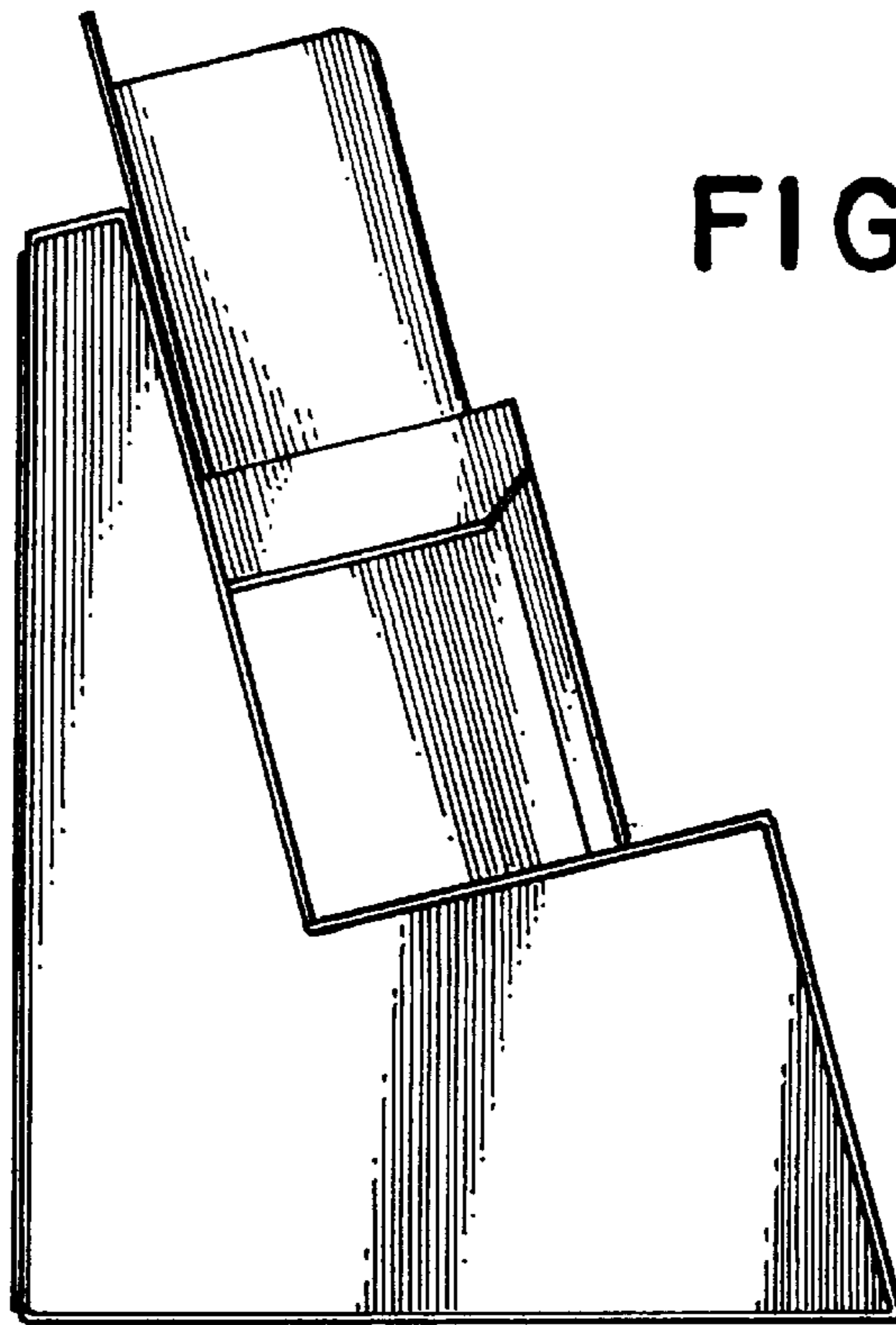


FIG. 5

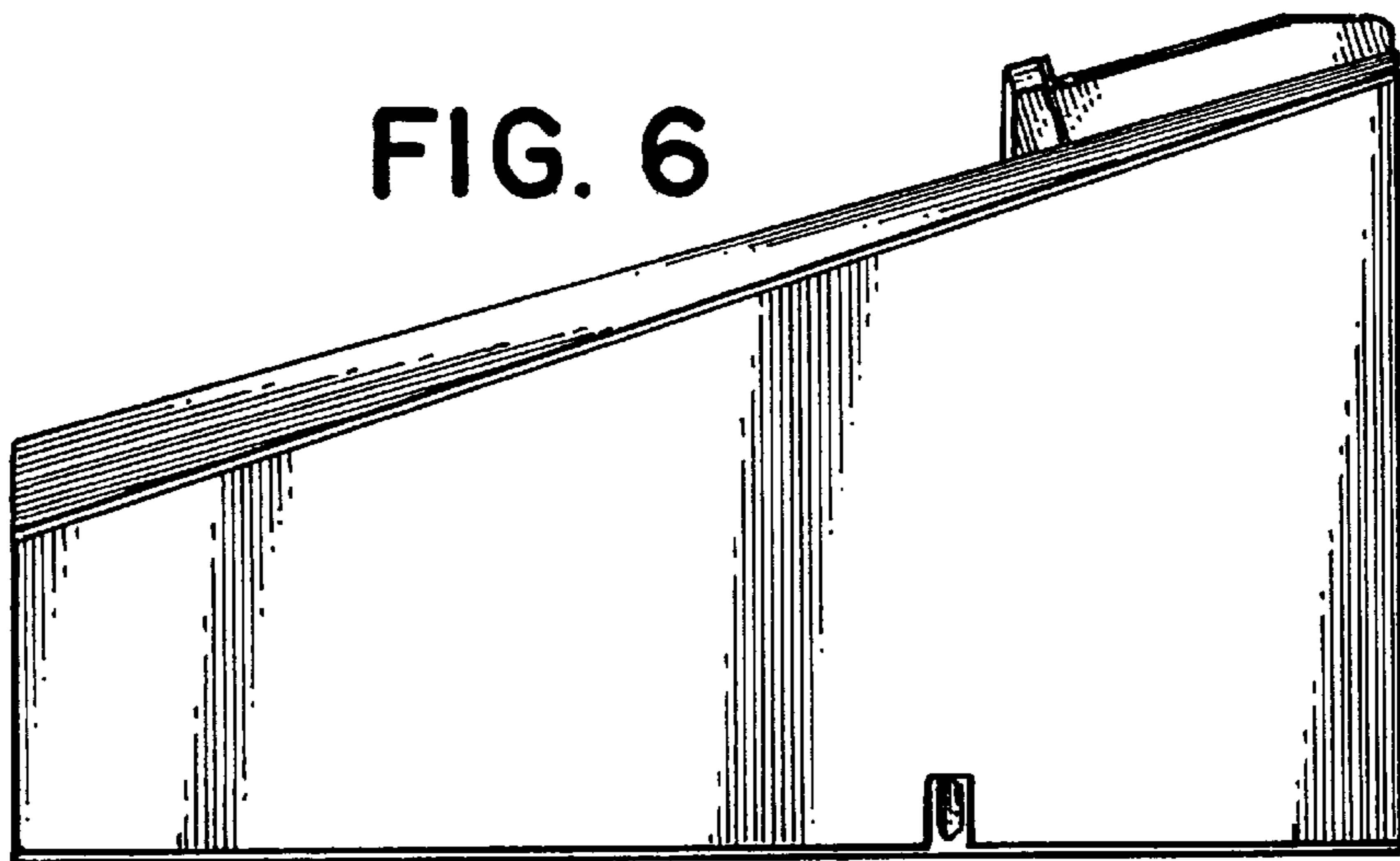


FIG. 6

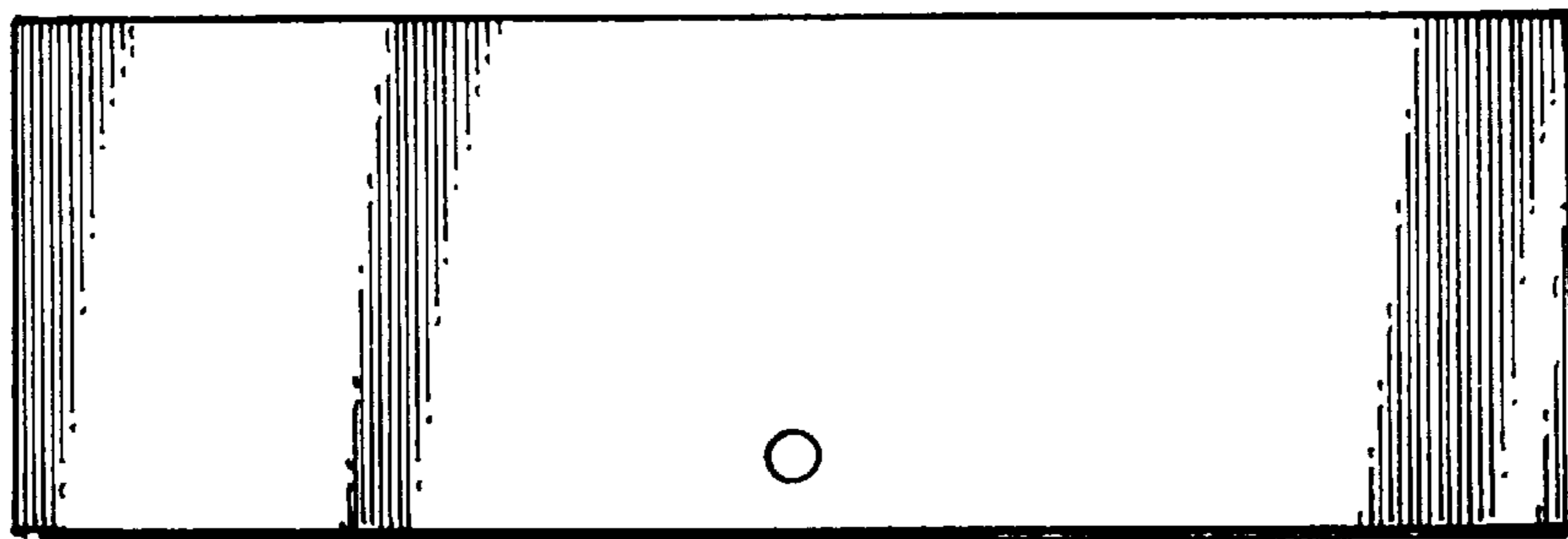


FIG. 7