



US00D422864S

**United States Patent** [19]  
**Welsh**

[11] **Patent Number: Des. 422,864**

[45] **Date of Patent: \*\* Apr. 18, 2000**

[54] **HANDLE FOR A CHOP SAW**

[75] Inventor: **Robert P. Welsh**, Hunt Valley, Md.

[73] Assignee: **Black & Decker Inc.**, Newark, Del.

[\*\*] Term: **14 Years**

[21] Appl. No.: **29/107,716**

[22] Filed: **Jul. 13, 1999**

[51] **LOC (6) Cl.** ..... **08-03**

[52] **U.S. Cl.** ..... **D8/66**

[58] **Field of Search** ..... D8/61, 66, 69,  
D8/68, 70; D15/133; 83/397, 468.1-468.4,  
471.1-471.3, 477, 581

[56] **References Cited**

**U.S. PATENT DOCUMENTS**

D. 217,427	5/1970	Slany .	
D. 282,346	1/1986	Pioch .....	D8/66
D. 391,973	3/1998	Price et al. ....	D15/133
D. 400,215	10/1998	Price et al. ....	D15/133
D. 409,066	5/1999	Welsh .....	D8/66
5,297,463	3/1994	O'Banion et al. ....	83/468.3
5,495,784	3/1996	Chen .....	83/471.2

5,720,096	2/1998	Dorsey .....	29/559
5,755,148	5/1998	Stumpf et al. ....	83/468.2
5,943,931	8/1999	Stumpf et al. ....	83/468.2

*Primary Examiner*—Nelson C. Holtje  
*Attorney, Agent, or Firm*—Adan Ayala

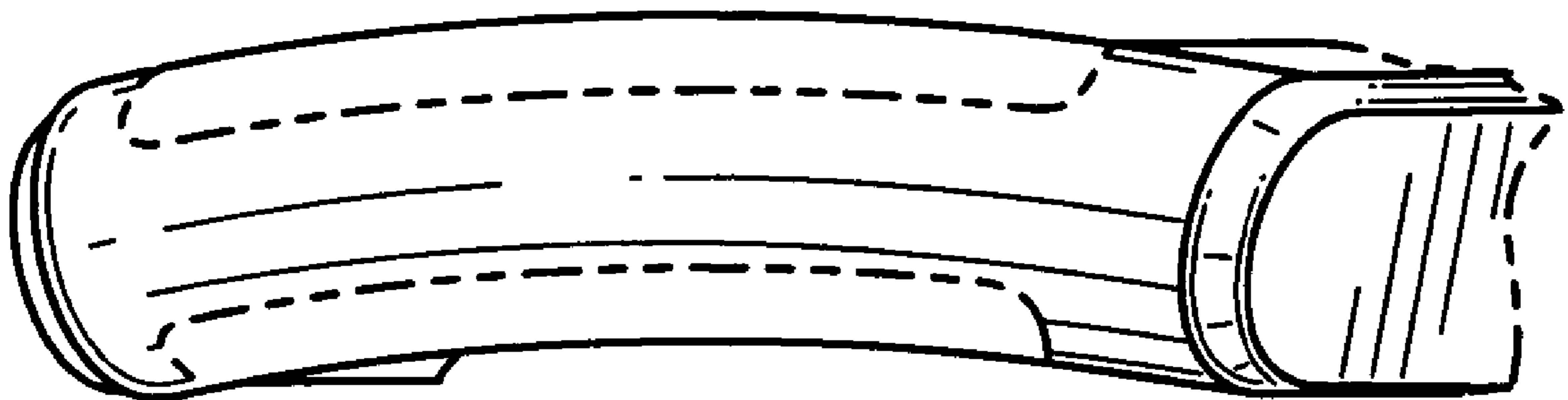
[57] **CLAIM**

The ornamental design for a handle for a chop saw, as shown and described.

**DESCRIPTION**

FIG. 1 is a top plan of a handle for a chop saw, according to my new design;  
FIG. 2 is a front elevational view of the handle;  
FIG. 3 is a left elevational view of the handle;  
FIG. 4 is a perspective view of the handle;  
FIG. 5 is an enlarged top plan view of the handle;  
FIG. 6 is an enlarged front elevational view of FIG. 5;  
FIG. 7 is an enlarged left side elevational view of FIG. 5; and,  
FIG. 8 is an enlarged right-front perspective view of FIG. 5.  
The broken-line showings of a chop saw are environmental only and form no part of the claimed design.

**1 Claim, 5 Drawing Sheets**



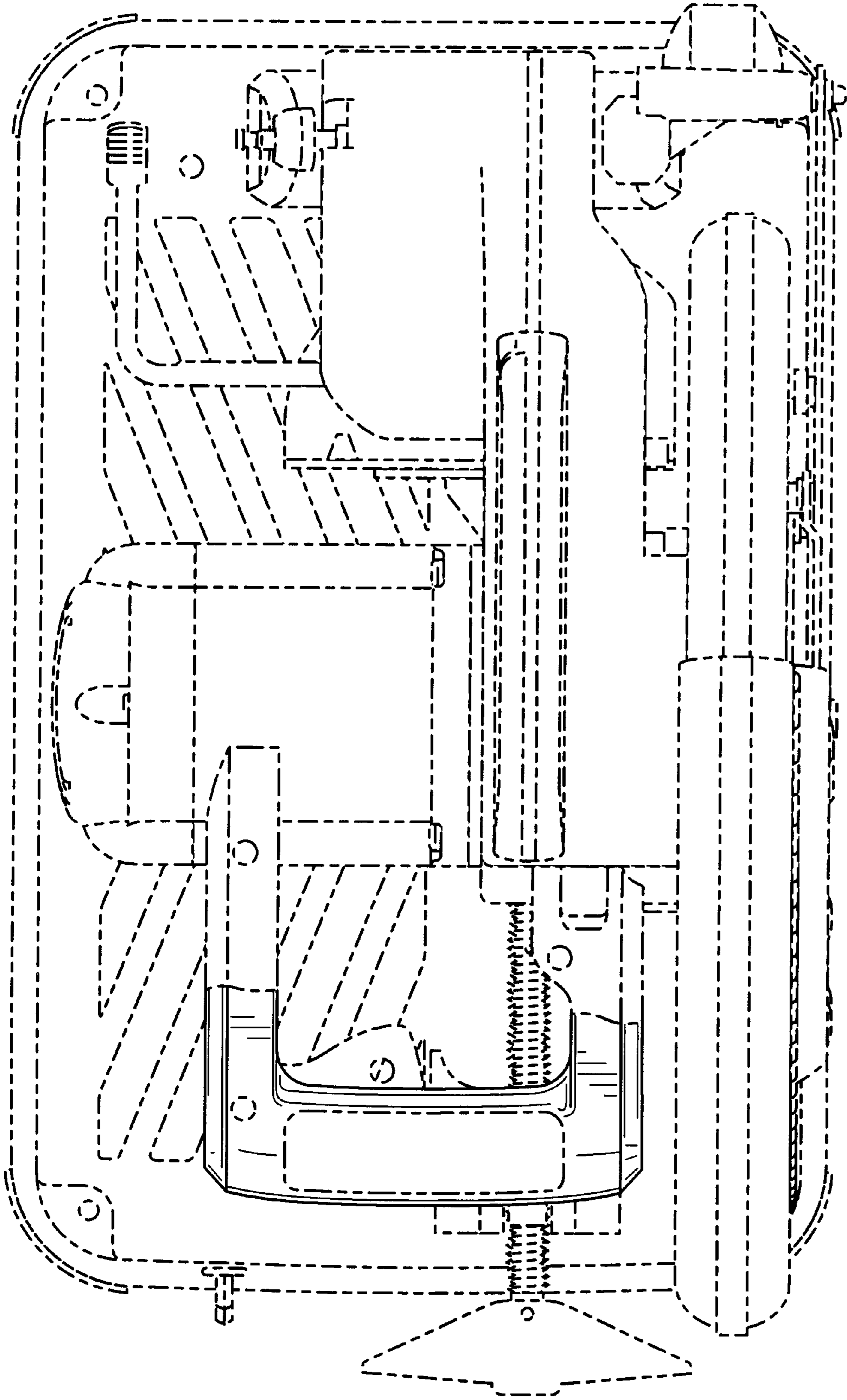


FIG. 1

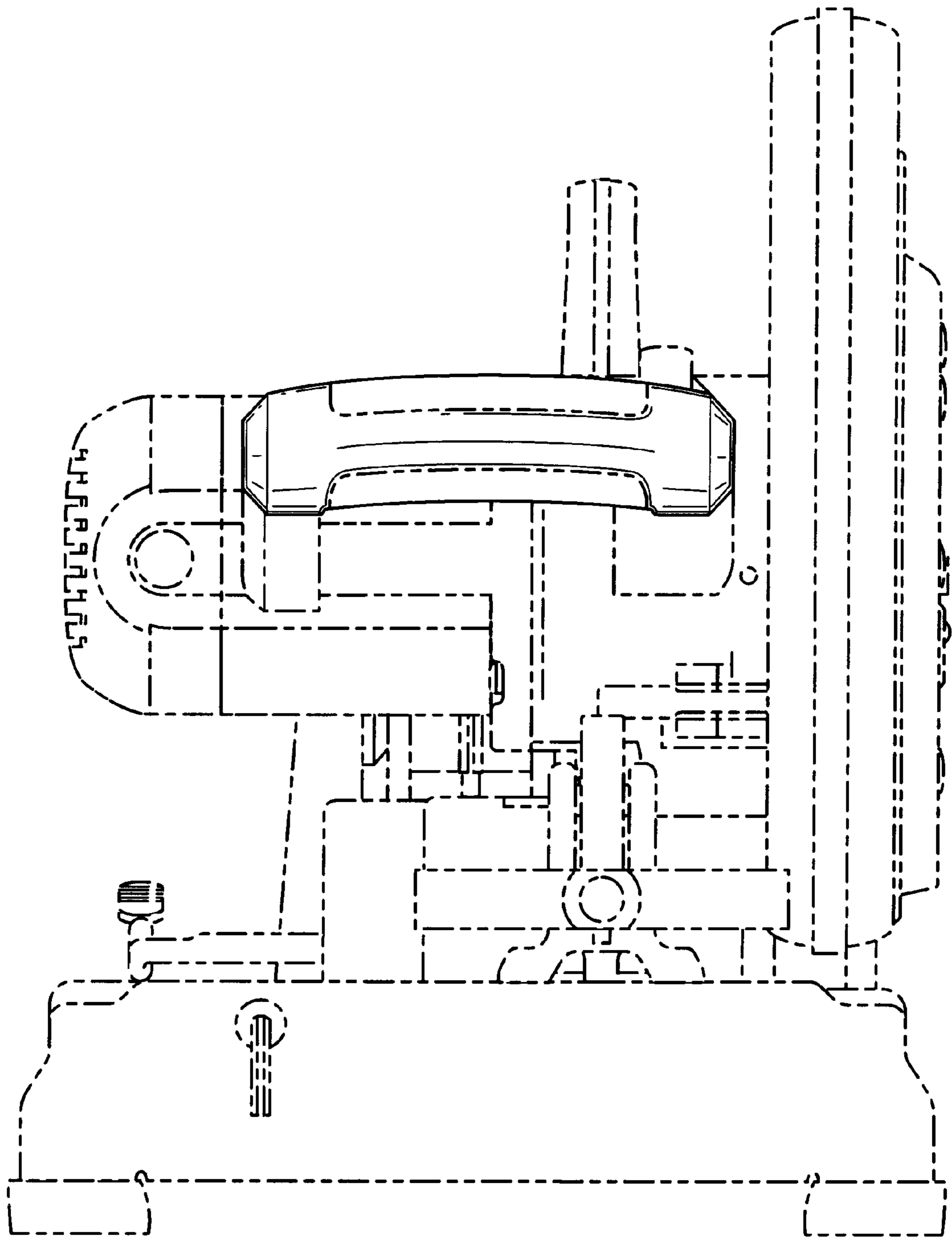


FIG. 2

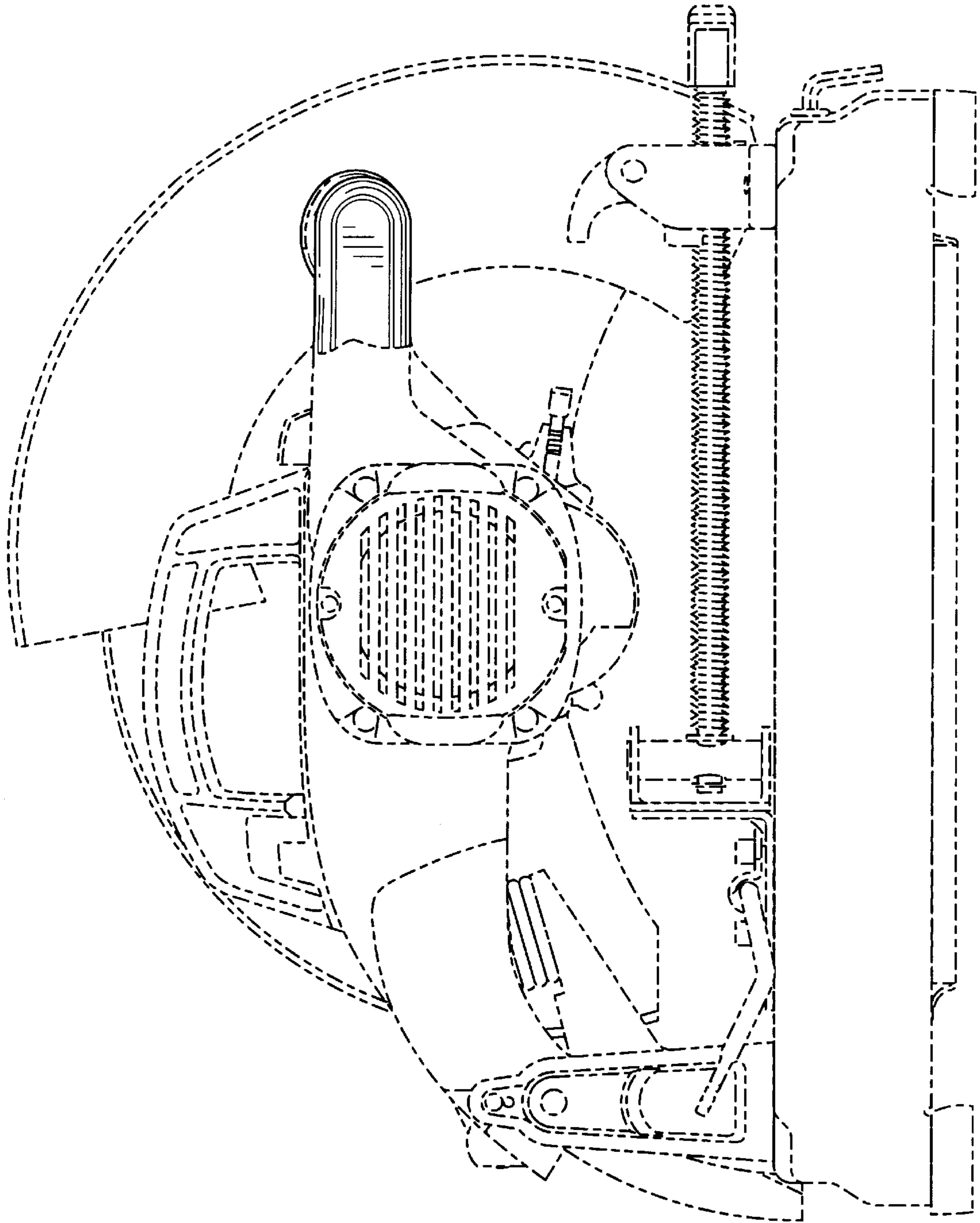


FIG. 3

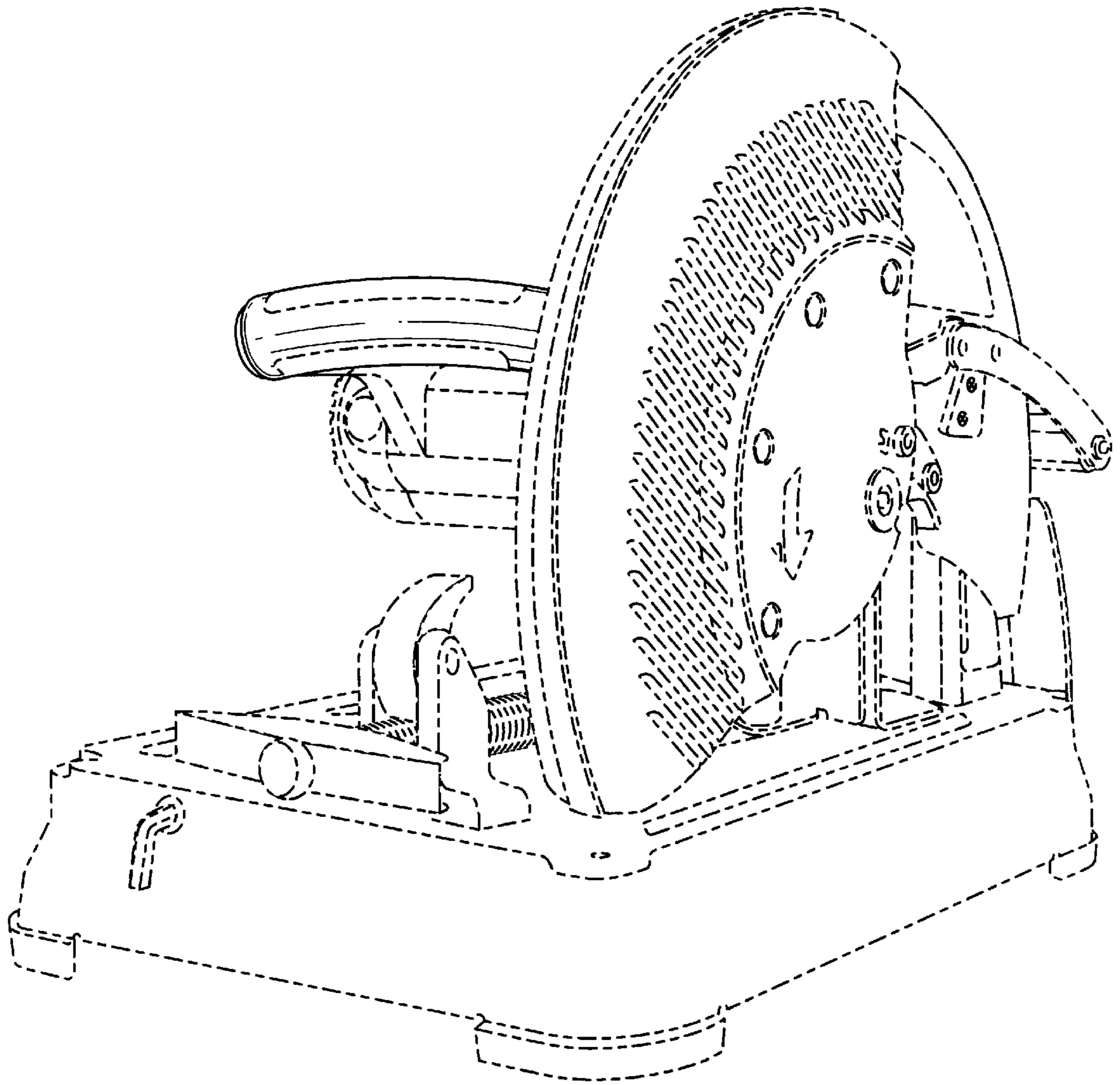


FIG. 4



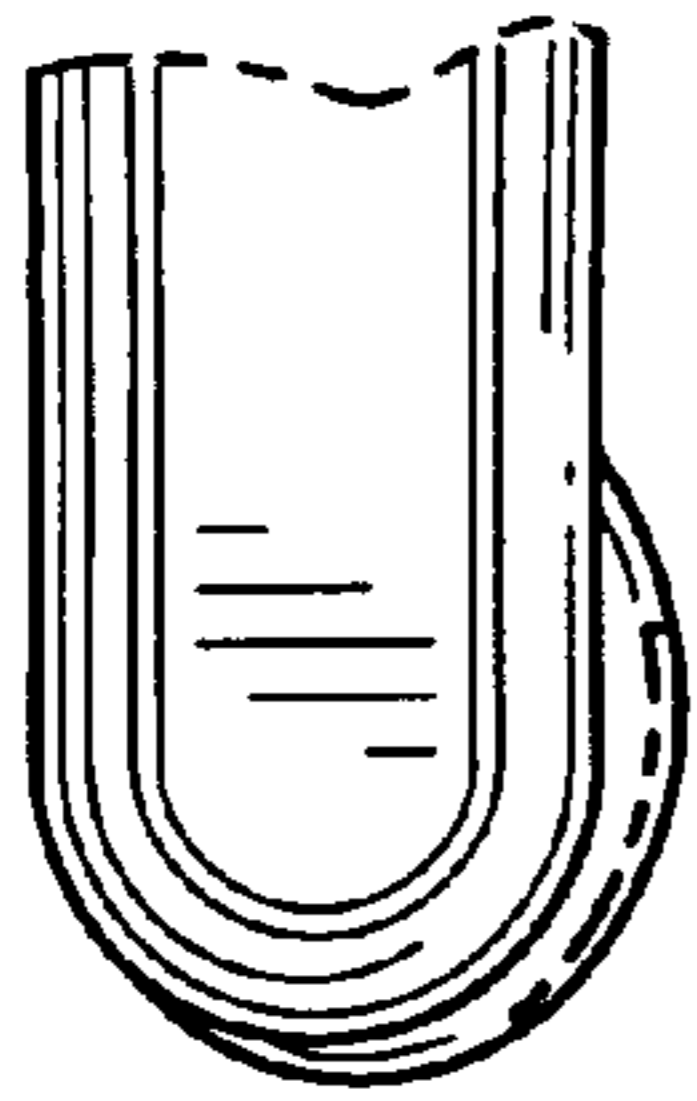


FIG. 7

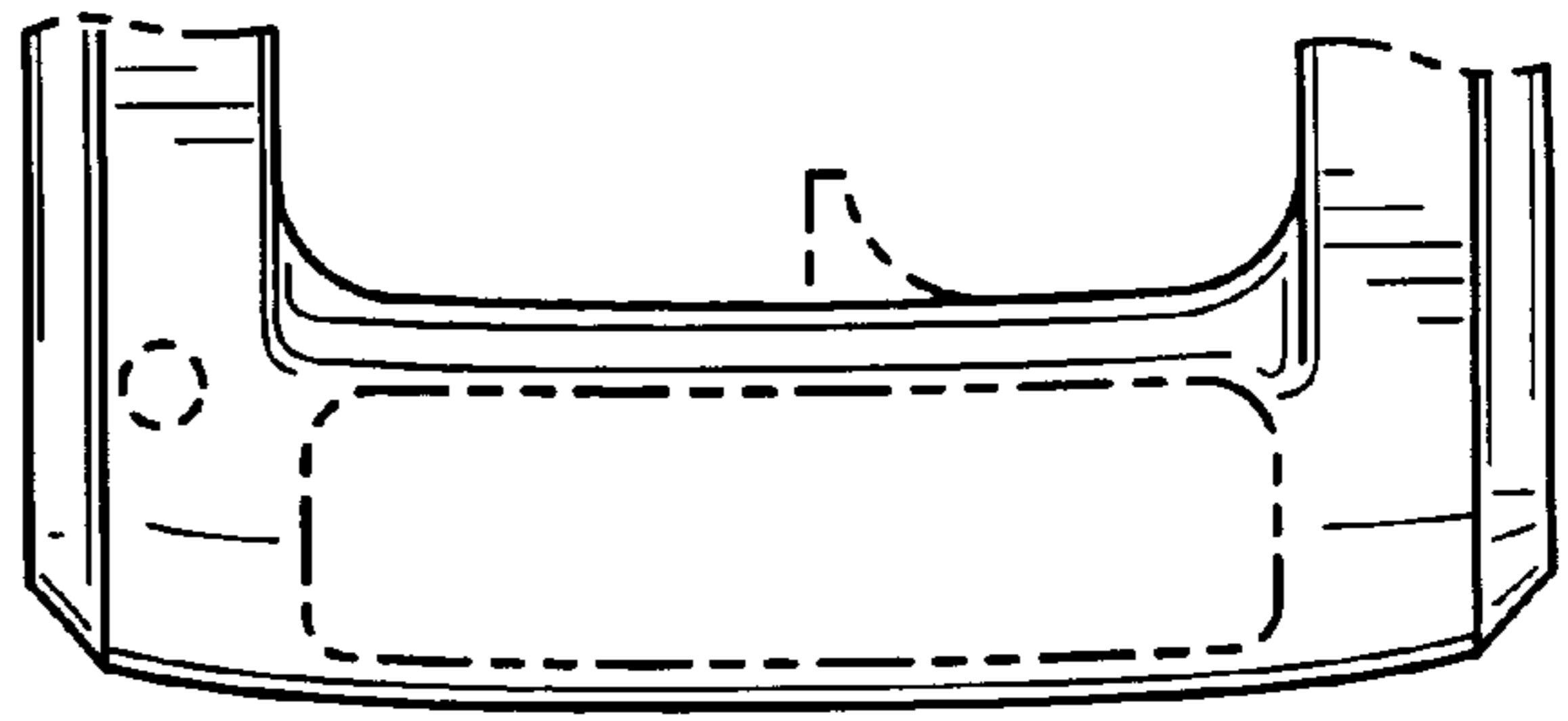


FIG. 5

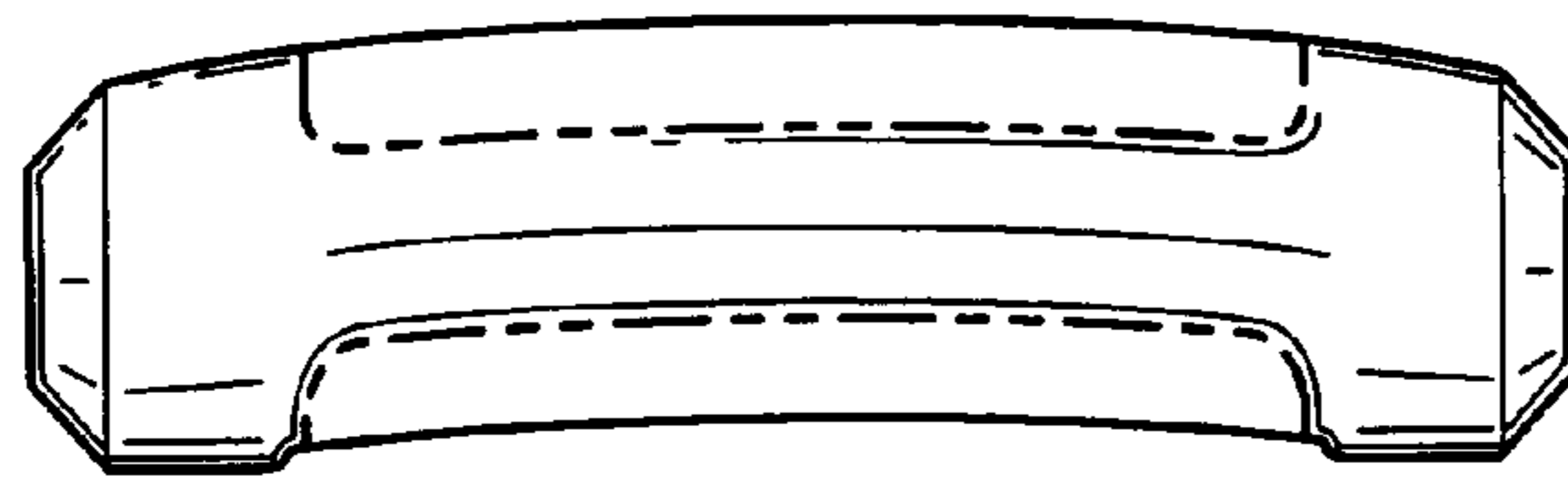


FIG. 6

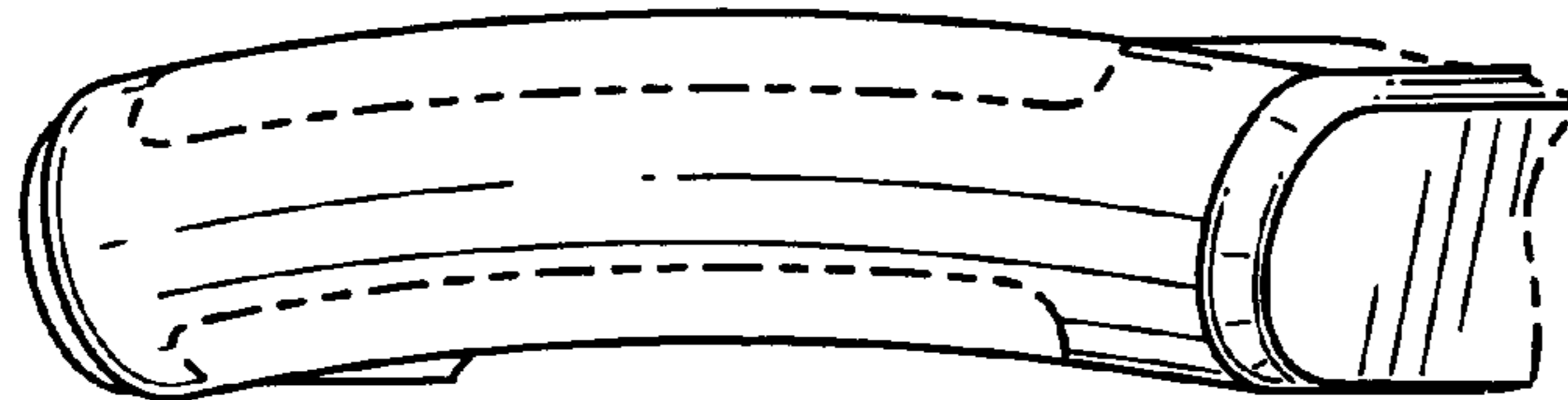


FIG. 8