



US00D422860S

United States Patent [19] Vinar

[11] **Patent Number: Des. 422,860**

[45] **Date of Patent: ** Apr. 18, 2000**

[54] **PAIL OPENER AND RESEALER**

[76] Inventor: **Dennis E. Vinar**, 8787 Ridge Ponds
La., Victoria, Minn. 55386

[**] Term: **14 Years**

[21] Appl. No.: **29/093,662**

[22] Filed: **Sep. 16, 1998**

[51] **LOC (6) Cl. 08-05**

[52] **U.S. Cl. D8/40; D8/81; D8/88**

[58] **Field of Search D8/33-43, 18,
D8/19, 88, 89, 81, 26, 105; 81/3.07-3.49;
7/151-156**

[56] **References Cited**

U.S. PATENT DOCUMENTS

D. 22,329	4/1893	Waller	D8/88
D. 192,721	5/1962	Mills	.	
D. 263,673	4/1982	Sheehan	D8/18
D. 271,275	11/1983	Richiliano	.	
D. 276,304	11/1984	DiFede	D8/40
D. 276,585	12/1984	DiFede	D8/39 X
D. 291,051	7/1987	DiFede	D8/40
293,661	2/1884	McKean	7/156
D. 304,992	12/1989	Matthies	.	

D. 319,954	9/1991	Able et al.	D8/18
D. 359,220	6/1995	Vinar	.	
D. 385,470	10/1997	Martin	D8/89
D. 390,434	2/1998	Aguero et al.	D8/33 X
3,656,375	4/1972	Reed et al.	81/3.55
4,967,436	11/1990	Russel	7/156
5,069,090	12/1991	Clark	81/3.06
5,222,265	6/1993	Hermansson	7/156

Primary Examiner—Jeffrey Asch

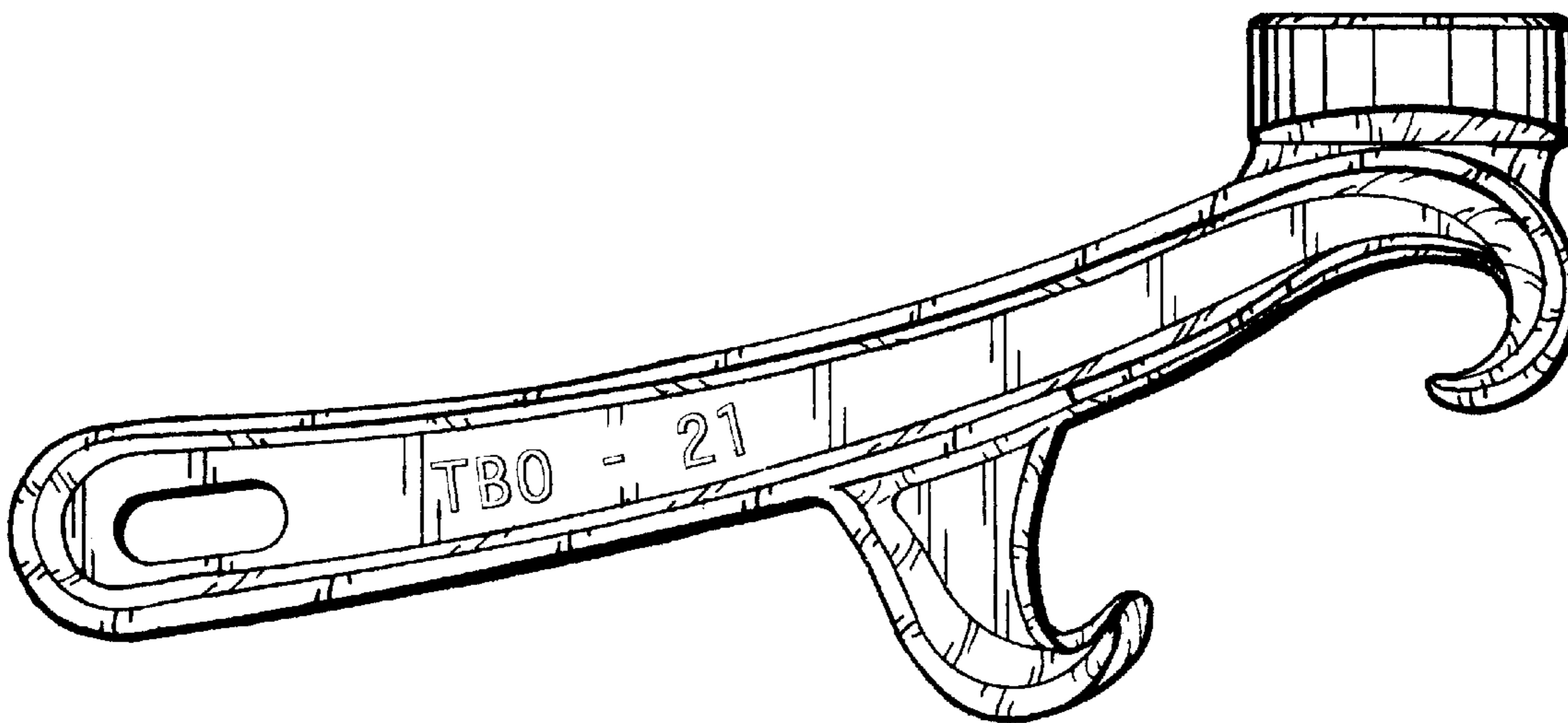
[57] **CLAIM**

The ornamental design for a pail opener and resealer, as shown and described.

DESCRIPTION

FIG. 1 is a perspective view taken from the front and side of the pail opener and resealer of the present invention and showing the ornamental design thereof;
 FIG. 2 is a view taken from the side thereof;
 FIG. 3 is a view taken from the opposite side thereof;
 FIG. 4 is a top view thereof;
 FIG. 5 is a bottom view thereof;
 FIG. 6 is a front view thereof; and,
 FIG. 7 is a rear view thereof.

1 Claim, 3 Drawing Sheets



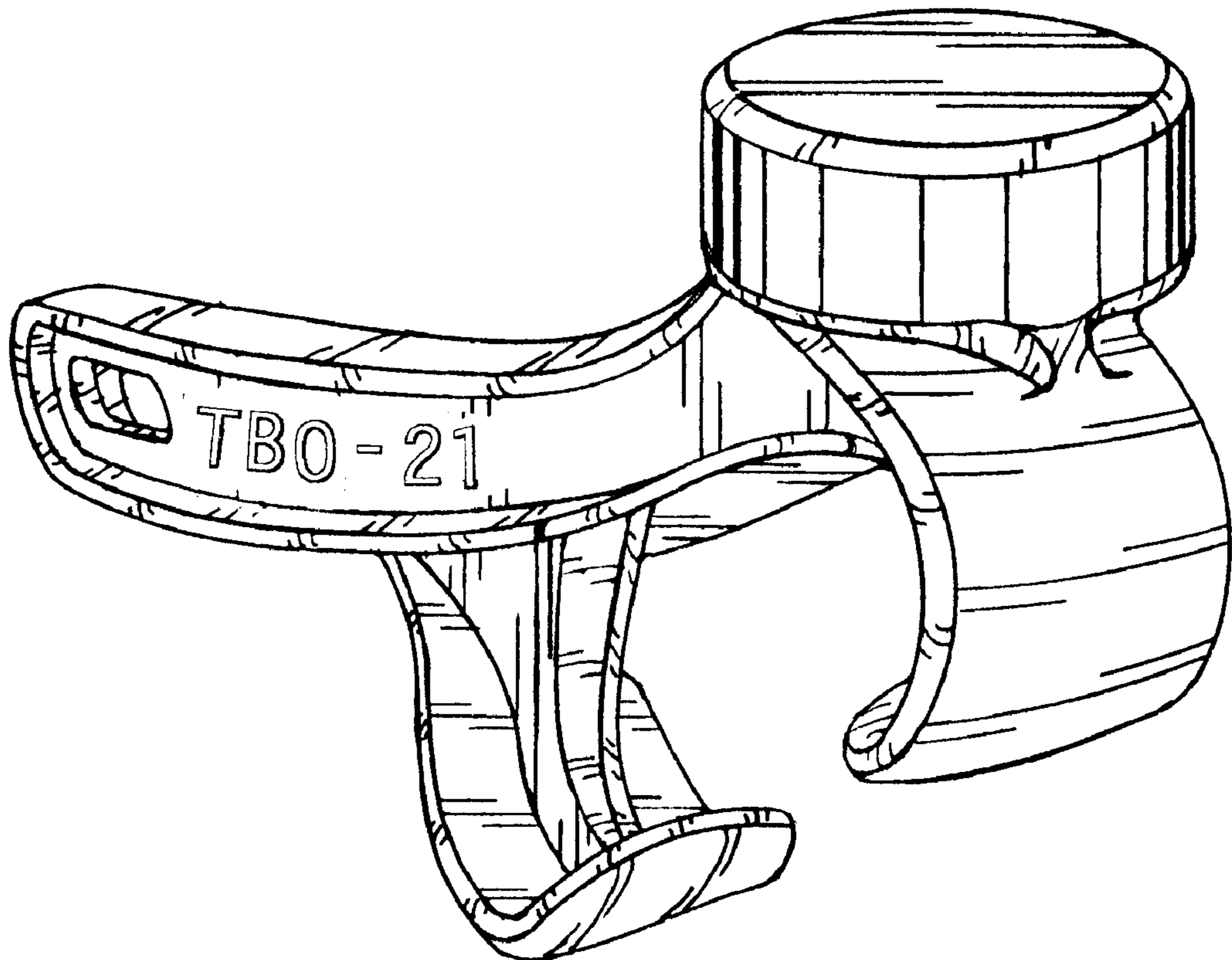


FIG. 1

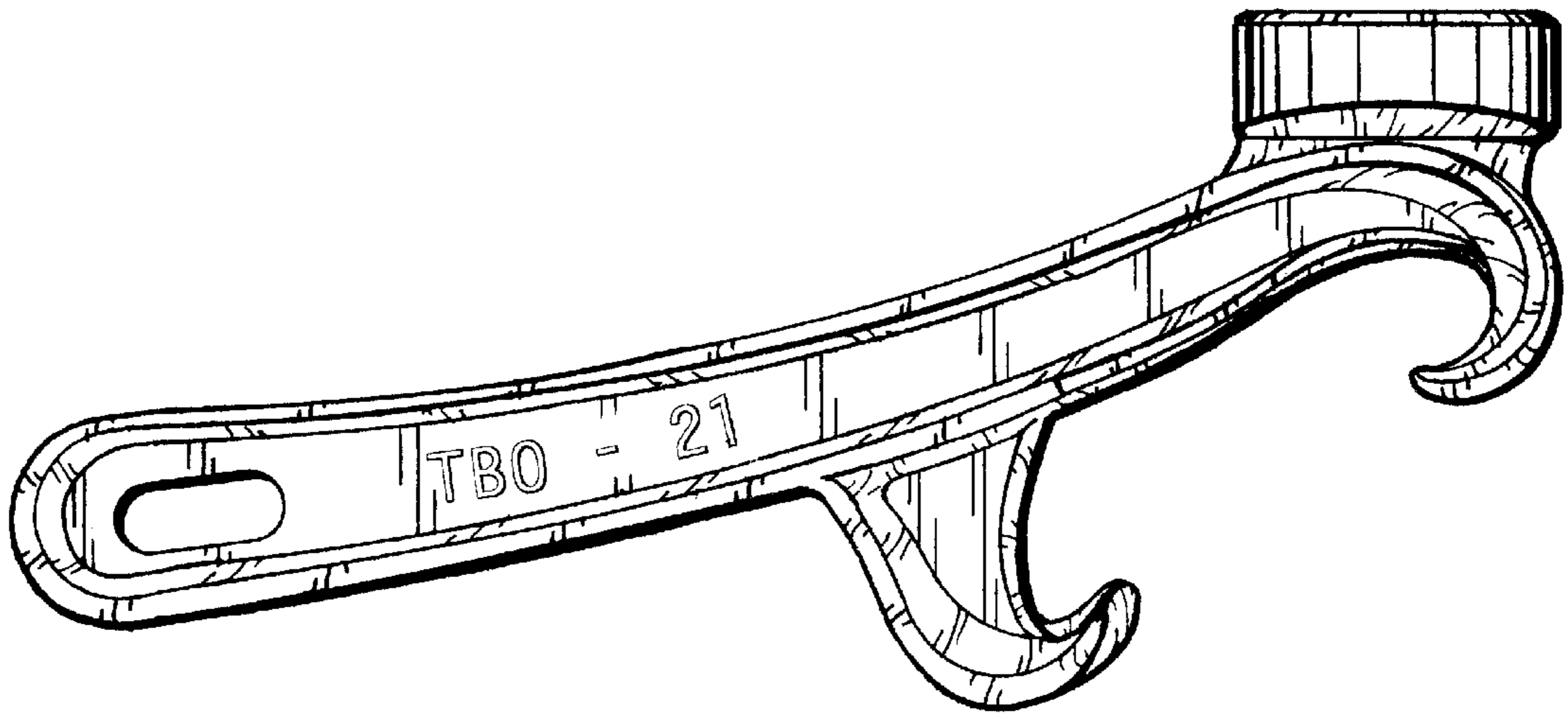


FIG. 2

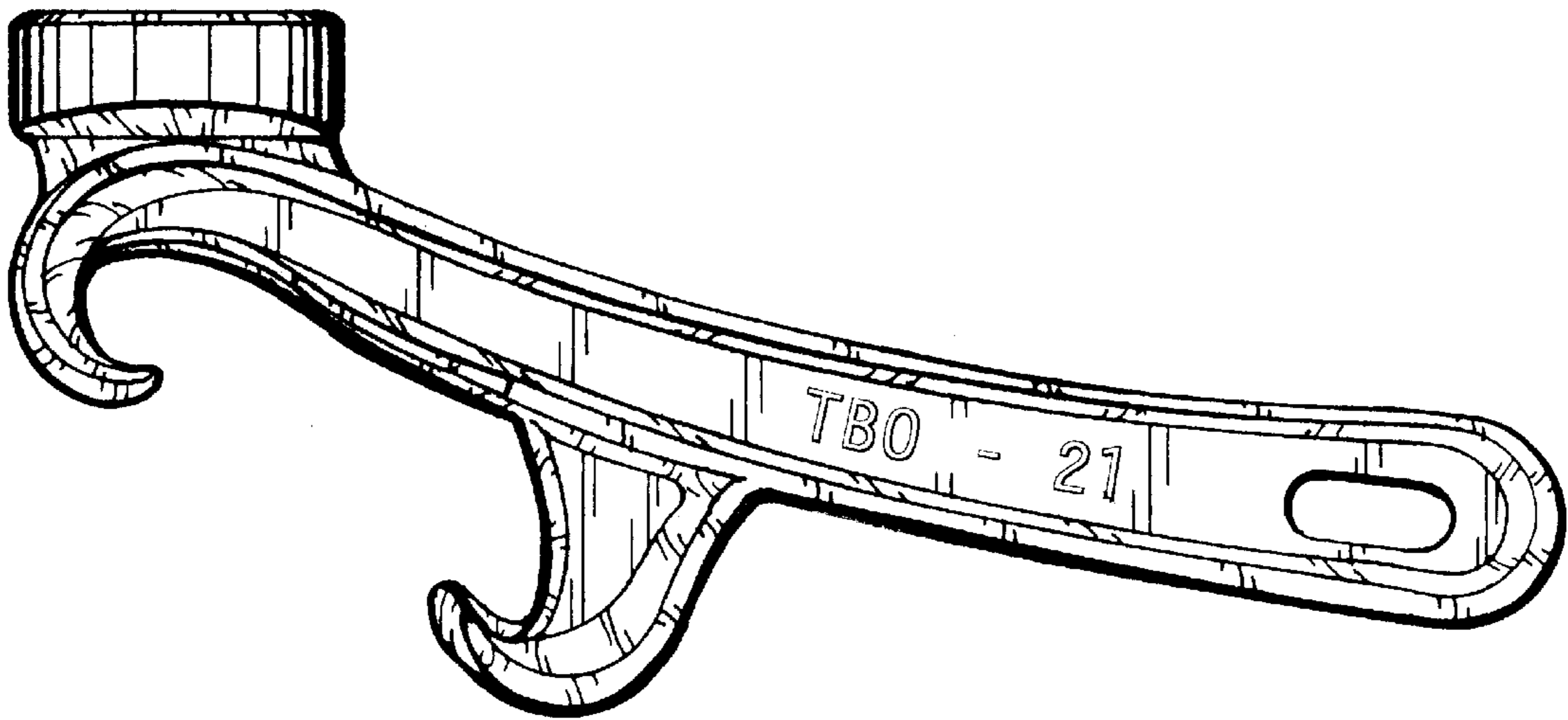


FIG. 3

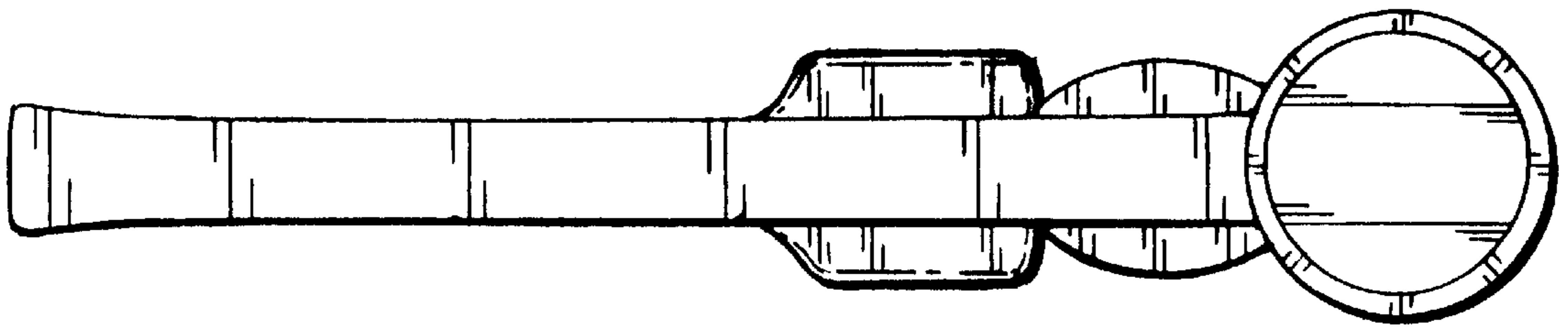


FIG. 4

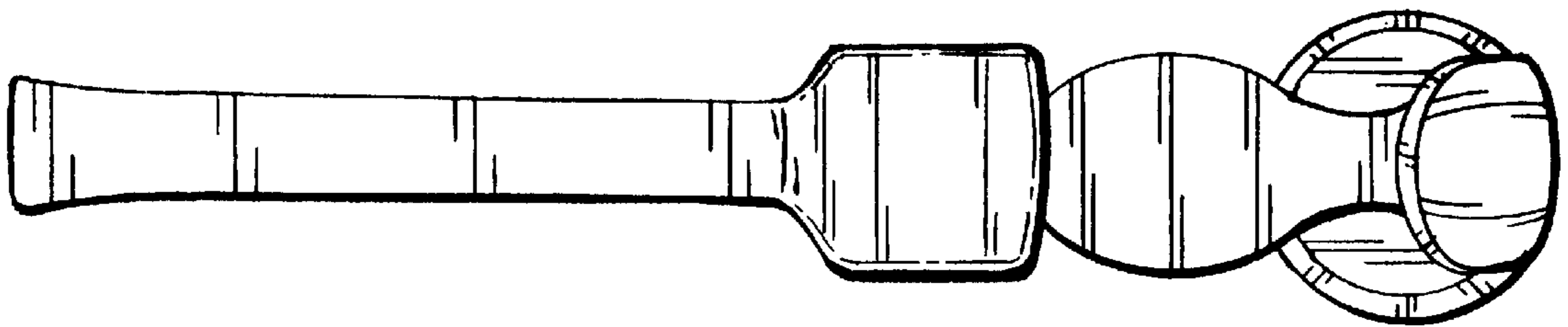


FIG. 5

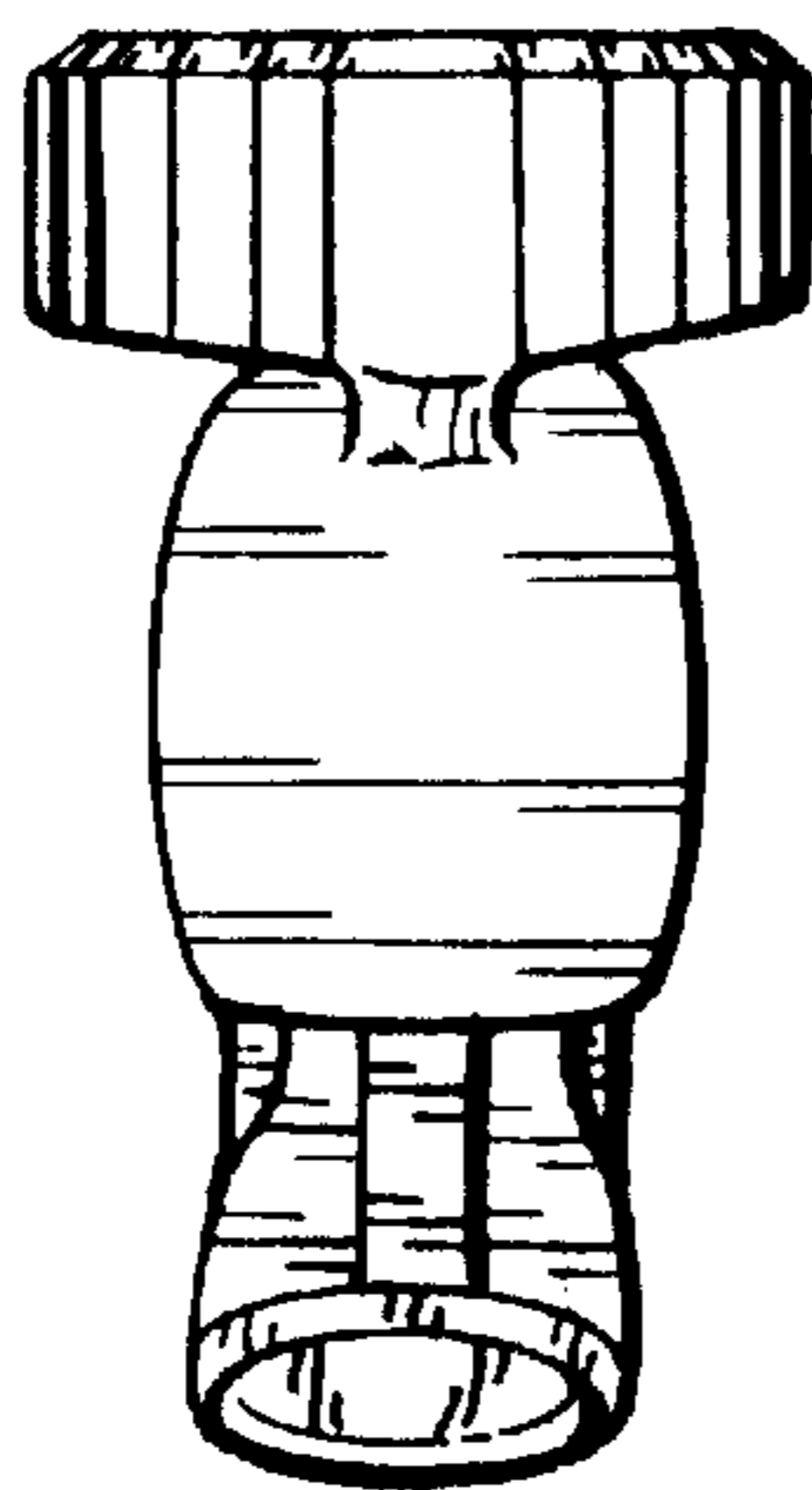


FIG. 6

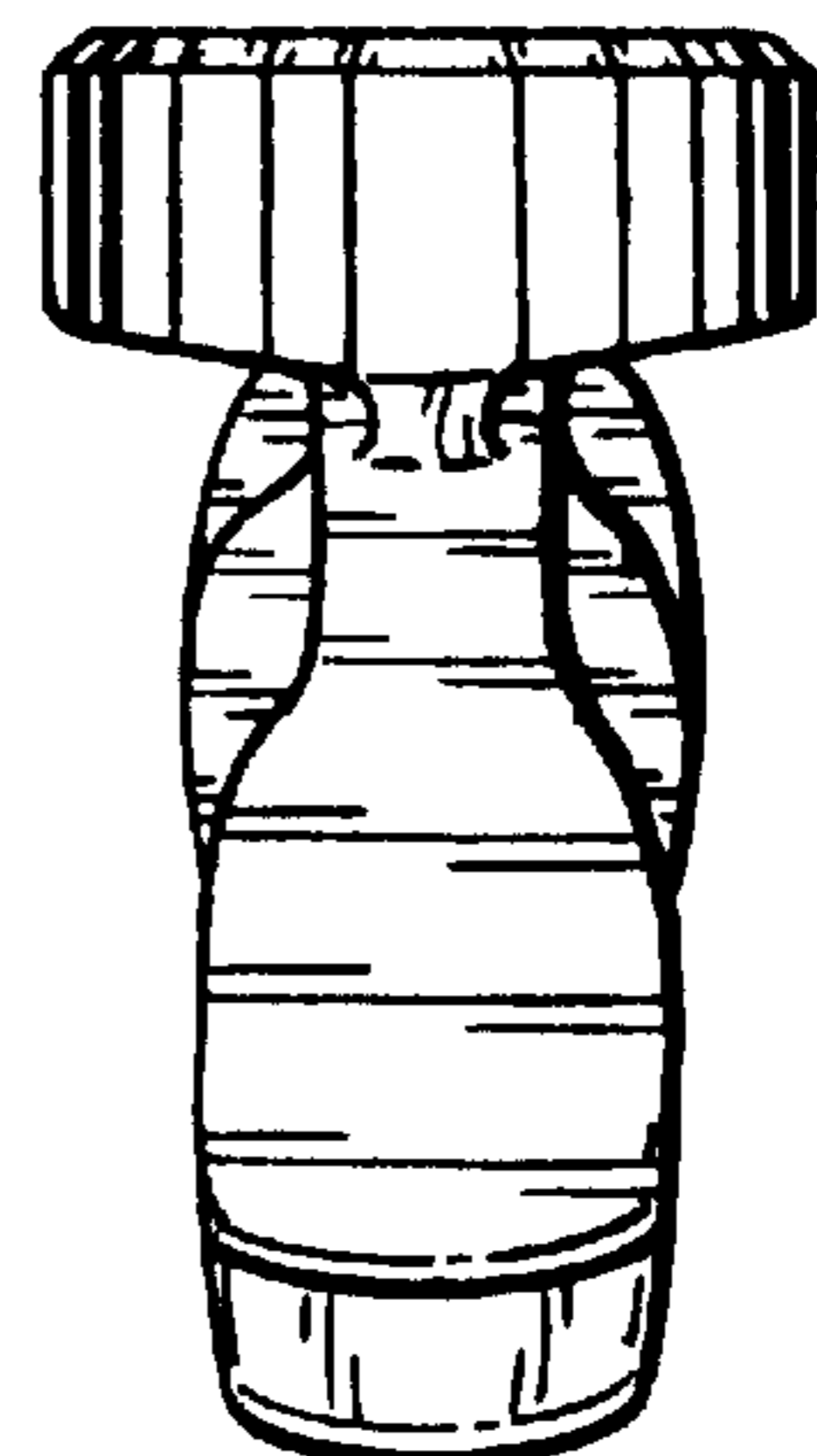


FIG. 7