



US00D422859S

United States Patent [19]
Yang

[11] **Patent Number: Des. 422,859**

[45] **Date of Patent: ** Apr. 18, 2000**

[54] **WIRE BENDING DEVICE FOR SHEAR DEVICE**

[76] Inventor: **Syh Yuan Yang**, No. 38, Lane 188, Gong Yeh Road, Tsong Her Tsuen, Long Gin Hsiang, Taichung Hsien, Taiwan

[**] Term: **14 Years**

[21] Appl. No.: **29/103,132**

[22] Filed: **Apr. 8, 1999**

[51] **LOC (6) Cl.** **08-05**

[52] **U.S. Cl.** **D8/32**

[58] **Field of Search** D8/14, 32, 51, D8/52, 58, 105; 30/92, 192, 193, 250; 140/102.5

[56] **References Cited**

U.S. PATENT DOCUMENTS

D. 285,163 8/1986 Nesci D8/32
4,910,870 3/1990 Chang 30/192

Primary Examiner—Alan P. Douglas
Assistant Examiner—Reid Hecker

Attorney, Agent, or Firm—Charles E. Baxley, Esq.

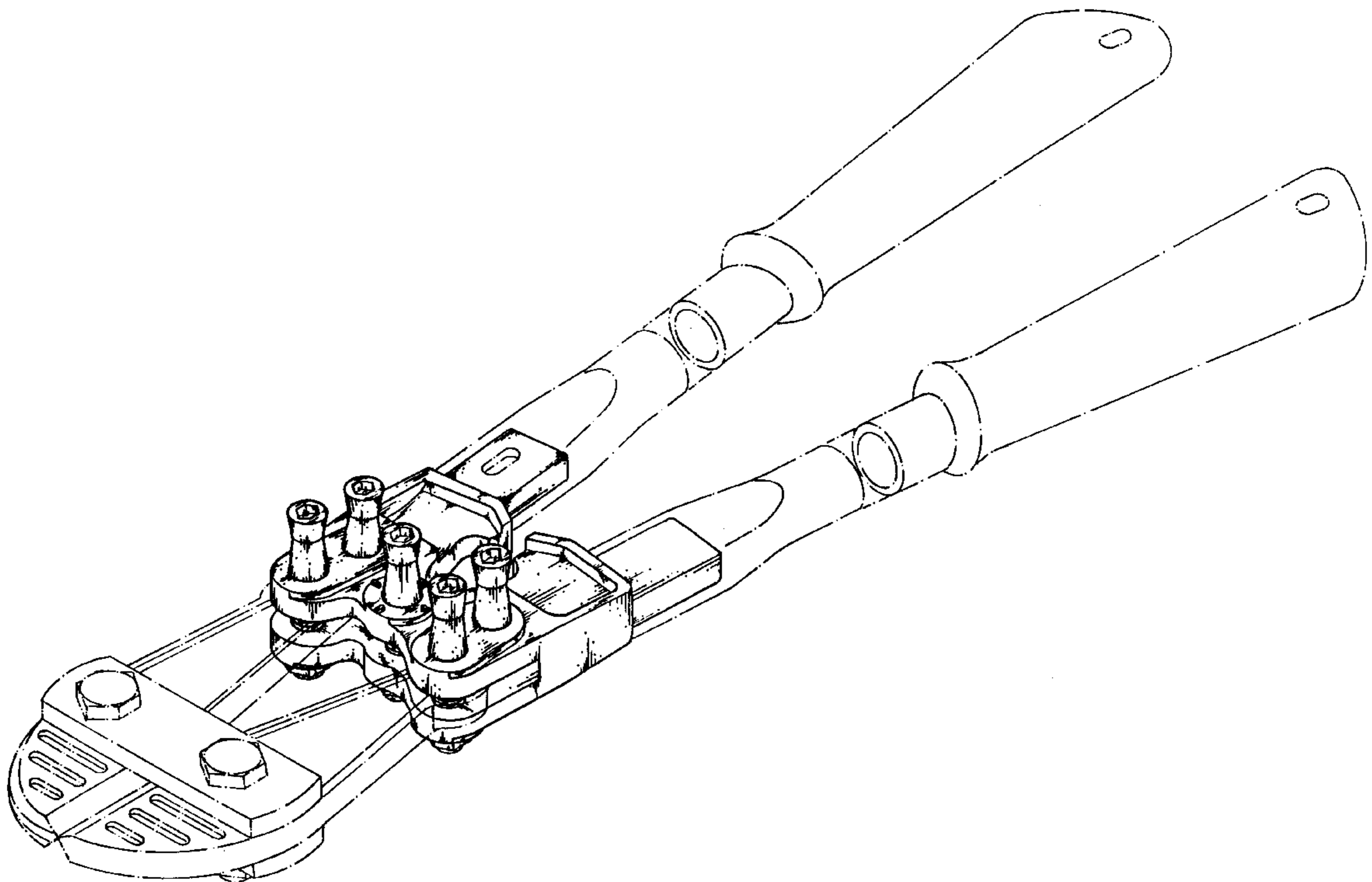
[57] **CLAIM**

The ornamental design for a wire bending device for a shear device, as shown and described.

DESCRIPTION

FIG. 1 is a perspective view of a wire bending device showing my new design, the handles and the jaws depicted by means of broken lines being for illustrative purposes only and forming no part of the claimed design; FIG. 2 is a front elevational view thereof, the opposite end being identical in appearance, the handles and the jaws depicted by means of broken lines being for illustrative purposes only and forming no part of the claimed design; FIG. 3 is a top plan view thereof, the handles and the jaws depicted by means of broken lines being for illustrative purposes only and forming no part of the claimed design; FIG. 4 is a bottom plan view thereof, the handles and the jaws depicted by means of broken lines being for illustrative purposes only and forming no part of the claimed design; FIG. 5 is a left side elevational view thereof; and, FIG. 6 is a right side elevational view thereof.

1 Claim, 4 Drawing Sheets



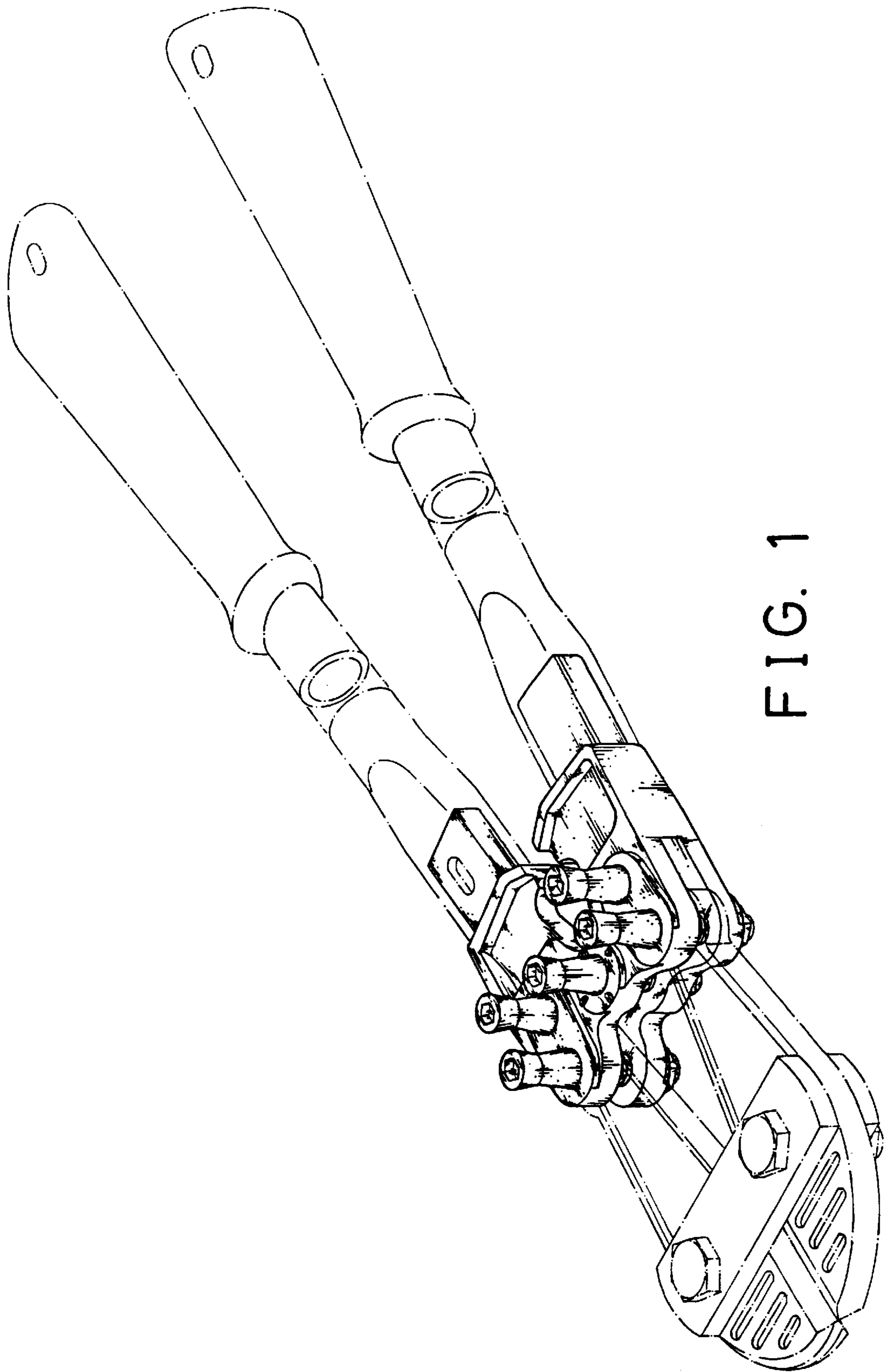


FIG. 1

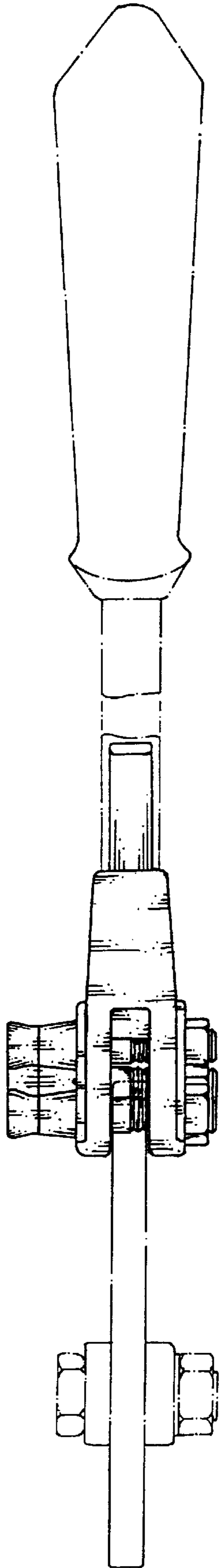


FIG. 2

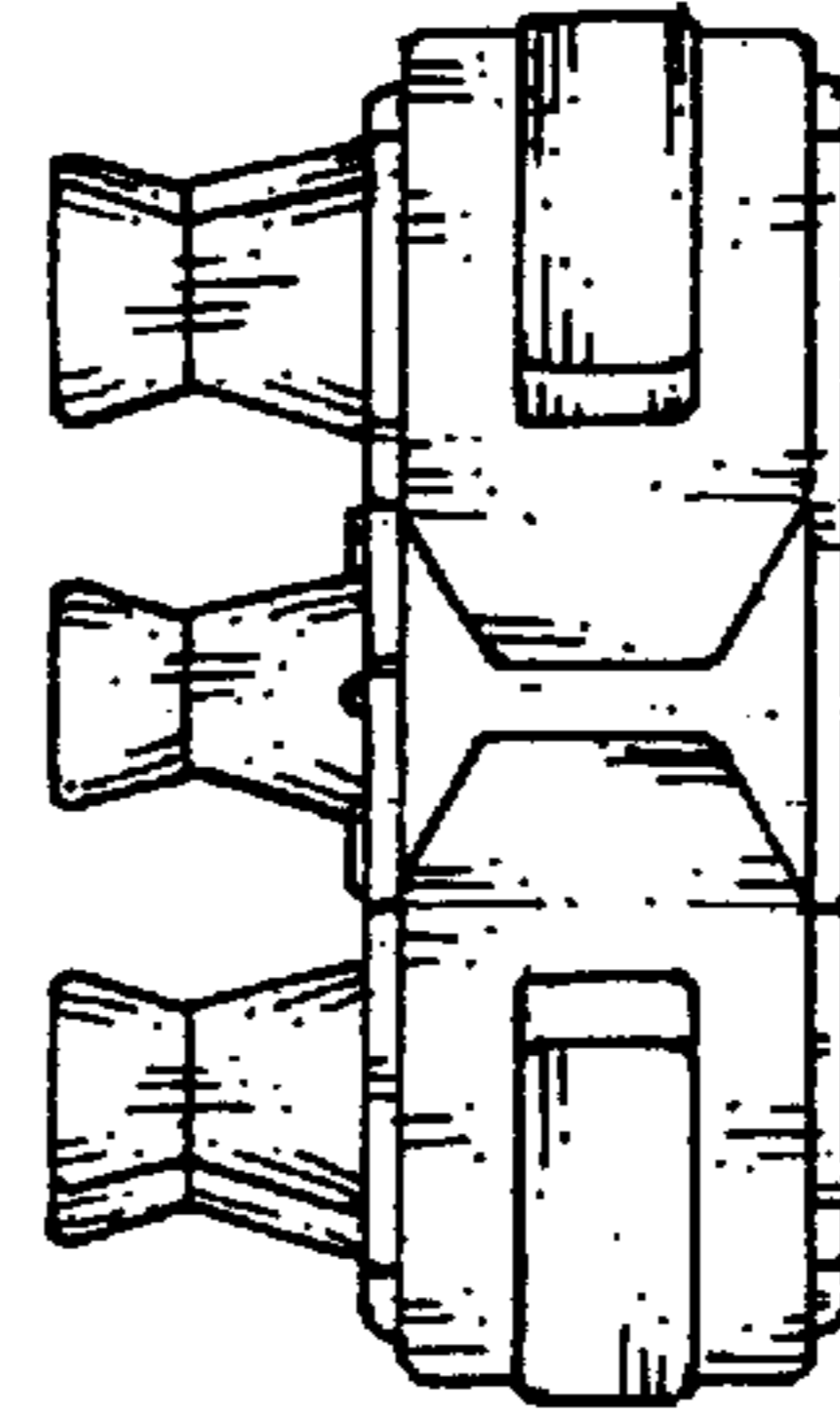


FIG. 6

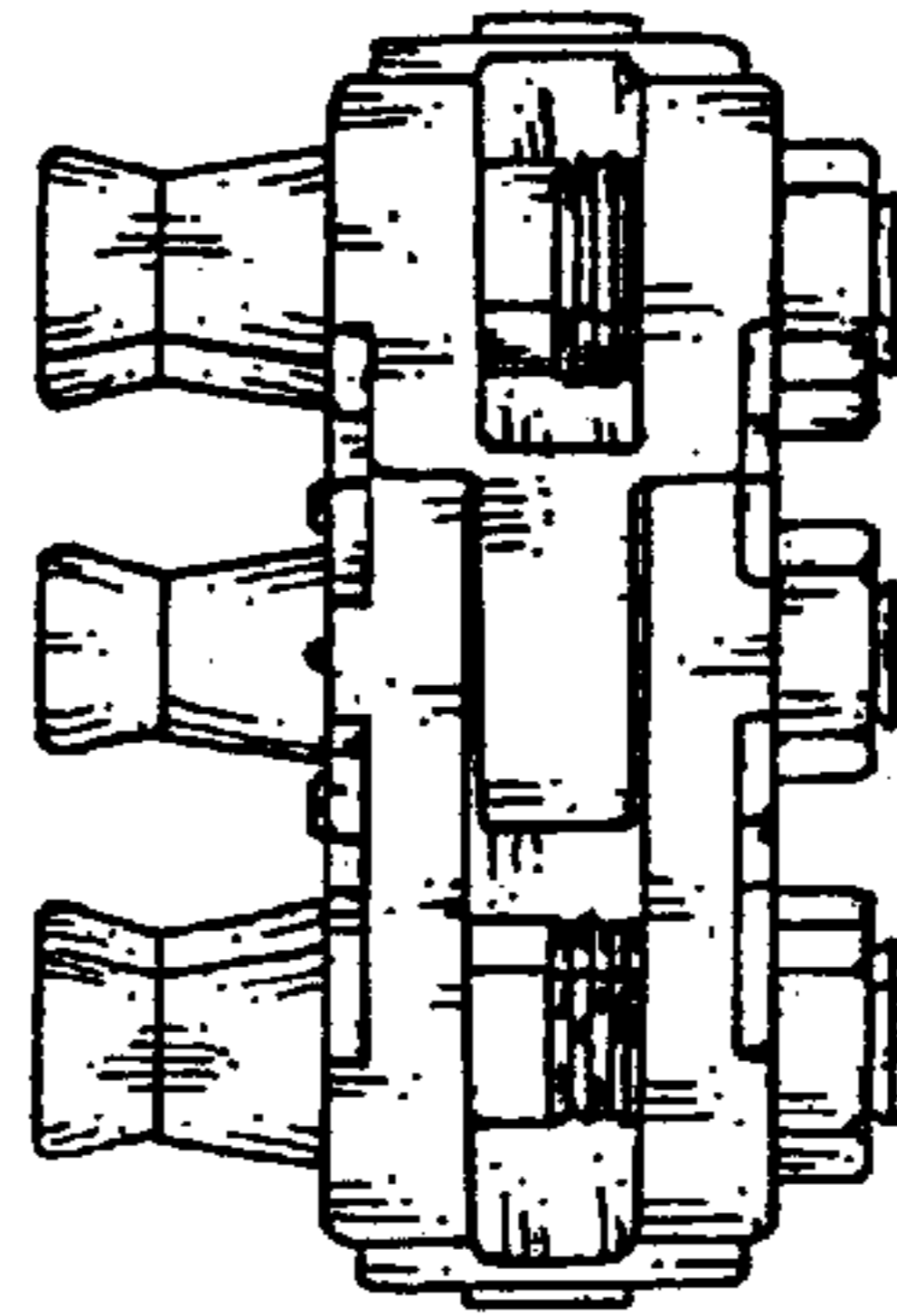


FIG. 5

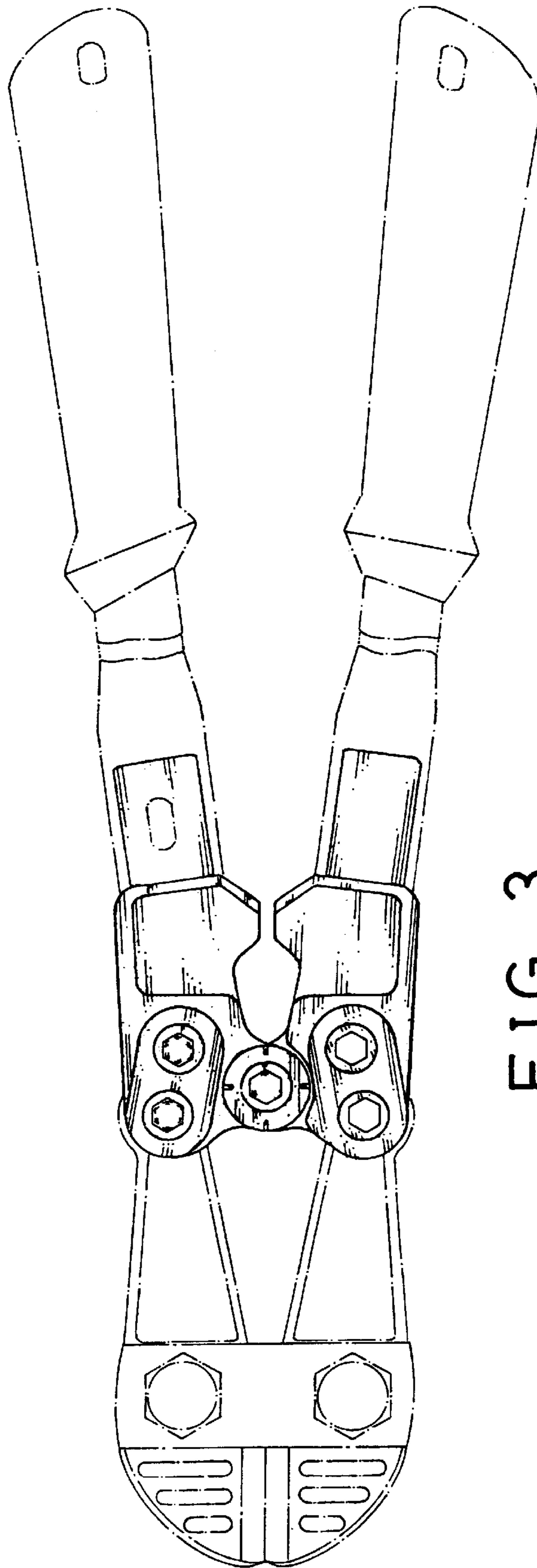


FIG. 3

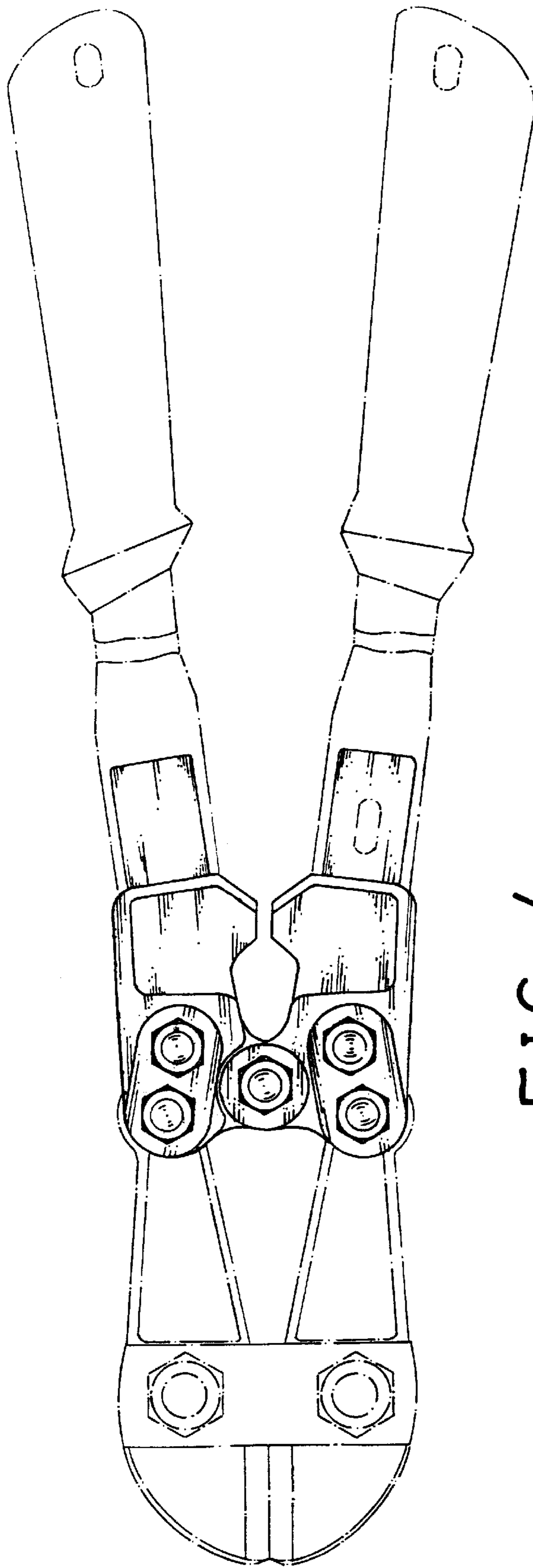


FIG. 4