



US00D422855S

United States Patent [19]

Del Rosso

[11] Patent Number: **Des. 422,855**

[45] Date of Patent: **** Apr. 18, 2000**

[54] **MODIFIED LEAF TARP**

[76] Inventor: **Thomas Del Rosso**, 10 Berger St., Moonachie, N.J. 07074

[**] Term: **14 Years**

[21] Appl. No.: **29/106,028**

[22] Filed: **Jun. 7, 1999**

[51] **LOC (6) Cl.** **08-01**

[52] **U.S. Cl.** **D8/1; D34/1**

[58] **Field of Search** **D8/1, 2; D34/1; 47/84, 86, 23, 26, 28.1, 79, 65.5; 383/4**

[56] **References Cited**

U.S. PATENT DOCUMENTS

Re. 34,849	2/1995	Sanders	383/4
D. 299,979	2/1989	Garrison	D34/1
D. 322,014	12/1991	Weihe	D8/1
D. 327,345	6/1992	Lammon et al.	D34/1
D. 386,865	11/1997	Storm	D34/1
D. 394,929	6/1998	Ahumada	D34/1
D. 408,233	4/1999	Price	D8/1
1,385,695	7/1921	MacCormack	.
2,766,797	10/1956	Cowen	150/52

3,312,263	4/1967	Wahlstrom	150/2
4,471,600	9/1984	Dunleavy	53/468
4,519,183	5/1985	Parody	53/461
4,580,372	4/1986	Osborn	52/3
4,602,664	7/1986	Hullen	150/52
4,881,684	11/1989	Chinman	229/87
5,104,133	4/1992	Reiner	280/19
5,364,188	11/1994	Godfried et al.	383/4
5,709,477	1/1998	Schinasi et awl.	383/4

Primary Examiner—Robin V. Taylor
Attorney, Agent, or Firm—Wolff & Samson

[57] **CLAIM**

The ornamental design for a modified leaf tarp, as shown and described.

DESCRIPTION

FIG. 1 is a perspective view of the modified leaf tarp design of the present invention; FIG. 2 is a right side plan view thereof; the left side being a mirror image thereof; and, FIG. 3 is a top perspective view thereof, in folded position. The broken line showing in FIGS. 1 and 3 is for illustrative purposes only and forms no part of the claimed design.

1 Claim, 1 Drawing Sheet

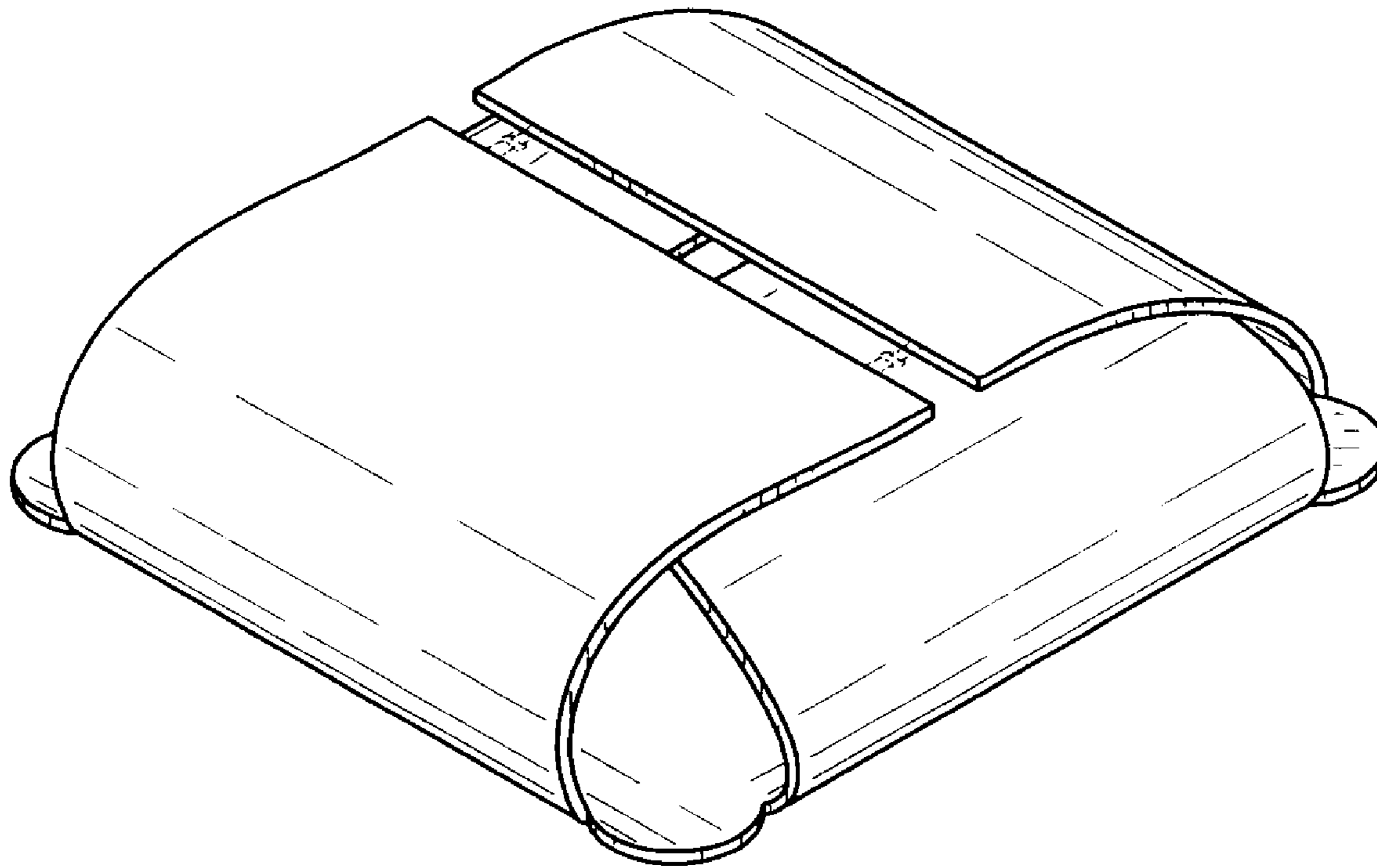


FIG. 1

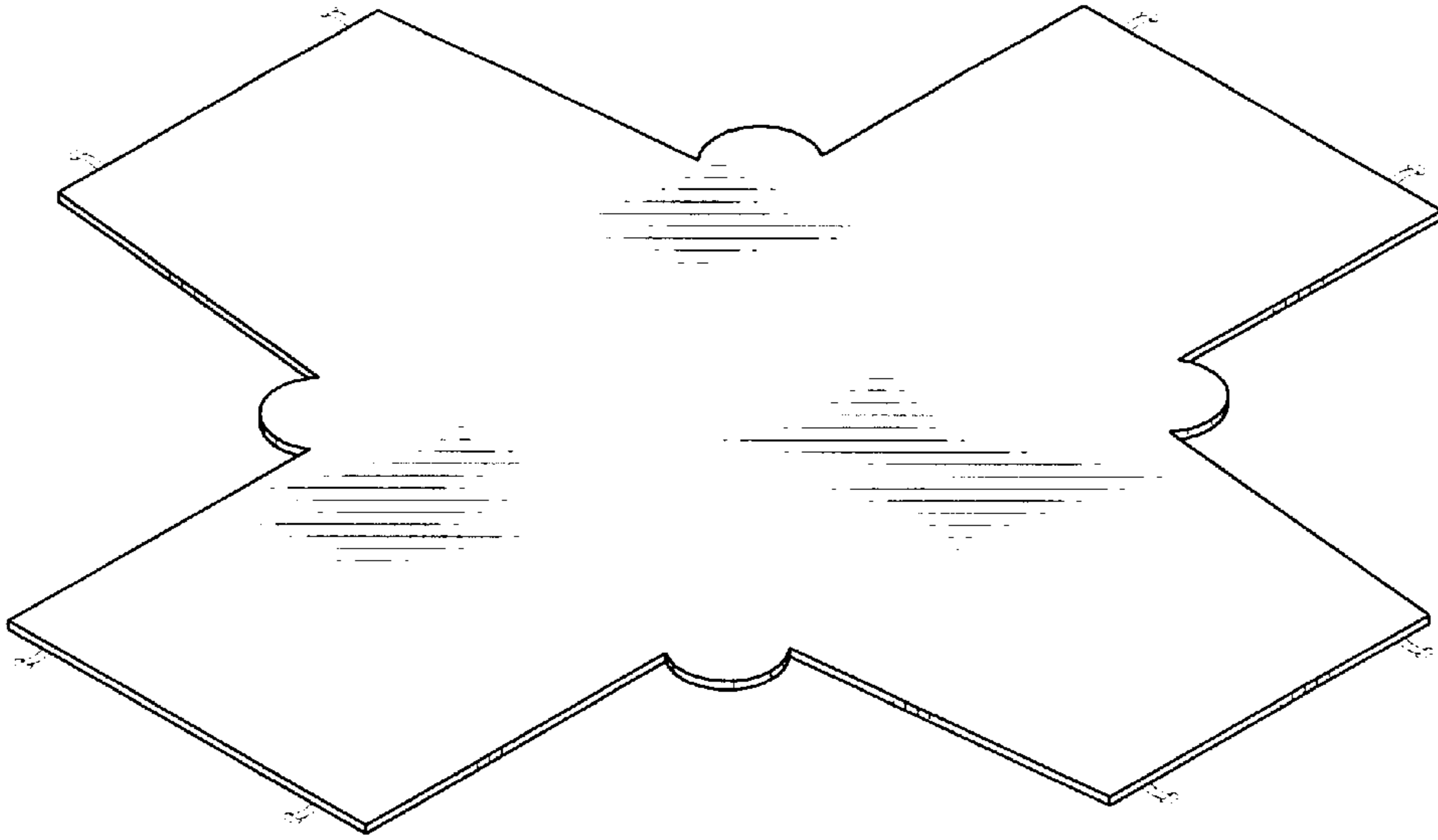


FIG. 2

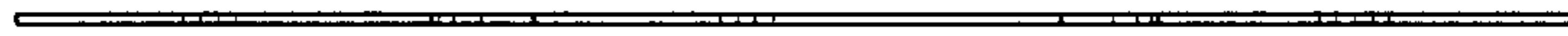


FIG. 3

