



US00D422853S

**United States Patent** [19]  
**Cheslow**

[11] **Patent Number: Des. 422,853**

[45] **Date of Patent: \*\* Apr. 18, 2000**

[54] **FOOD HOLDING DEVICE**

[76] Inventor: **Martha Frimer Cheslow**, 25  
Cambridge Rd., Freehold, N.J. 07728

[\*\*] Term: **14 Years**

[21] Appl. No.: **29/097,796**

[22] Filed: **Dec. 14, 1998**

[51] **LOC (6) Cl.** ..... **07-06**

[52] **U.S. Cl.** ..... **D7/683**

[58] **Field of Search** ..... D7/683, 669; 30/359;  
99/419; 269/54.1; 294/1.1, 61

[56] **References Cited**

**U.S. PATENT DOCUMENTS**

D. 307,228	4/1990	Borner	.....	D7/683
D. 406,498	3/1999	Zirbes	.....	D7/683
3,010,500	11/1961	Jordan	.....	269/54.1

*Primary Examiner*—Terry A. Wallace  
*Attorney, Agent, or Firm*—Omri M. Behr, Esq.

[57] **CLAIM**

The ornamental design for a food holding device, as shown and described.

**DESCRIPTION**

FIG. 1 is a top front perspective of the device of the present design.

FIG. 2 is a bottom front perspective of the device of FIG. 1.

FIG. 3 is a right side elevational view of the device of FIG. 1.

FIG. 4 is a left side elevational view of the device of FIG. 1.

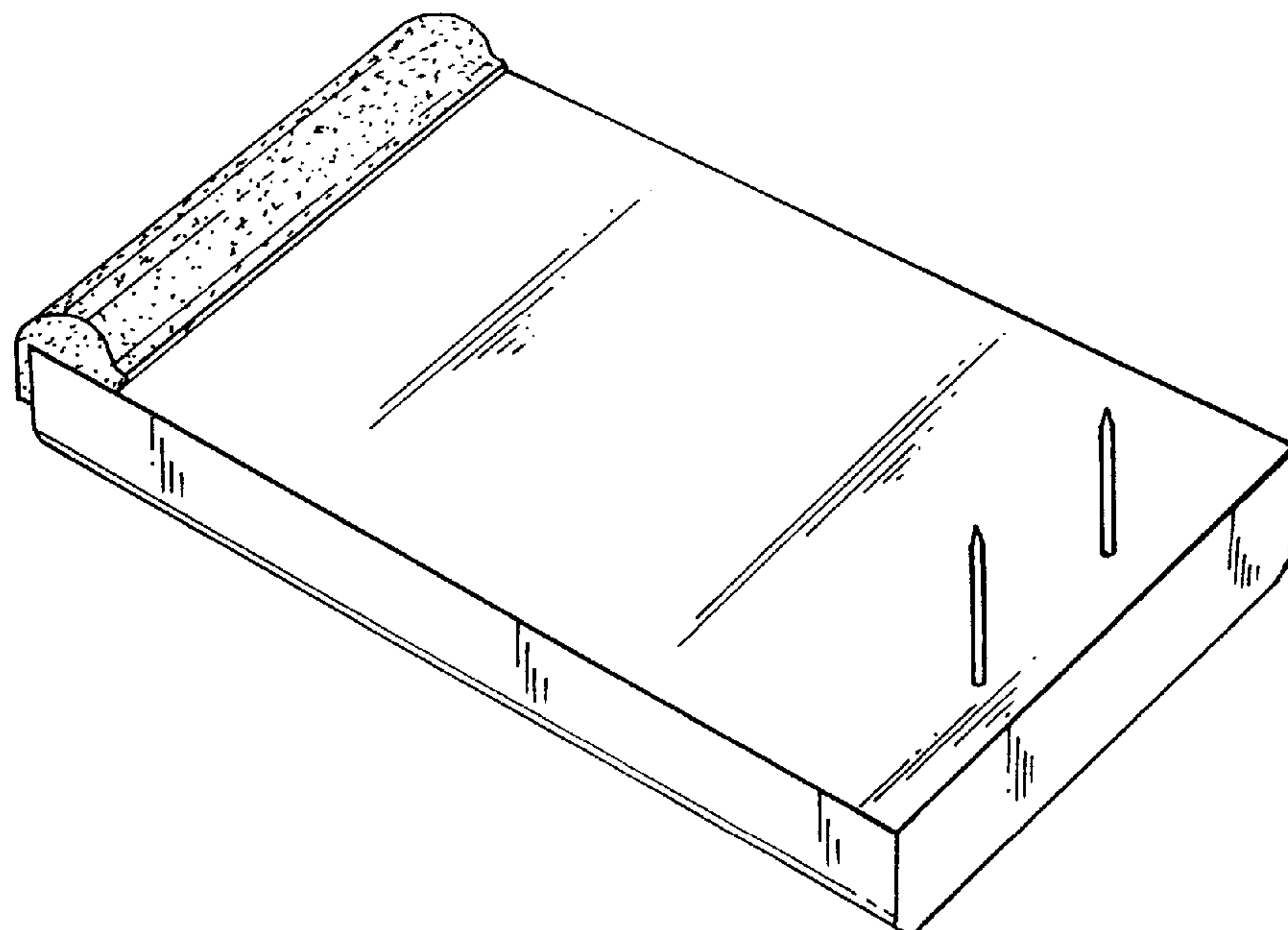
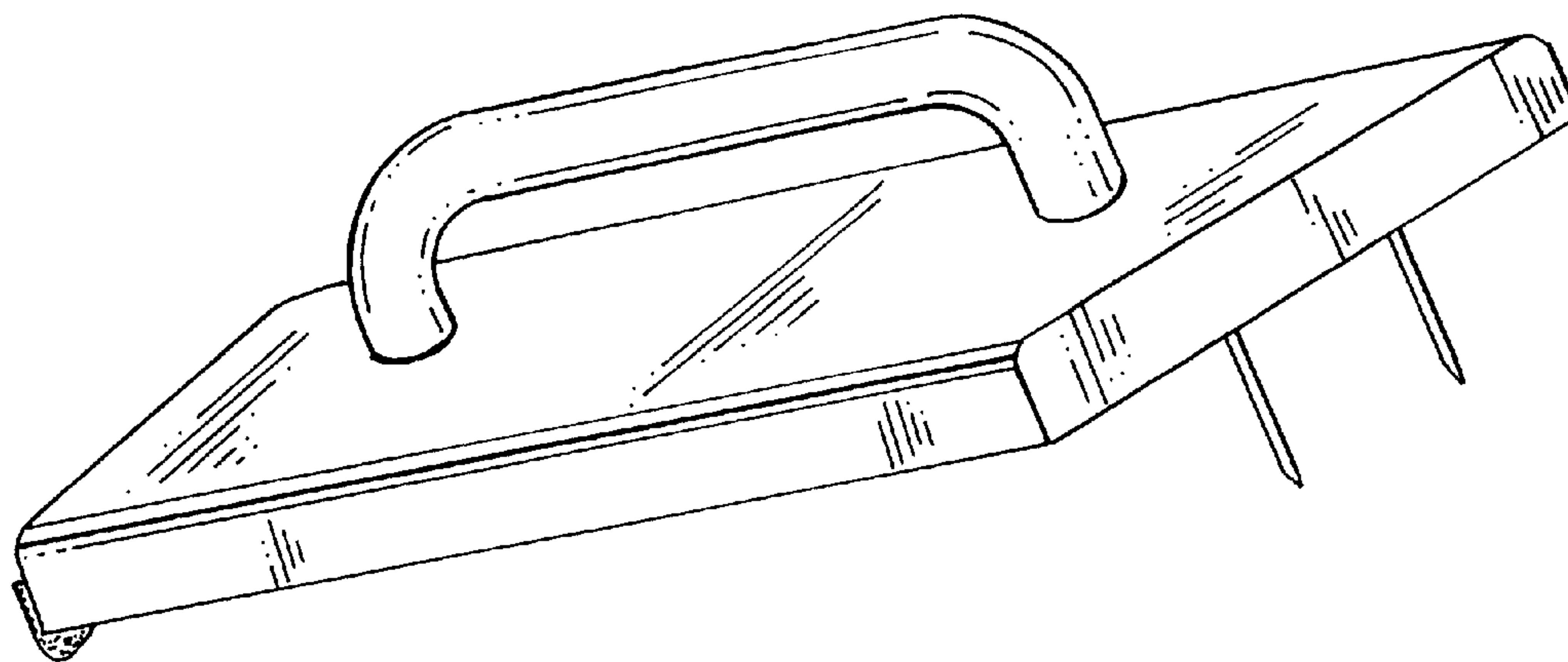
FIG. 5 is a front elevational view of the device of FIG. 1.

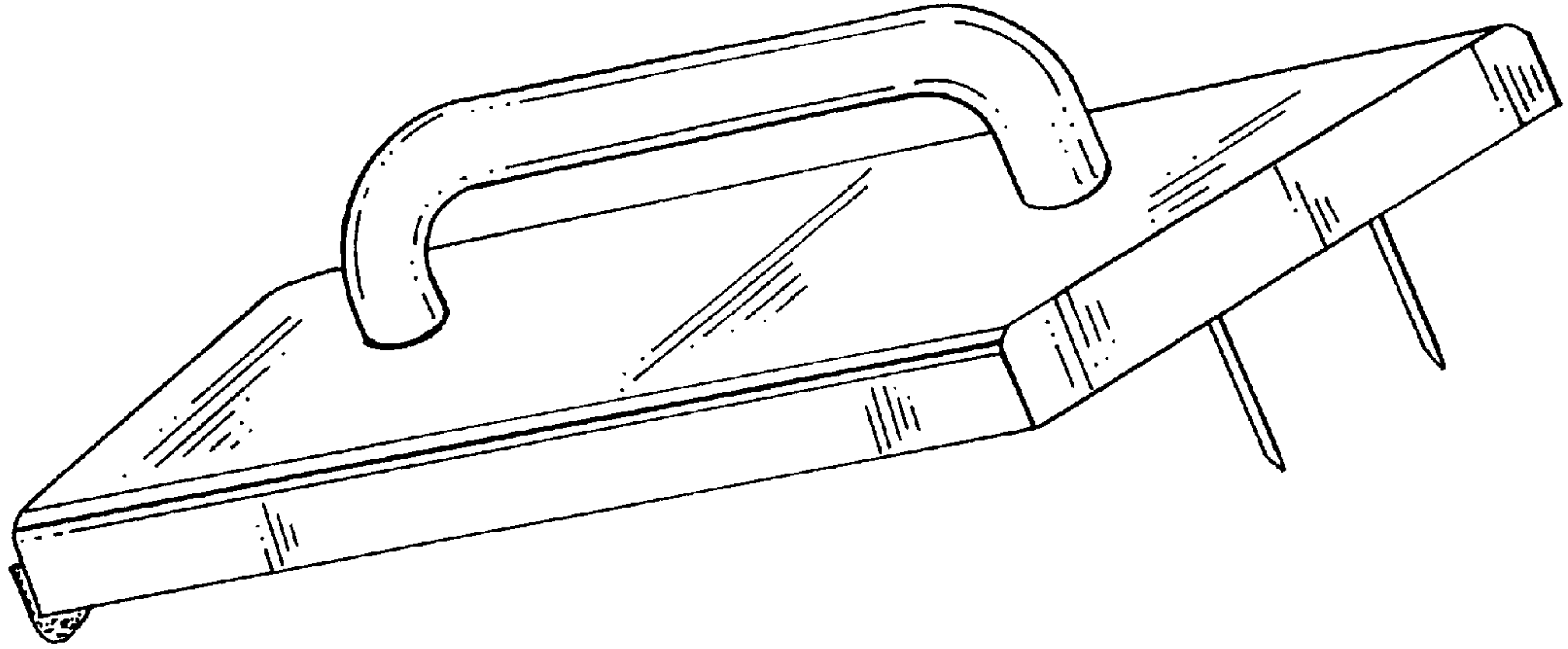
FIG. 6 is rear elevational view of the device of FIG. 1.

FIG. 7 is a downward plan view of the device of FIG. 1; and,

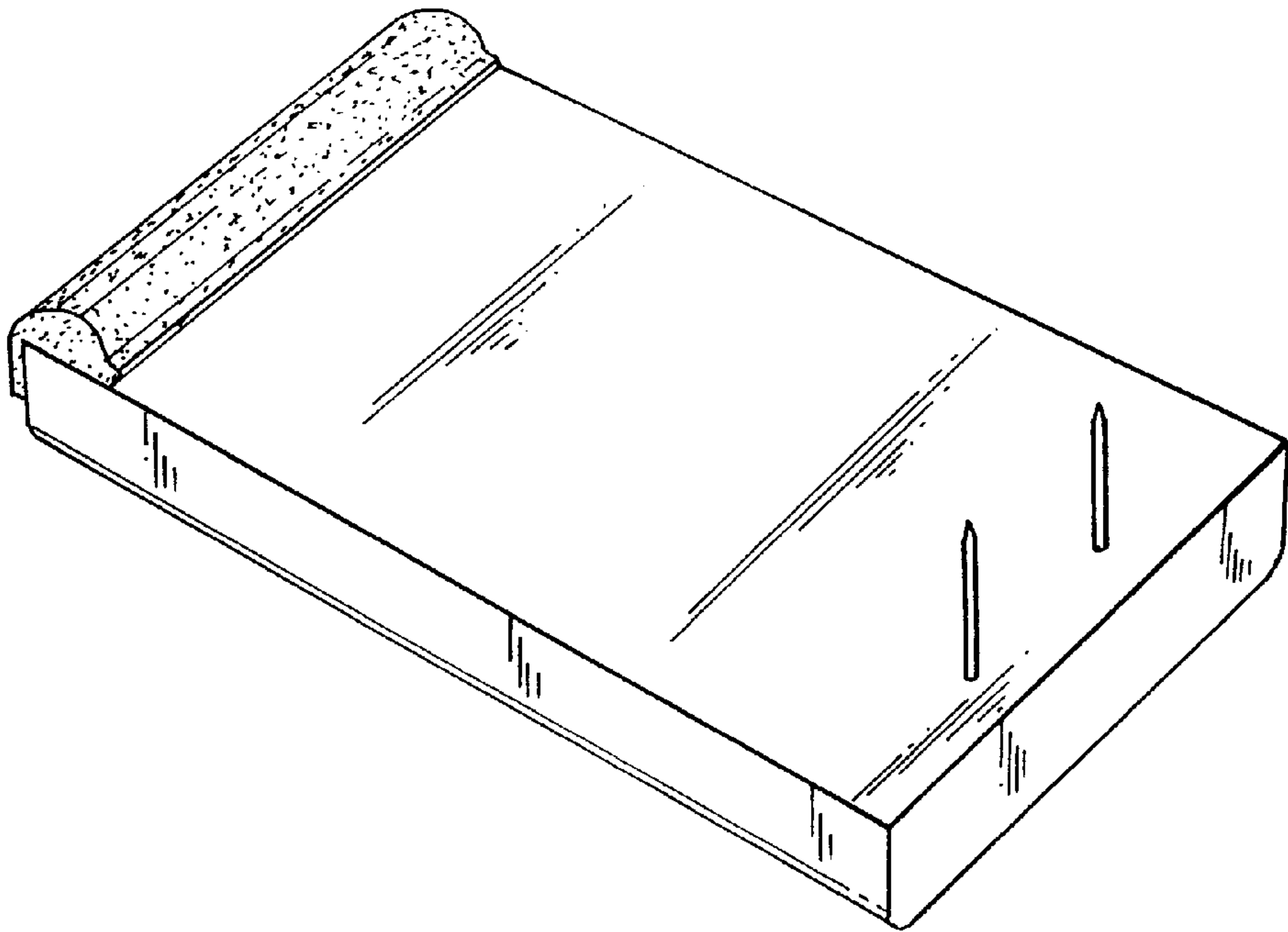
FIG. 8 is an upward plan view of the device of FIG. 1.

**1 Claim, 3 Drawing Sheets**

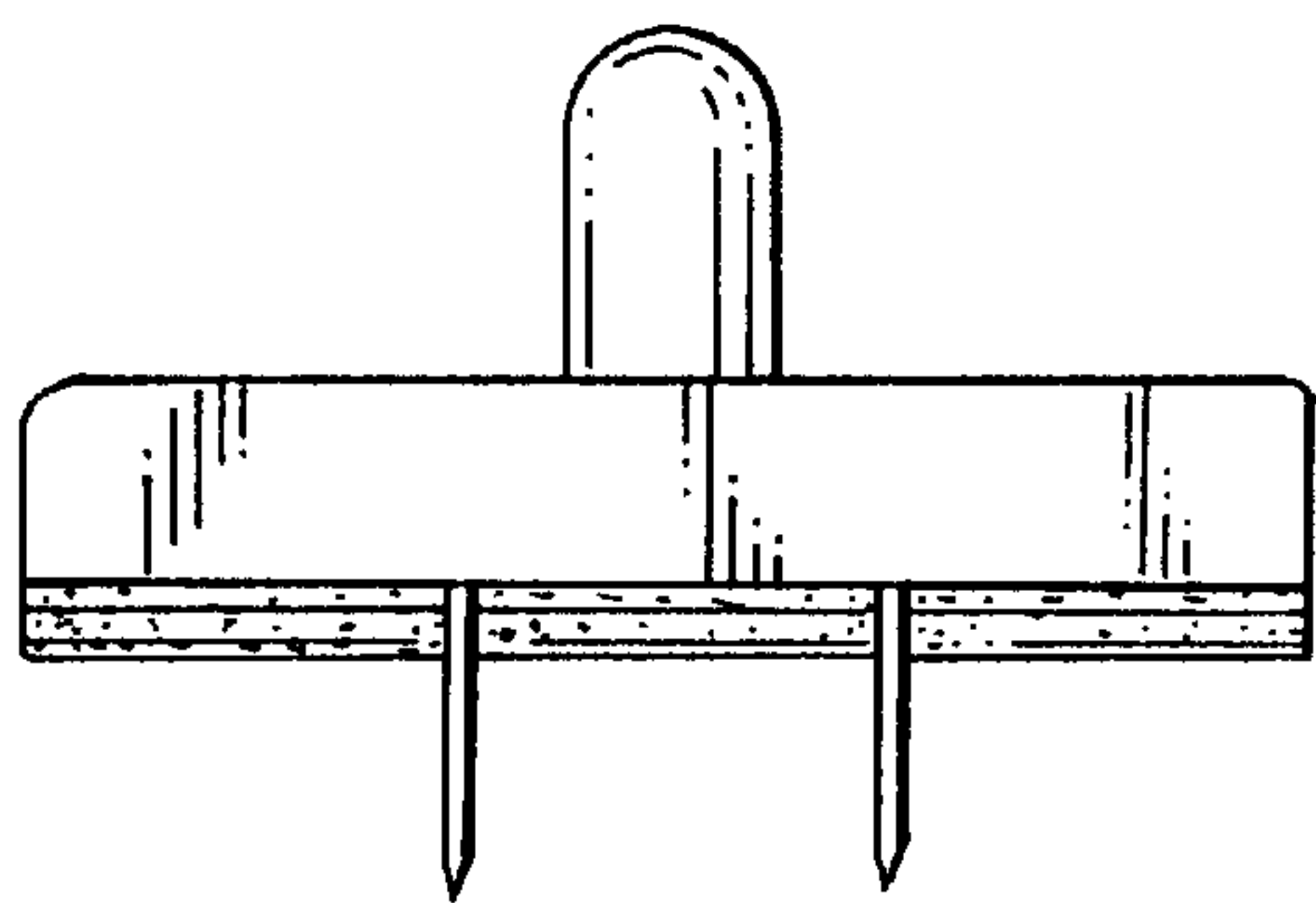




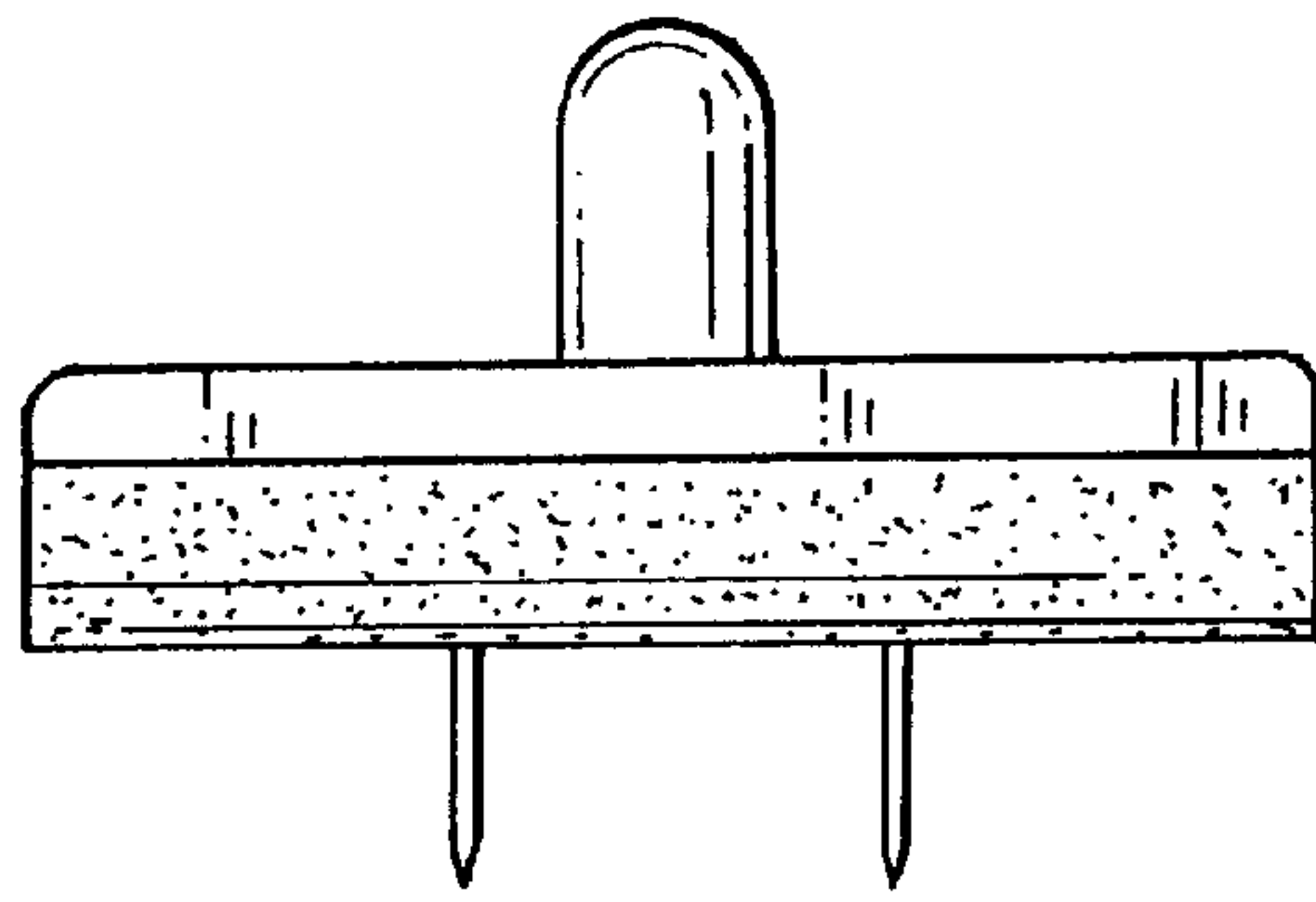
*FIG. 1*



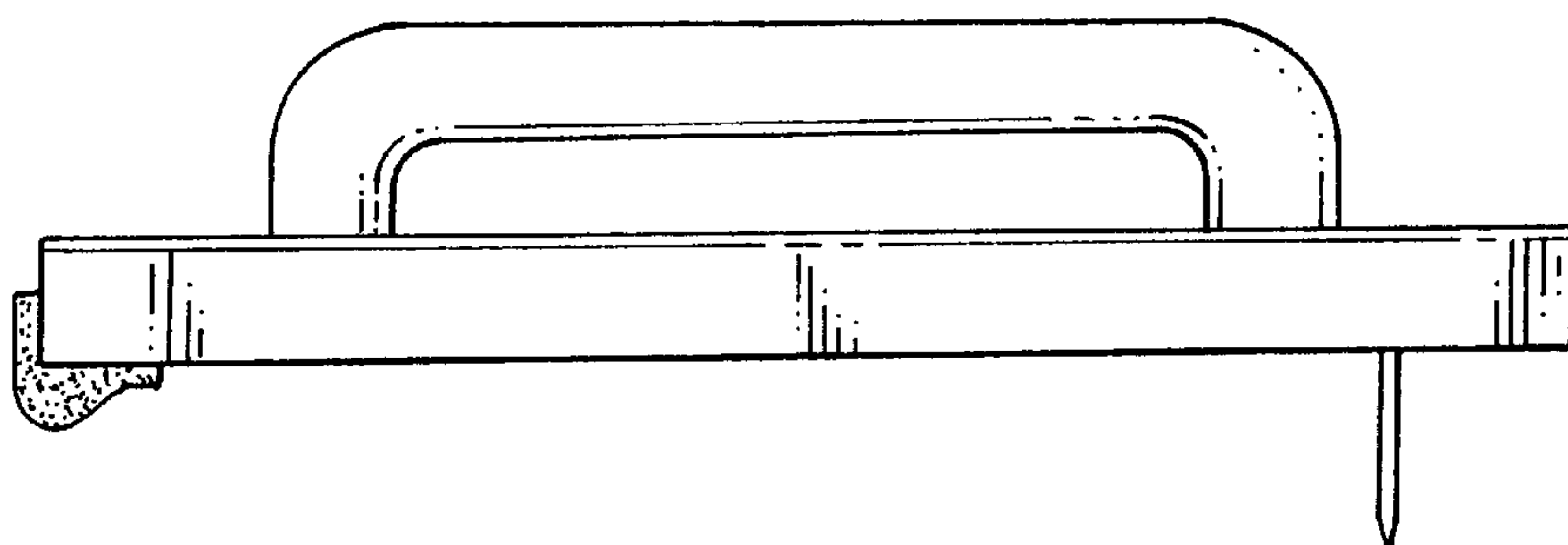
*FIG. 2*



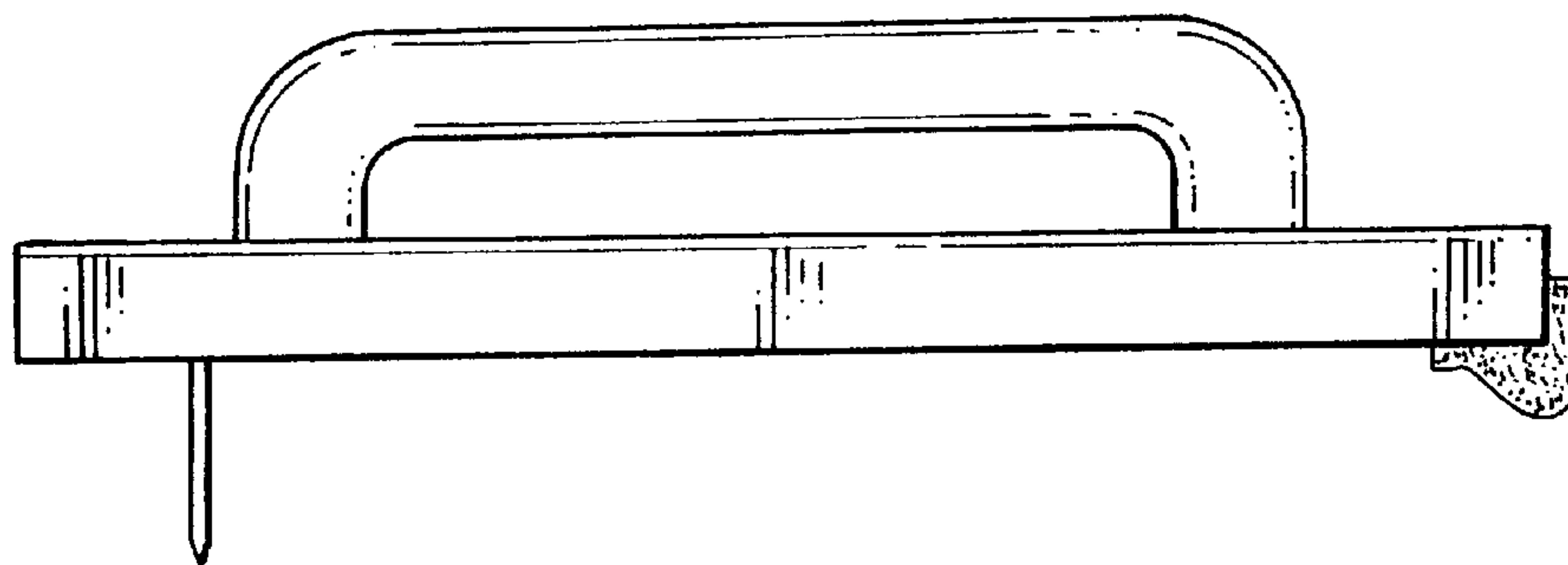
*FIG. 3*



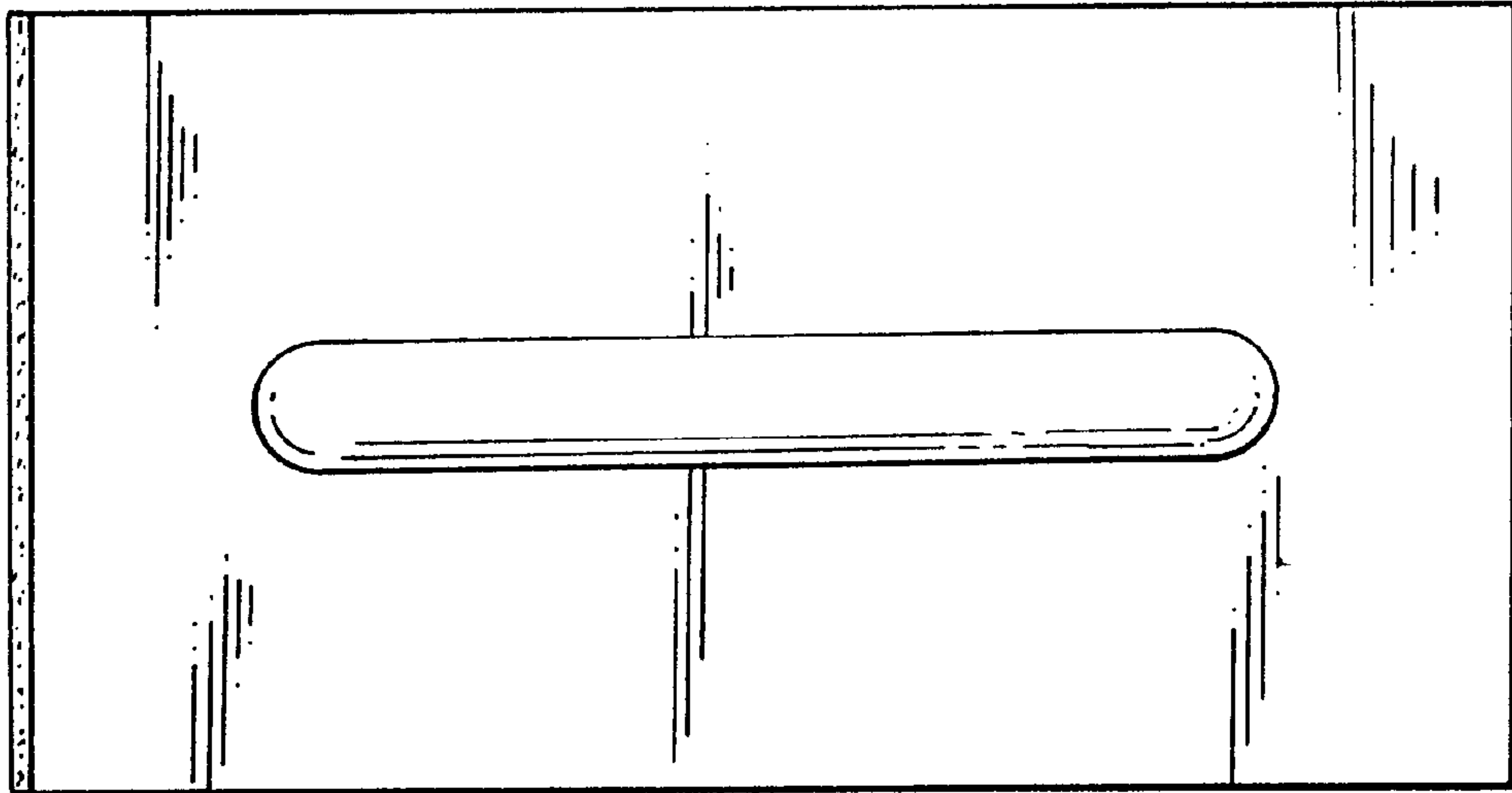
*FIG. 4*



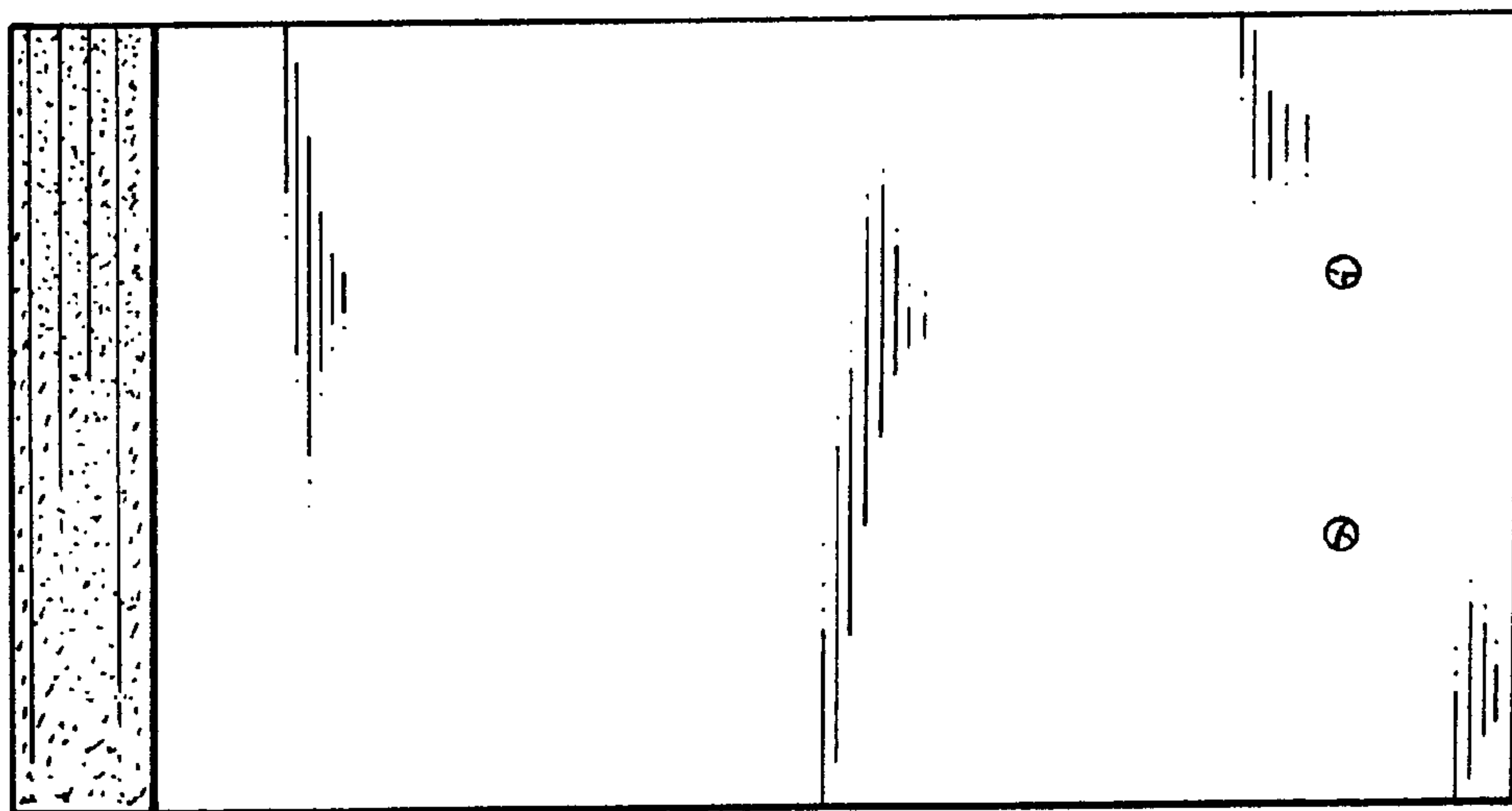
*FIG. 5*



*FIG. 6*



*FIG. 7*



*FIG. 8*