



US00D422846S

United States Patent [19]
Swick

[11] **Patent Number: Des. 422,846**

[45] **Date of Patent: ** Apr. 18, 2000**

[54] **STORAGE CONTAINER FOR HOLDING MULTIPLE TRAYS**

1,924,494 8/1933 Gelinas 190/12 R
2,138,560 11/1938 Stuart 220/23.83
3,992,069 11/1976 Kitterman 312/244
4,123,128 10/1978 Abele 312/244

[76] Inventor: **Susan M. Swick**, 4538 Clearview Dr.,
Canfield, Ohio 44406

[**] Term: **14 Years**

Primary Examiner—Terry A. Wallace

[21] Appl. No.: **29/092,645**

[57] **CLAIM**

[22] Filed: **Aug. 24, 1998**

The ornamental design for a storage container for holding multiple trays, as shown.

[51] **LOC (6) Cl.** **07-99**

DESCRIPTION

[52] **U.S. Cl.** **D7/601; D7/610**

[58] **Field of Search** D7/601, 609, 610,
D7/629, 630; 211/41.2, 135; 220/23.83,
6; 312/132, 244, 236, 293.2, 311, 320;
206/44, 505-507

FIG. 1 is a front perspective view of the storage container;
FIG. 2 is a rear perspective view of the storage container;
FIG. 3 is a front elevational view of the storage container;
and,

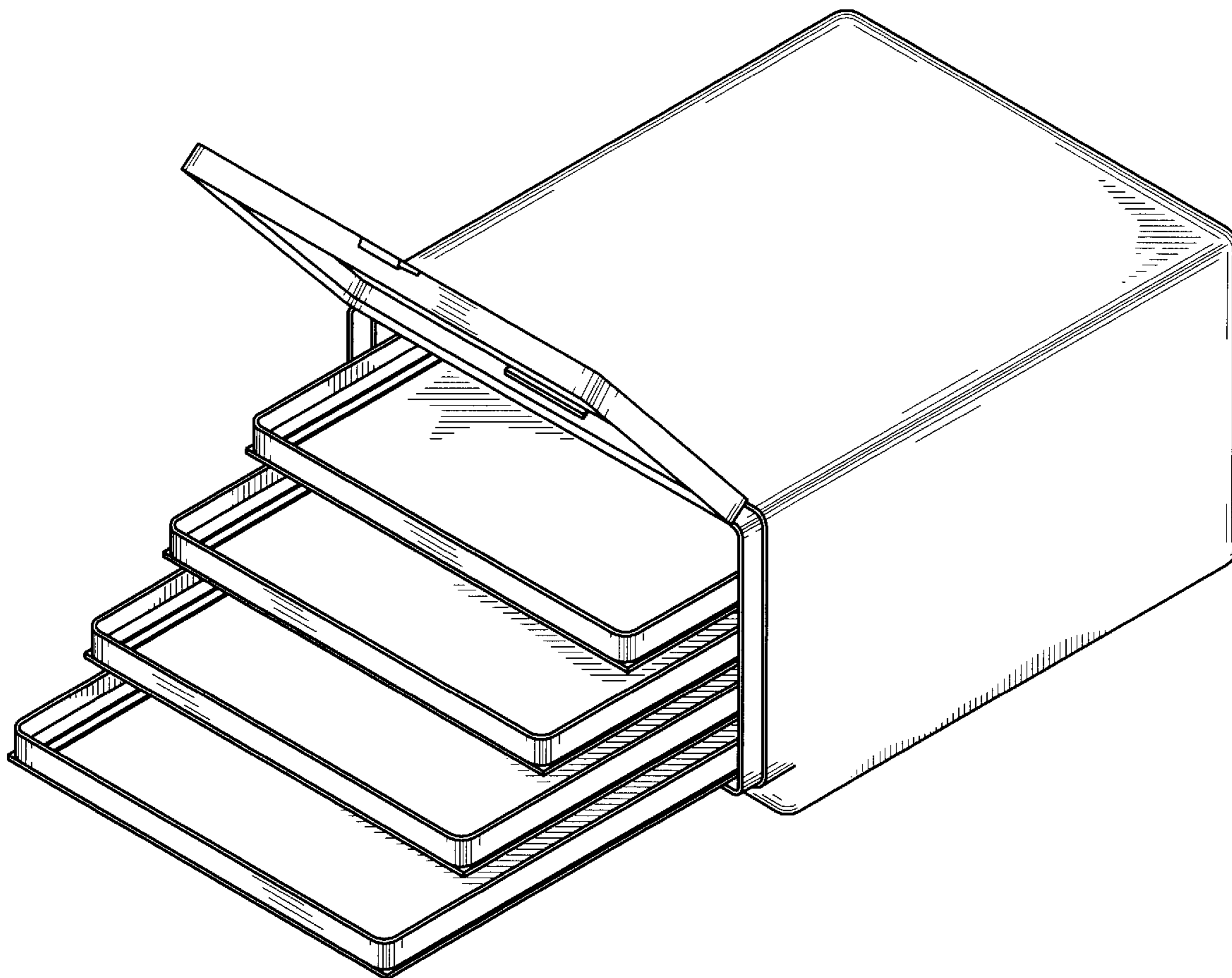
[56] **References Cited**

FIG. 4 is a bottom plan view of the storage container.

U.S. PATENT DOCUMENTS

D. 365,729 1/1996 Wold D7/610

1 Claim, 4 Drawing Sheets



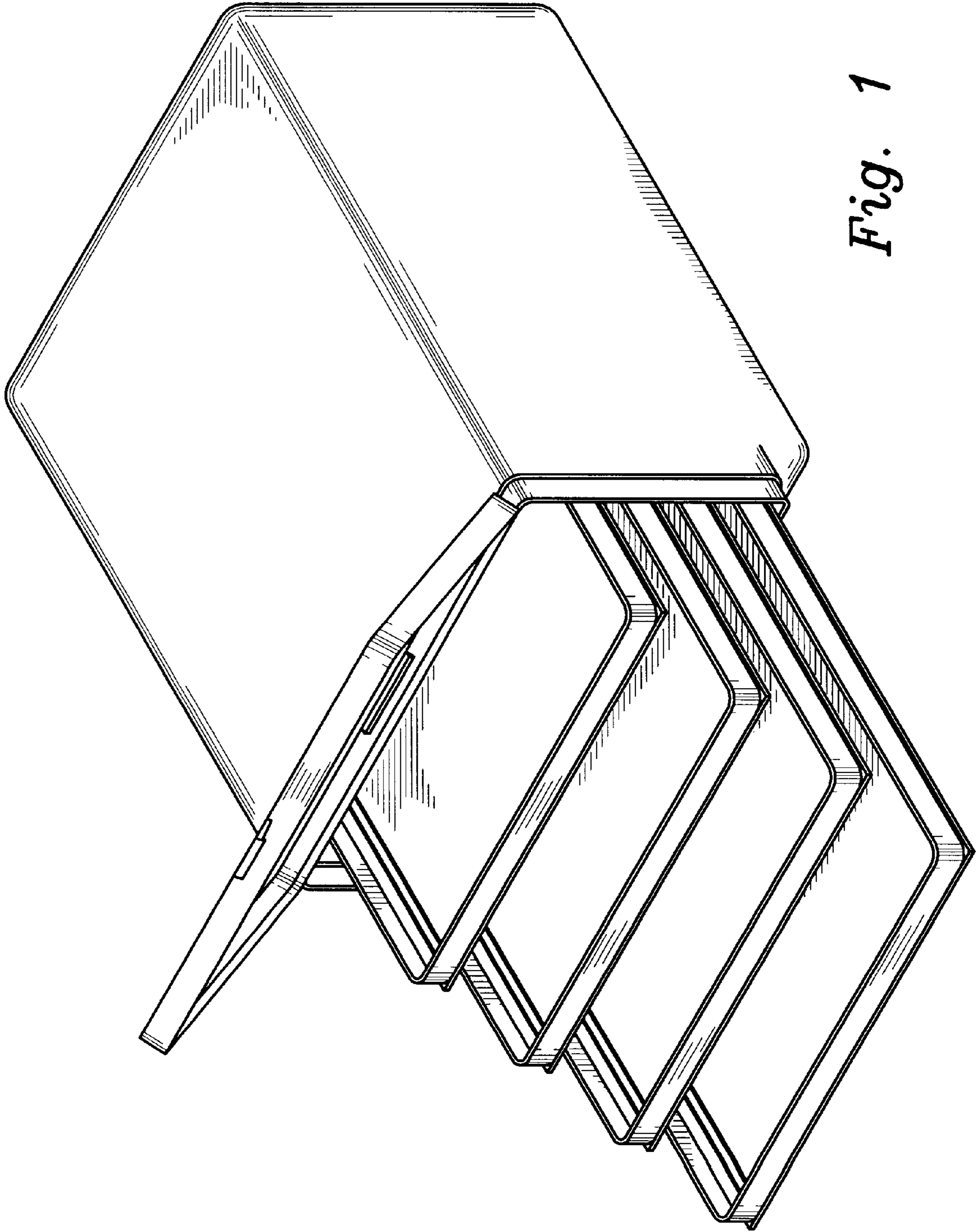


Fig. 1

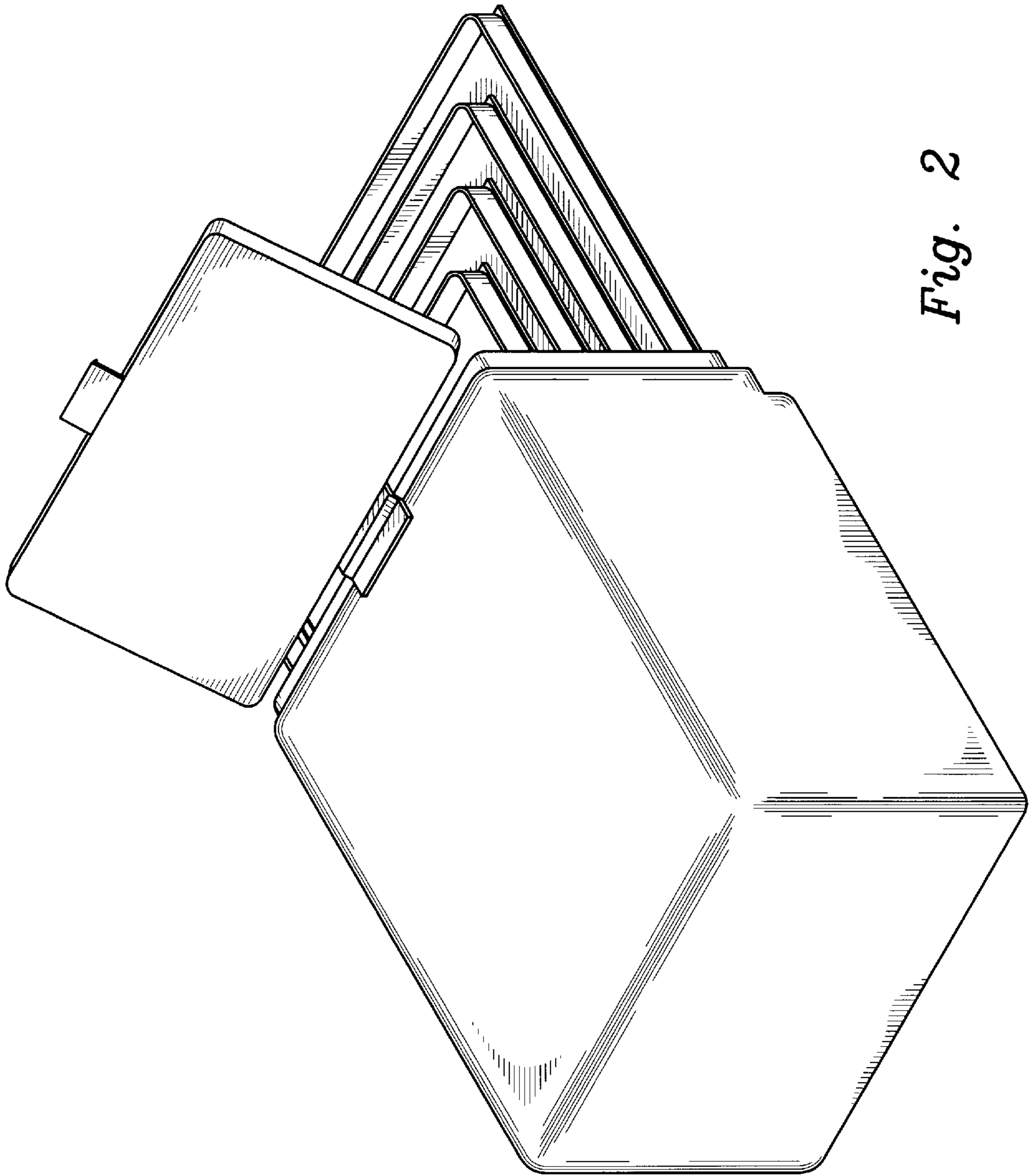


Fig. 2

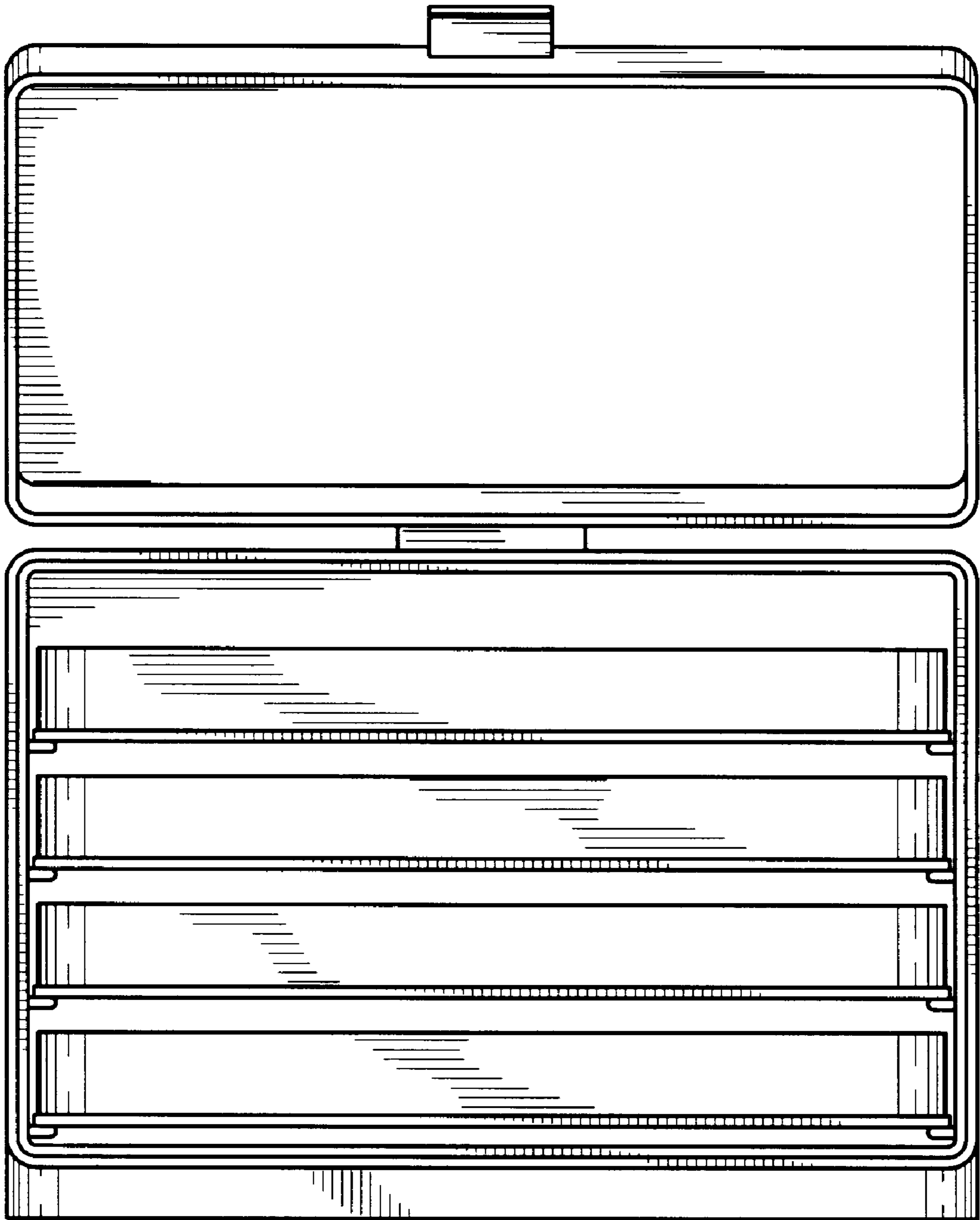


Fig. 3

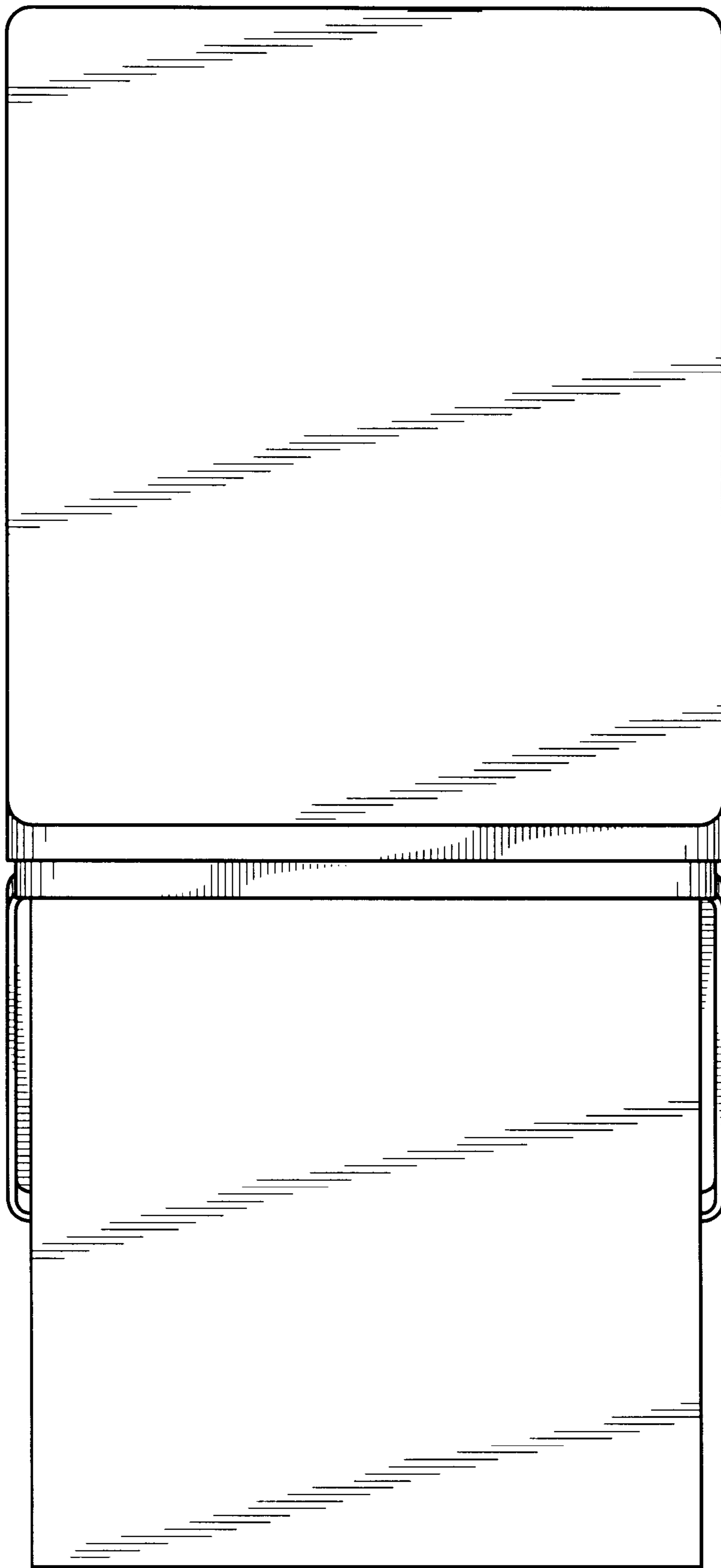


Fig. 4