



US00D422844S

**United States Patent** [19]  
**Reimer**

[11] **Patent Number: Des. 422,844**

[45] **Date of Patent: \*\* Apr. 18, 2000**

[54] **BOUILLON BOWL**

[75] Inventor: **Suzanne M. Reimer**, Cheektowaga, N.Y.

[73] Assignee: **Oneida, Ltd.**, Oneida, N.Y.

[\*\*] Term: **14 Years**

[21] Appl. No.: **29/109,588**

[22] Filed: **Aug. 18, 1999**

[51] **LOC (6) Cl.** ..... **07-01**

[52] **U.S. Cl.** ..... **D7/564; D7/573; D7/578**

[58] **Field of Search** ..... D7/506, 539, 548, D7/544, 551.1, 551.3, 554.2, 556, 588, 559, 560, 563, 564, 567, 569, 571, 573, 578, 519, 585, 586; D11/149, 158; 220/574, 575

[56] **References Cited**

**U.S. PATENT DOCUMENTS**

D. 103,670	3/1937	Connor	.....	D7/554.2
D. 107,862	1/1938	Fuerst	.....	D7/519
D. 118,363	1/1940	Betz	.....	D11/149
D. 127,279	5/1941	Ramsthal	.....	D7/539
D. 172,409	6/1954	Warsager	.....	D7/519

D. 211,535	6/1968	Gerow	.....	D7/544
D. 226,723	4/1973	Milrow	.....	D7/544 X
D. 255,080	5/1980	Gobleck, Jr.	.....	D7/544
D. 270,321	8/1983	Sun	.....	D7/539
D. 284,632	7/1986	Durand	.....	D7/564
D. 345,896	4/1994	Matt	.....	D7/560 X

*Primary Examiner*—M. N. Pandozzi  
*Attorney, Agent, or Firm*—Wall Marjama Bilinski & Burr

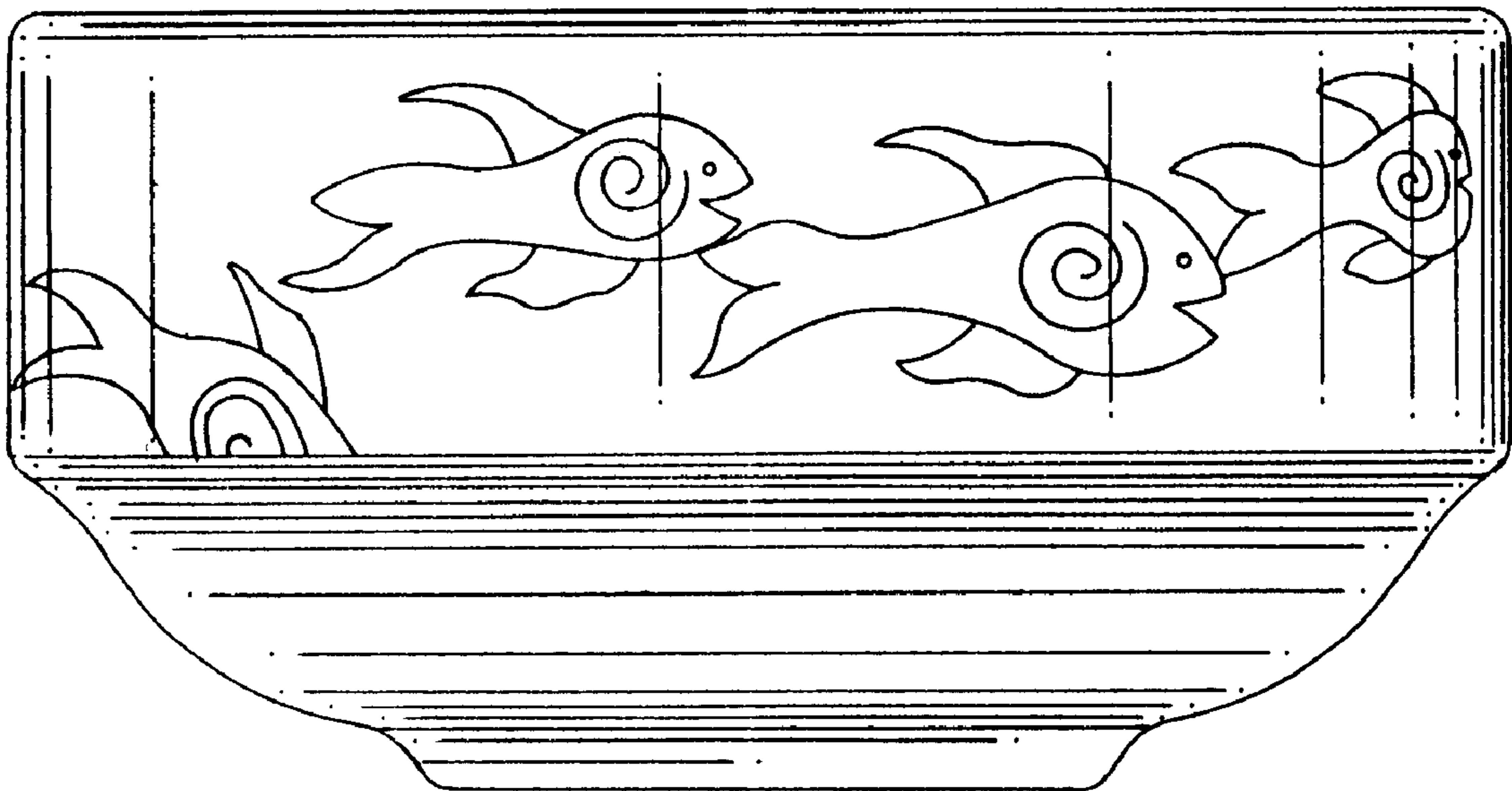
[57] **CLAIM**

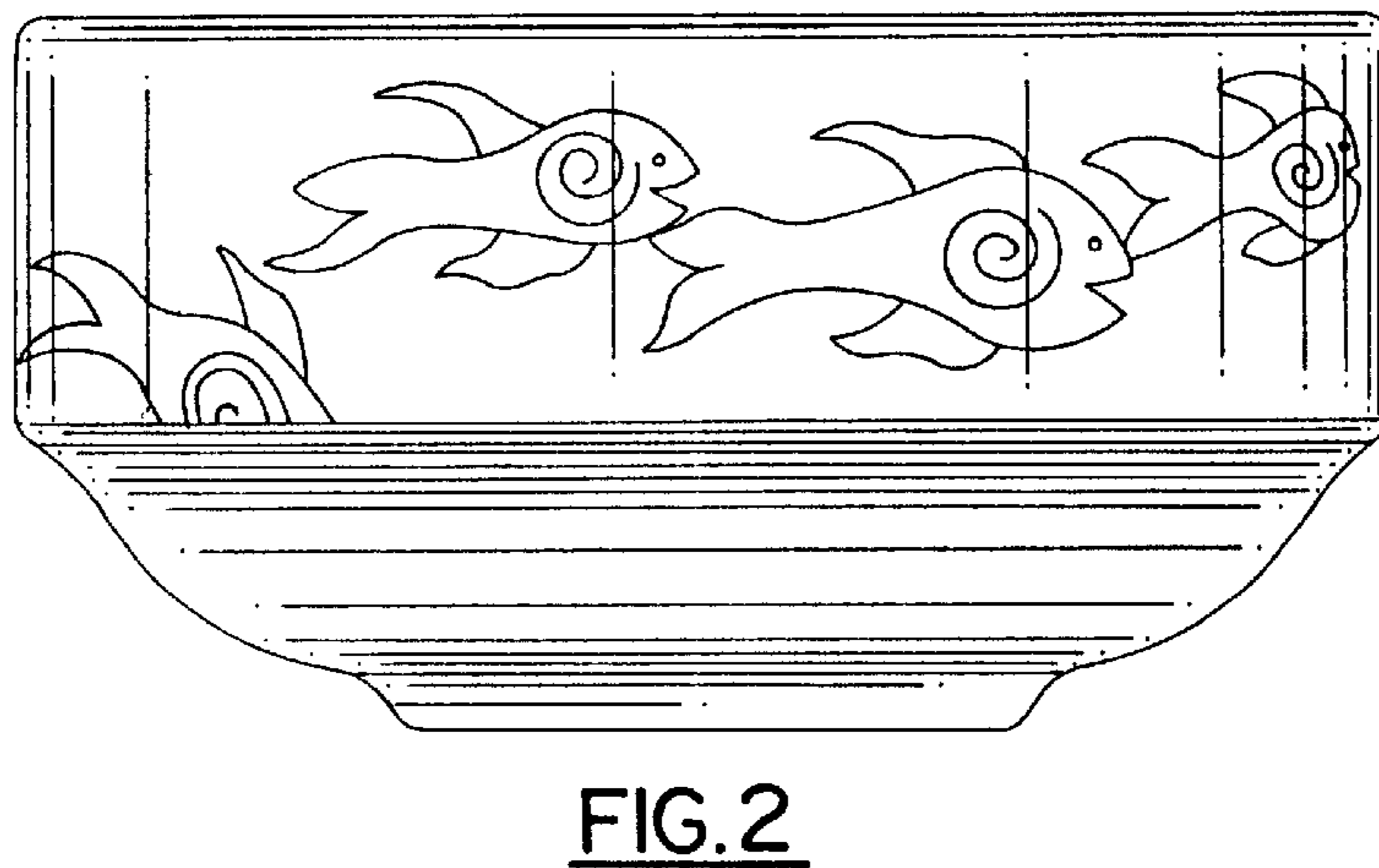
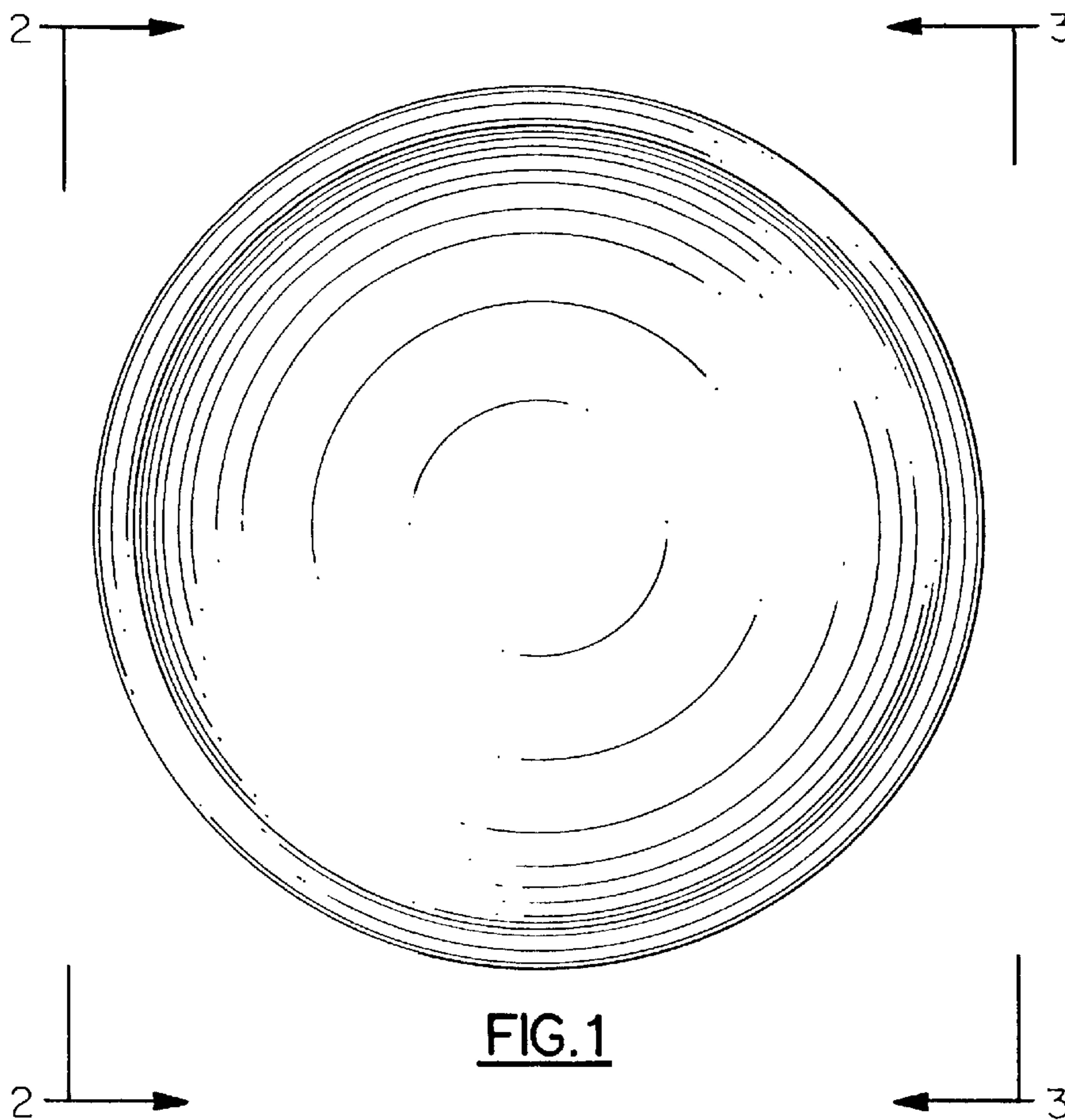
The ornamental design for a bouillon bowl, as shown and described.

**DESCRIPTION**

FIG. 1 is a front elevation of a bouillon bowl showing my new design;  
FIG. 2 is a left side view thereof taken along lines 2—2 in FIG. 1;  
FIG. 3 is a right side view thereof taken along lines 3—3 in FIG. 1;  
FIG. 4 is a bottom view;  
FIG. 5 is a rear elevation thereof taken along lines 5—5 in FIG. 3; and,  
FIG. 6 is a front elevation thereof taken along lines 6—6 in FIG. 3.

**1 Claim, 3 Drawing Sheets**





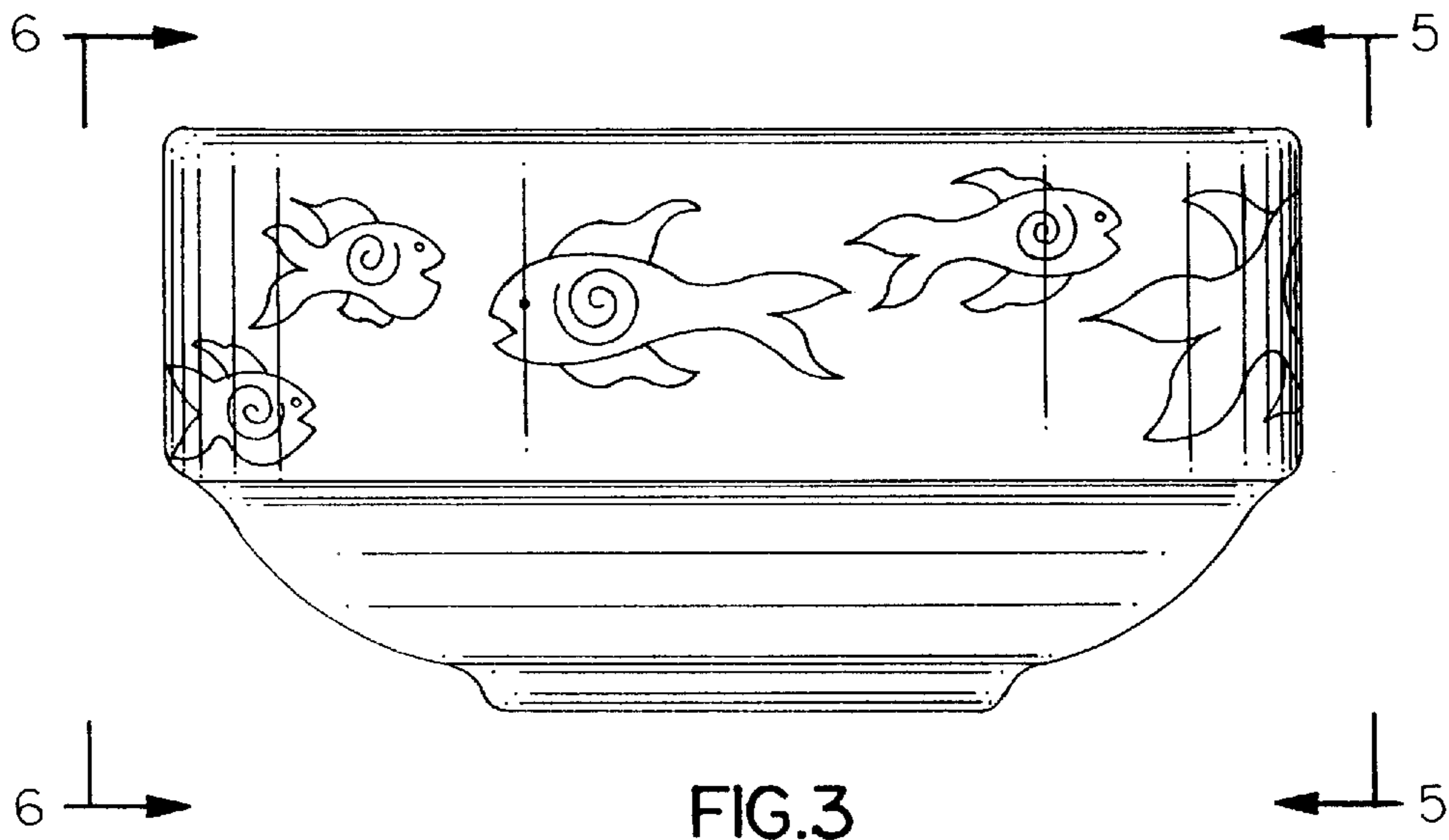


FIG. 3

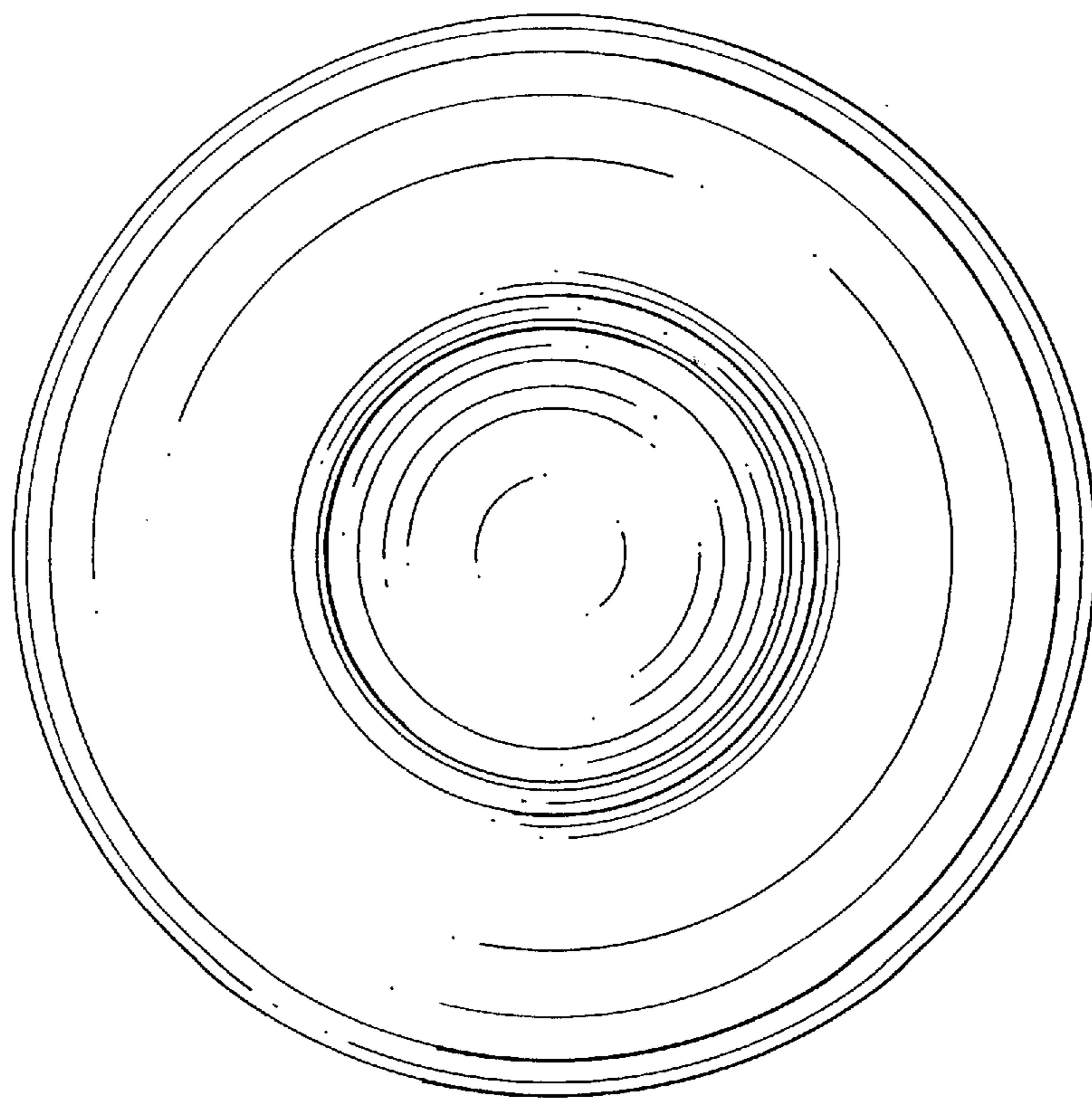


FIG. 4

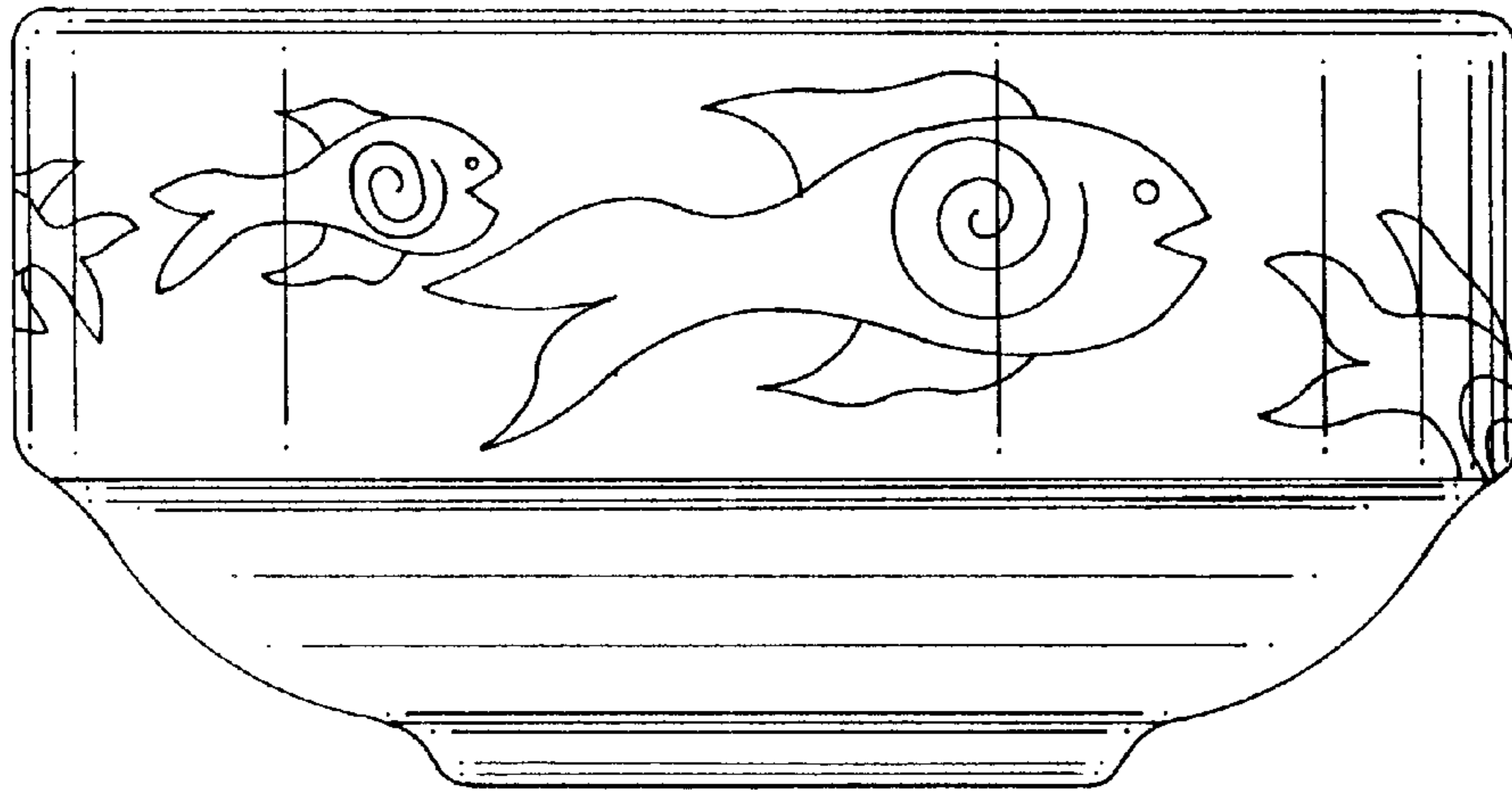


FIG. 5

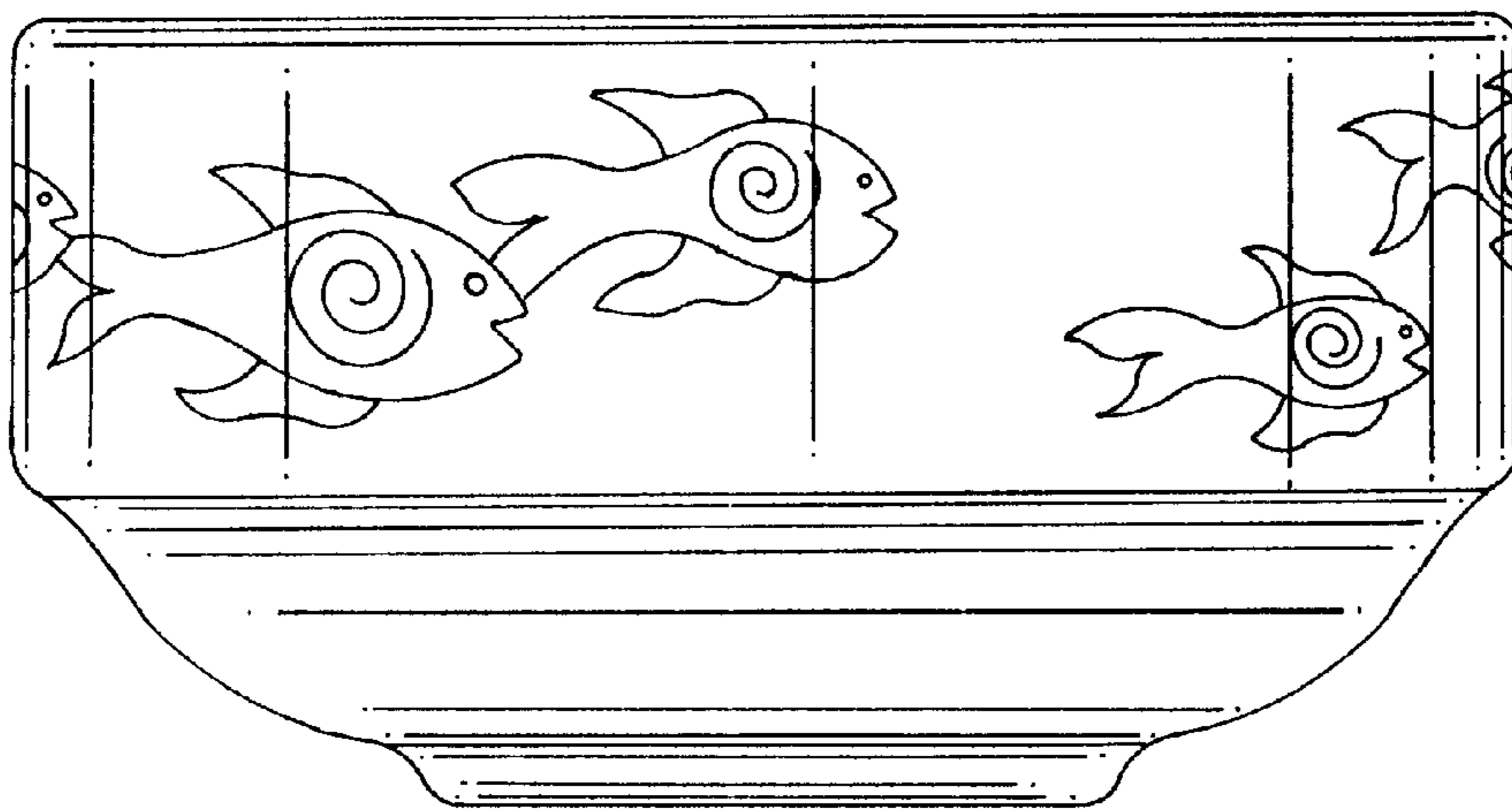


FIG. 6