



US00D422841S

United States Patent [19]
Milford et al.

[11] **Patent Number: Des. 422,841**
[45] **Date of Patent: ** Apr. 18, 2000**

[54] **BEVERAGE CONTAINER**
[75] Inventors: **Dennis R. Milford; Lisa D. Milford,**
both of Overland Park, Kans.
[73] Assignee: **Koller Enterprises, Fenton, Mo.**
[**] Term: **14 Years**
[21] Appl. No.: **29/091,240**
[22] Filed: **Jul. 24, 1998**
[51] **LOC (6) Cl. 07-01**
[52] **U.S. Cl. D7/531; D7/523**
[58] **Field of Search D7/523, 509, 531,**
D7/532, 619, 624; 229/404, 400, 515; 206/517,
519, 520; 215/229; 220/715, 713, 737,
630

2,088,181 7/1937 Swift, Jr. 229/400 X
2,963,256 12/1960 Borah .
3,079,027 2/1963 Edwards .
3,128,029 4/1964 Price et al. .
3,342,370 9/1967 Johnson .
3,484,018 12/1969 Davis .
3,934,725 1/1976 Edwards .
4,039,435 8/1977 Narva .
4,052,037 10/1977 Mair et al. .
4,061,782 12/1977 Baxter .
4,193,494 3/1980 Green .
4,231,476 11/1980 Compton et al. .
4,551,366 11/1985 Maruhashi et al. .
4,618,066 10/1986 Vail .
4,832,202 5/1989 Newman et al. .
4,854,468 8/1989 Dahlquist, II et al. .
5,088,673 2/1992 Chandler .
5,305,911 4/1994 Aylward .
5,427,269 6/1995 Willbrandt .
5,433,337 7/1995 Willbrandt .

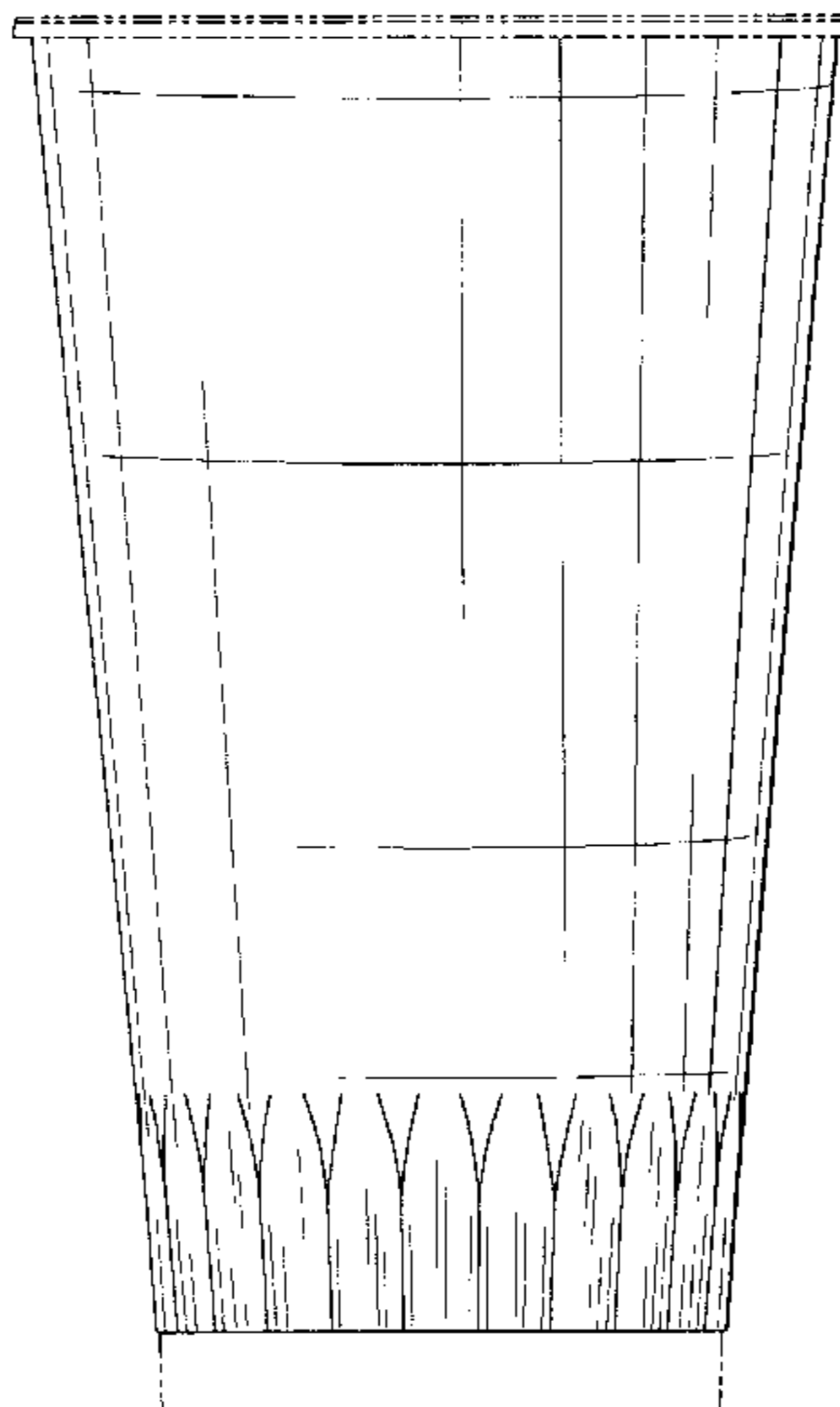
[56] **References Cited**
U.S. PATENT DOCUMENTS
D. 47,527 6/1915 Sanford .
D. 81,984 9/1930 Kirkpatrick .
D. 110,902 8/1938 Loesch .
D. 169,370 4/1953 Greenspan .
D. 198,139 5/1964 Edwards .
D. 204,783 5/1966 Johnson .
D. 212,279 9/1968 Bennett D7/523 X
D. 217,781 6/1970 Stone .
D. 239,151 3/1976 Lundin .
D. 247,601 3/1978 Schreckengost .
D. 248,916 8/1978 Reynolds et al. .
D. 258,483 3/1981 Weinsten .
D. 274,695 7/1984 Kennedy .
D. 285,032 8/1986 Alonzo .
D. 285,999 10/1986 Ludwick et al. .
D. 296,506 7/1988 Obendorfer et al. D7/523 X
D. 297,089 8/1988 West D7/523 X
D. 331,684 12/1992 Trombley .
D. 346,932 5/1994 Cautereels et al. .
D. 346,933 5/1994 Denny et al. .
D. 362,368 9/1995 Willbrandt .
D. 383,038 9/1997 Willbrandt .
604,514 5/1898 Belden .
957,267 5/1910 Sowell 229/400

OTHER PUBLICATIONS
Glassware disclosed in *Home Furnishings Daily*, Dec. 19, 1960, p. 11.
Urea-formaldehyde mug (source unknown).
Primary Examiner—M. N. Pandozzi
Attorney, Agent, or Firm—Stinson, Mag & Fizzell, P.C.

[57] **CLAIM**
The ornamental design for a beverage container, as shown and described.

DESCRIPTION
FIG. 1 is a front perspective view of the beverage container of the present invention;
FIG. 2 is a front elevational view of the beverage container of FIG. 1;
FIG. 3 is a top plan view of the beverage container of FIG. 1; and,
FIG. 4 is a bottom plan view of the beverage container of FIG. 1;
The broken lines in the drawings are for illustrative purposes only and forms no part of the claimed design.

1 Claim, 2 Drawing Sheets



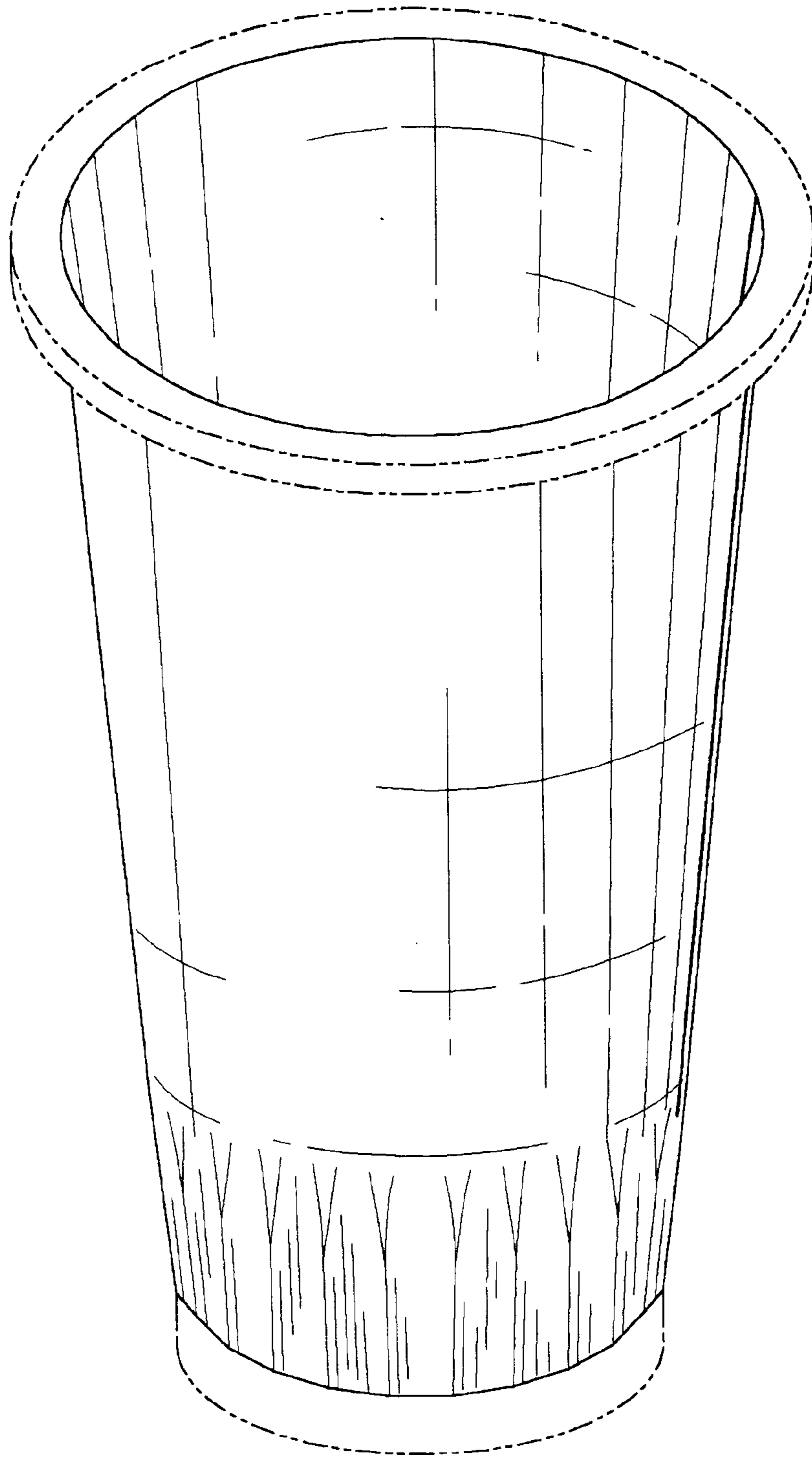


FIG. 1

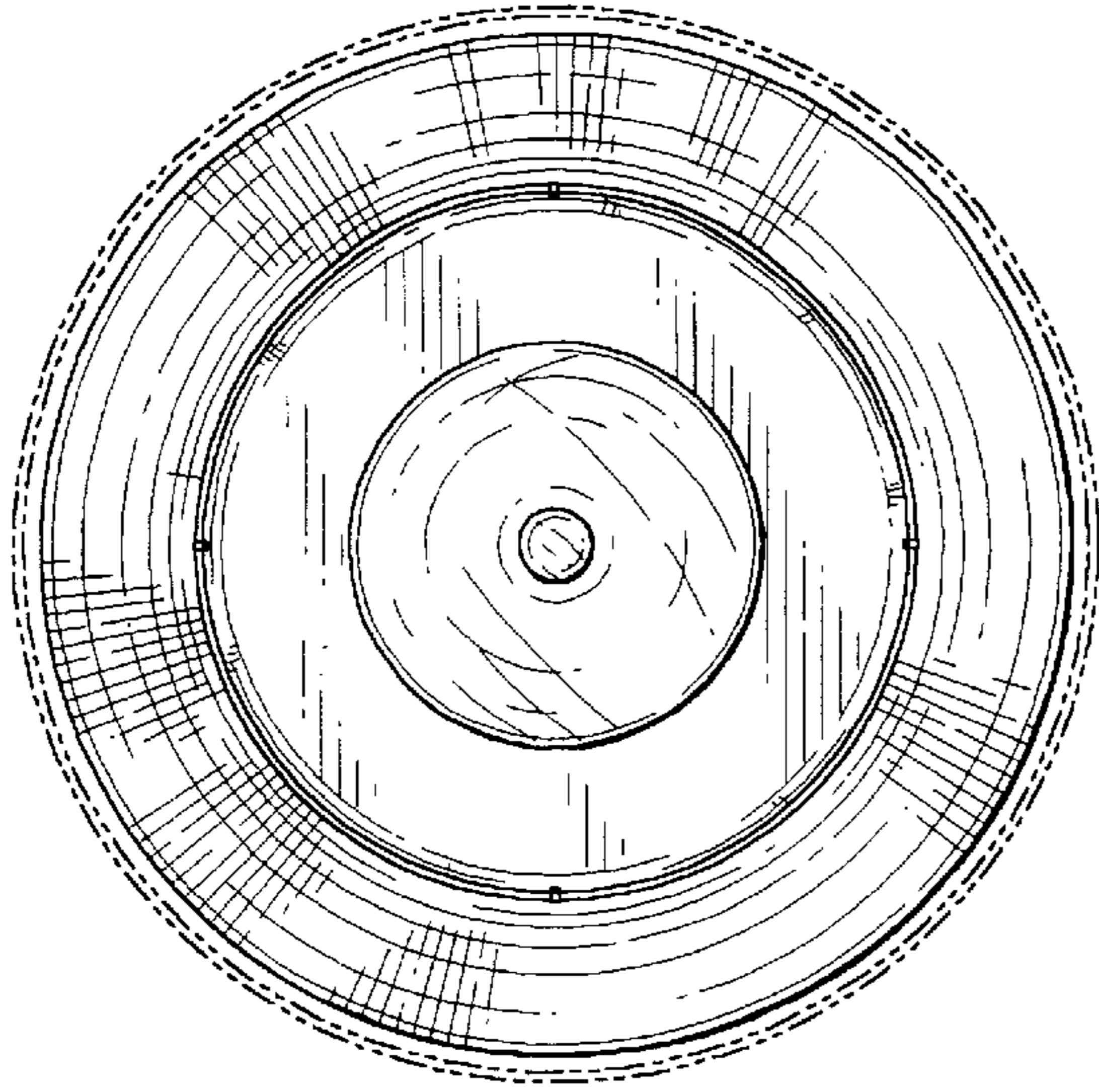


FIG. 3

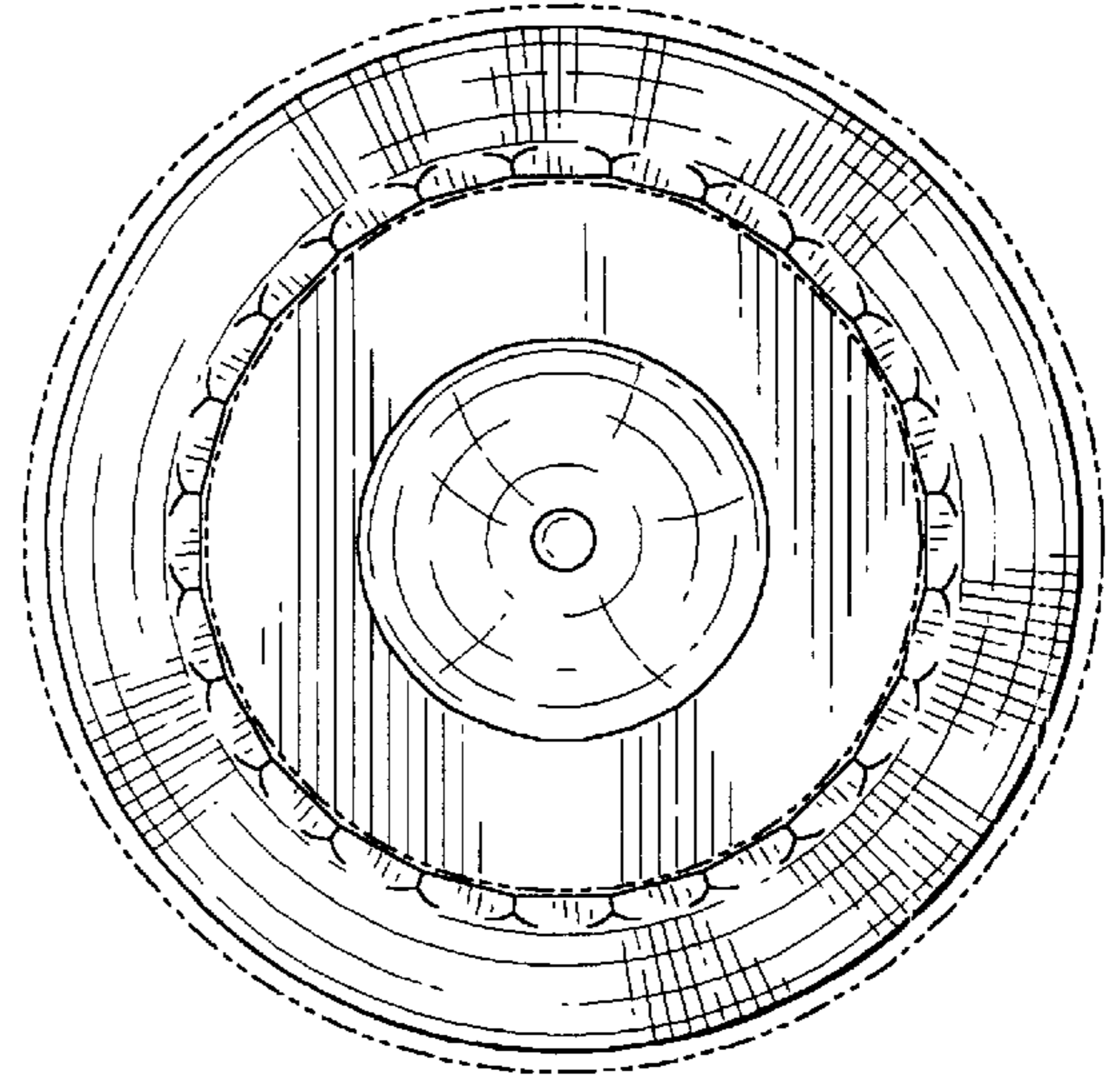


FIG. 4

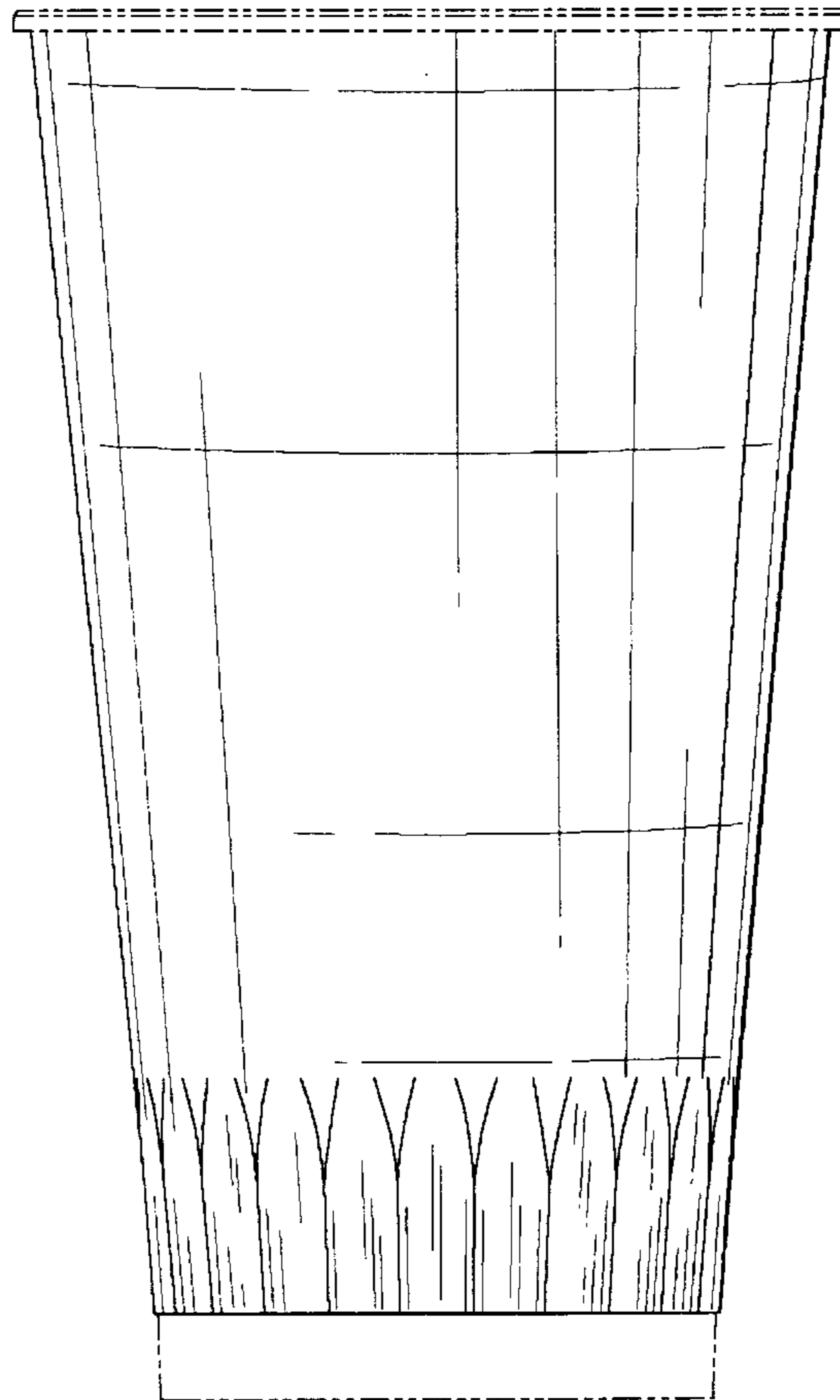


FIG. 2