



US00D422839S

United States Patent [19]
Marchand

[11] **Patent Number: Des. 422,839**

[45] **Date of Patent: ** Apr. 18, 2000**

[54] **TOP PANEL FOR A RANGE, DRYER,
WASHER OR SIMILAR APPLIANCE**

[75] Inventor: **Brian F. Marchand**, Penetanguishene,
Canada

[73] Assignee: **Gemtron Corporation**, Sweetwater,
Tenn.

[**] Term: **14 Years**

[21] Appl. No.: **29/096,974**

[22] Filed: **Nov. 24, 1998**

[51] **LOC (6) Cl.** **07-02**

[52] **U.S. Cl.** **D7/405; D32/25; D32/28**

[58] **Field of Search** D7/339-349, 402-409;
D23/415, 417-419; 219/458, 460, 464,
538, 552; 126/39 J, 39 E, 40, 39 R, 211,
214 R, 214 A, 214 C; 431/247

[56] **References Cited**

U.S. PATENT DOCUMENTS

D. 171,310	1/1954	Sandin	D32/6
D. 250,872	1/1979	Meunier	D7/124
D. 271,269	11/1983	Vetter et al.	D7/363
D. 277,448	2/1985	Vetter et al.	D7/346
D. 277,449	2/1985	Vetter et al.	D7/346
D. 290,052	5/1987	Ohsawa et al.	D32/6

D. 351,084	10/1994	Ivanovich	D7/406
D. 360,501	7/1995	Ertz et al.	D32/6
D. 360,716	7/1995	Ertz et al.	D32/8
D. 374,954	10/1996	Katz et al.	D32/6
D. 380,883	7/1997	Katz et al.	D32/25

Primary Examiner—Ruth McInroy
Attorney, Agent, or Firm—Diller, Ramik & Wight, PC

[57] **CLAIM**

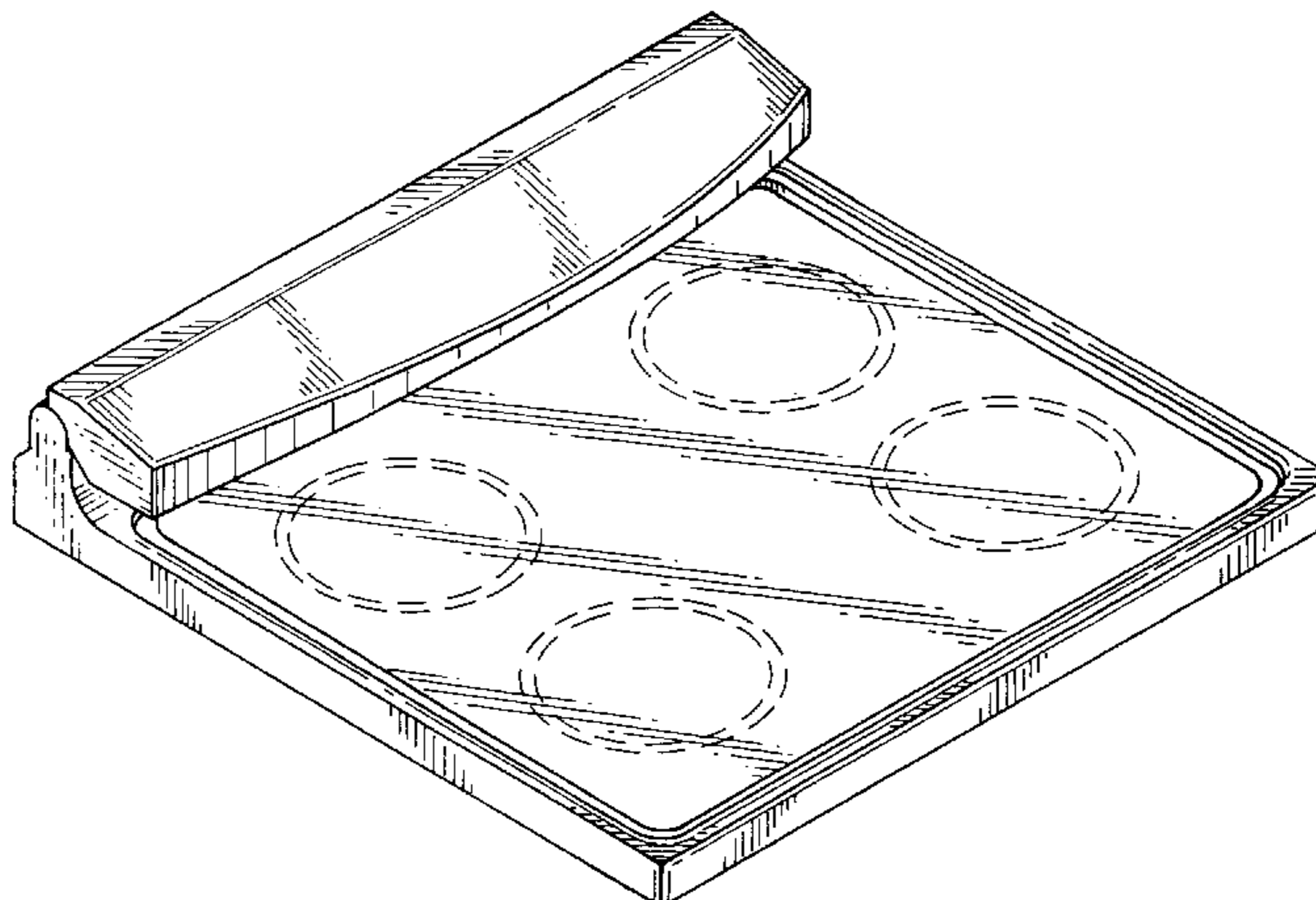
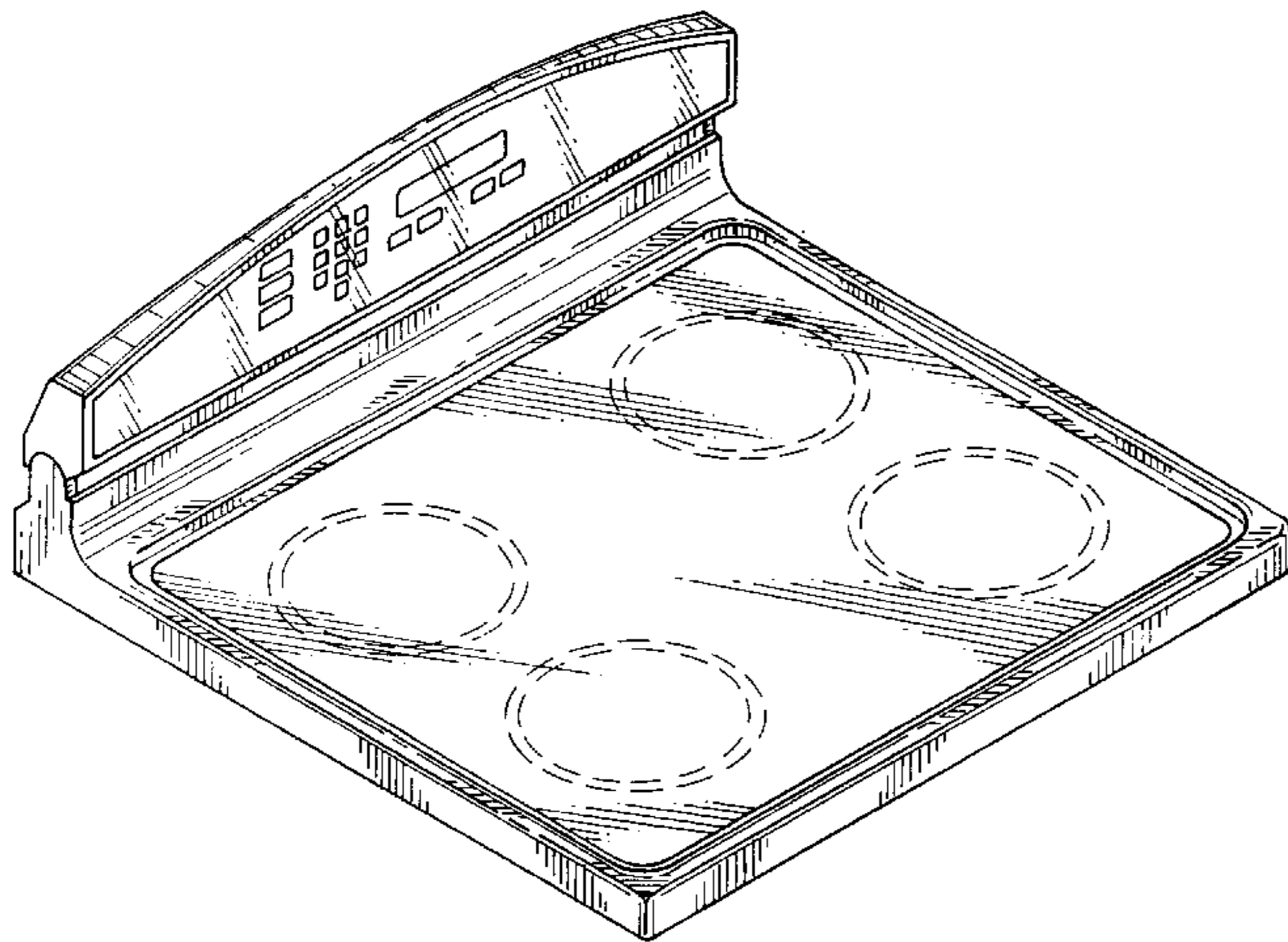
The ornamental design for top panel for a range, dryer, washer or similar appliance, as shown and described.

DESCRIPTION

FIG. 1 is a top perspective view of a top panel for a range, dryer, washer or similar appliance showing my new design; FIG. 2 is a top plan view thereof; FIG. 3 is a side elevational view thereof; FIG. 4 is a front elevational view thereof; FIG. 5 is a rear elevational view thereof; FIG. 6 is a top perspective view thereof and illustrates the console in its lowermost position for purposes of packaging, shipment, repair and cleaning; and, FIG. 7 is a side elevational view thereof.

The details shown in broken lines in FIGS. 1, 2 and 6 are for illustrative purposes only and form no part of the claimed design.

1 Claim, 4 Drawing Sheets



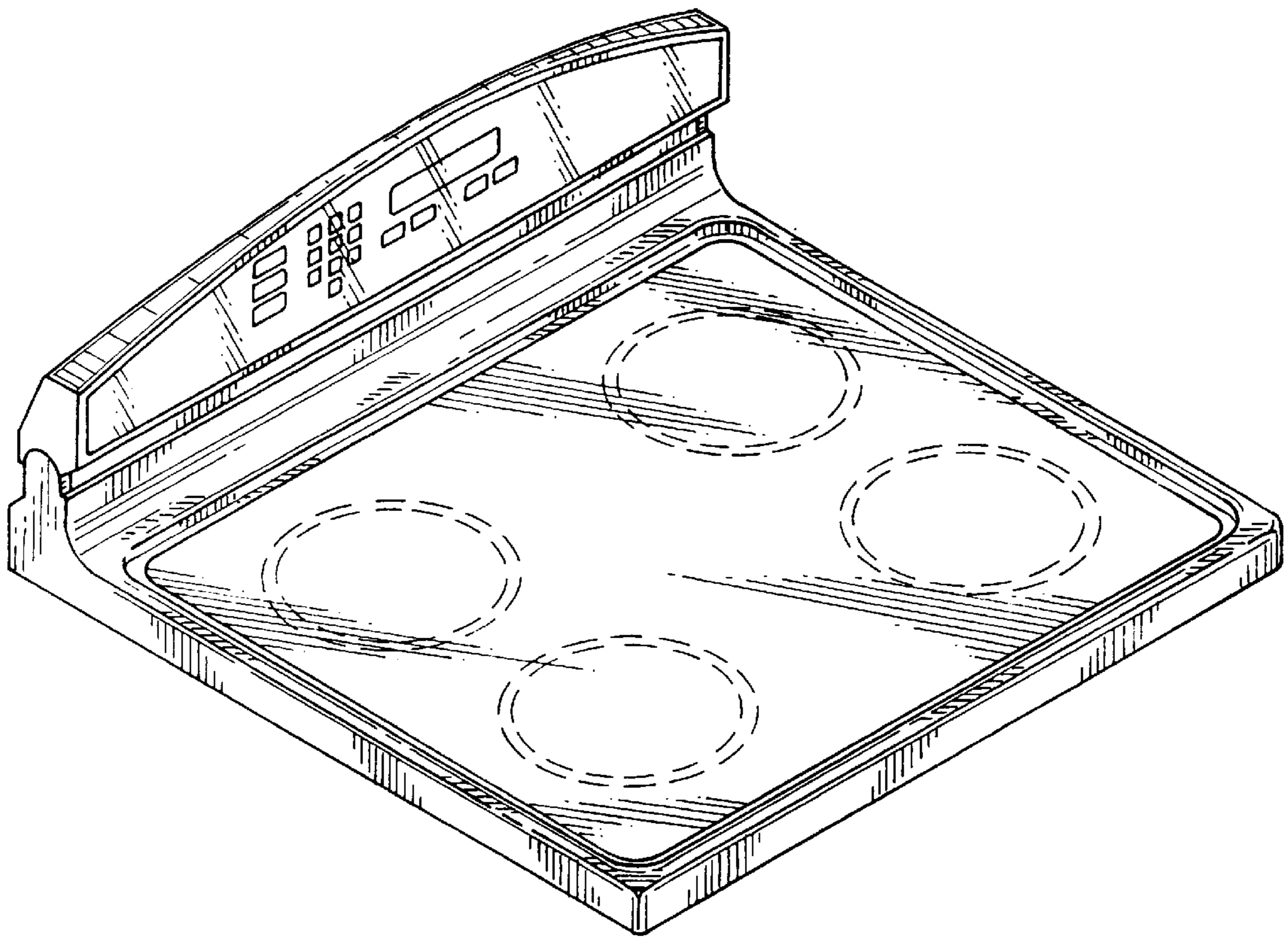


FIG. 1

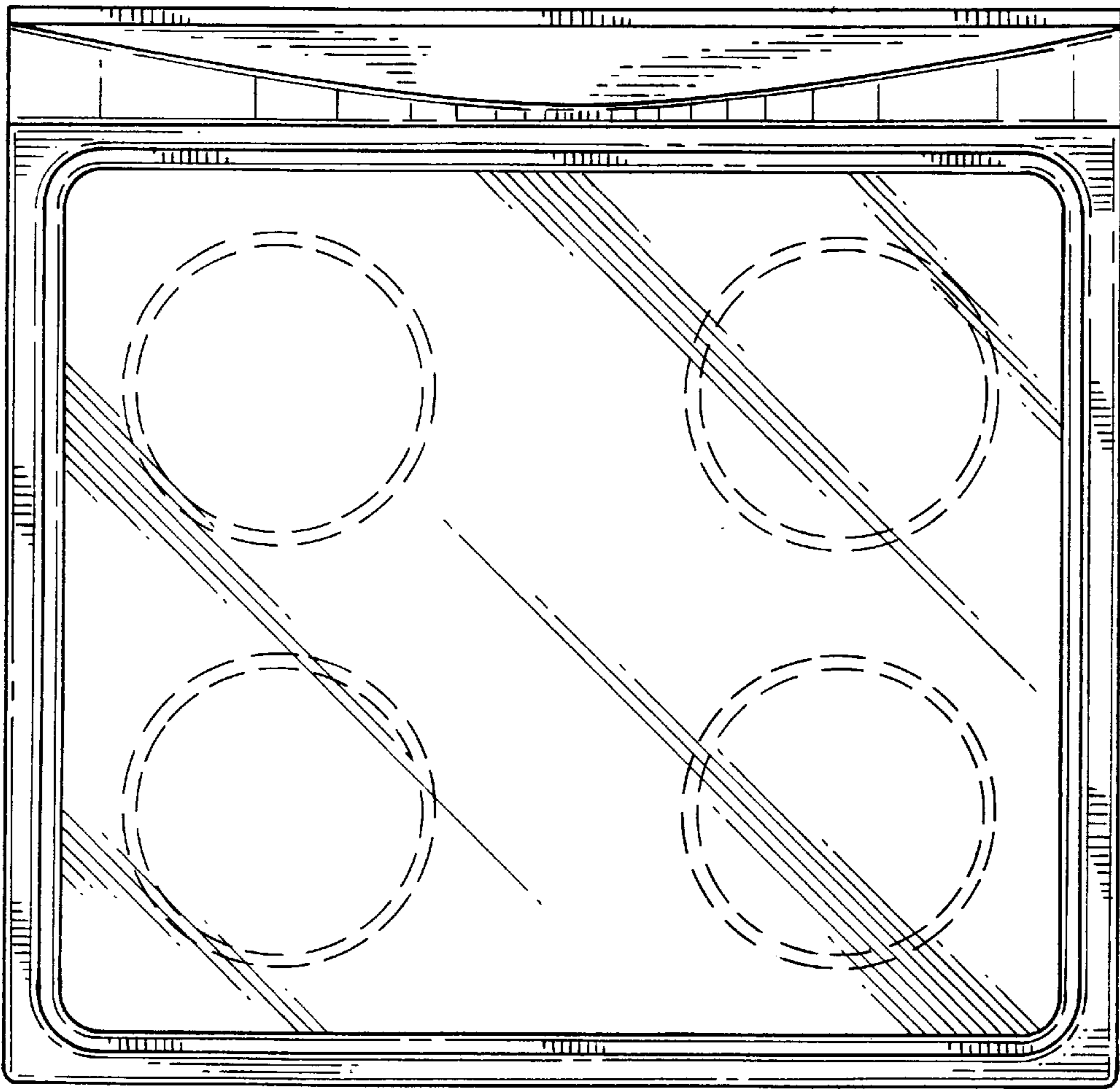


FIG. 2

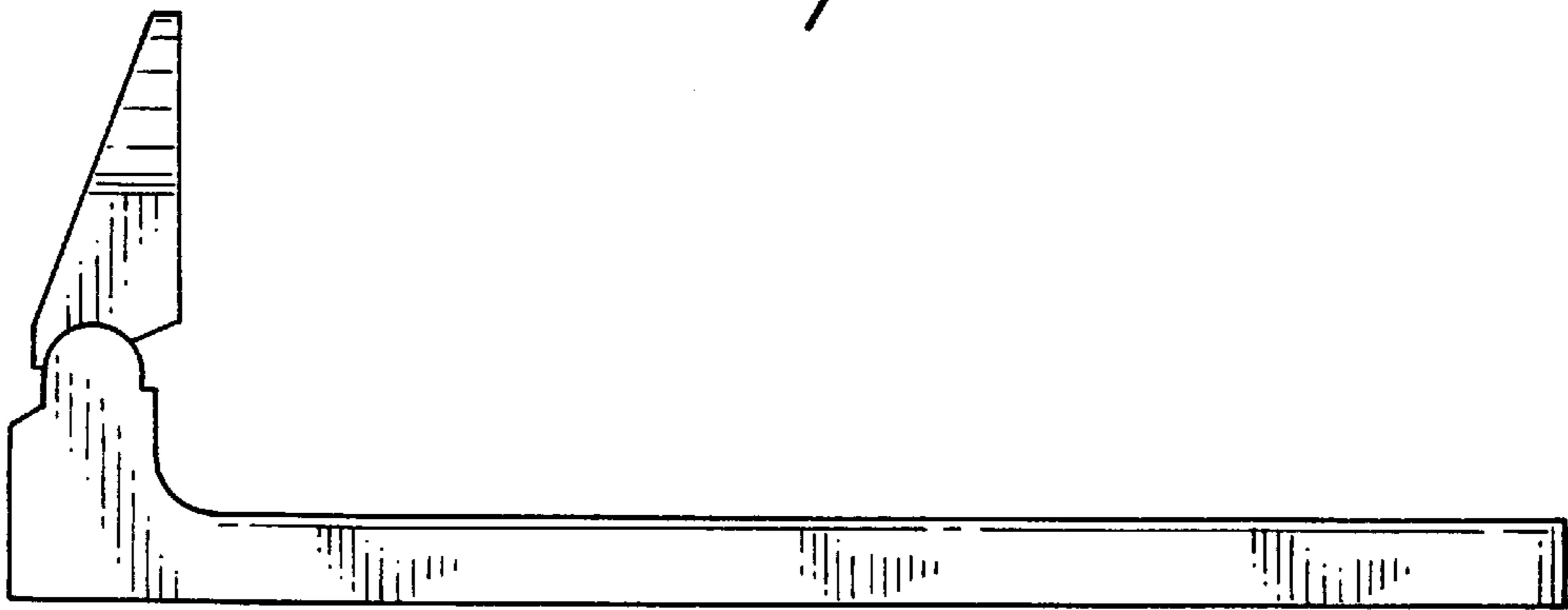


FIG. 3

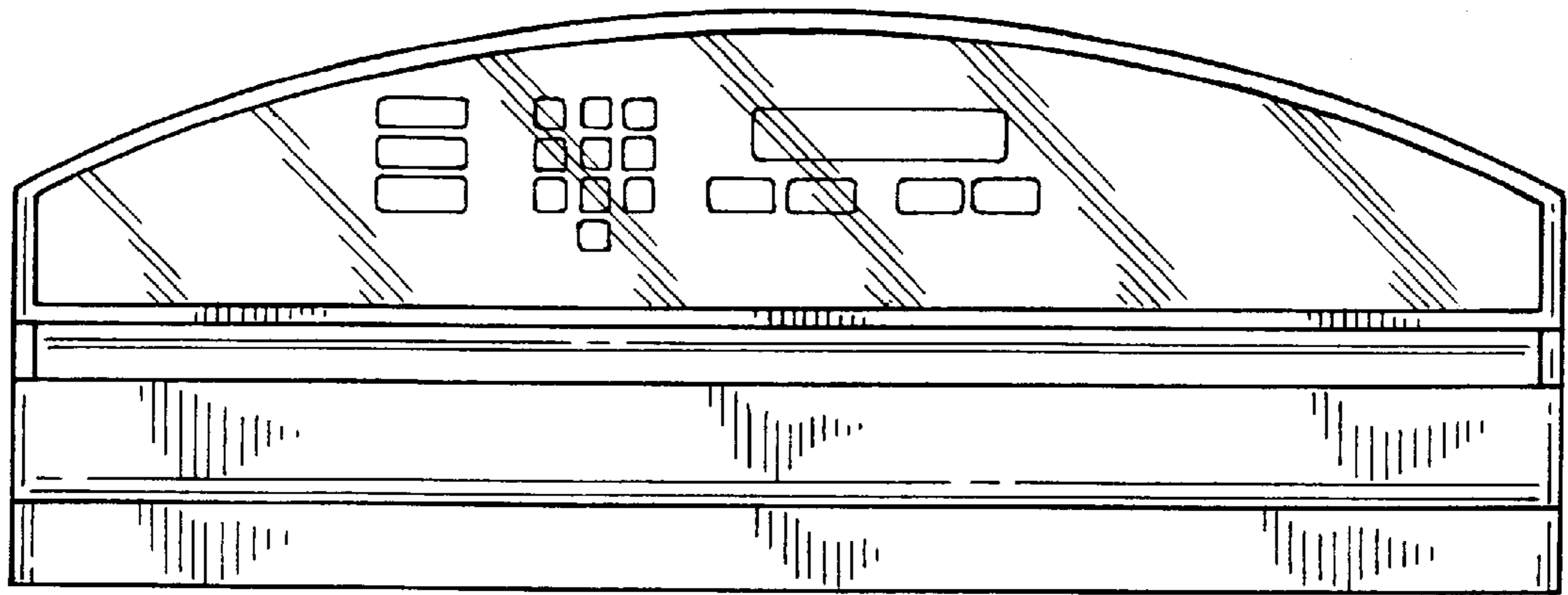


FIG. 4

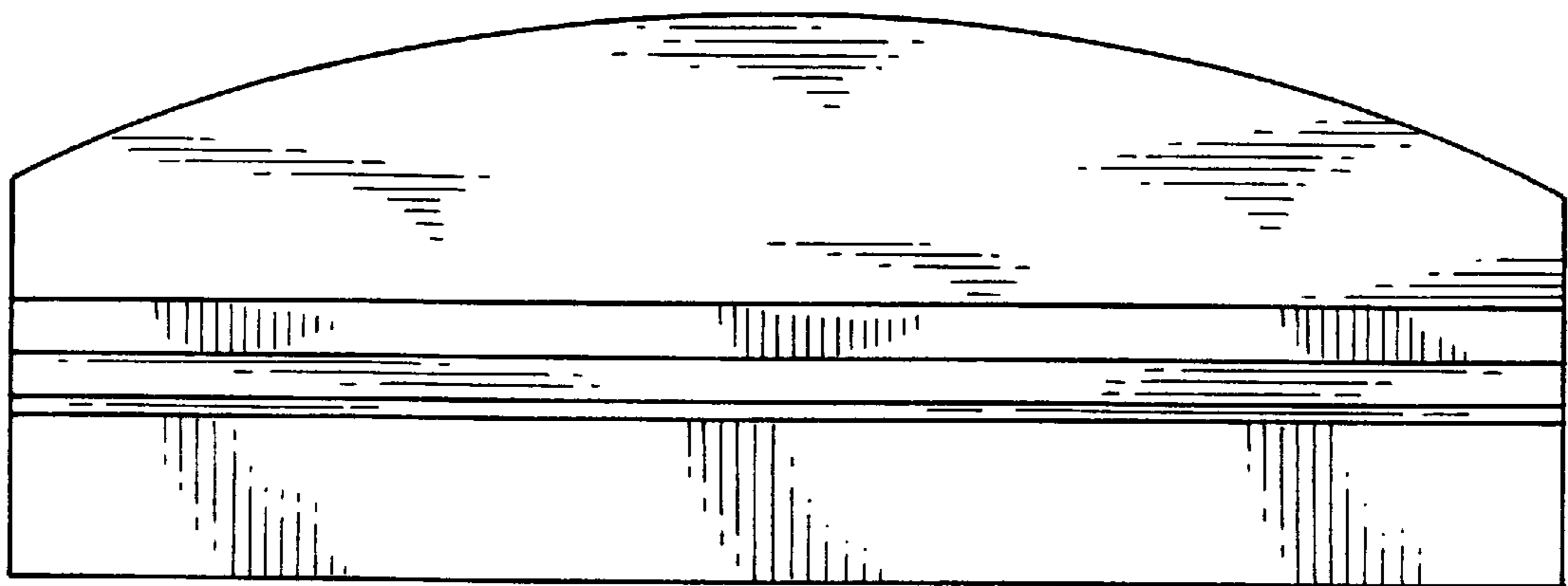


FIG. 5

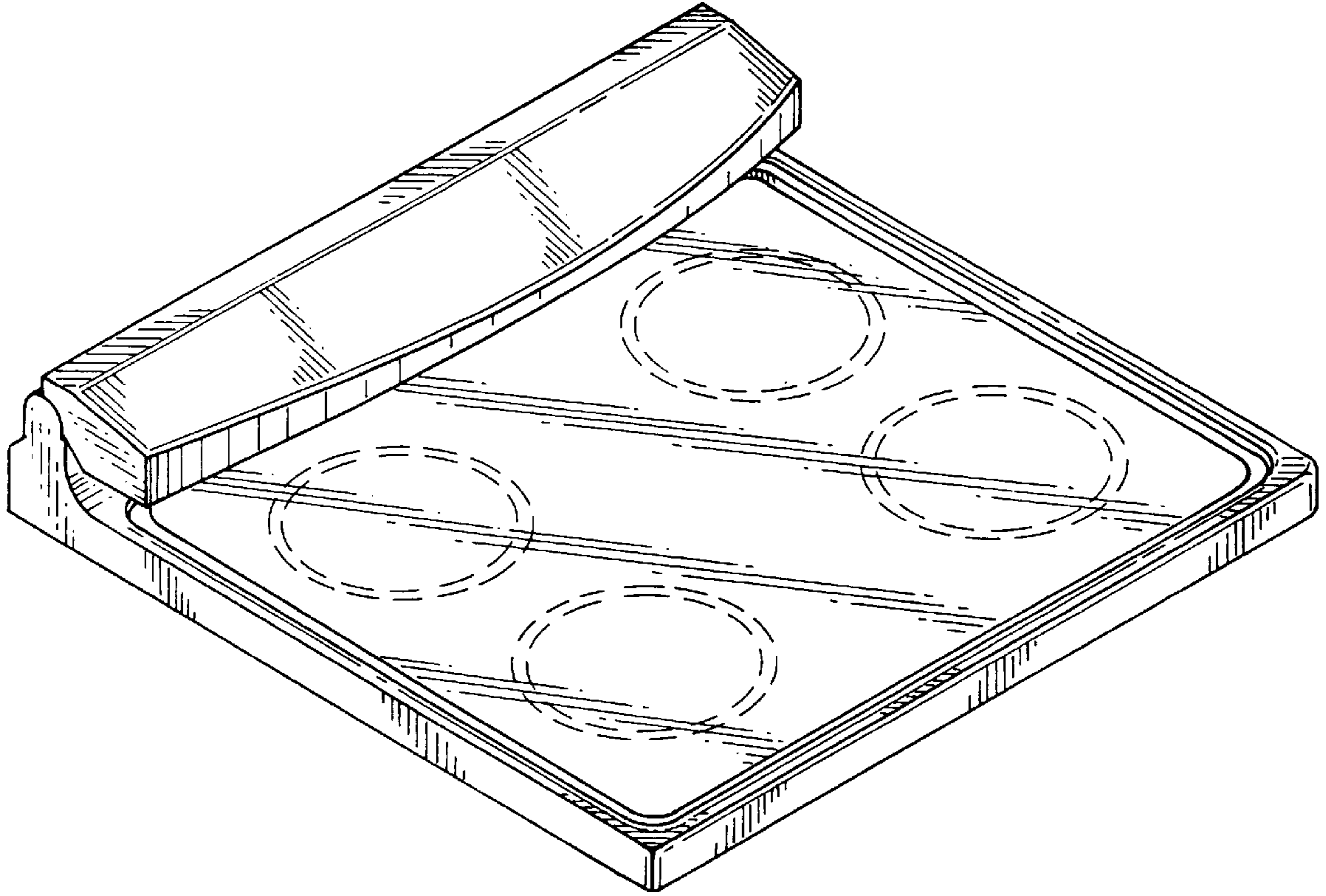


FIG. 6



FIG. 7