



US00D422837S

# United States Patent [19]

Yamagiwa et al.

[11] Patent Number: Des. 422,837

[45] Date of Patent: \*\* Apr. 18, 2000

[54] **COOKING ROASTER**

[75] Inventors: **Kazuhiko Yamagiwa; Masanori Hamada**, both of Osaka, Japan

[73] Assignee: **Matsushita Electric Industrial Co., Ltd.**, Japan

[\*\*] Term: **14 Years**

[21] Appl. No.: **29/096,398**

[22] Filed: **Nov. 12, 1998**

[30] **Foreign Application Priority Data**

May 18, 1998 [JP] Japan ..... 10-14087

[51] **LOC (6) Cl.** ..... **07-02**

[52] **U.S. Cl.** ..... **D7/364**

[58] **Field of Search** ..... D7/362-367, 352, D7/355-357, 359, 402, 409, 323, 326, 331; 99/422-424, 444-445, 446, 450, 426; 219/429, 443, 458.1, 443.1, 450.1, 451.1; 126/390

[56] **References Cited**

**U.S. PATENT DOCUMENTS**

- D. 90,947 10/1933 Guild .
- D. 93,901 11/1934 Von Nessen .
- D. 97,530 11/1935 Knapp .
- D. 205,820 9/1966 Ryan .
- D. 272,978 3/1984 Gremponrez et al. .... D7/357
- D. 290,083 6/1987 Dricken et al. .... D7/357
- D. 335,240 5/1993 Critchfield et al. .... D7/364
- 4,145,603 3/1979 Mackay et al. .... 219/387

**OTHER PUBLICATIONS**

Matsushita's cooking roaster model NF-HY70, Nov. 1, 1997.

Sanyo's cooking roaster model HPS-KS7, Sep. 1997.

Sharp's cooking roaster model KX-R1-T, Nov. 1997.

*Primary Examiner*—Ruth McInroy

*Attorney, Agent, or Firm*—Saidman DesignLaw Group

[57] **CLAIM**

The ornamental design for a cooking roaster, as shown and described.

**DESCRIPTION**

FIG. 1 is a top, front and right side perspective view of a cooking roaster showing our new design;

FIG. 2 is a front view thereof;

FIG. 3 is a rear view thereof;

FIG. 4 is a top plan view thereof;

FIG. 5 is a right side view thereof;

FIG. 6 is a left side view thereof;

FIG. 7 is a bottom view thereof;

FIG. 8 is a perspective view thereof showing the lid taken off at the condition of using the roast plate and the flat plate;

FIG. 9 is a perspective view thereof showing the lid taken off at the condition of using the flat plate and the flat plate;

FIG. 10 is a perspective view thereof in a folded condition for putting away;

FIG. 11 is a front view thereof in a folded condition for putting away;

FIG. 12 is a rear view thereof in a folded condition for putting away;

FIG. 13 is a top plan view thereof in a folded condition for putting away;

FIG. 14 is a bottom view thereof in a folded condition for putting away;

FIG. 15 is a right side view thereof in a folded condition for putting away;

FIG. 16 is a left side view thereof in a folded condition for putting away;

FIG. 17 is a perspective view thereof with the left lid removed; and,

FIG. 18 is a perspective view thereof in a folded condition for putting away with the handle raised.

FIGS. 1-7 show the claimed design in an open position while FIGS. 10-18 show it in a folded position. FIGS. 8, 9 and 17 show portions removed for clarity of illustration.

**1 Claim, 12 Drawing Sheets**

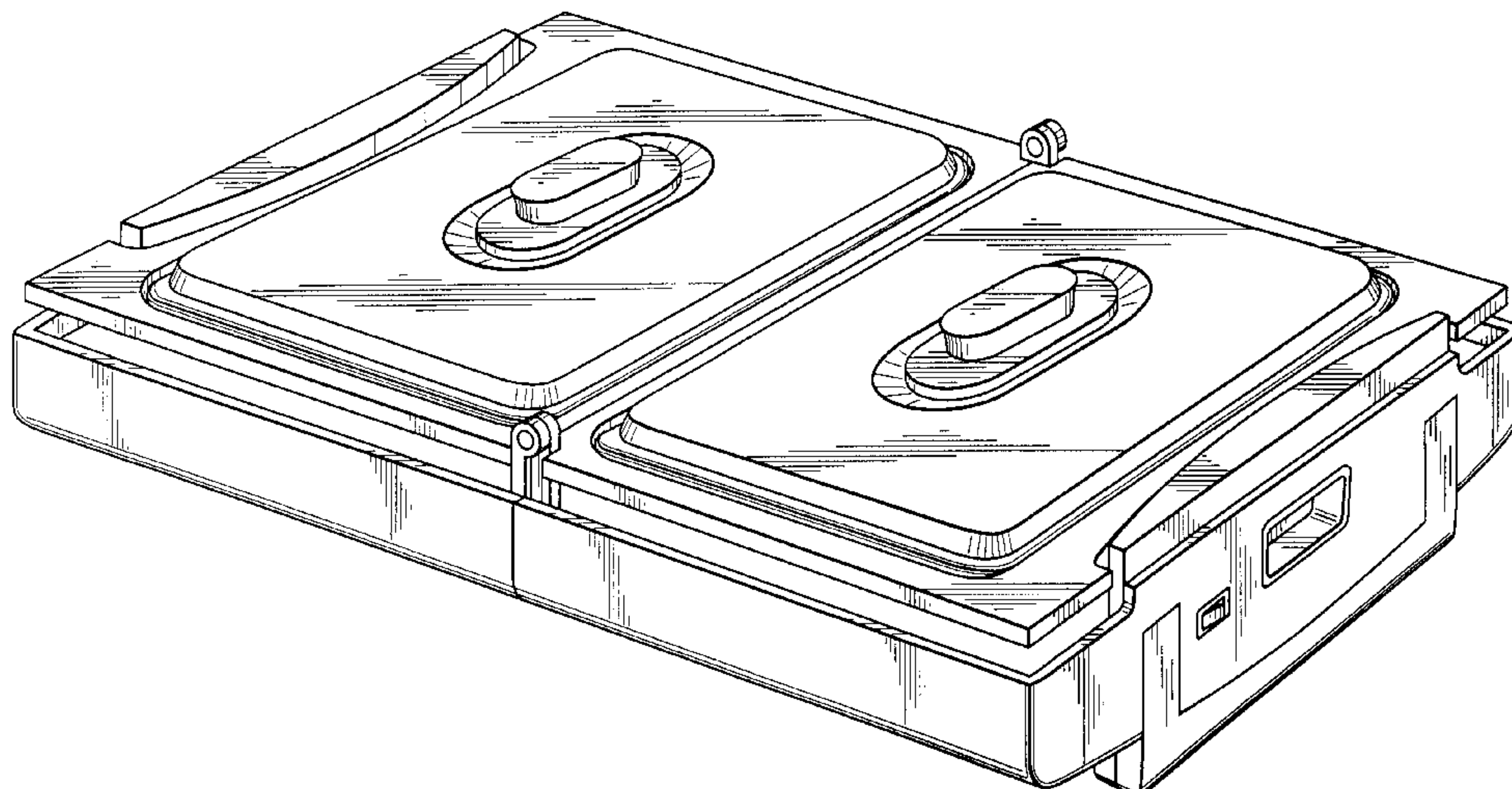


FIG. 1

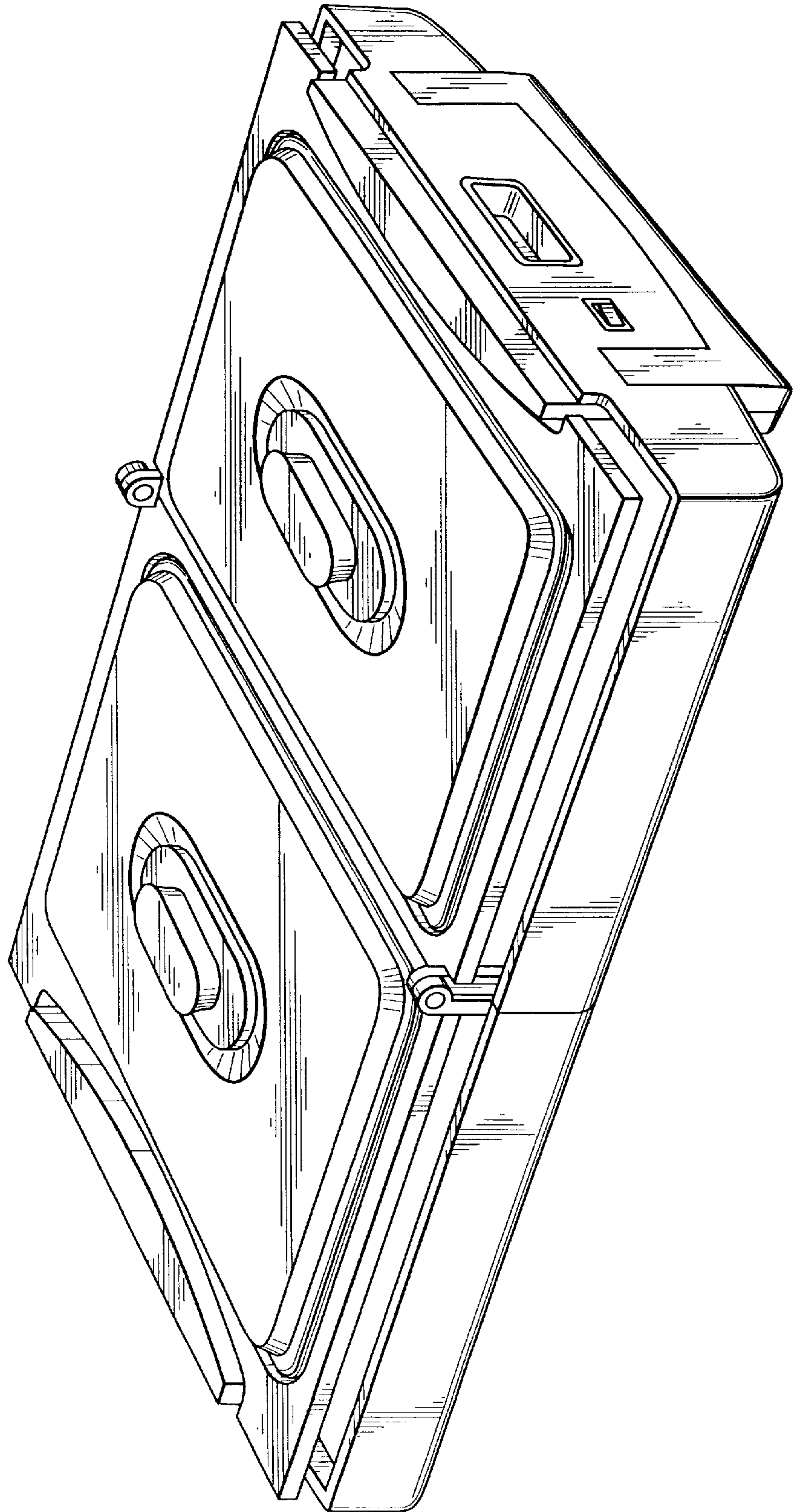


FIG. 2

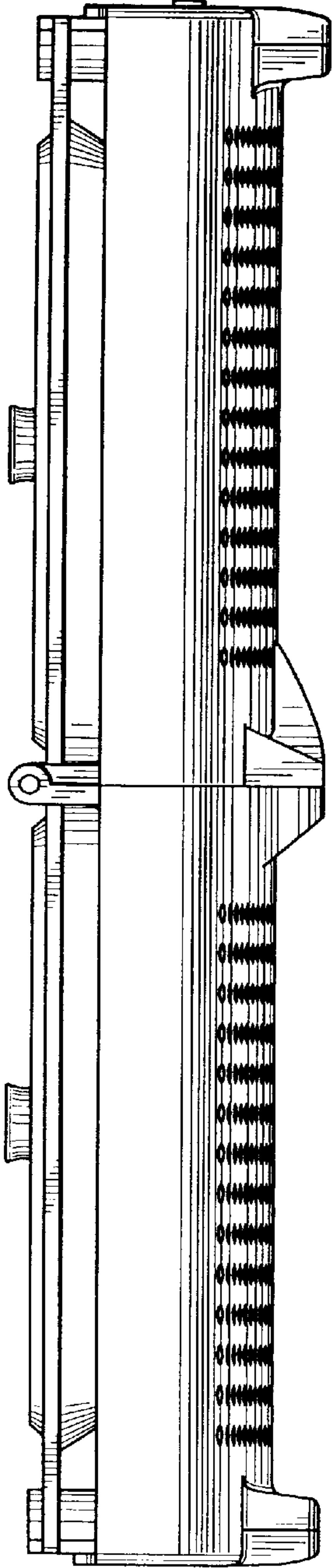


FIG. 3

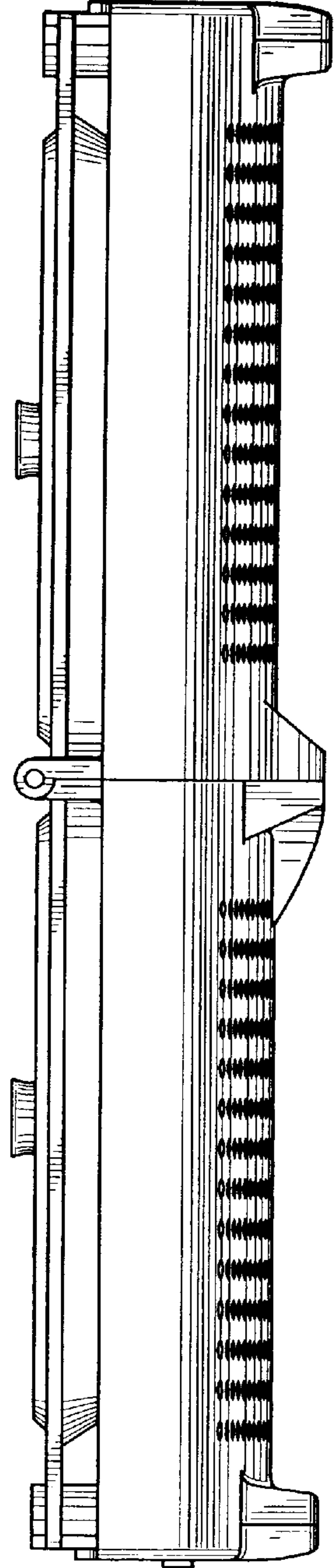
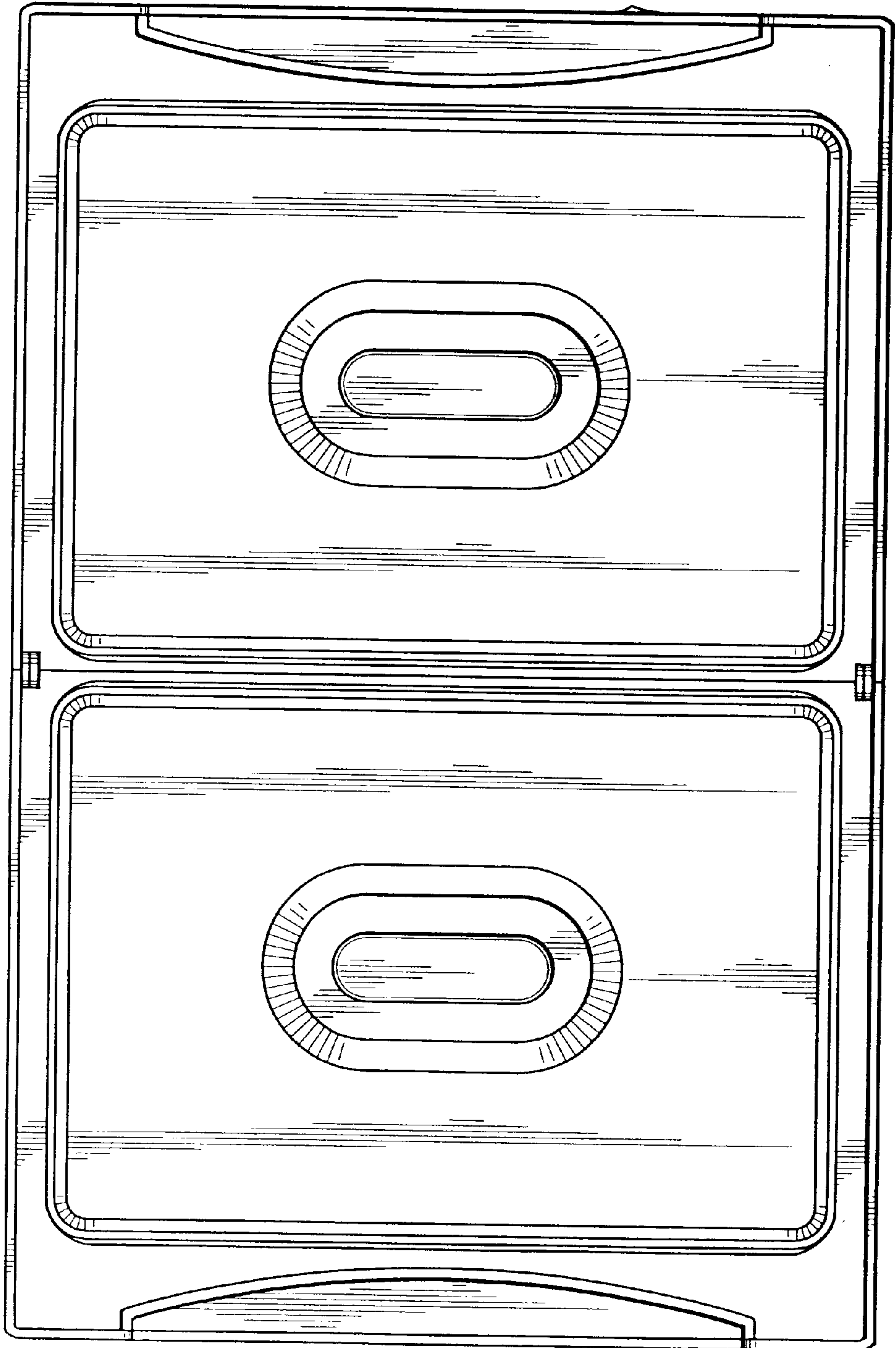
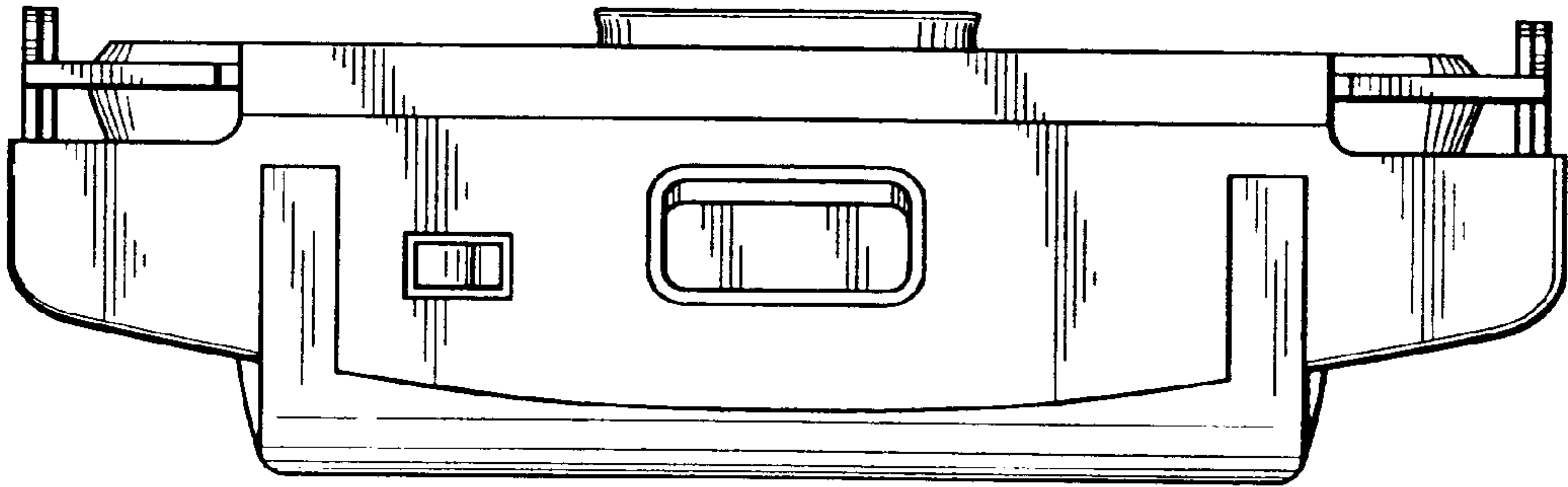




FIG. 4



*FIG. 5*



*FIG. 6*

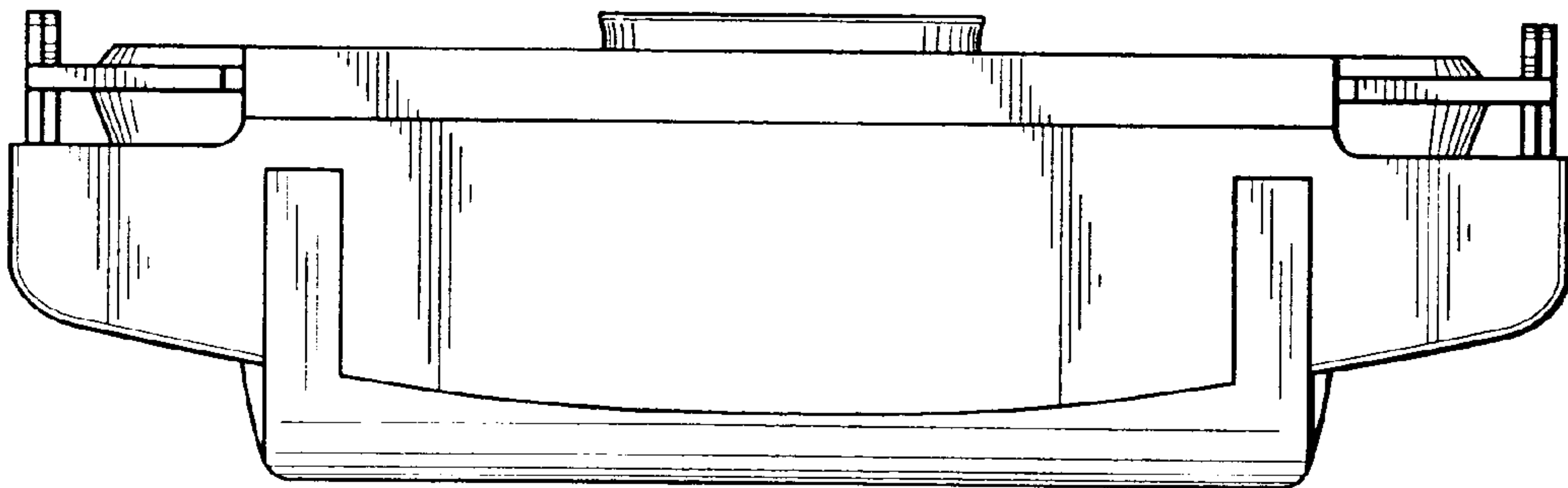


FIG. 7

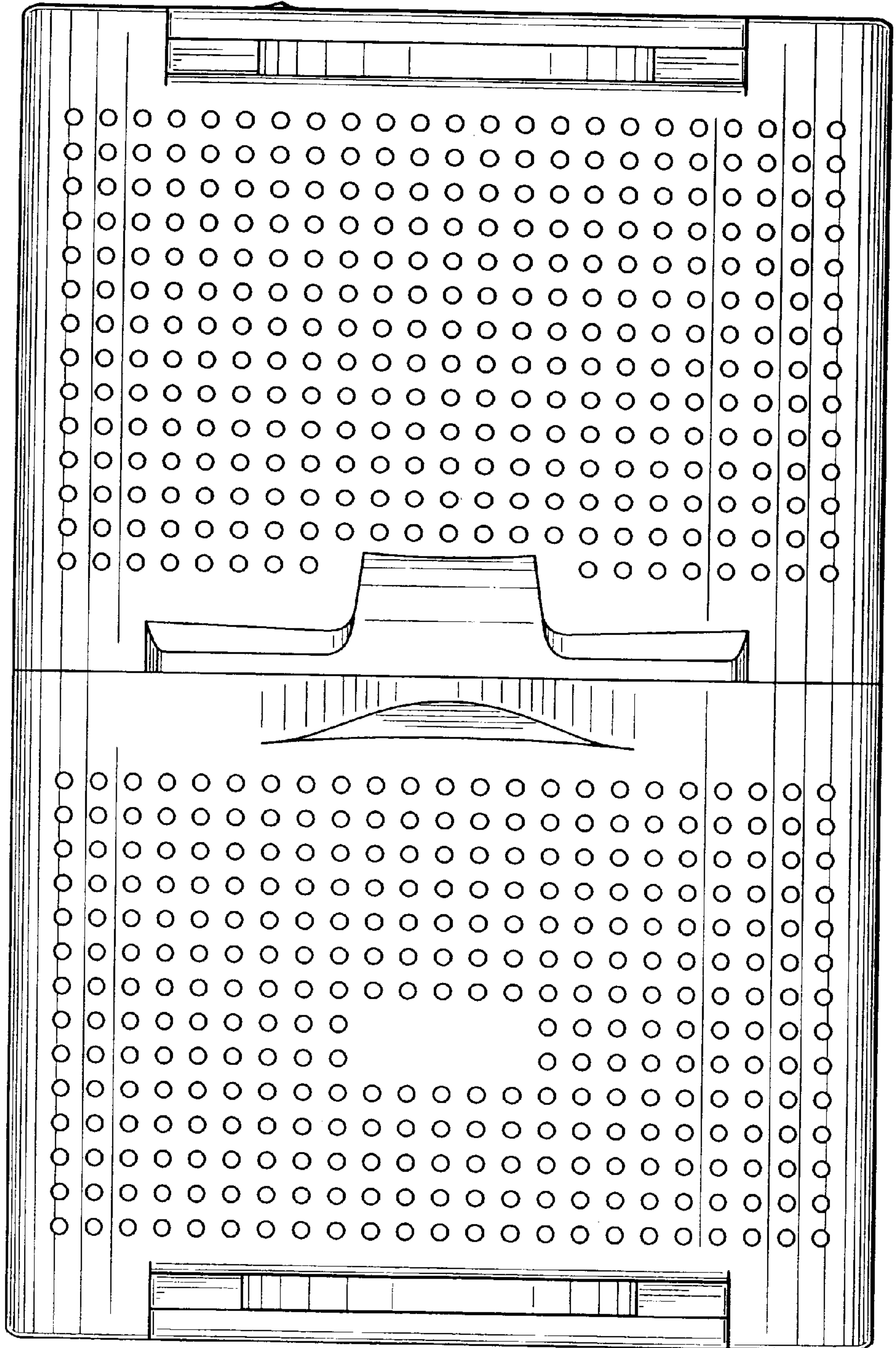


FIG. 8

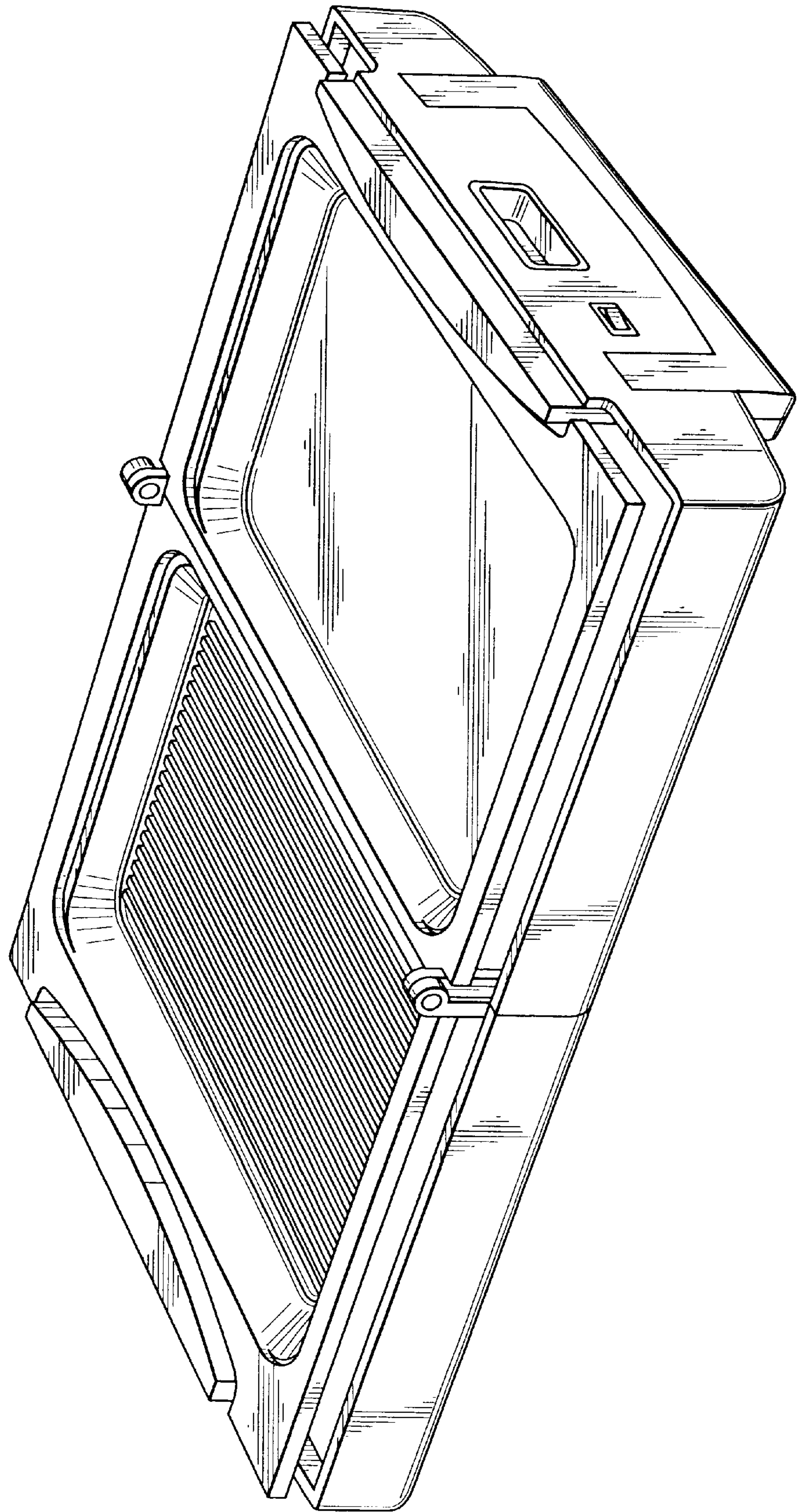
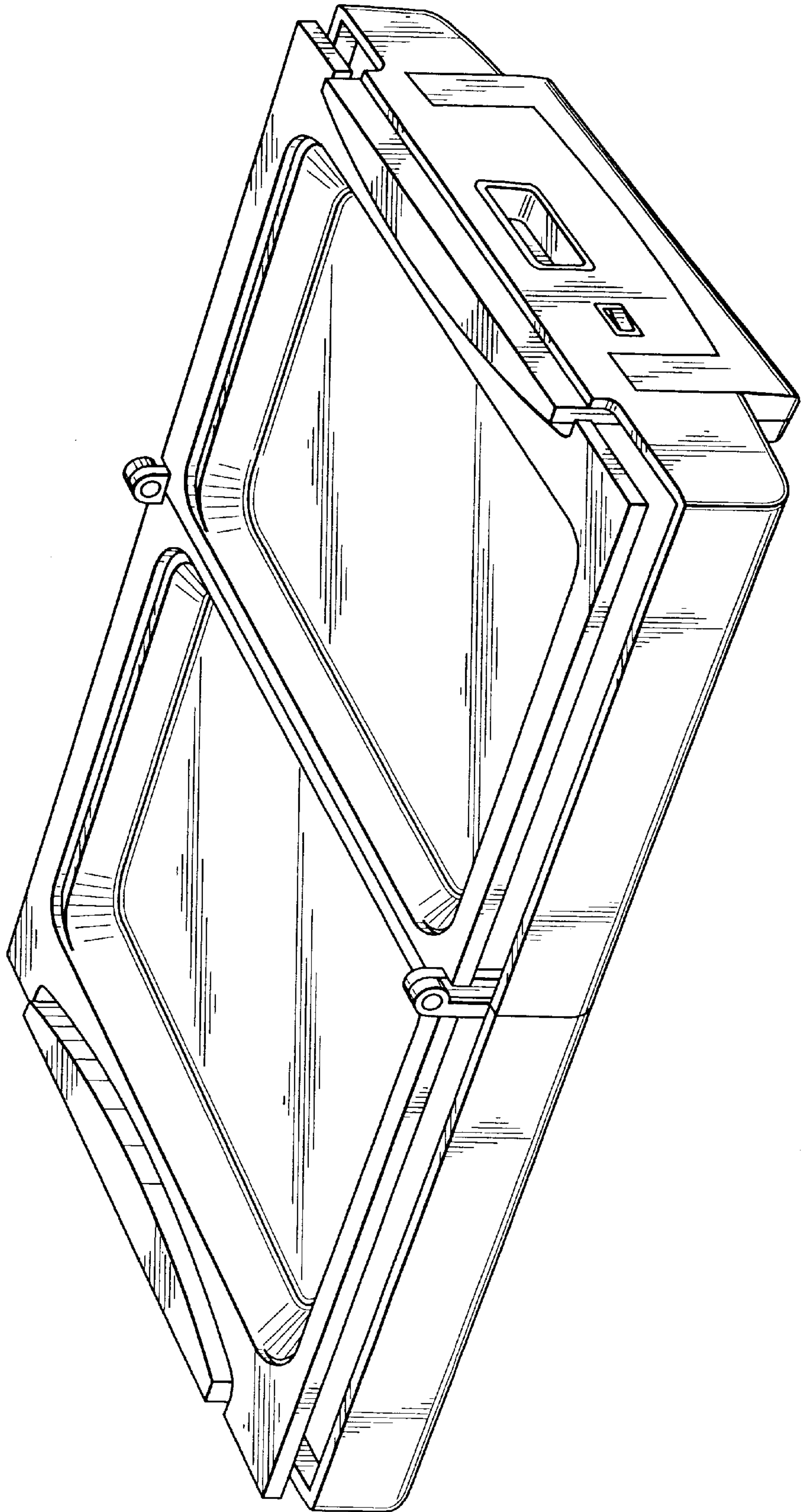


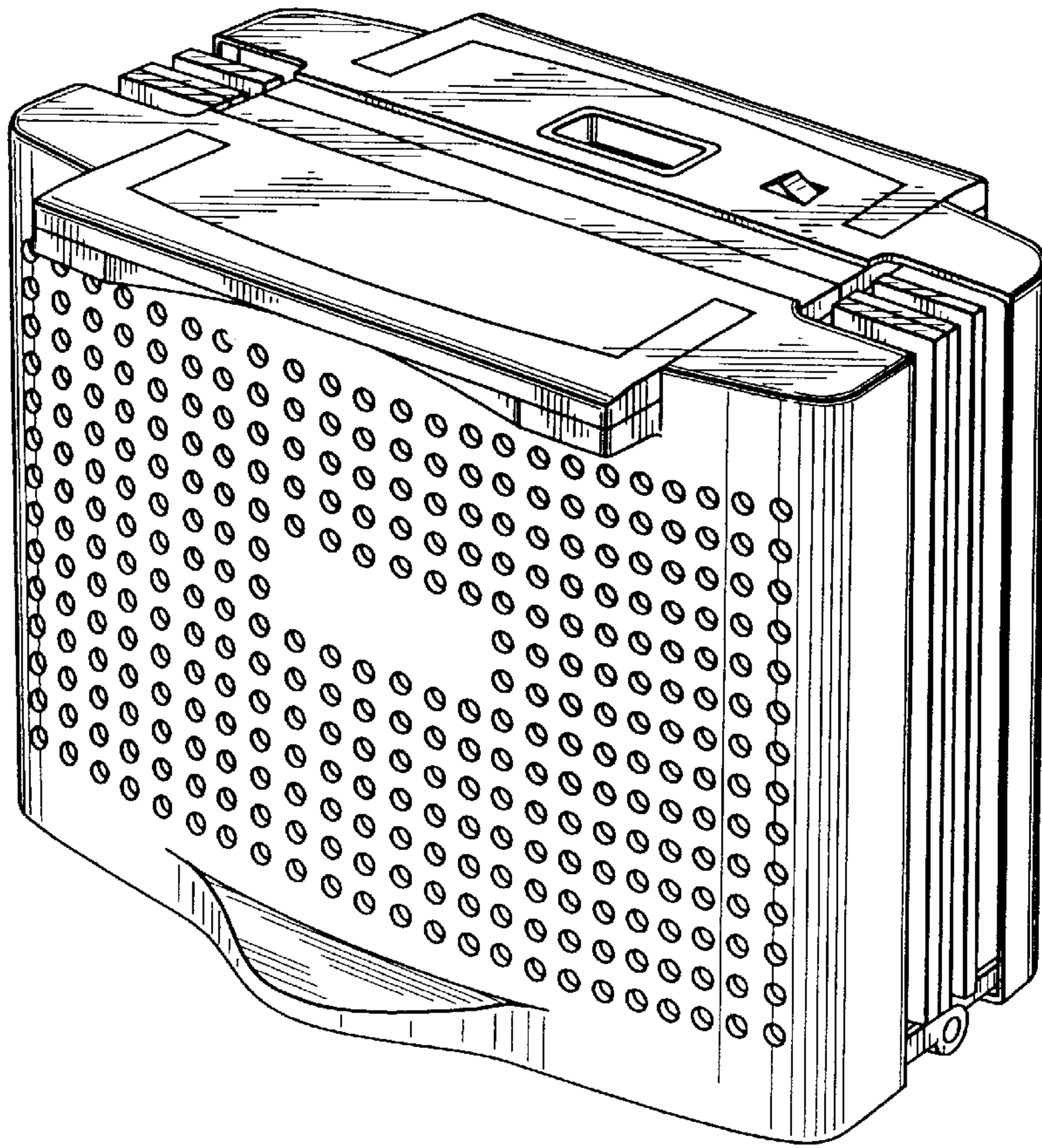


FIG. 9

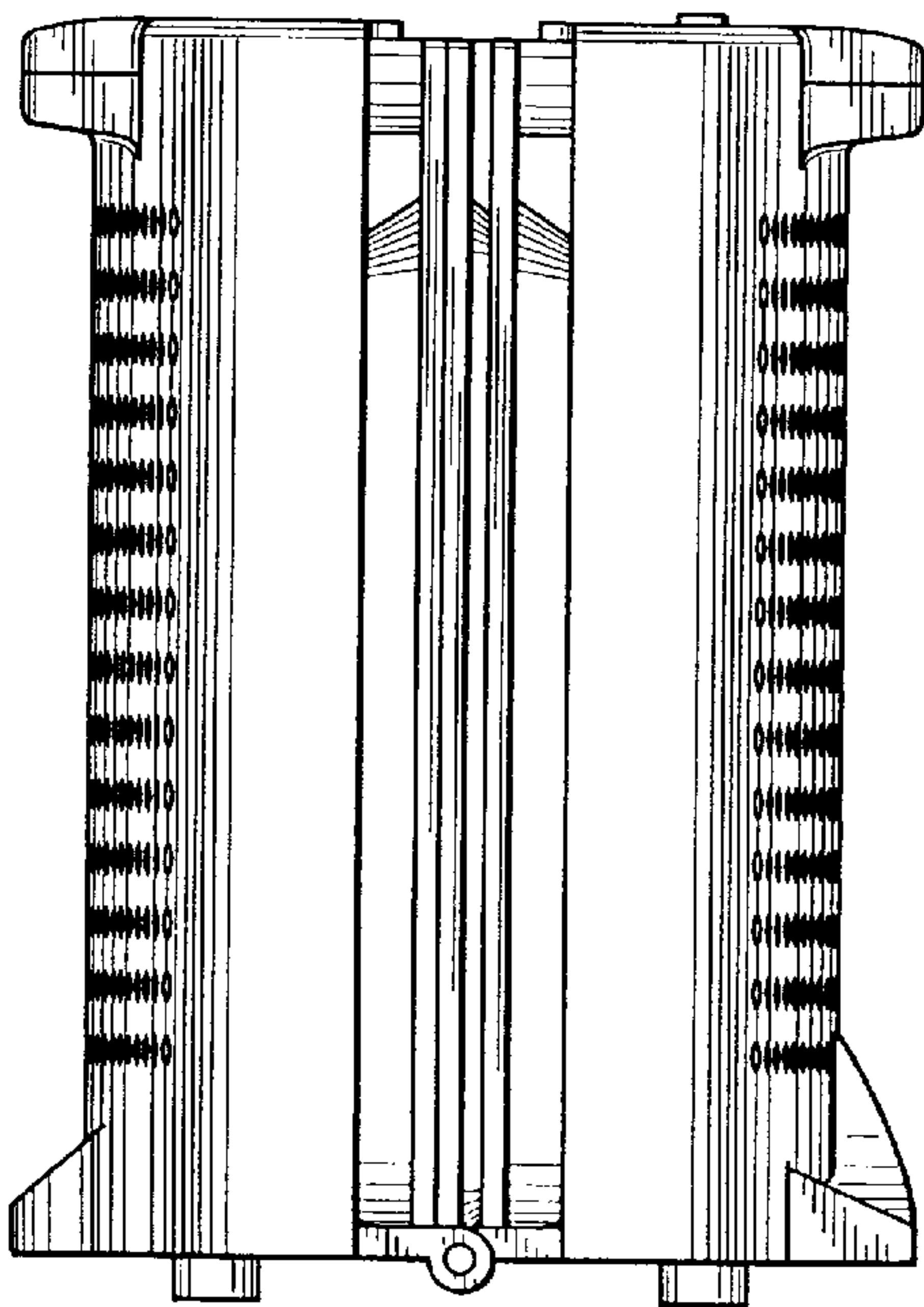




*FIG. 10*



*FIG. 11*



*FIG. 12*

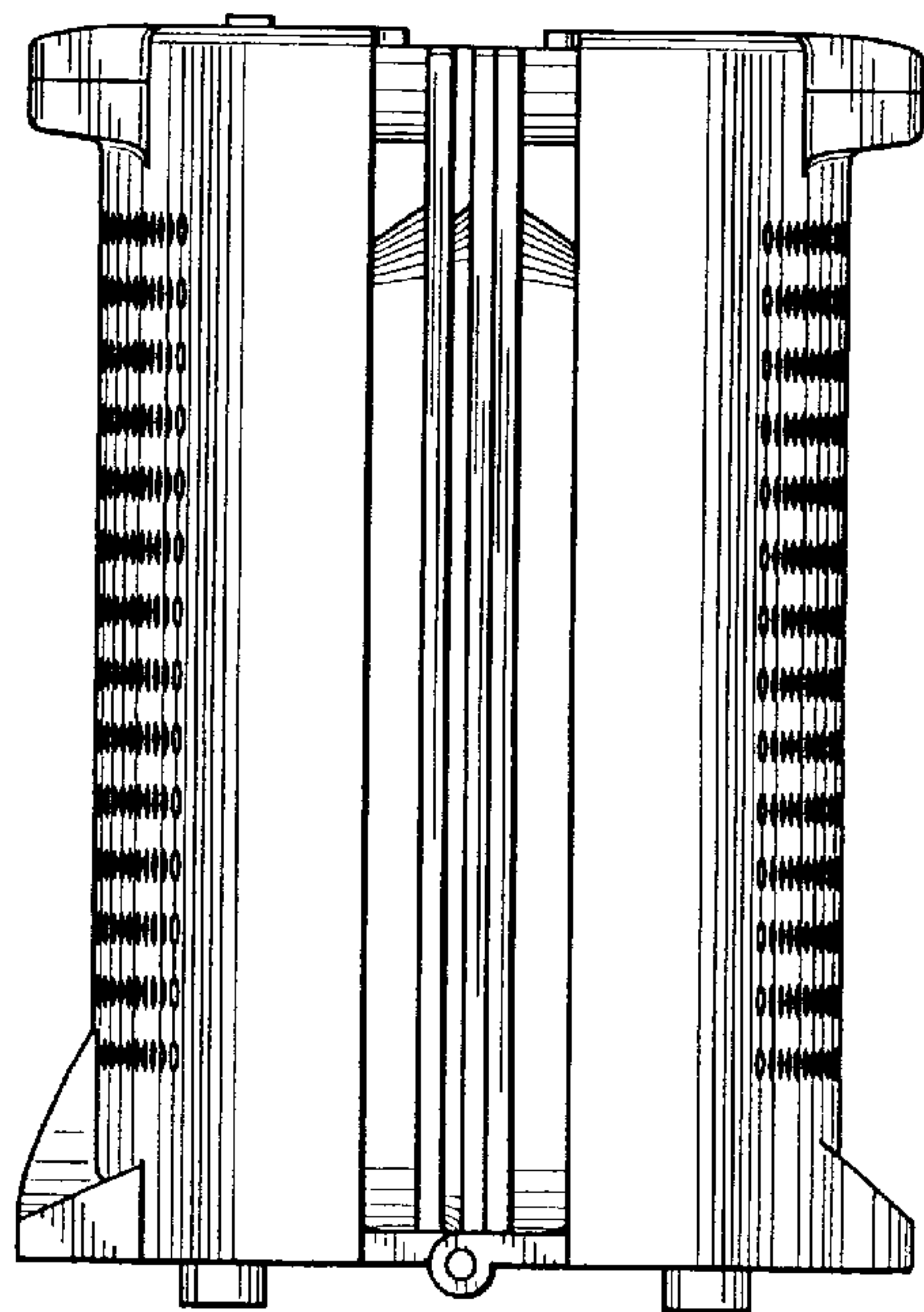


FIG. 14

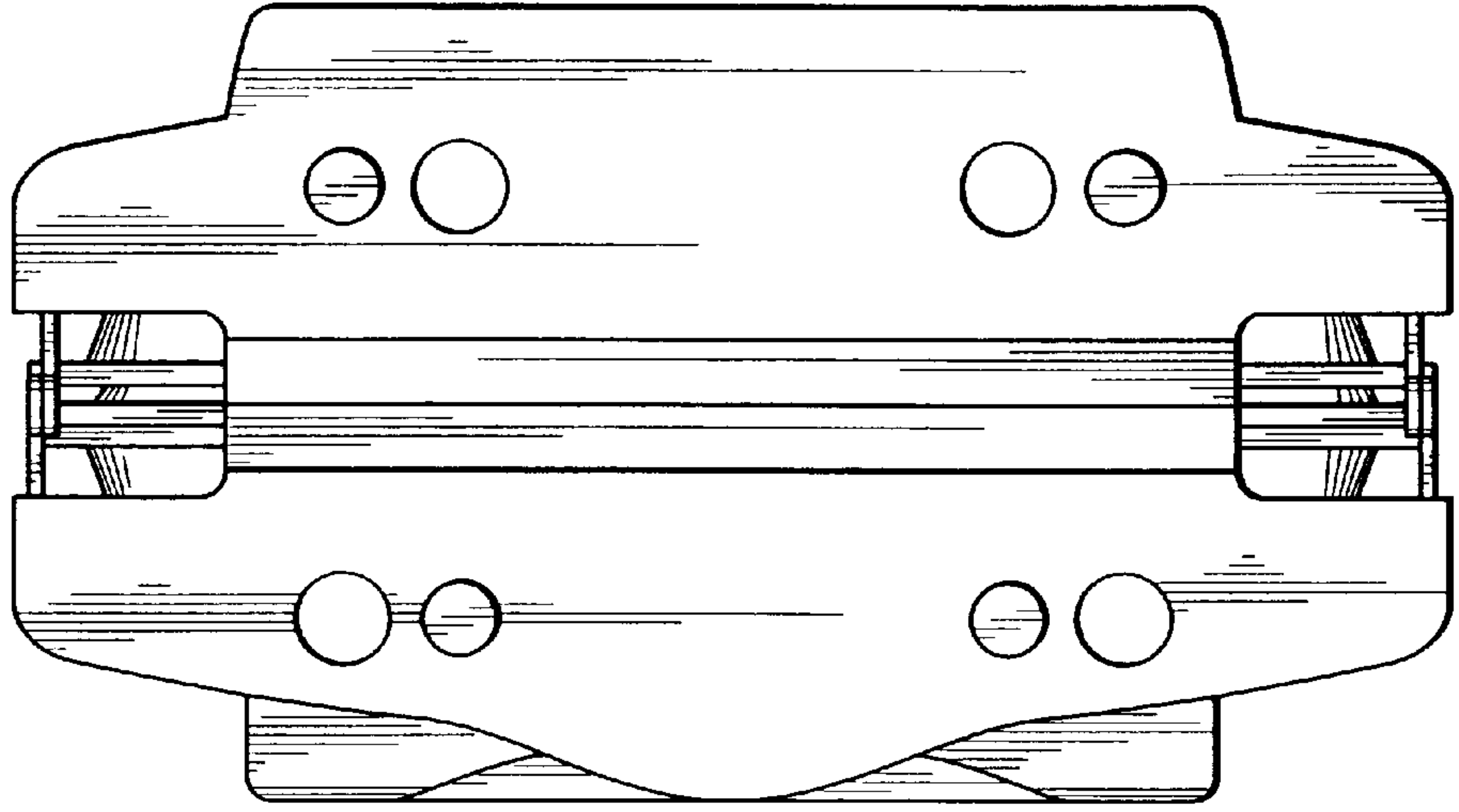
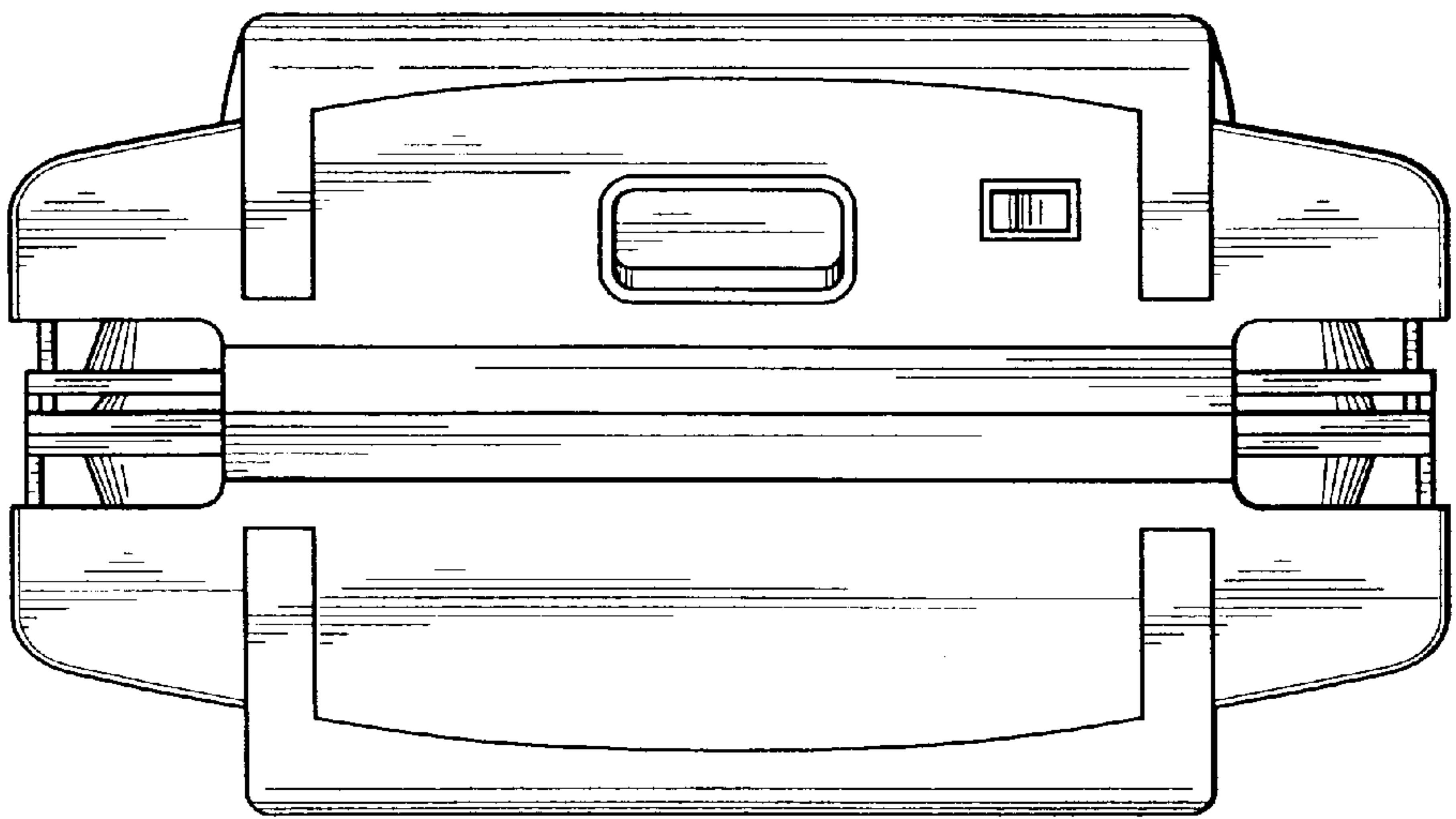
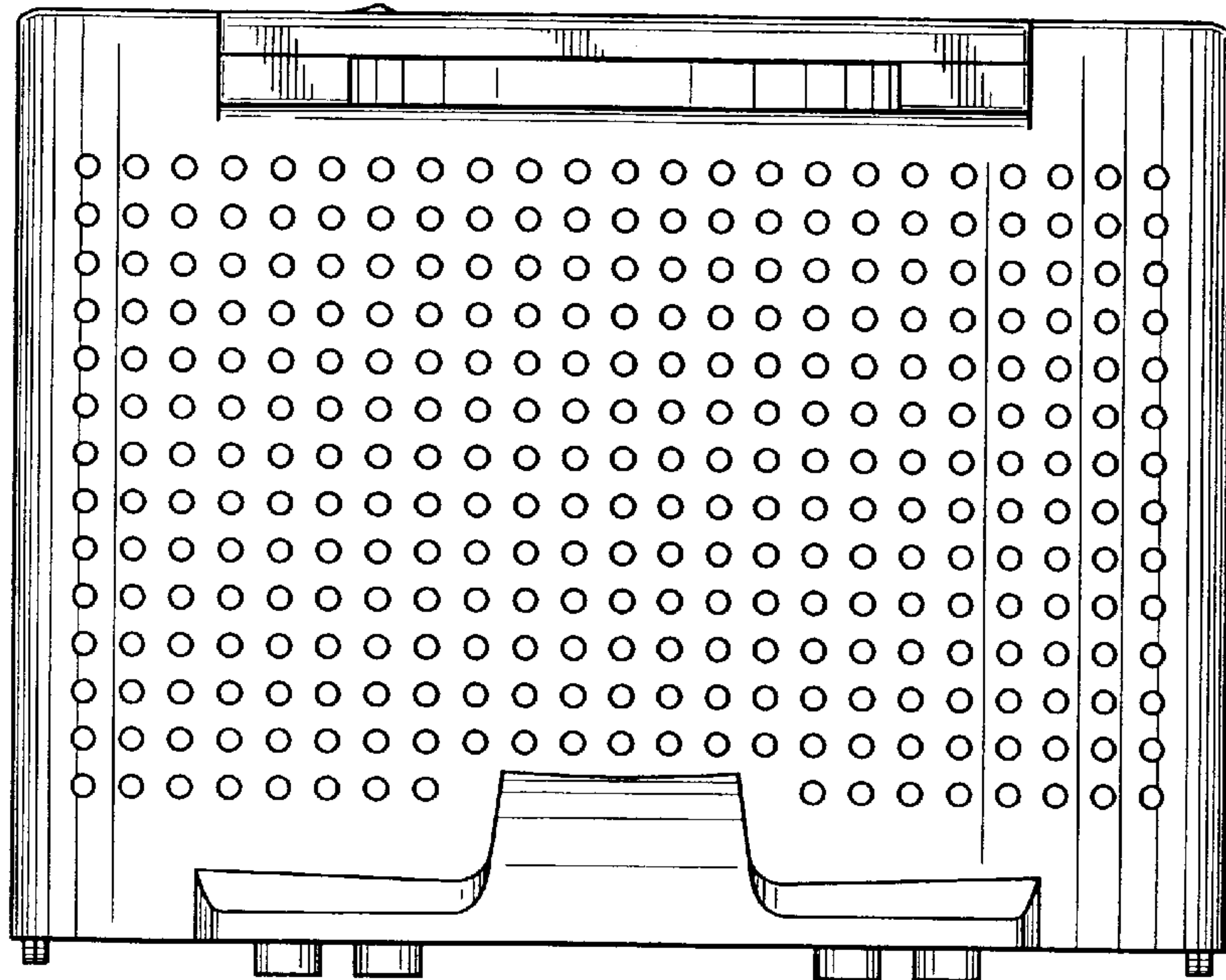


FIG. 13



*FIG. 15*



*FIG. 16*

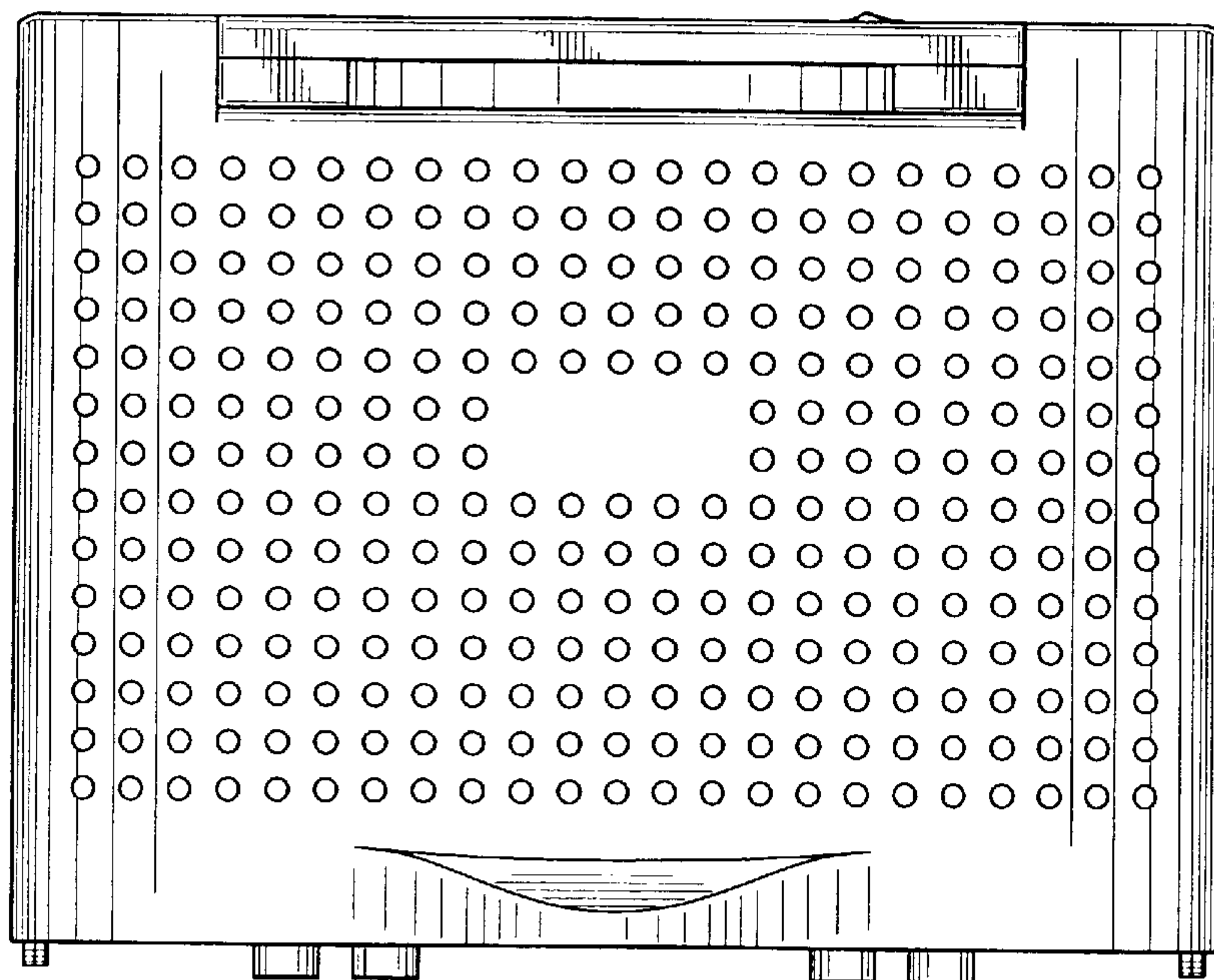
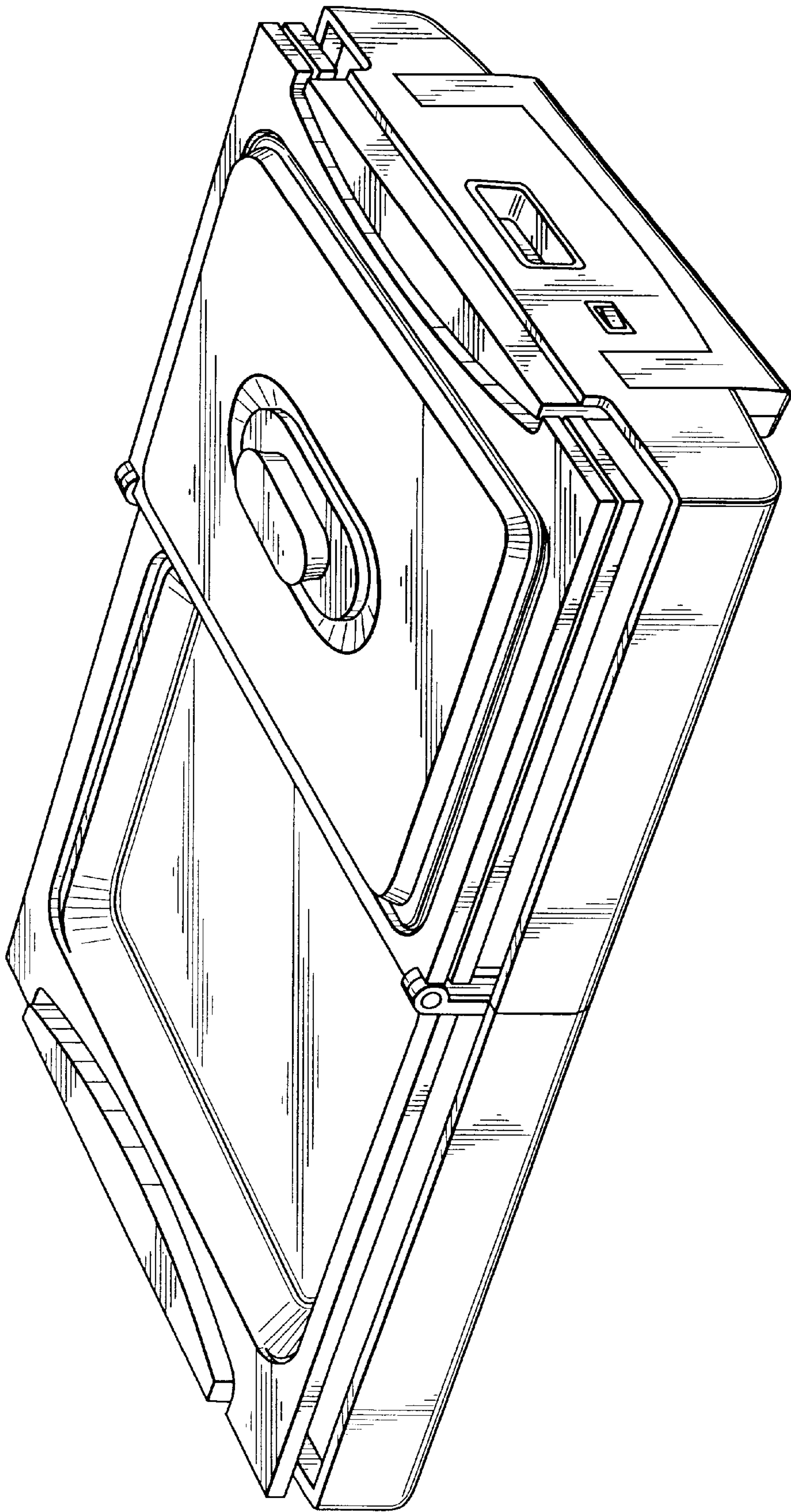




FIG. 17



*FIG. 18*

