



US00D422833S

United States Patent [19]

Cruz et al.

[11] Patent Number: Des. 422,833

[45] Date of Patent: ** Apr. 18, 2000

[54] TOASTER

[75] Inventors: **Anthony V. Cruz; James R. Gaynor; John D. Barnes**, all of Richmond, Va.

[73] Assignee: **Hamilton Beach/Proctor-Silex, Inc.**, Glen Allen, Va.

[**] Term: **14 Years**

[21] Appl. No.: **29/098,858**

[22] Filed: **Jan. 7, 1999**

[51] **LOC (6) Cl.** **07-02**

[52] **U.S. Cl.** **D7/330**

[58] **Field of Search** D7/323, 328-330; 99/327, 328, 329 R, 372, 385, 389, 400

[56] References Cited

U.S. PATENT DOCUMENTS

- D. 124,059 12/1940 Christenson, Jr. et al. D7/330
- D. 154,535 7/1949 Epstein D7/330

(List continued on next page.)

OTHER PUBLICATIONS

Photocopies of seven photographs dated Dec. 16, 1997 of "Admiral" toaster admitted to be prior art.

Front and Rear cover and p. 9 of "Hamilton Beach/Proctor-Silex" catalog published in 1992 by Hamilton Beach/Proctor-Silex, Inc.

See Information Disclosure Statement regarding offer for sale less than one year before application filing date.

Two page photocopy of four photographs dated Dec. 18, 1998 taken for the purposes of this Information Disclosure Statement showing a "Watch-me" toaster by Oster admitted to be prior art.

Primary Examiner—Caron D. Veynar
Attorney, Agent, or Firm—Roger S. Dybvig

[57] CLAIM

The ornamental design for a toaster, as shown and described.

DESCRIPTION

FIG. 1 is a perspective view as seen from the top, front and right side of a first embodiment of toaster showing our new design;

FIG. 2 is a right side elevational view thereof, the left side being a mirror image of the right side;

FIG. 3 is a front elevational view thereof;

FIG. 4 is a rear elevational view thereof;

FIG. 5 is a top plan view thereof;

FIG. 6 is a bottom plan view thereof;

FIG. 7 is a perspective view as seen from the top, front and right side of a toaster showing a second embodiment of our new design;

FIG. 8 is a right side elevational view thereof, the left side being a mirror image of the right side;

FIG. 9 is a front elevational view thereof;

FIG. 10 is a rear elevational view thereof;

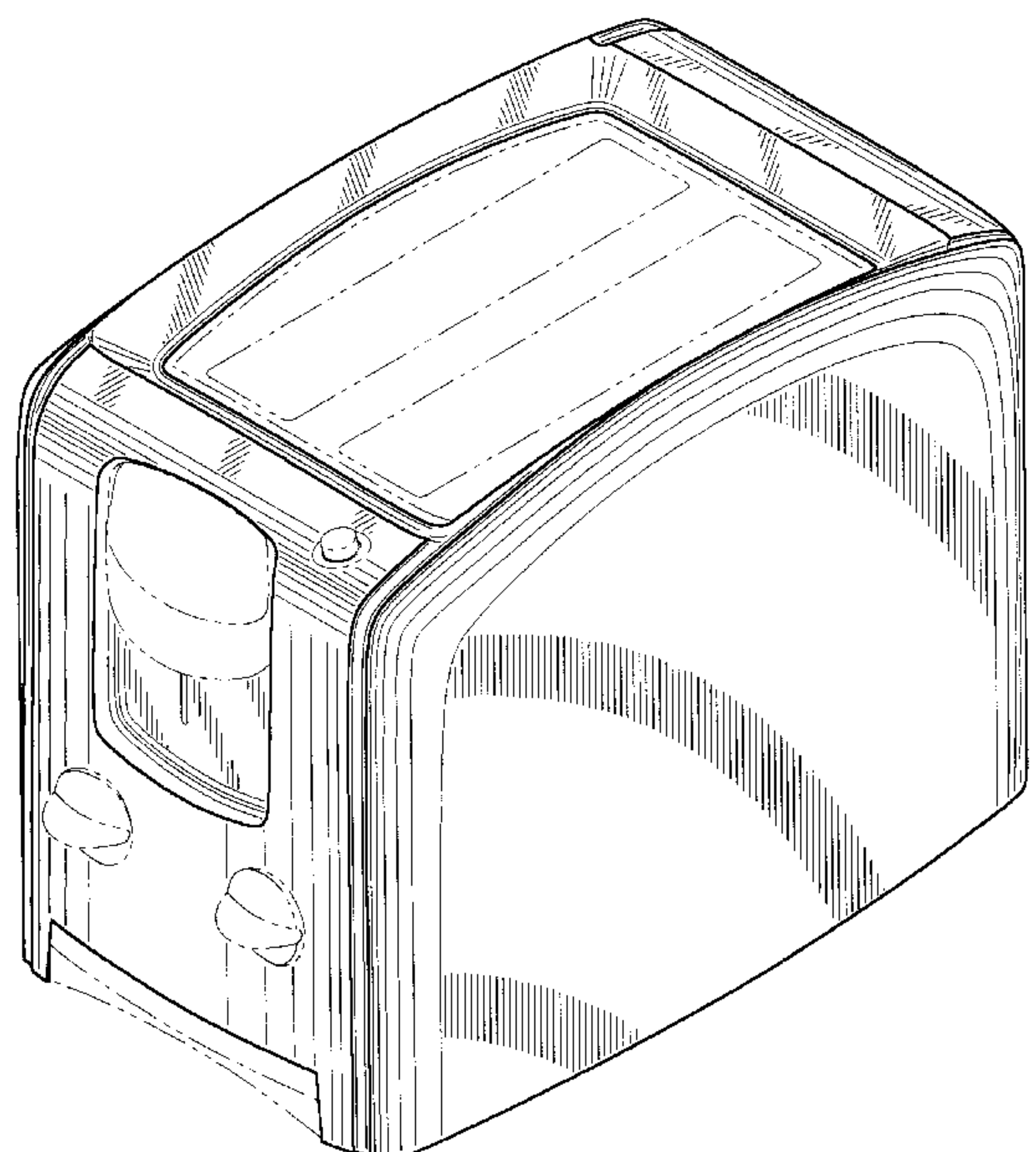
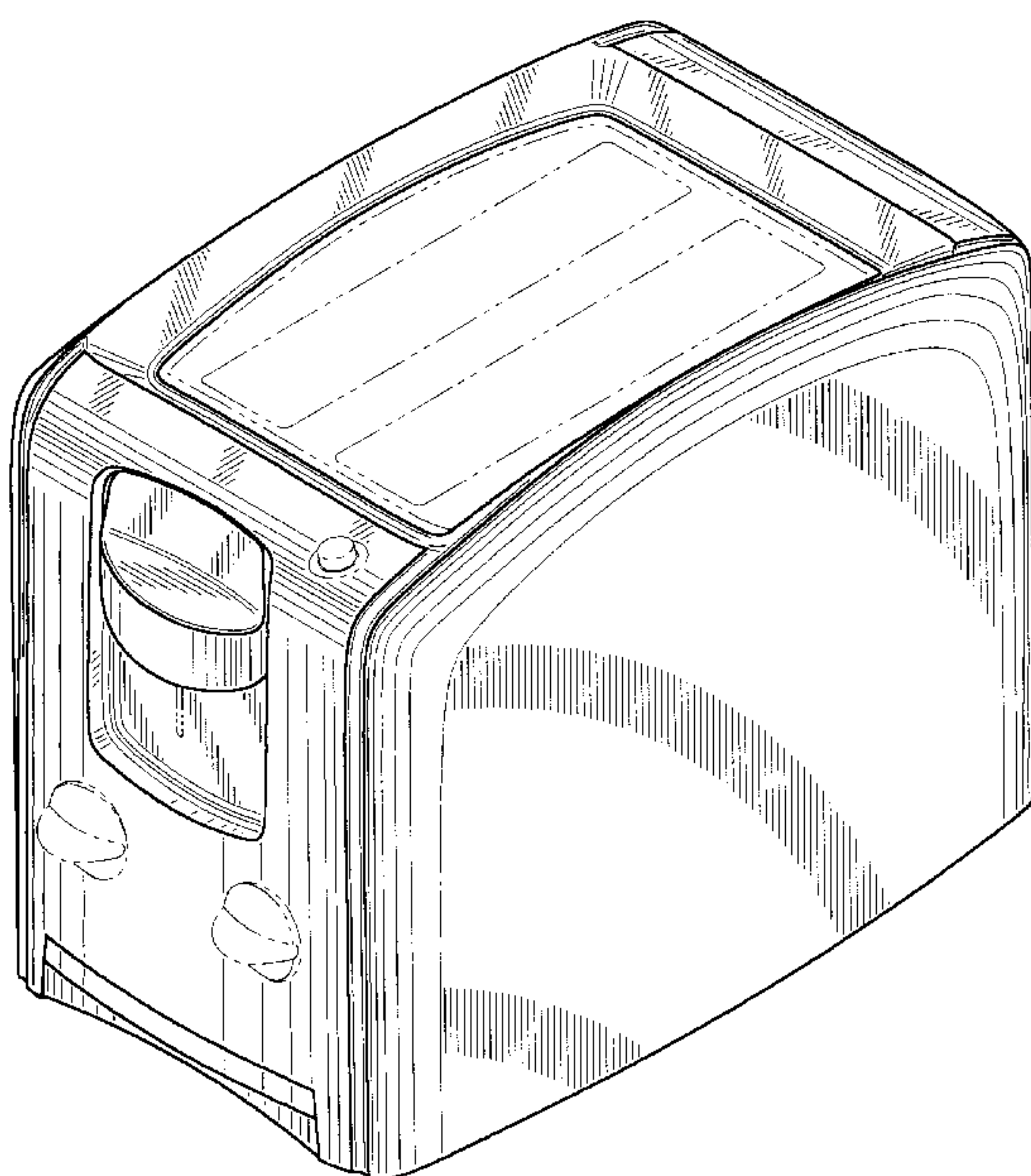
FIG. 11 is a top plan view thereof; and,

FIG. 12 is a bottom plan view thereof.

The broken lines in FIGS. 1 through 6 showing two toaster control knobs, a cancel button, a carriage lever guide slot, toast slots, the feet, a power cord, a power cord notch, and a bottom plate are used for illustrative purposes only and form no part of the claimed design.

The broken lines in FIGS. 7 through 12 showing two toaster control knobs, a cancel button, a toaster carriage handle, a carriage lever guide slot, toast slots, the feet, a power cord, a power cord notch, the crumb tray, and a bottom plate are used for illustrative purposes only and form no part of the claimed design.

1 Claim, 10 Drawing Sheets



U.S. PATENT DOCUMENTS

D. 156,153	11/1949	Olson et al.	D7/330	D. 375,017	10/1996	Barrault	D7/330
D. 167,908	10/1952	Pulliam	D7/330	D. 378,971	4/1997	Cruz	D7/330
D. 169,233	3/1953	Willman	D7/330	D. 388,276	12/1997	Cruz	D7/330
D. 176,275	12/1955	May	D7/330	D. 414,273	9/1999	Cruz	D7/330
D. 177,503	4/1956	Hunt	D7/330	2,257,906	10/1941	Gough	99/327
D. 185,076	5/1959	Ernest et al.	D7/330	2,309,640	2/1943	Gough	99/327
D. 298,997	12/1988	Mezey	D7/330	2,367,044	1/1945	Newell	99/329 R
D. 300,798	4/1989	Tow	D7/330	2,368,026	1/1945	Jepson	99/389
D. 315,272	3/1991	Moore et al.	D7/330	2,567,075	9/1951	Lindberg	99/328
D. 338,368	8/1993	Naft et al.	D7/330	2,611,849	9/1952	Gough	219/489
					3,169,469	2/1965	Parr	99/400

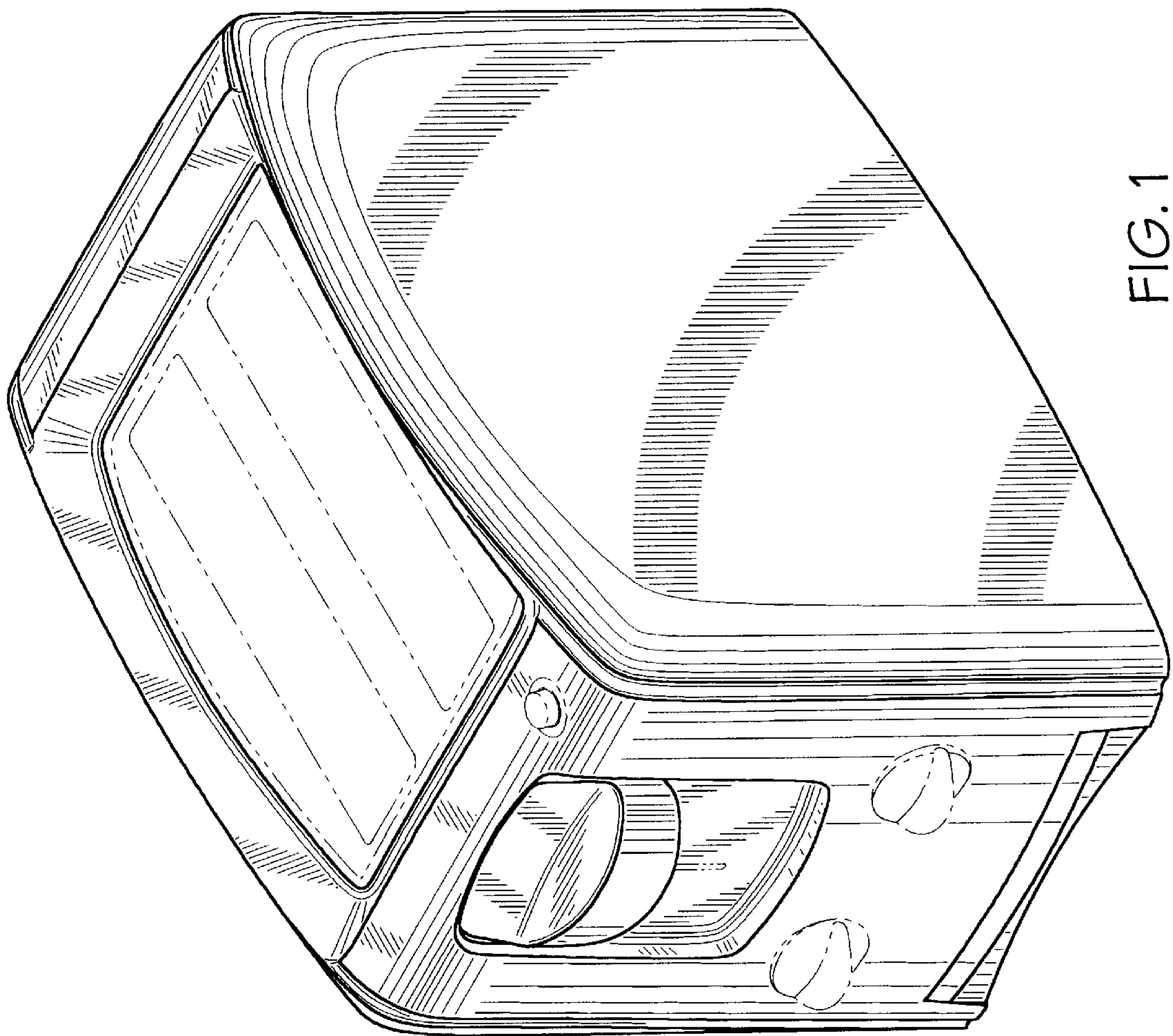


FIG. 1

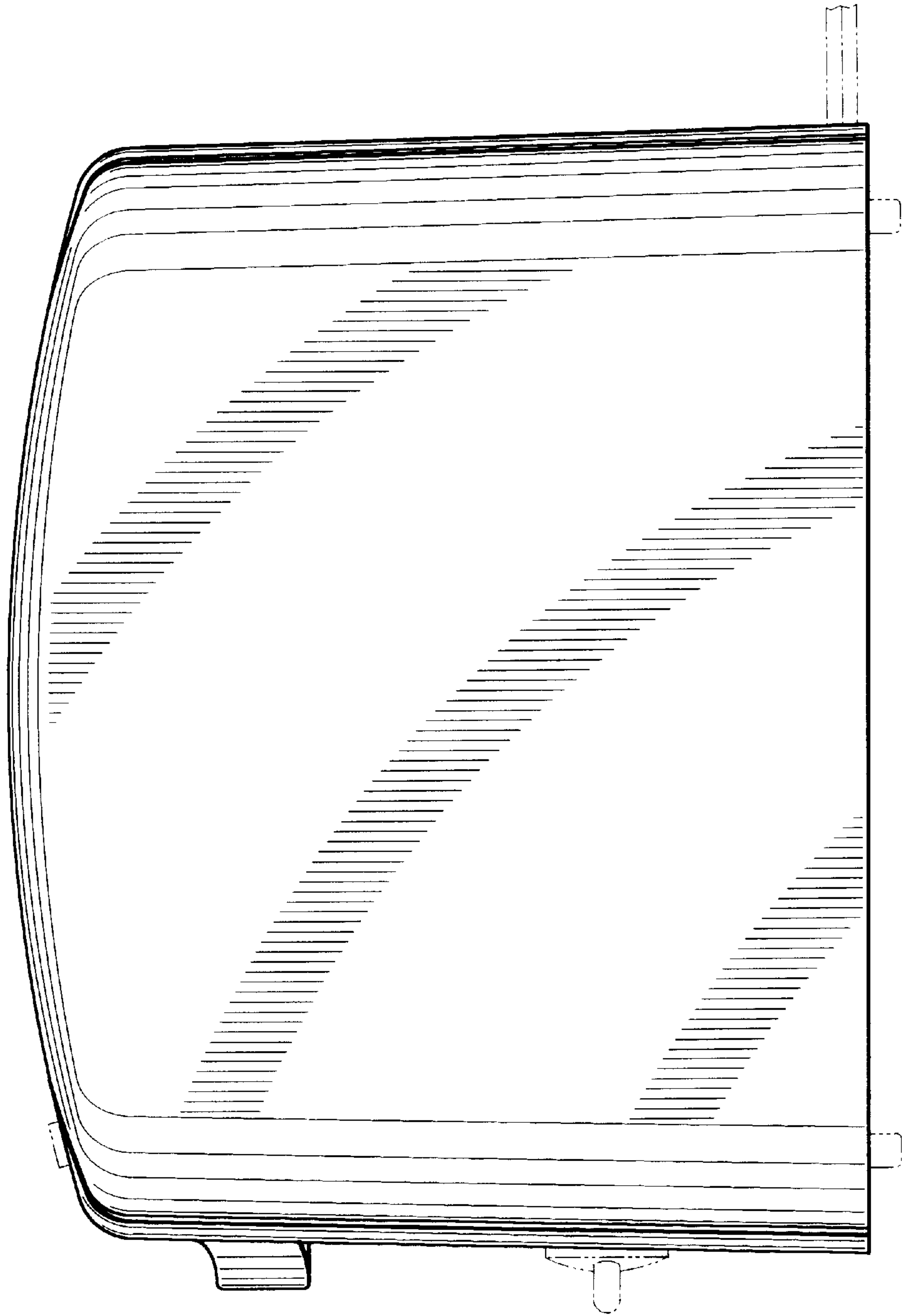


FIG. 2

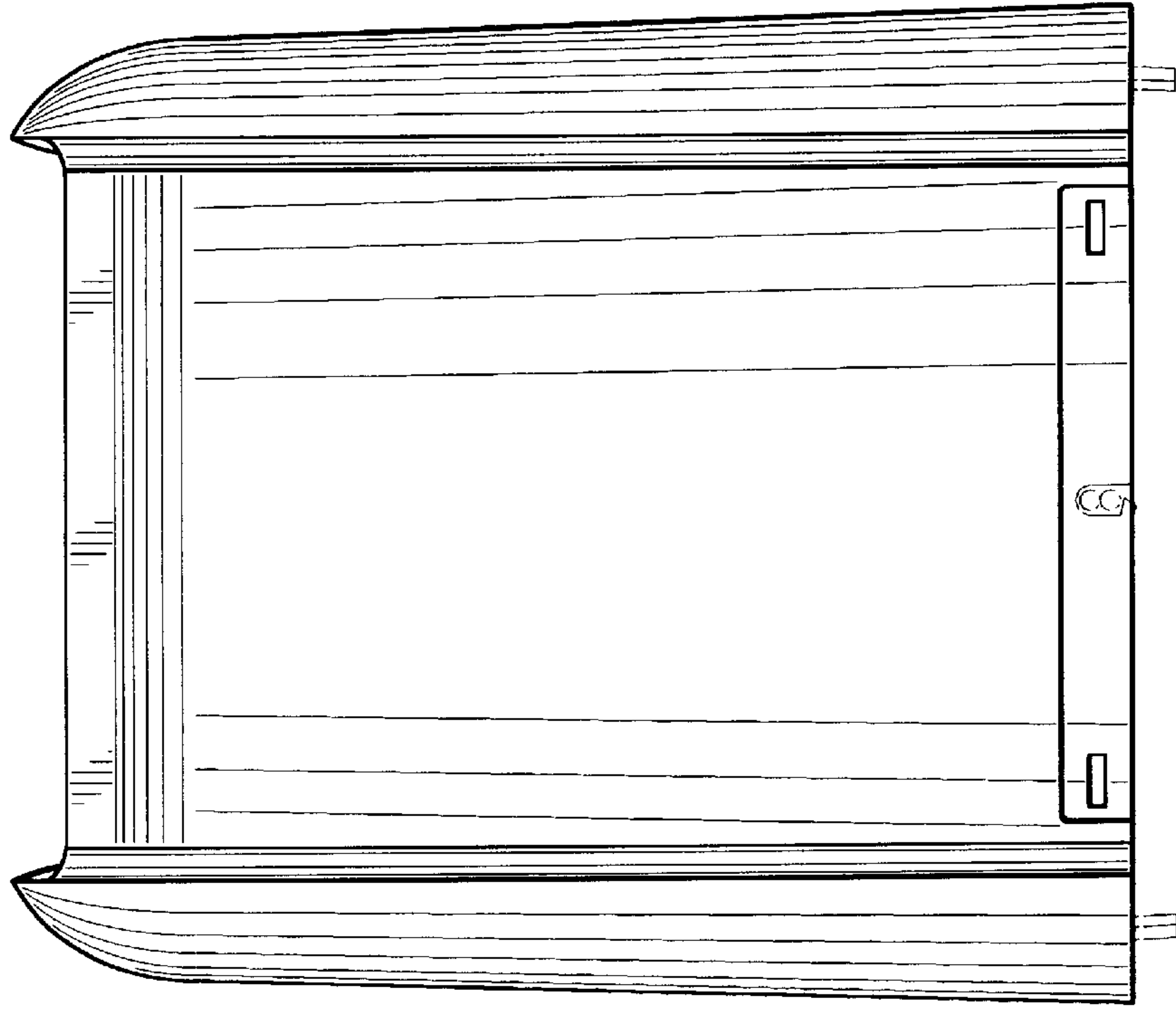


FIG. 4

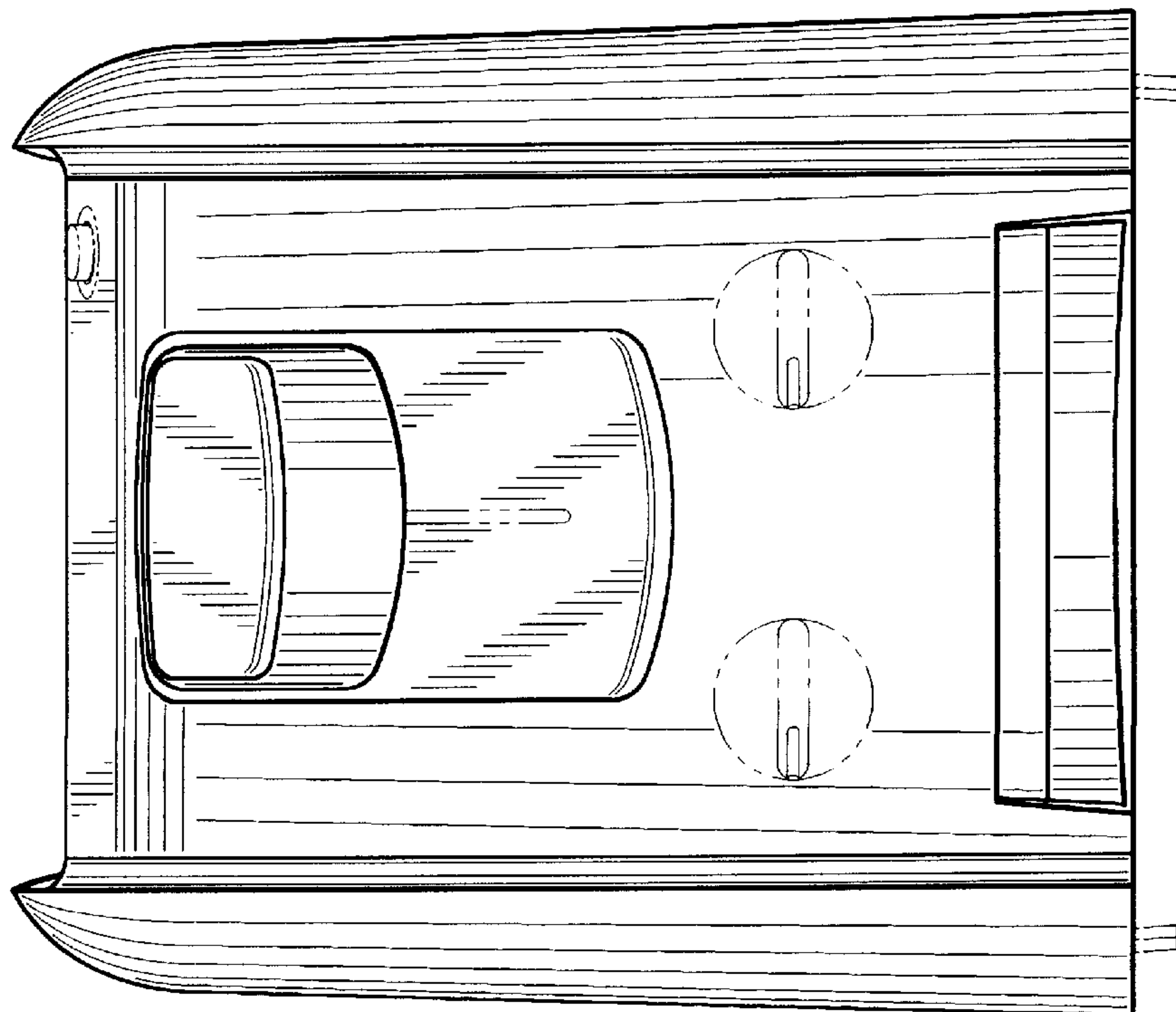


FIG. 3

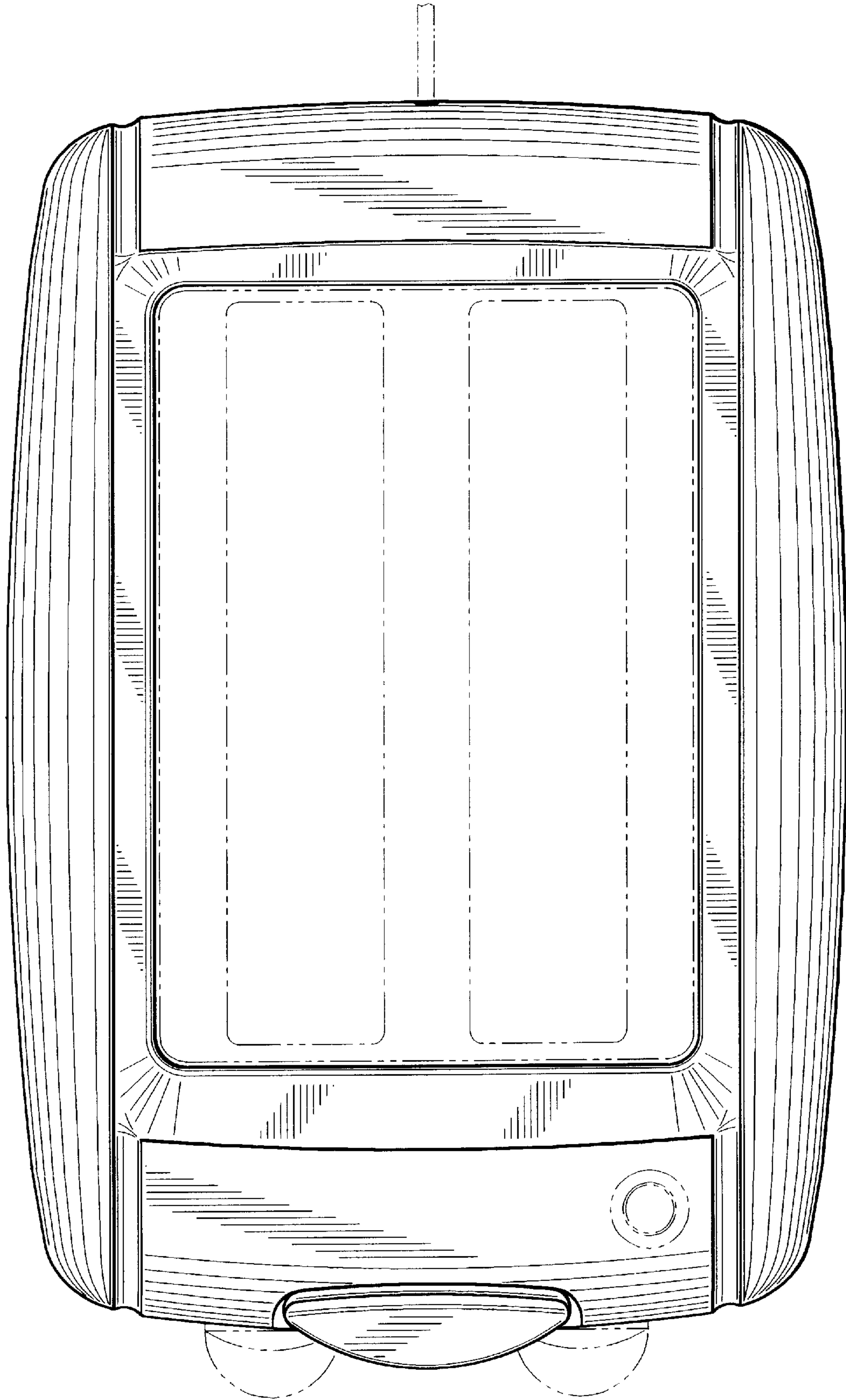


FIG. 5

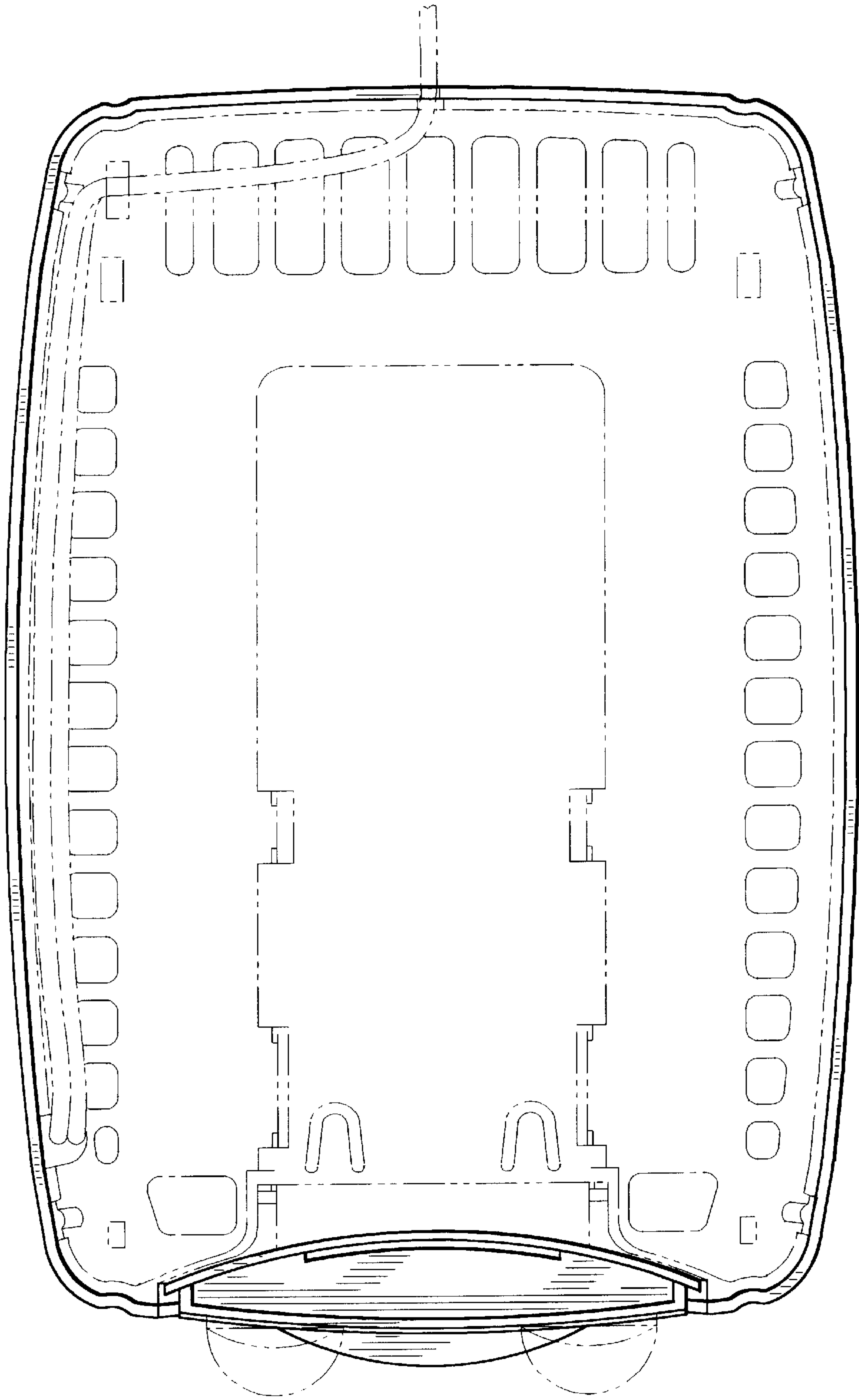


FIG. 6

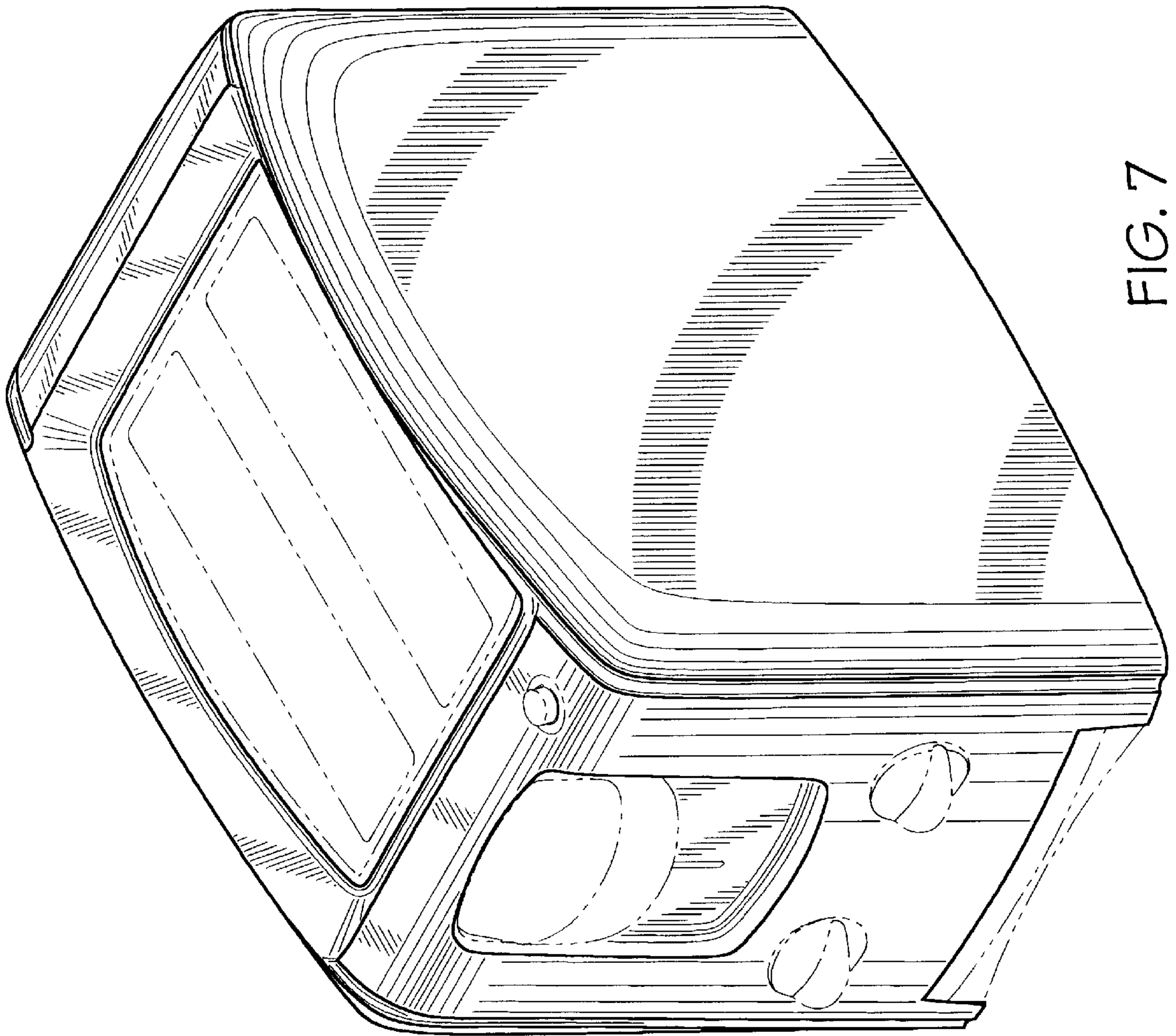


FIG. 7

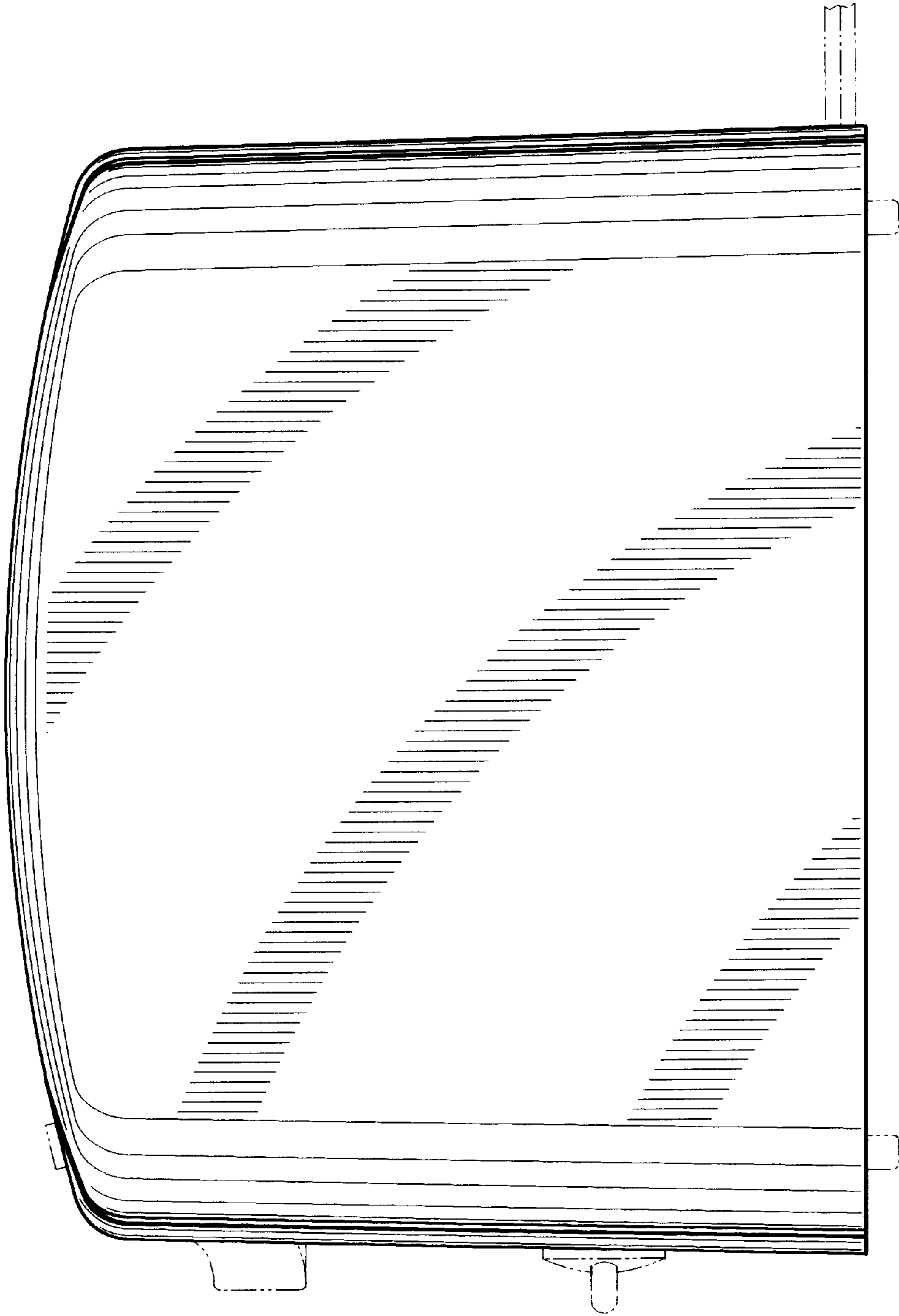


FIG. 8

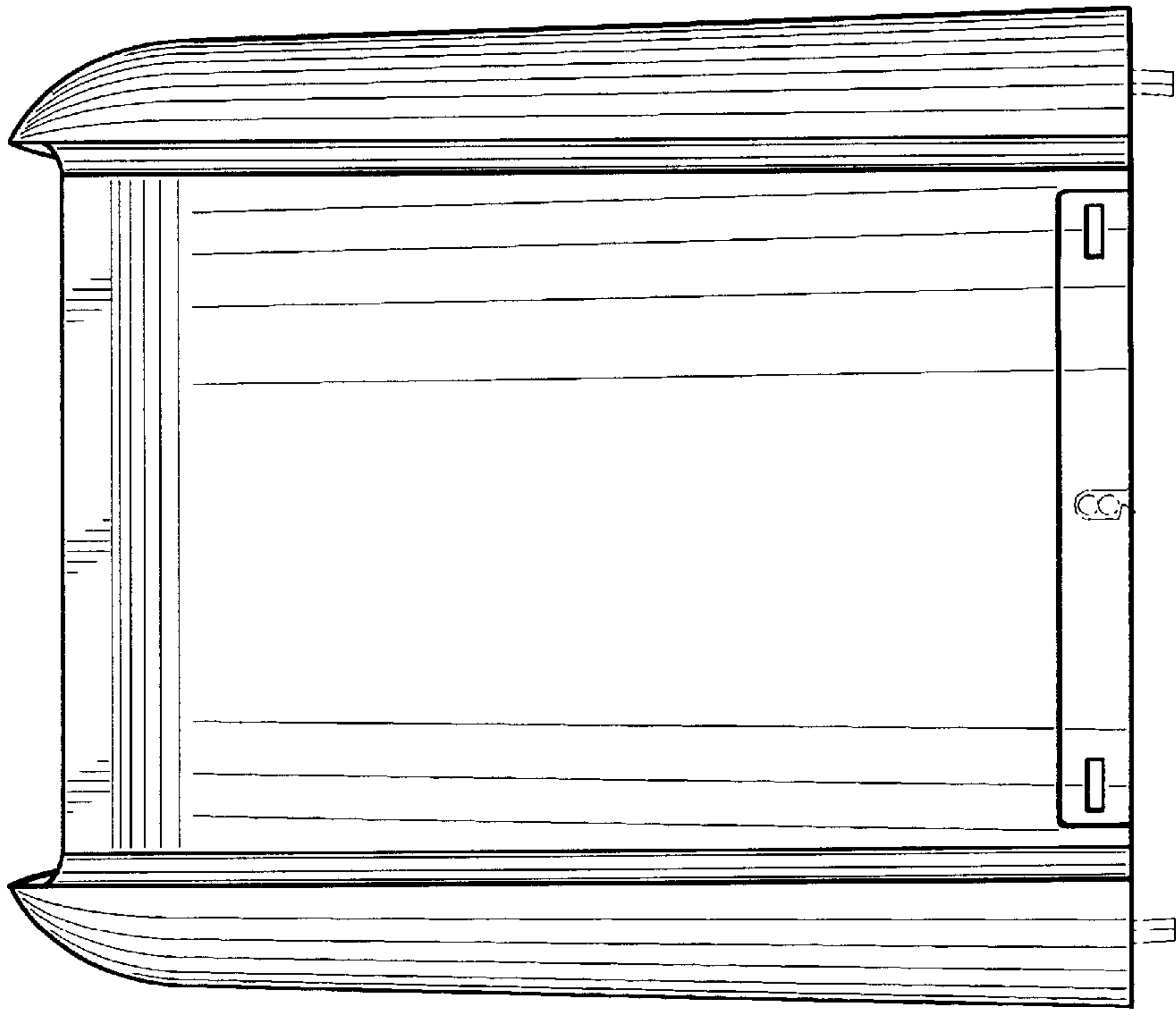


FIG. 10

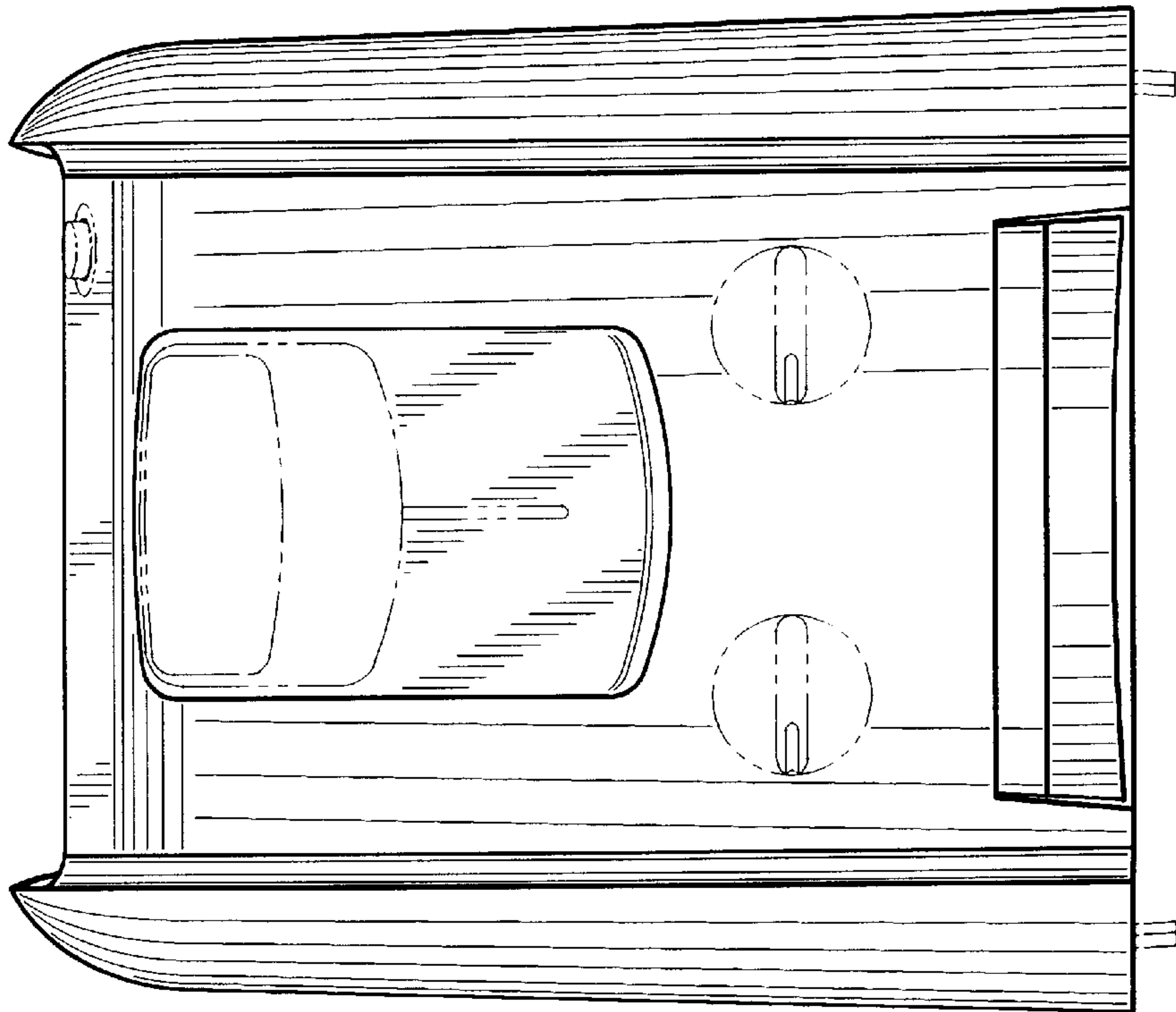


FIG. 9

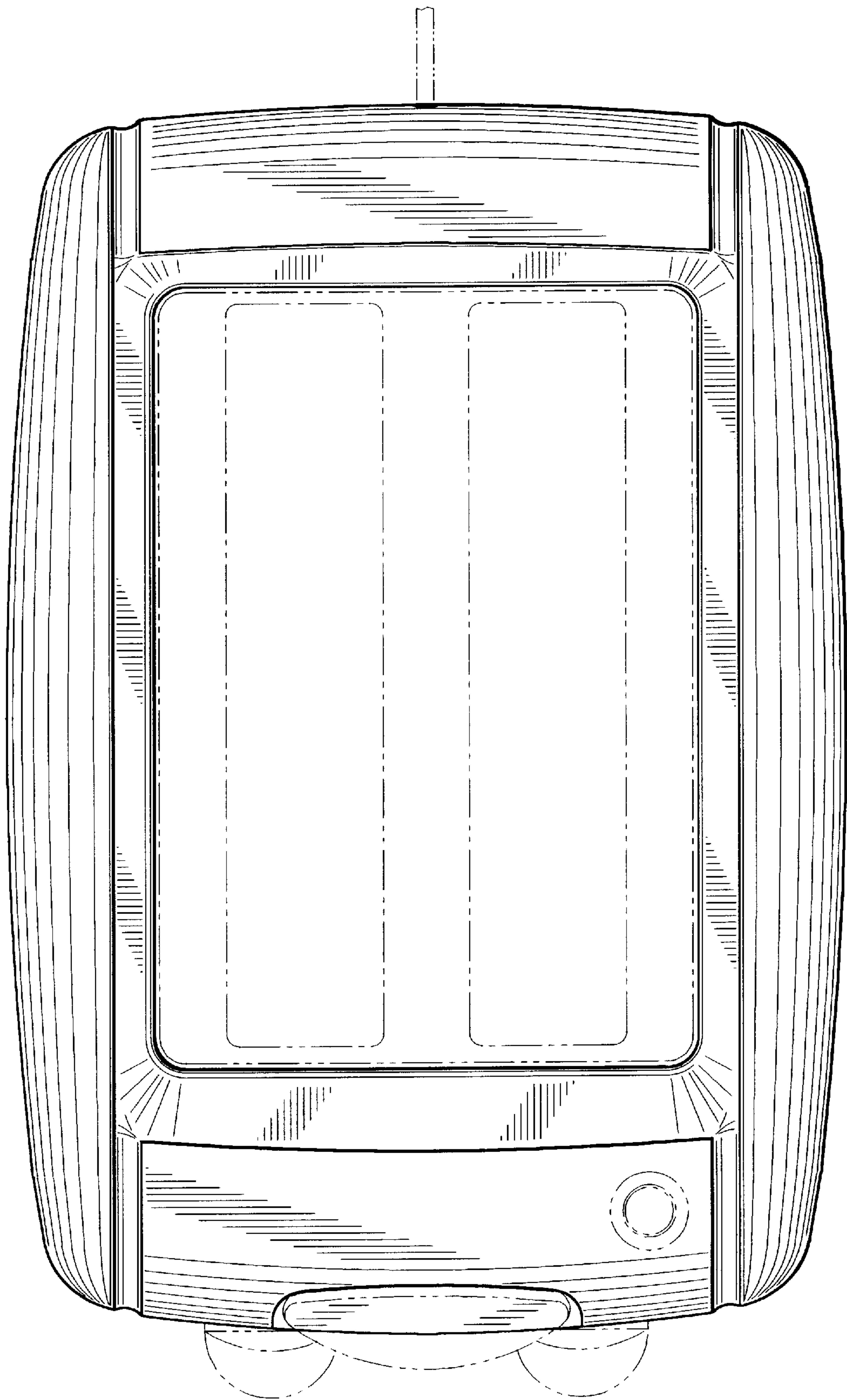


FIG. 11

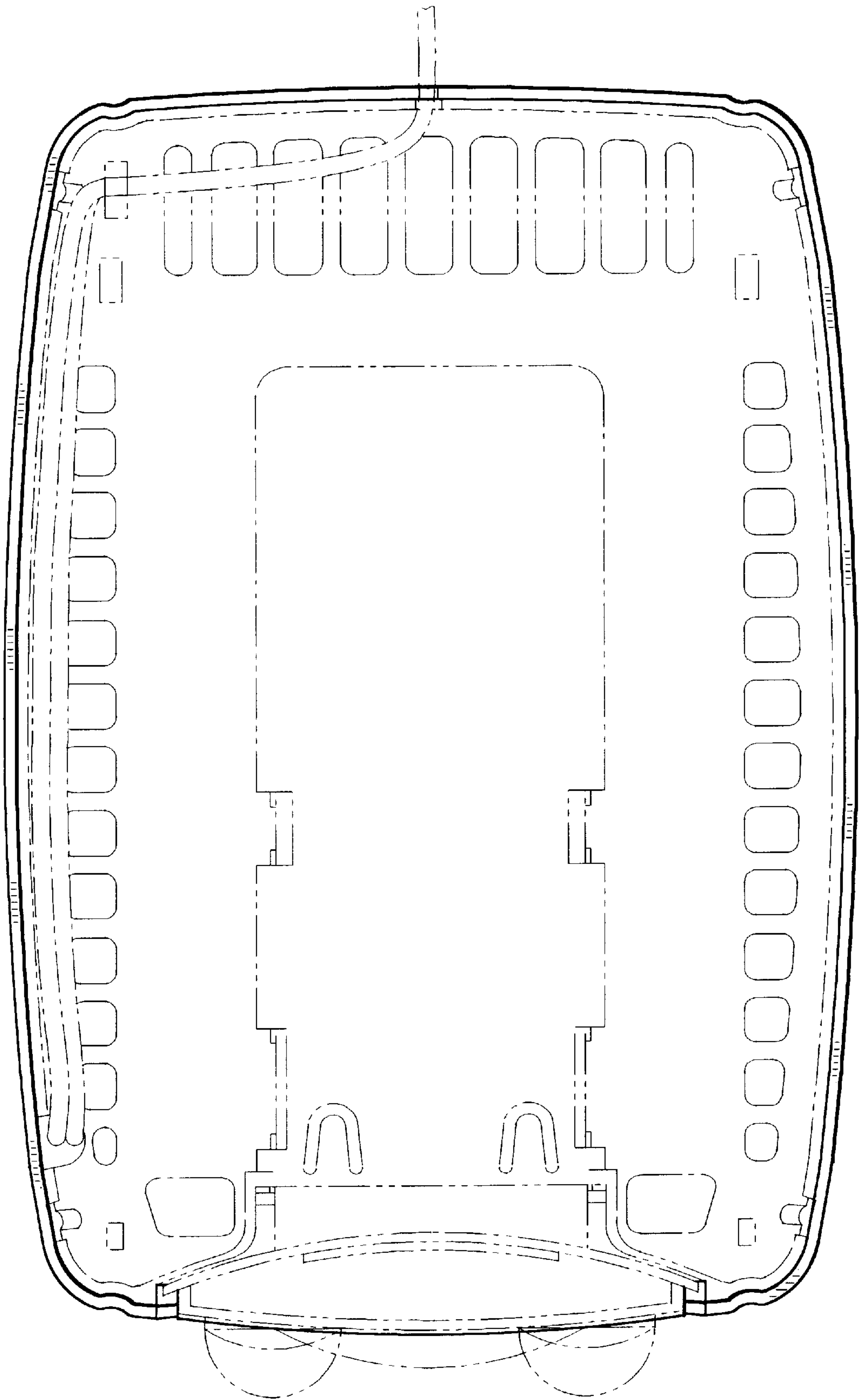


FIG. 12