



US00D422832S

United States Patent [19]
Gaynor et al.

[11] **Patent Number: Des. 422,832**
[45] **Date of Patent: ** Apr. 18, 2000**

[54] **FOUR SLOT TOASTER**

[75] Inventors: **James R. Gaynor**, Richmond; **Martin Brady**, Chesterfield, both of Va.

[73] Assignee: **Hamilton Beach/Proctor-Silex, Inc.**, Glen Allen, Va.

[**] Term: **14 Years**

[21] Appl. No.: **29/098,845**

[22] Filed: **Jan. 7, 1999**

[51] **LOC (6) Cl.** **07-02**

[52] **U.S. Cl.** **D7/330**

[58] **Field of Search** D7/323, 328-330,
D7/390; 99/372, 385, 389

[56] **References Cited**

U.S. PATENT DOCUMENTS

D. 193,599 9/1962 De Fano D7/330

(List continued on next page.)

OTHER PUBLICATIONS

Front and rear cover and p. 9 of "Hamilton Beach/Proctor-Silex" catalog published 1992 by Hamilton Beach/Proctor-Silex, Inc.

(List continued on next page.)

Primary Examiner—Caron D. Veynar
Attorney, Agent, or Firm—Roger S. Dybvig

[57] **CLAIM**

The ornamental design for four slot toaster, as shown and described.

DESCRIPTION

FIG. 1 is a perspective view as seen from the top, front, and right side of a first embodiment of a four slot toaster showing our new design;

FIG. 2 is a perspective view as seen from the top, front, and left side thereof;

FIG. 3 is a right side elevational view thereof;

FIG. 4 is a left side elevational view thereof;

FIG. 5 is a front elevational view thereof;

FIG. 6 is a top plan view thereof;

FIG. 7 is a rear elevational view thereof;

FIG. 8 is a bottom plan view thereof;

FIG. 9 is a perspective view as seen from the top, front, and right side of a second embodiment of a four slot toaster showing our new design;

FIG. 10 is a perspective view as seen from the top, front, and left side thereof;

FIG. 11 is a right side elevational view thereof;

FIG. 12 is a left side elevational view thereof;

FIG. 13 is a front elevational view thereof;

FIG. 14 is a top plan view thereof;

FIG. 15 is a rear elevational view thereof;

FIG. 16 is a bottom plan view thereof;

FIG. 17 is a perspective view as seen from the top, front, and right side of a third embodiment of a four slot toaster showing our new design;

FIG. 18 is a perspective view as seen from the top, front, and left side thereof;

FIG. 19 is a right side elevational view thereof;

FIG. 20 is a left side elevational view thereof;

FIG. 21 is a front elevational view thereof;

FIG. 22 is a top plan view thereof;

FIG. 23 is a rear elevational view thereof; and,

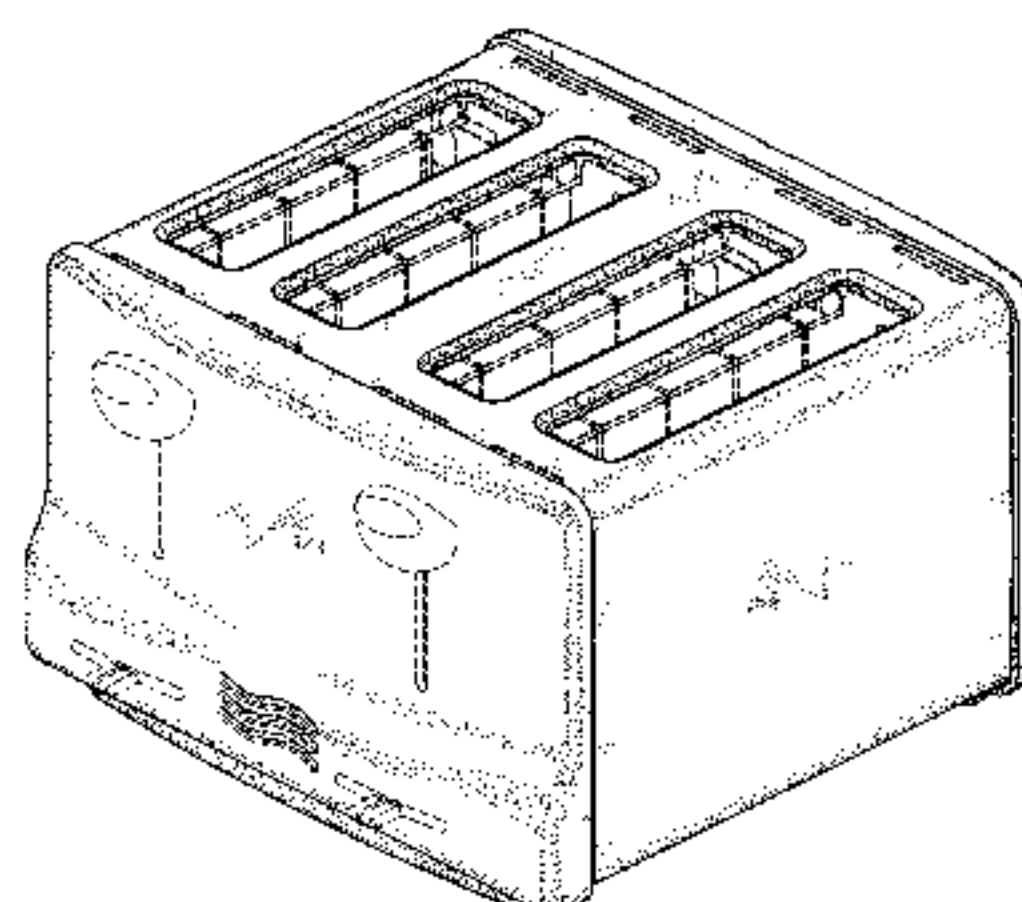
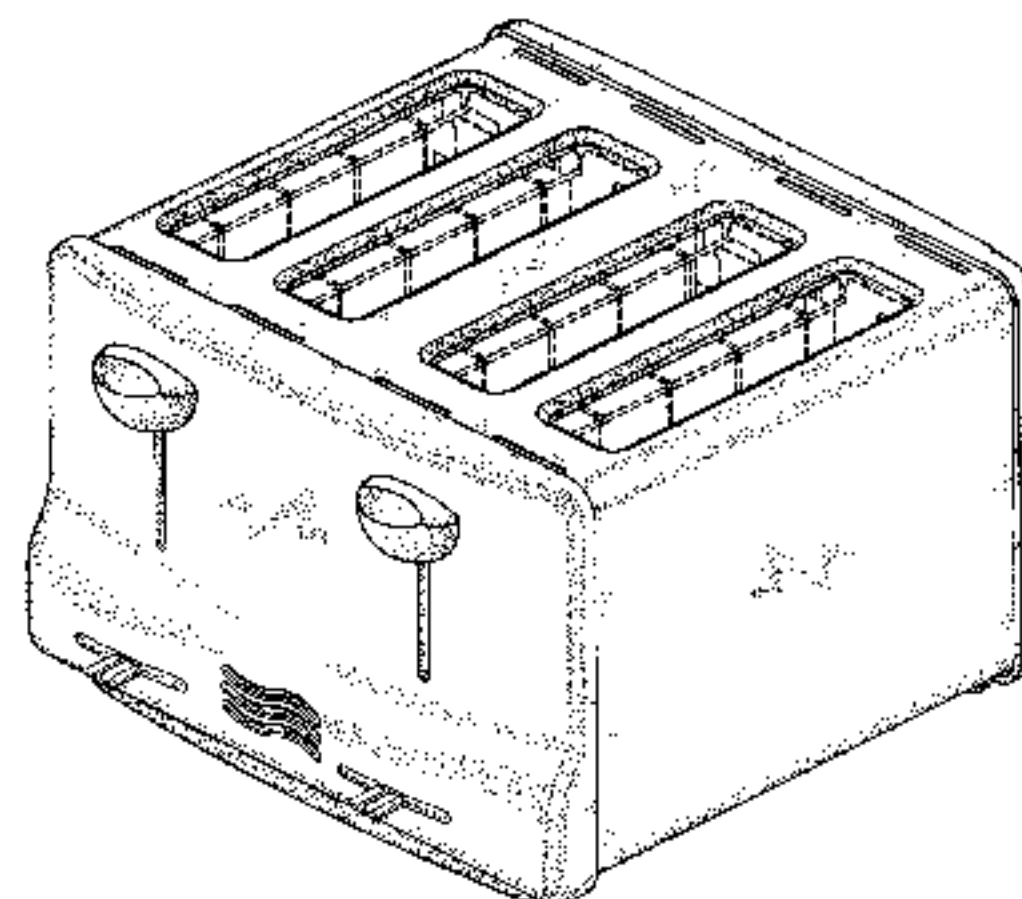
FIG. 24 is a bottom plan view thereof.

The broken lines in FIGS. 1, 2, and 8 of the first embodiment showing the grill members and other structure within the slots and the undercarriage of the toaster body are used for illustrative purposes only and form no part of the claimed design.

The broken lines in FIGS. 9 through 13, 15, and 16 of the second embodiment showing the grill members and other structure within the slots, the front and rear vents, and the undercarriage of the toaster body are used for illustrative purposes only and form no part of the claimed design.

The broken lines in FIGS. 17 through 24 of the third embodiment showing the grill members and other structure within the slots, the front and rear vents, the toaster body vents, the undercarriage of the toaster body, both bread lifters and bread lifter knobs and their corresponding bread lifter slots, and both color control levers and their corresponding slots are used for illustrative purposes only and form no part of the claimed design.

1 Claim, 12 Drawing Sheets



U.S. PATENT DOCUMENTS

D. 345,074 3/1994 Myers et al. D7/330
D. 388,276 12/1997 Cruz D7/330
D. 409,438 5/1999 Brady D7/330
D. 413,224 8/1999 Cruz et al. D7/330

OTHER PUBLICATIONS

Commonly-owned design application serial No. 29/071,017
filed May 5, 1997.
See information Disclosure Statement regarding offer for
sale less than one year before filing date of this application.

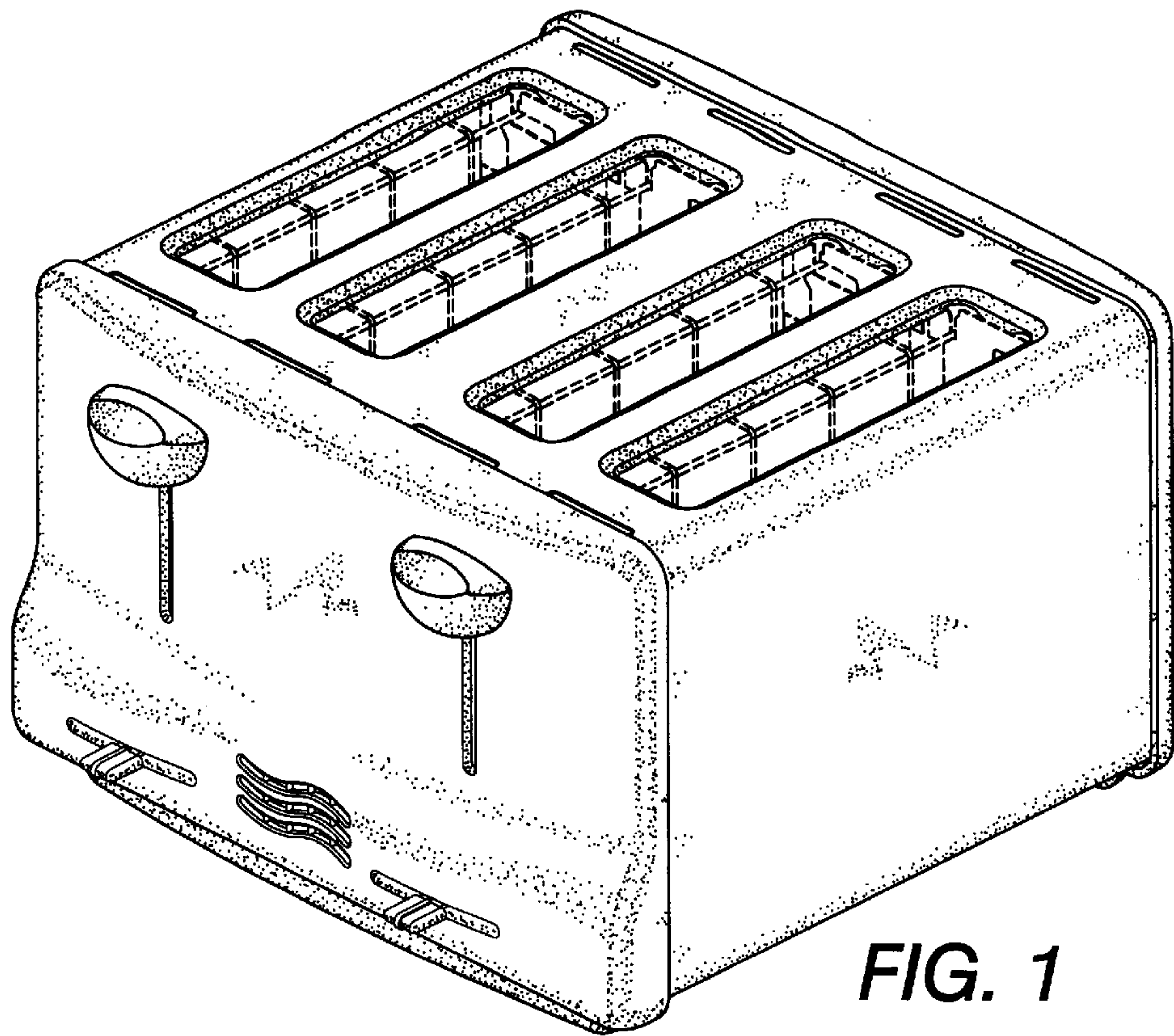


FIG. 1

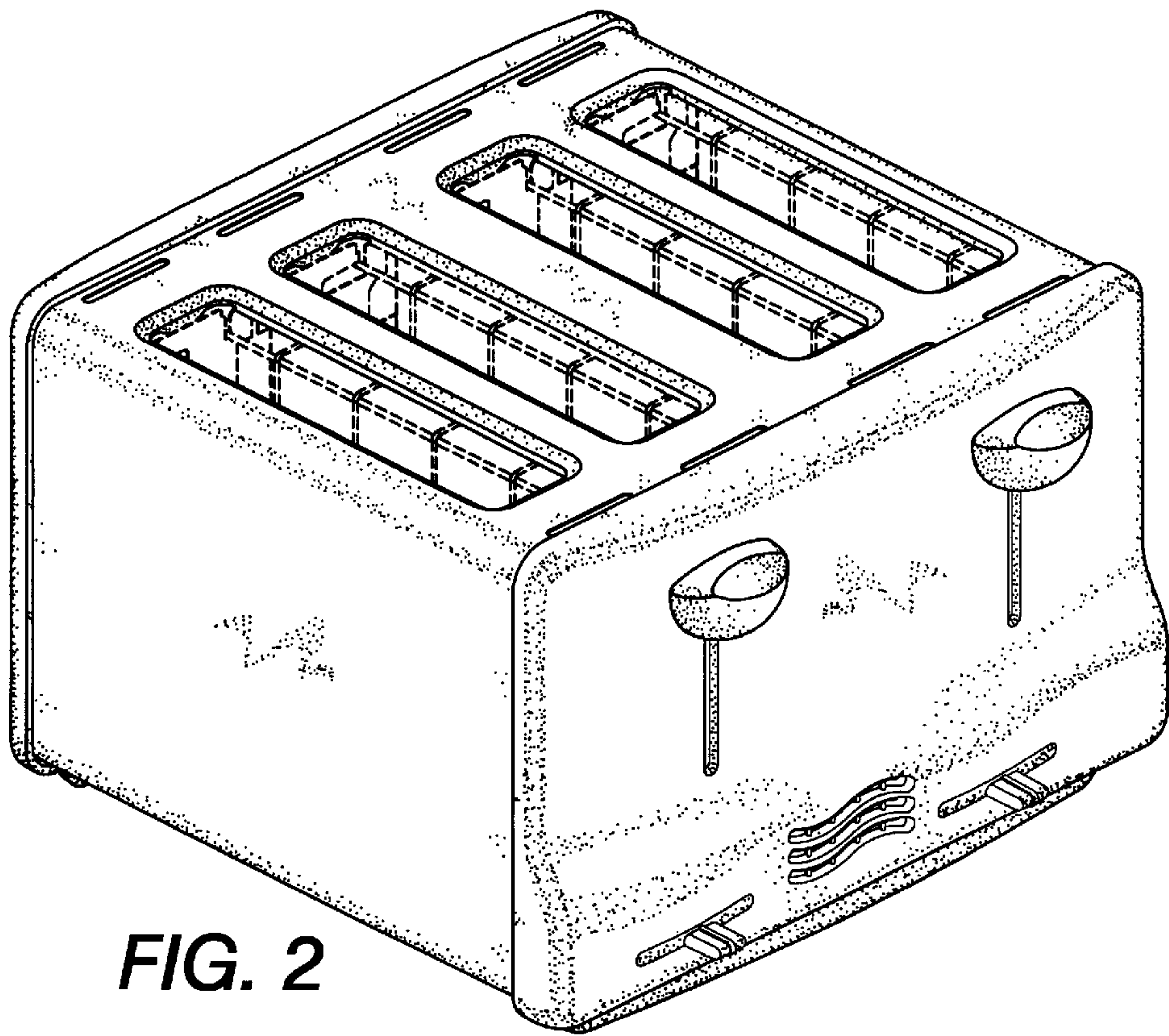


FIG. 2

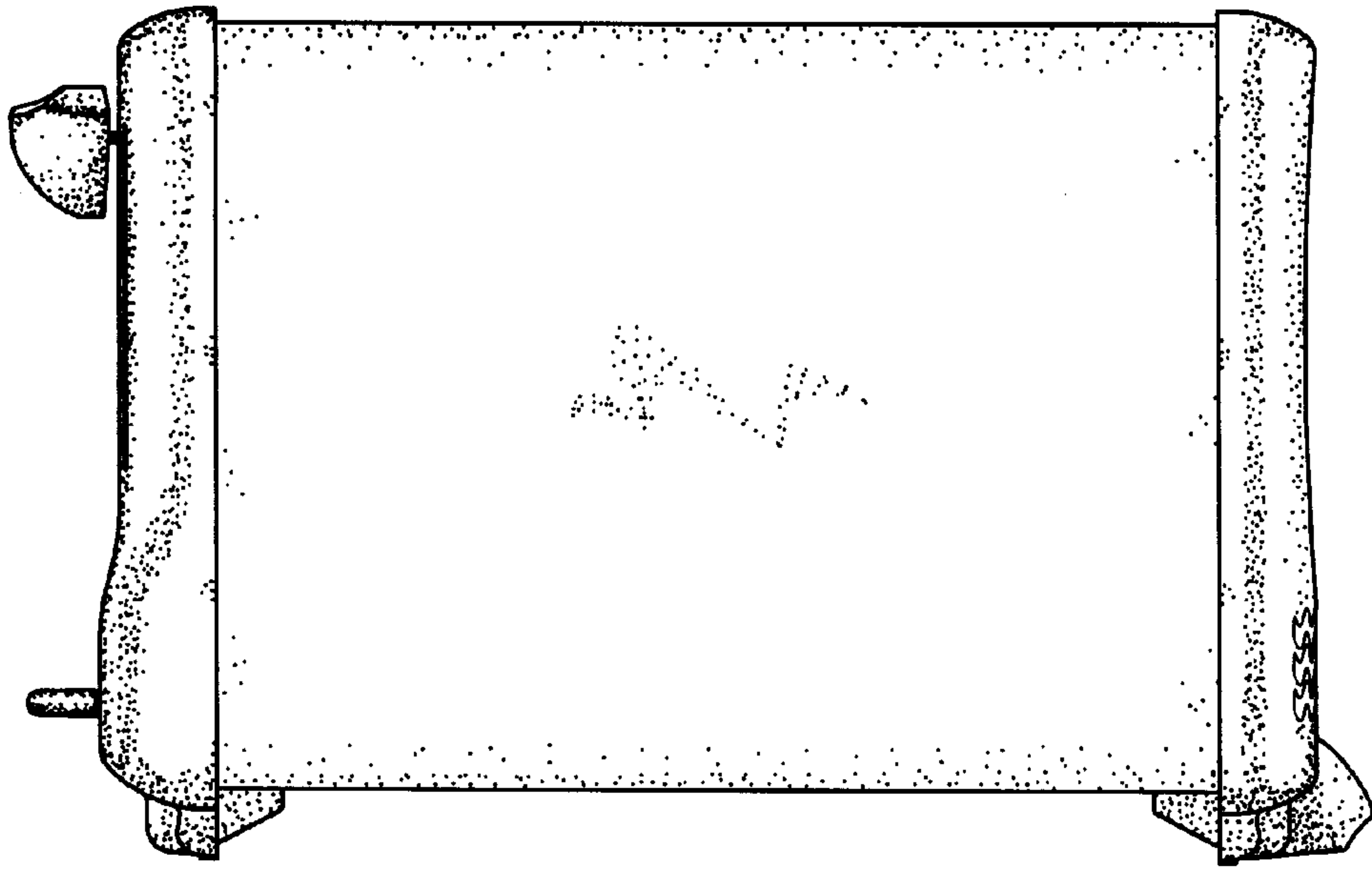


FIG. 3



FIG. 4

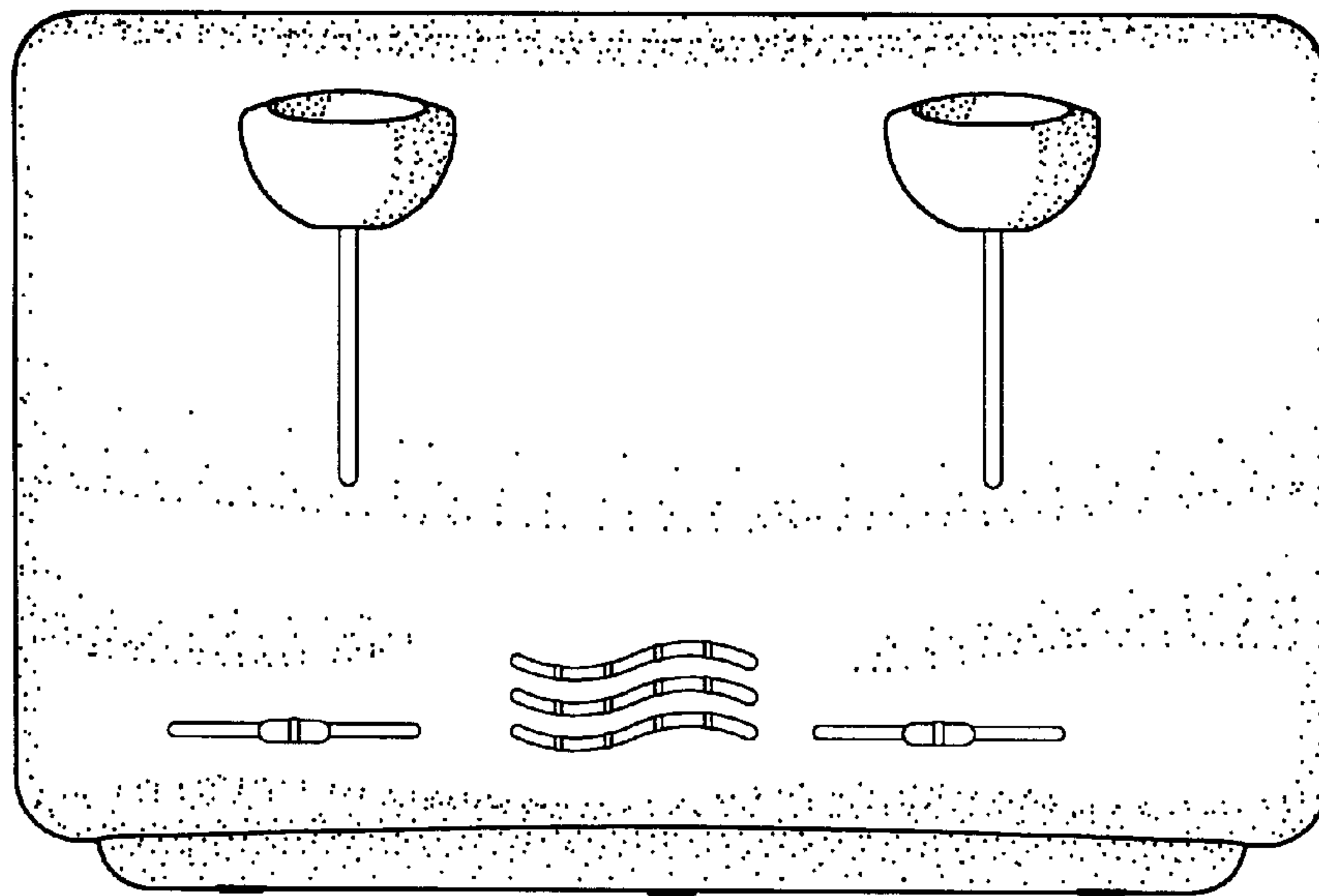


FIG. 5

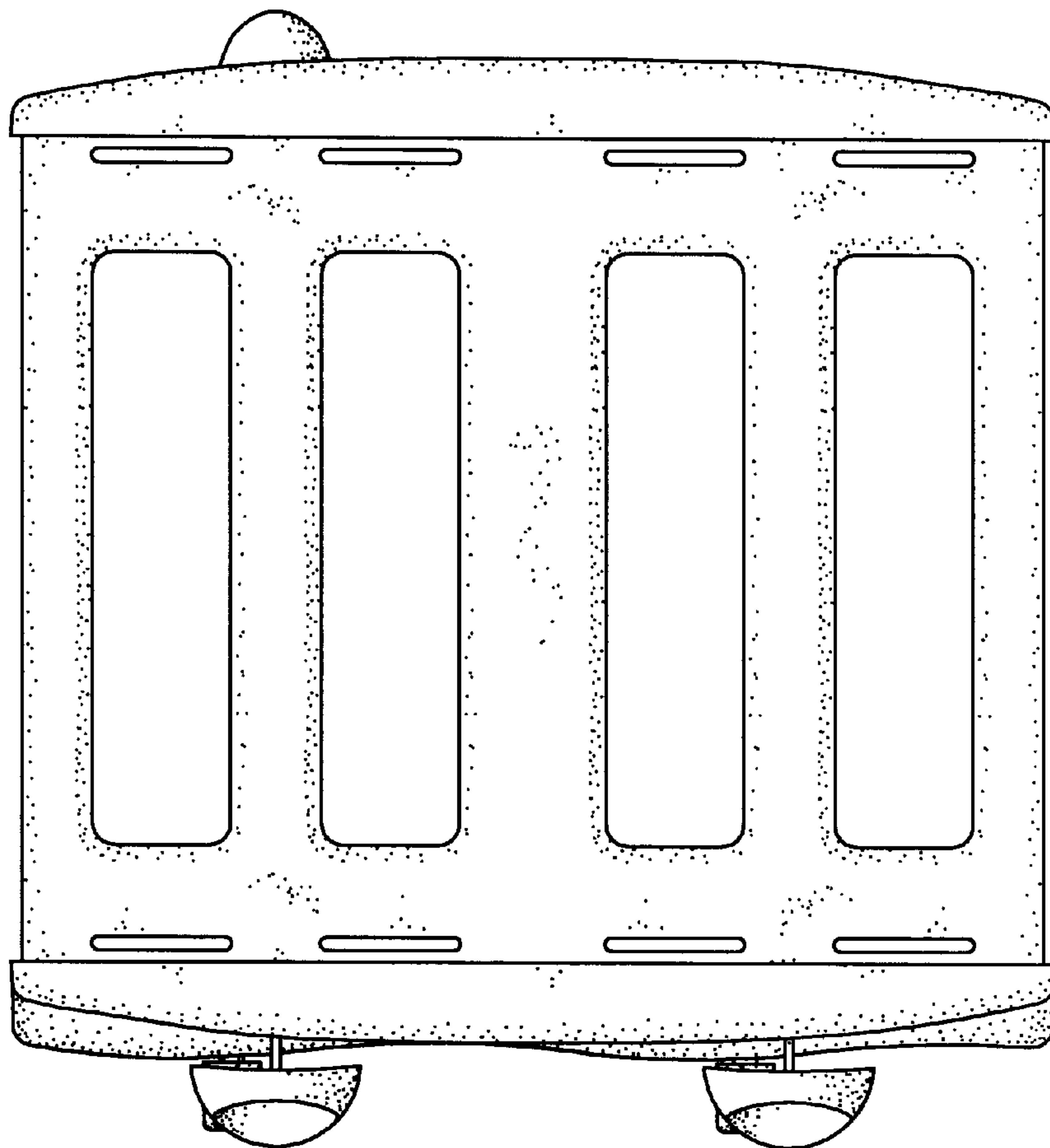


FIG. 6

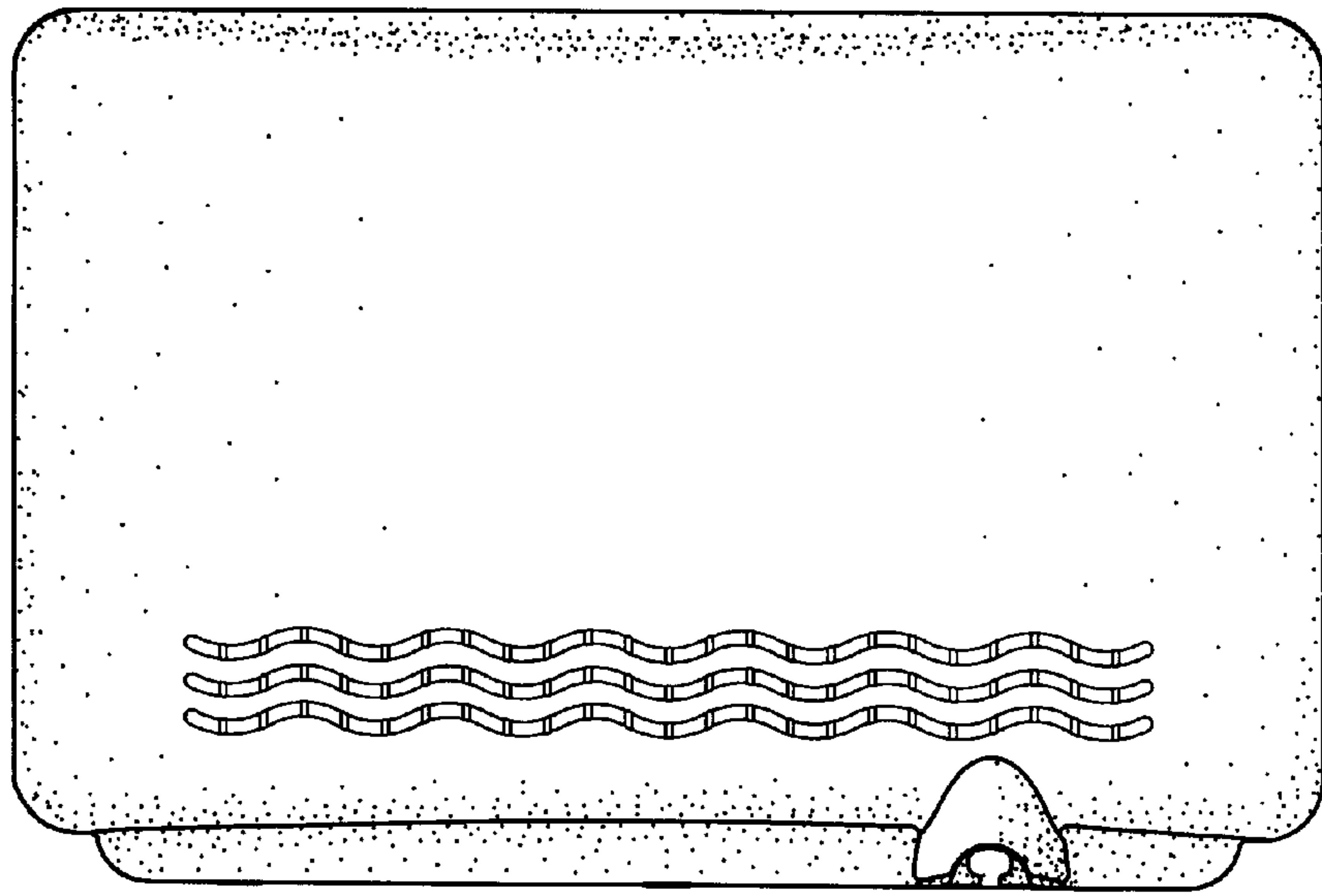


FIG. 7

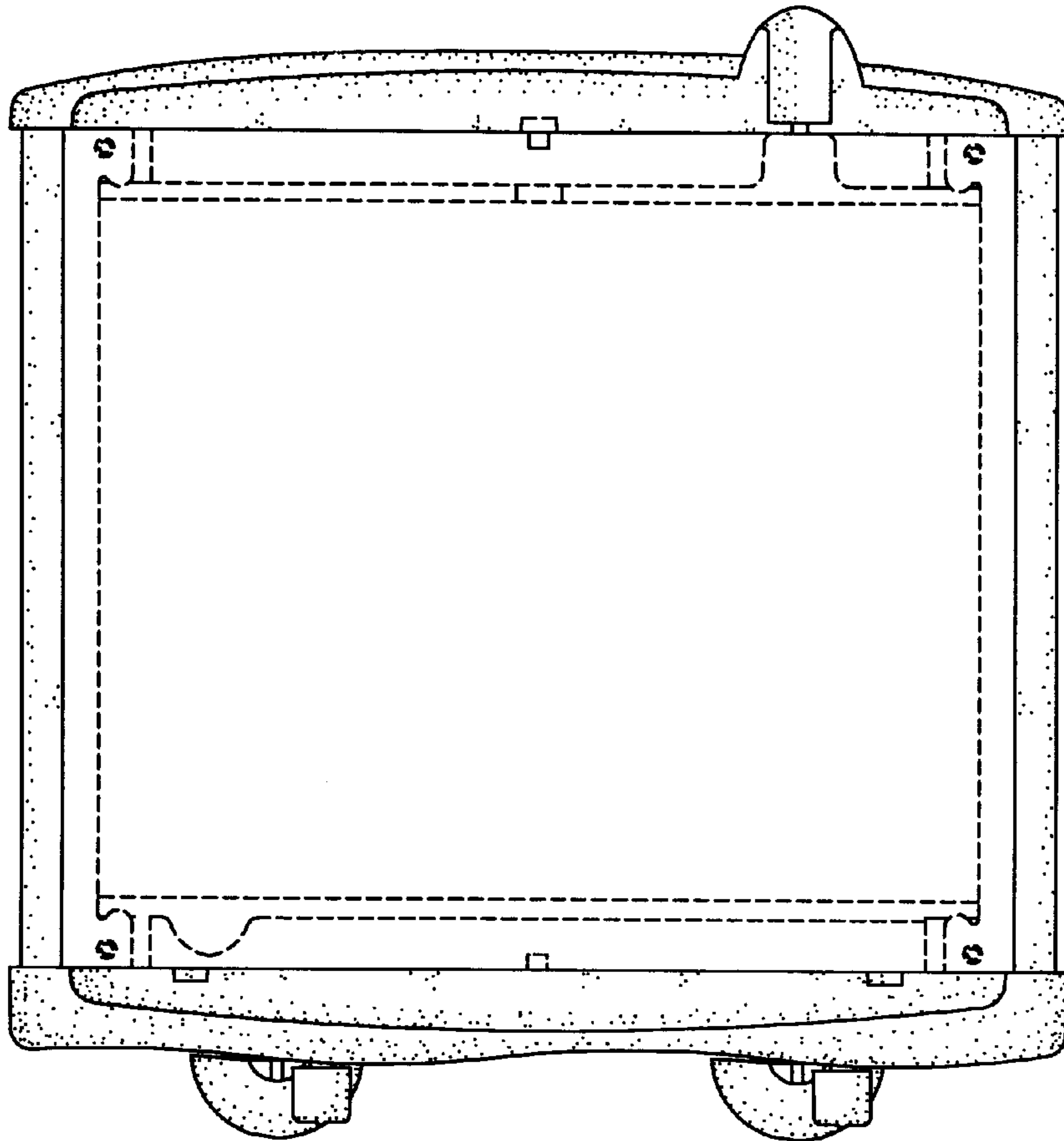


FIG. 8

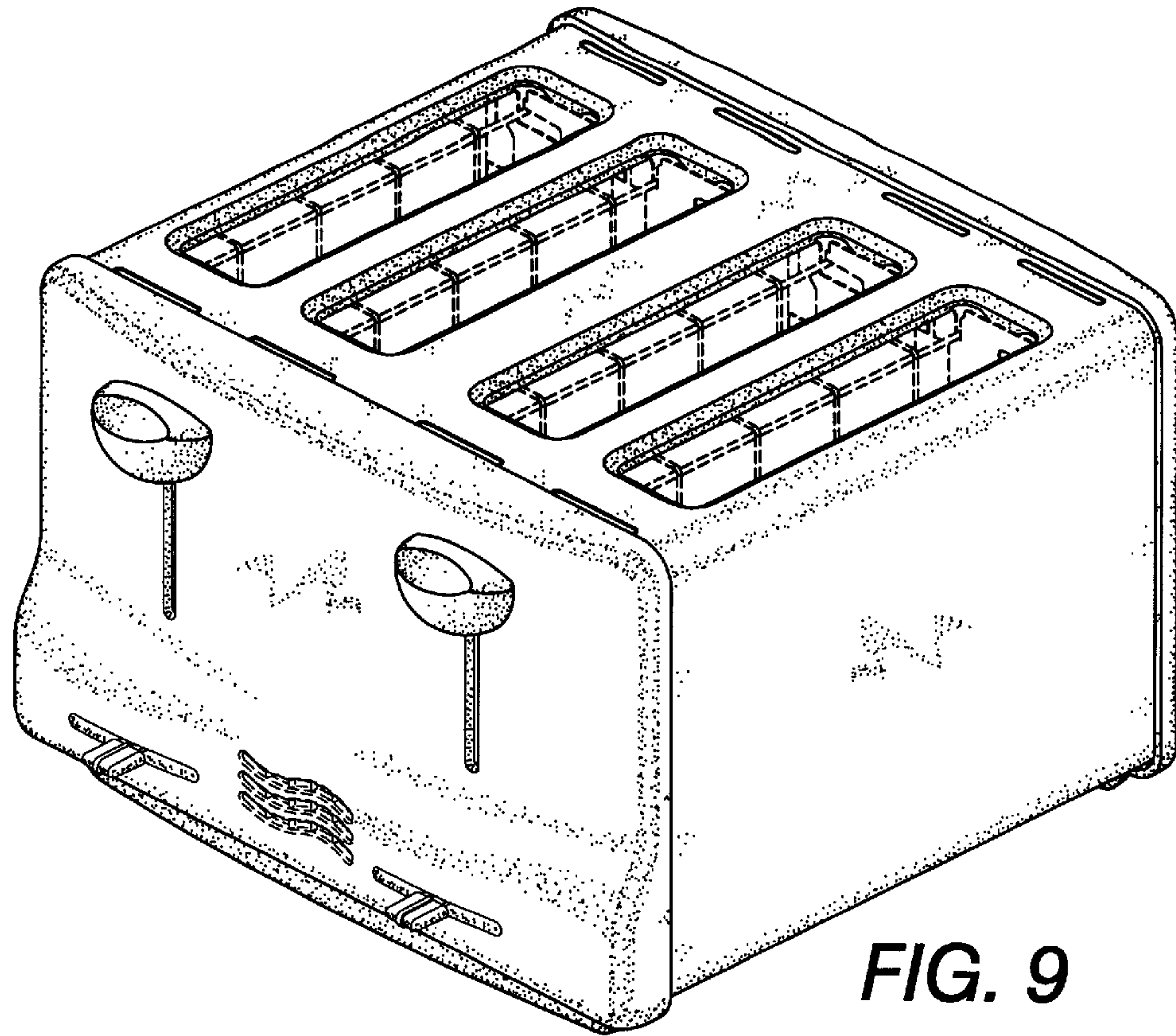


FIG. 9

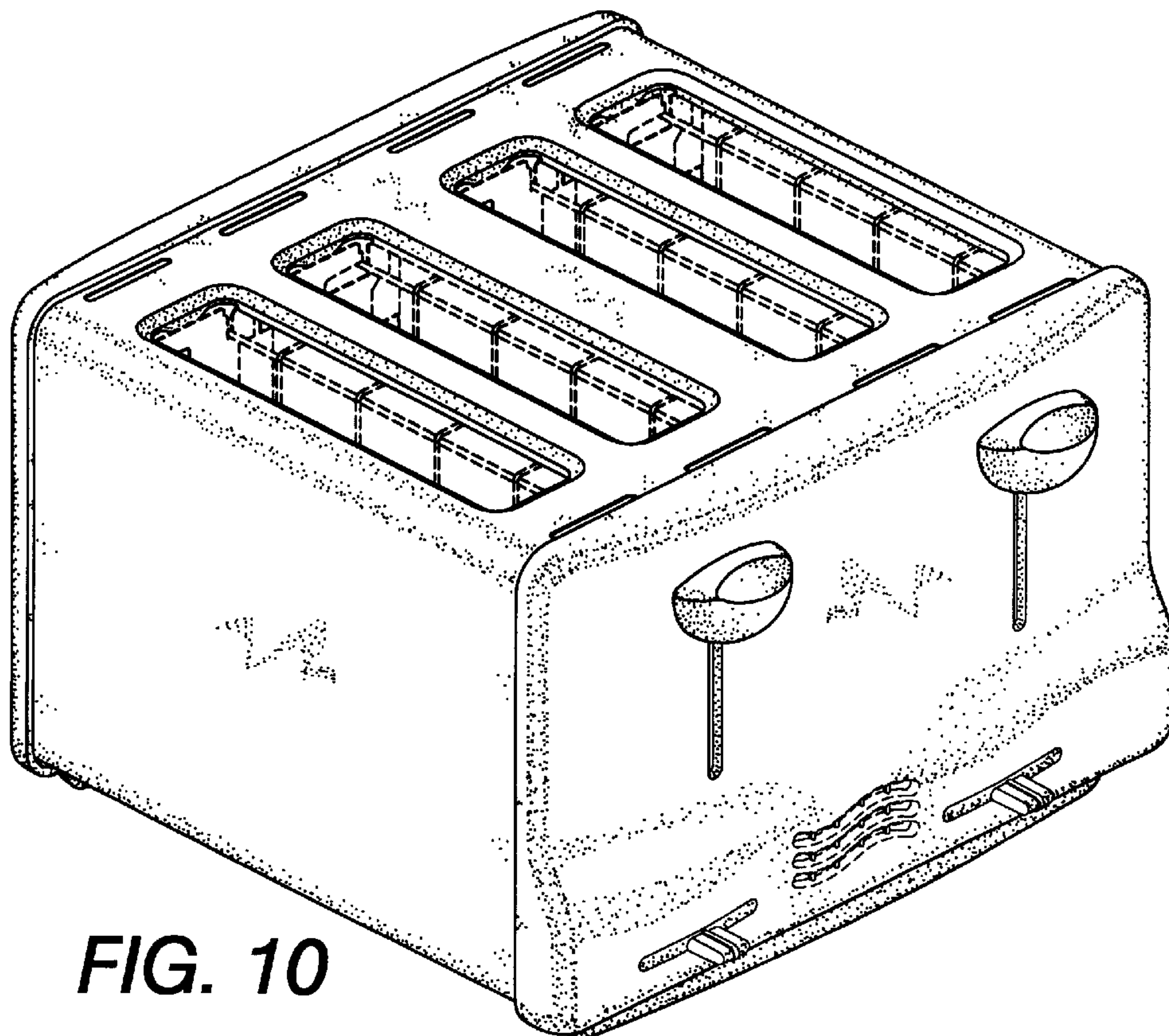


FIG. 10

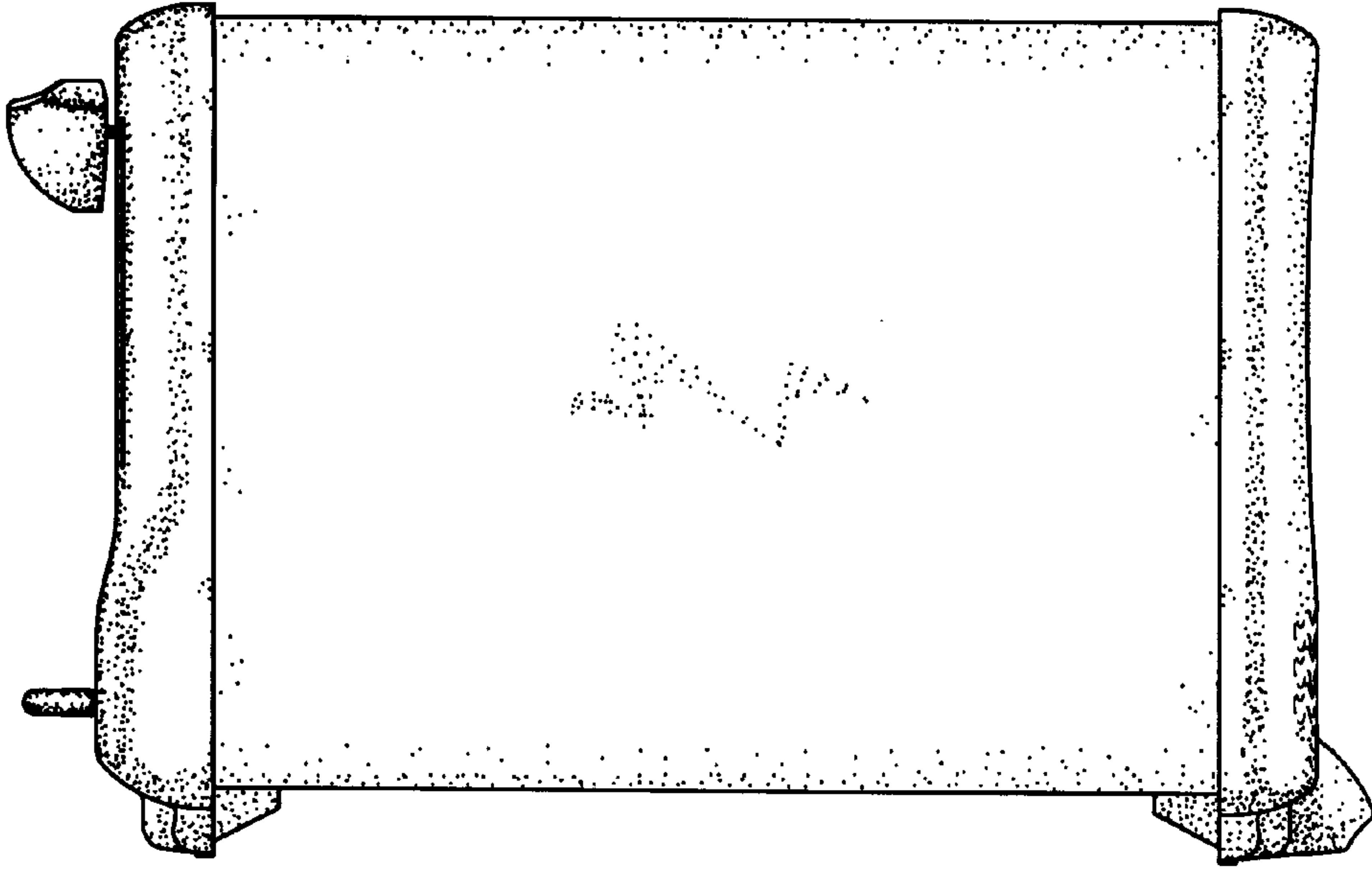


FIG. 11

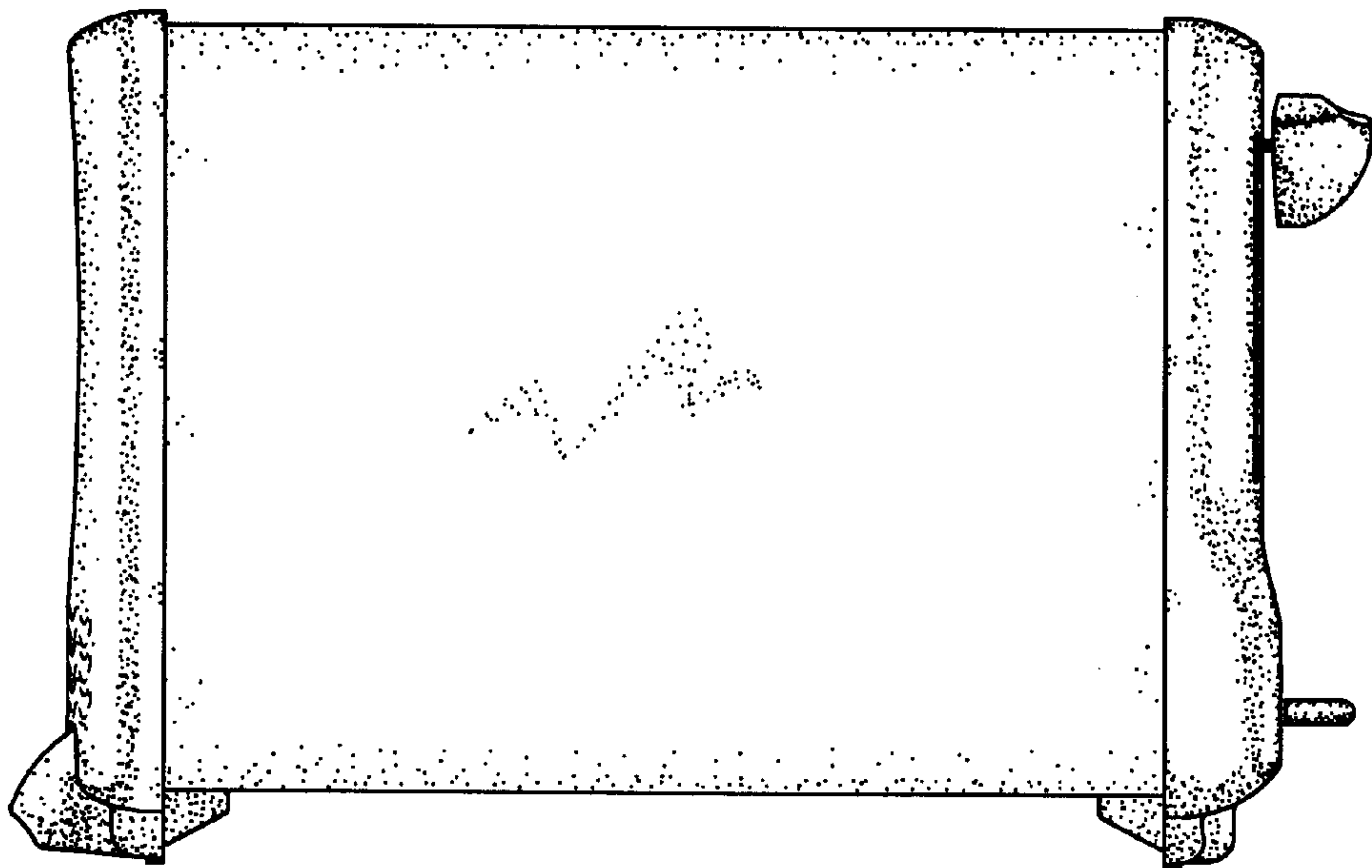


FIG. 12

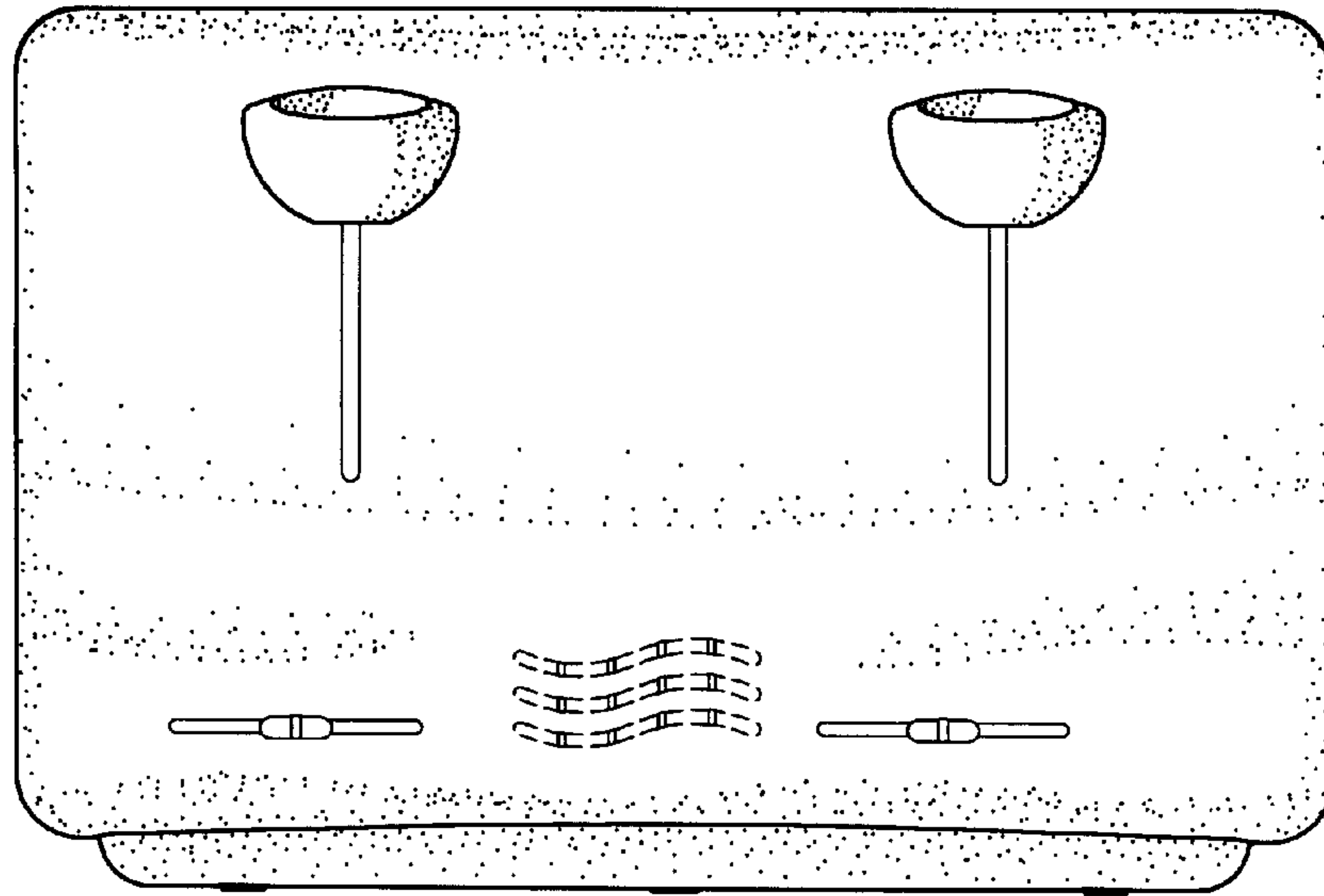


FIG. 13

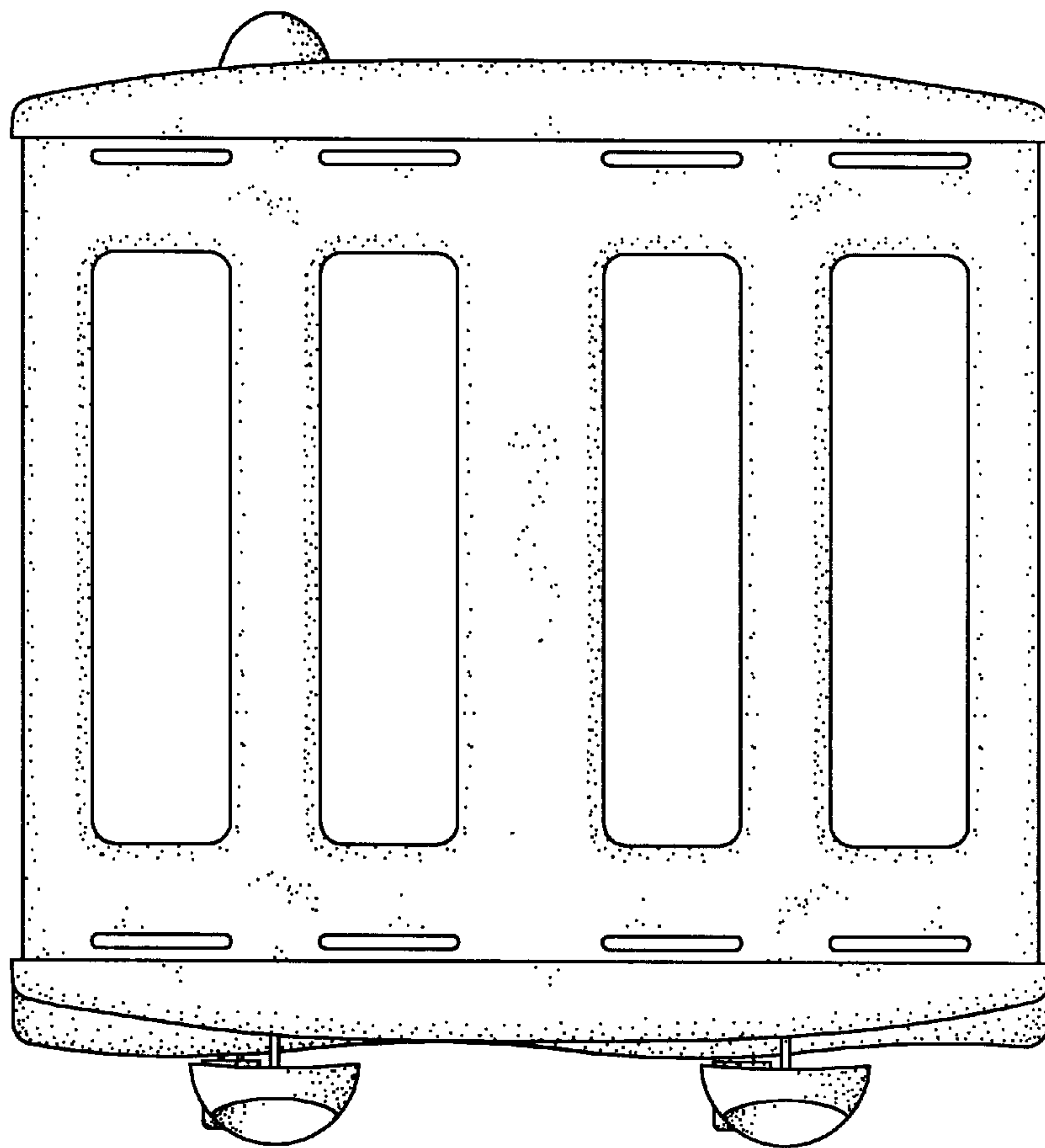


FIG. 14

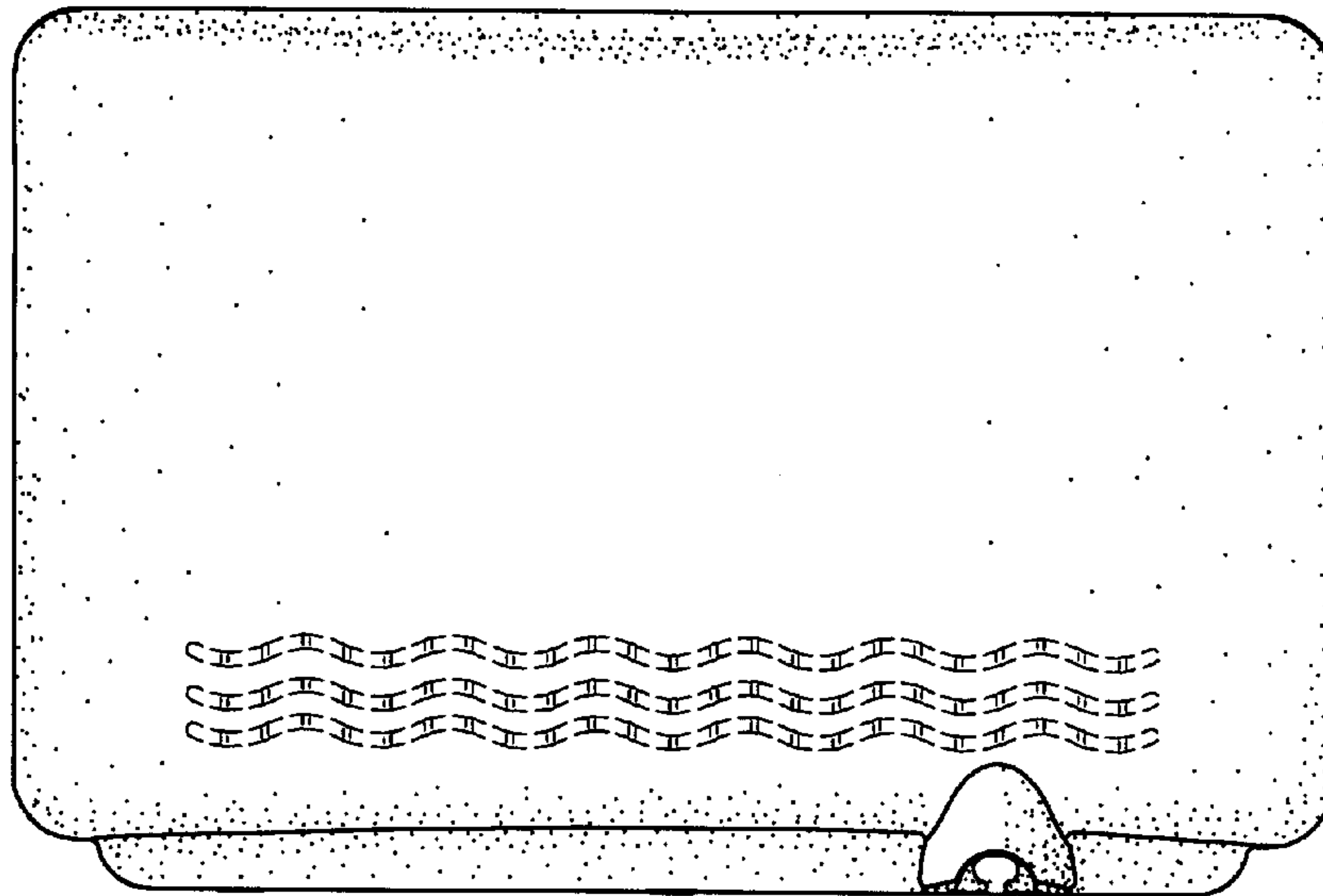


FIG. 15

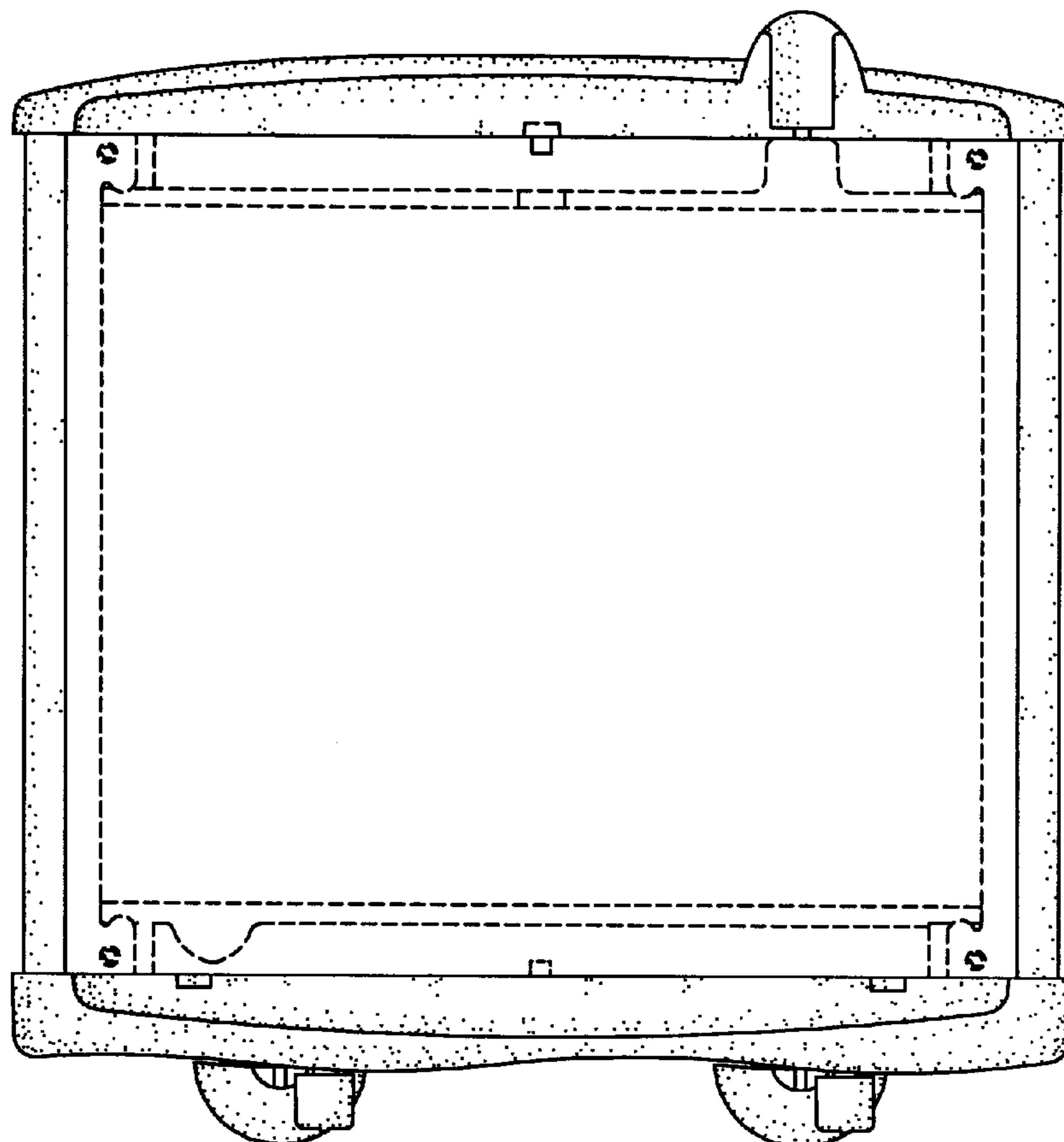


FIG. 16

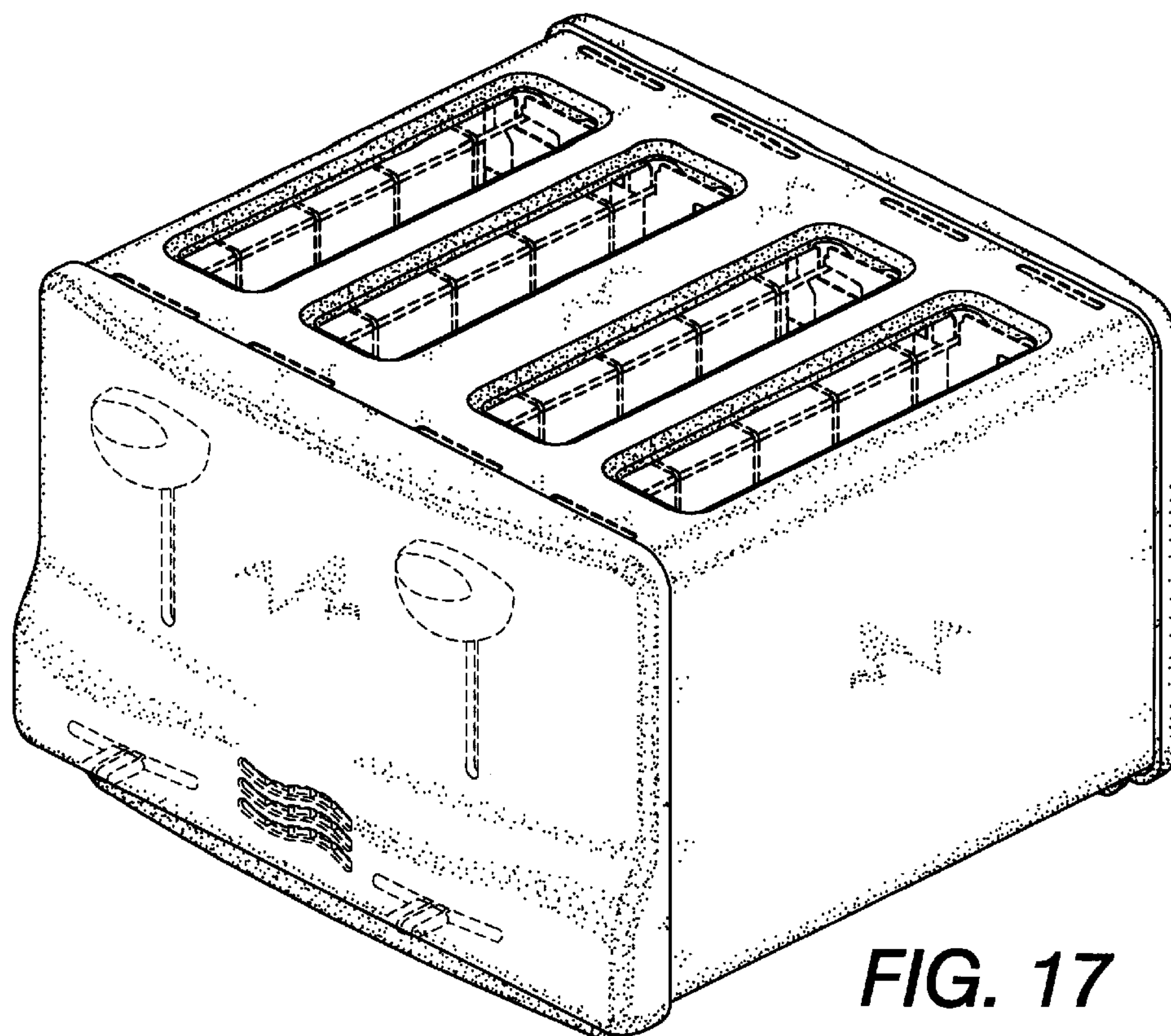


FIG. 17

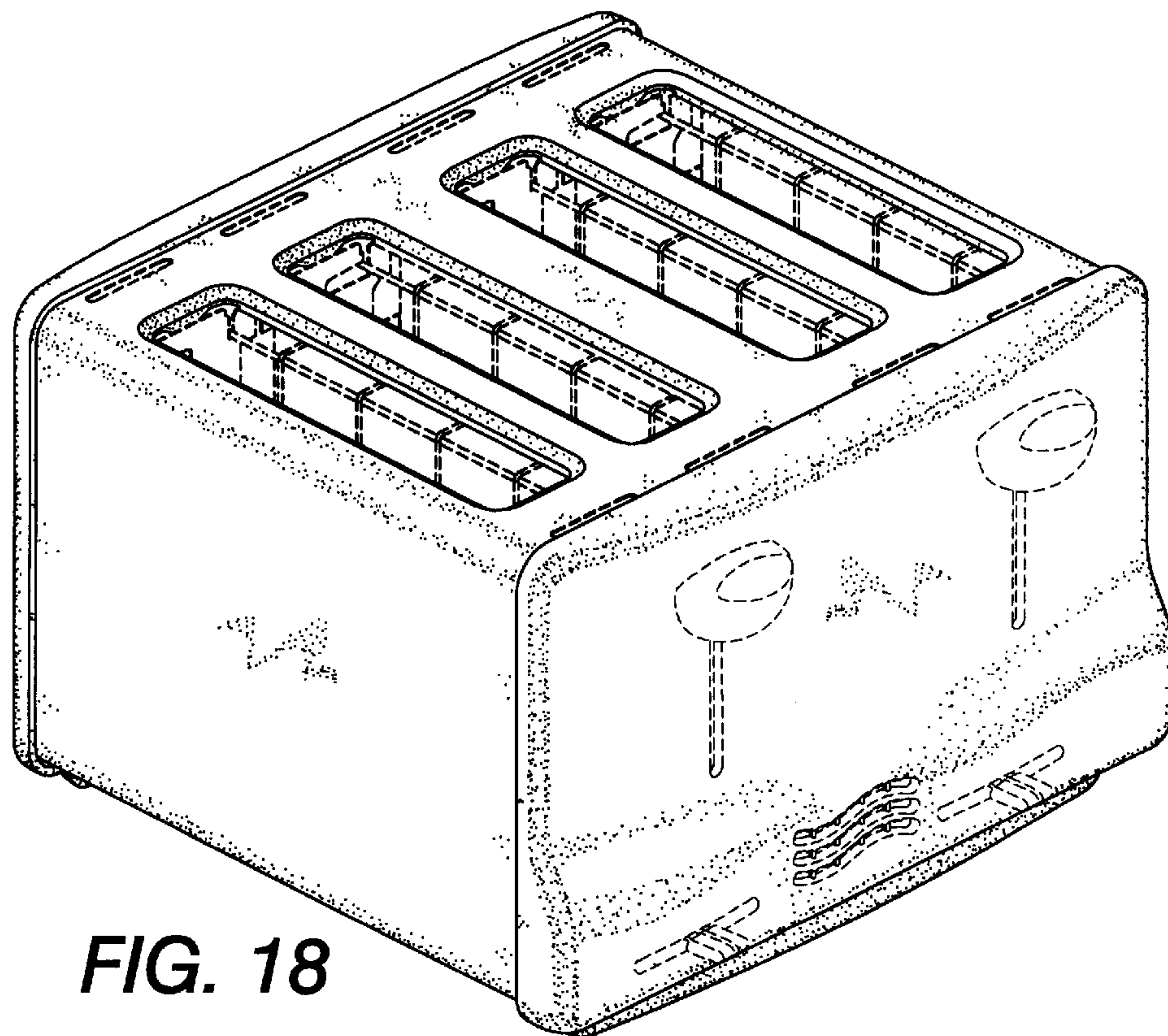


FIG. 18

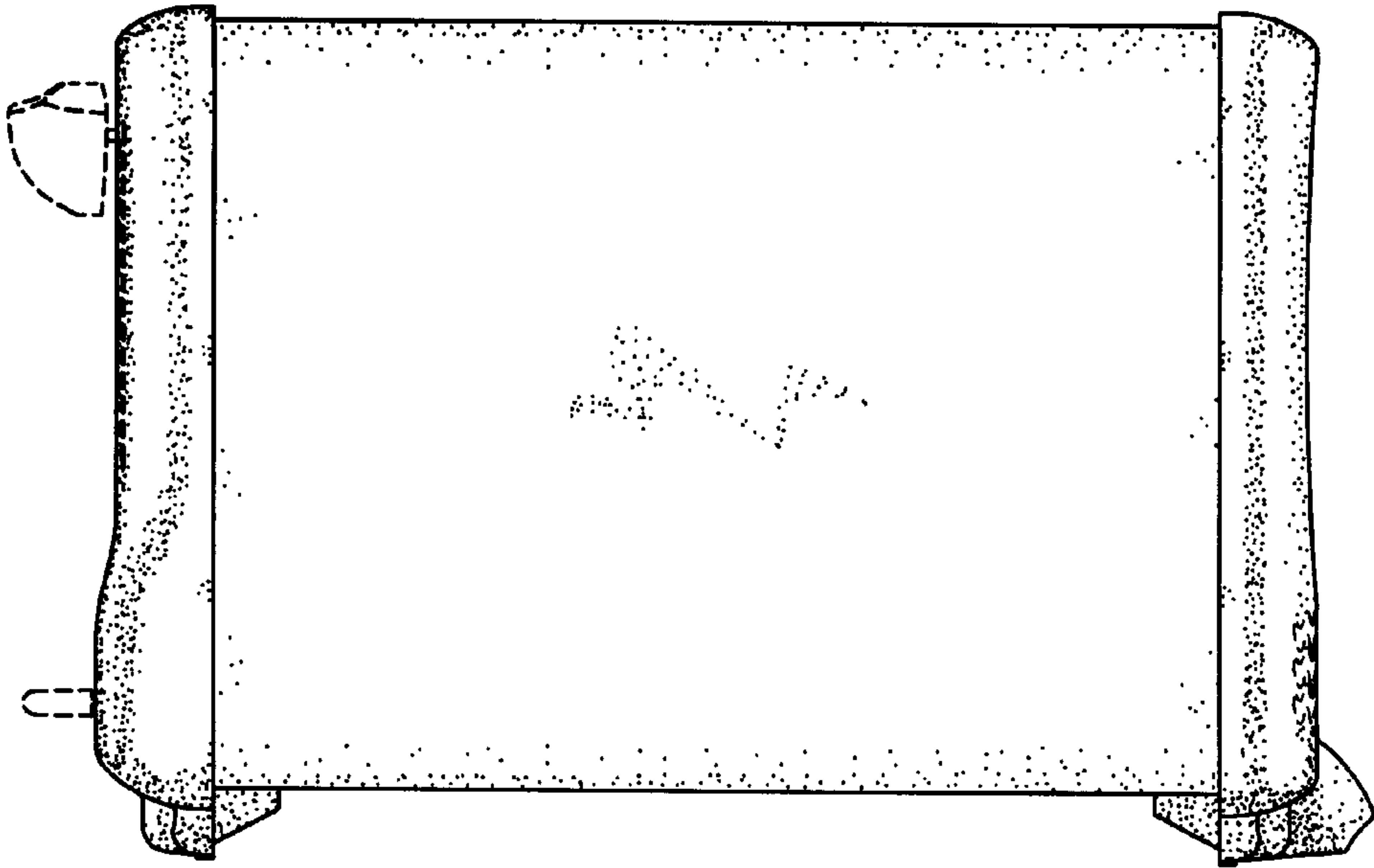


FIG. 19

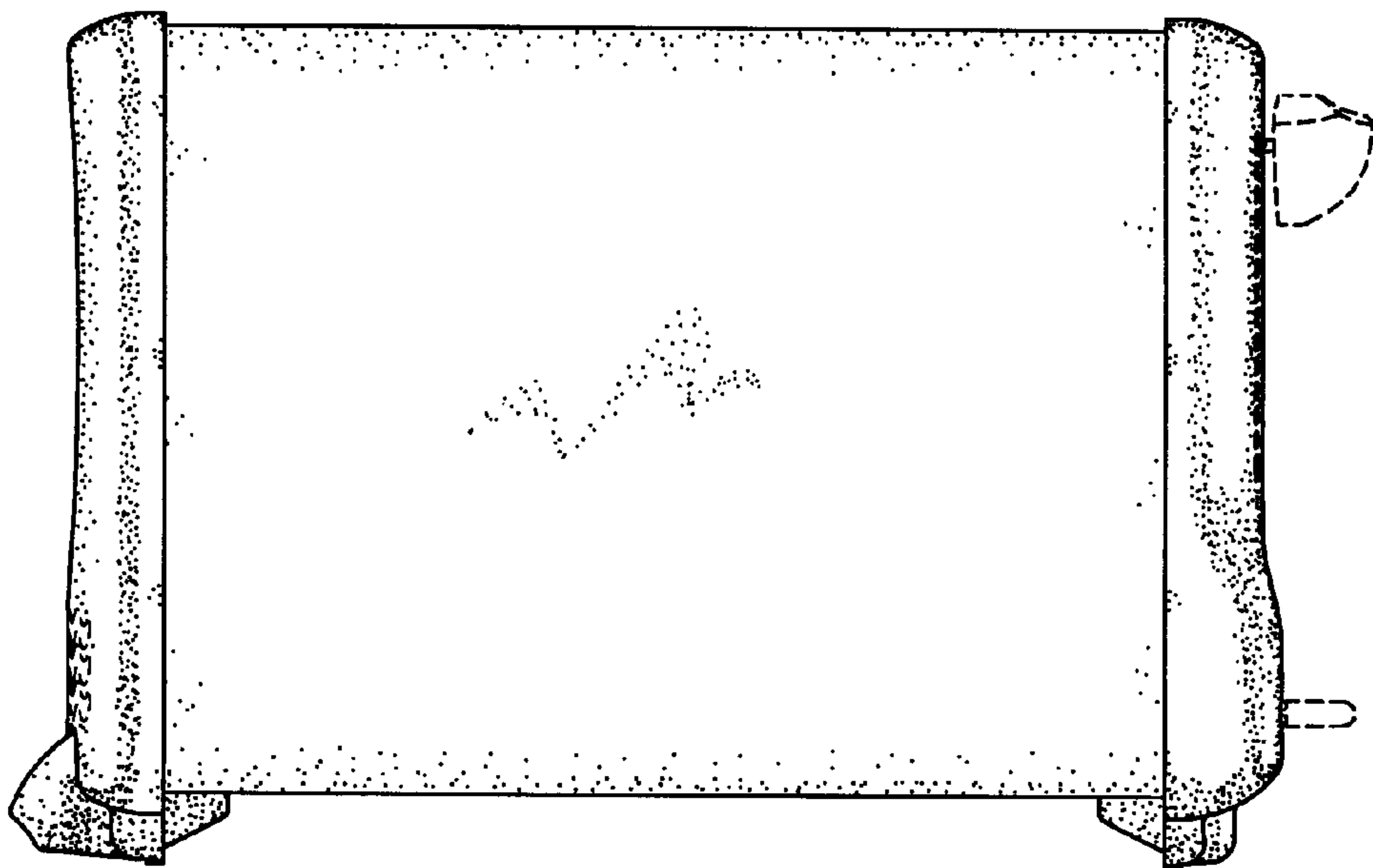


FIG. 20

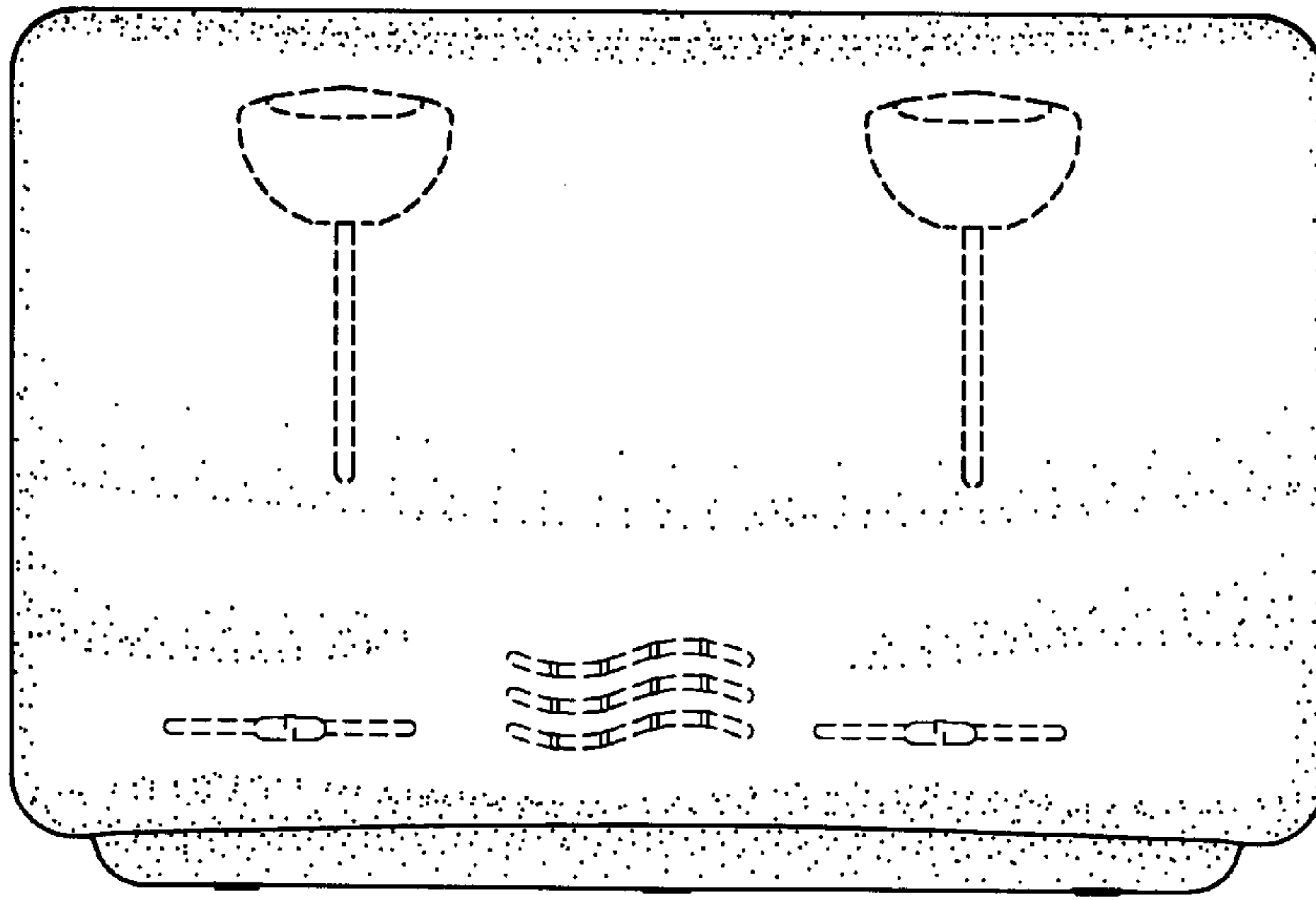


FIG. 21

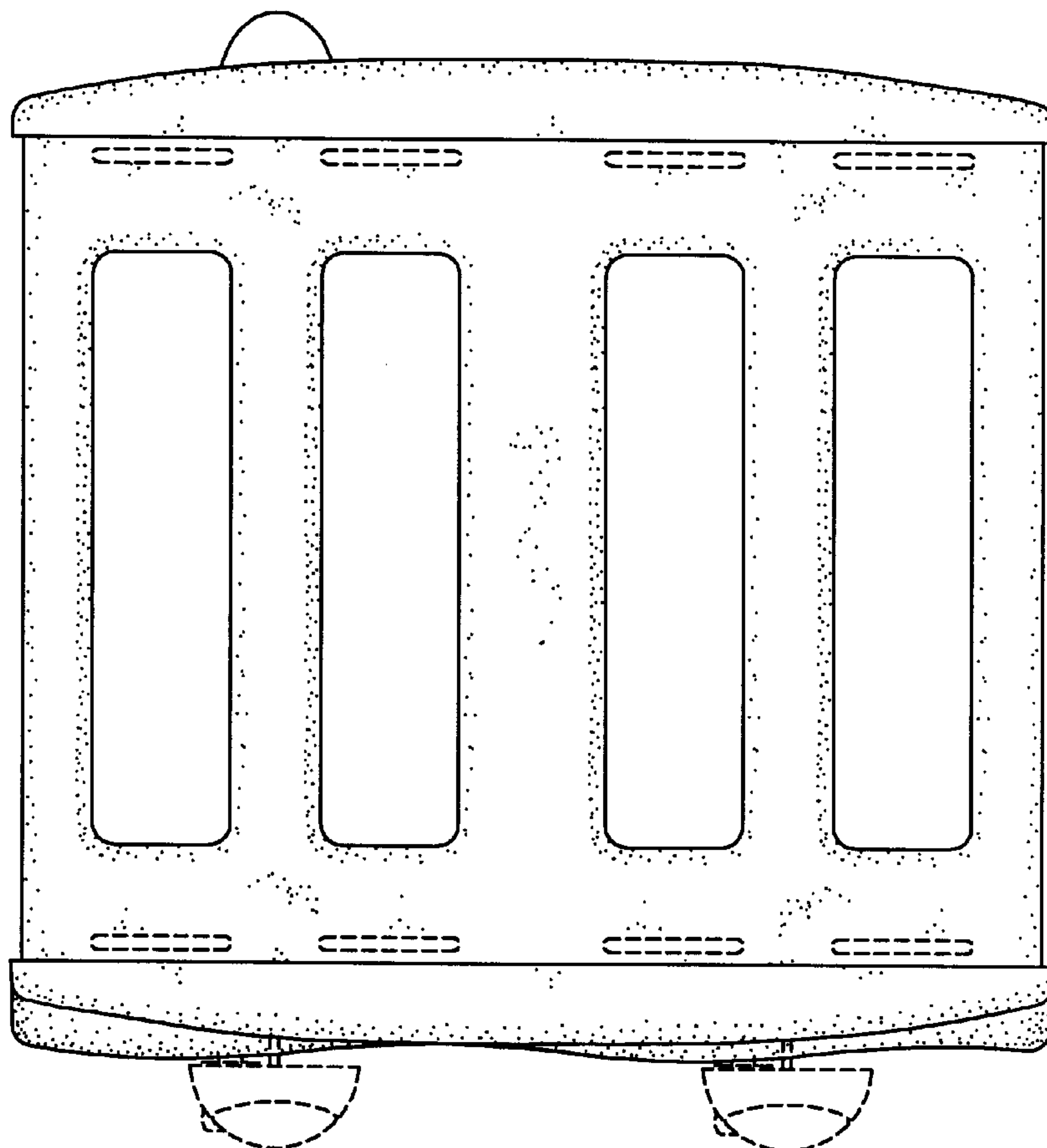


FIG. 22

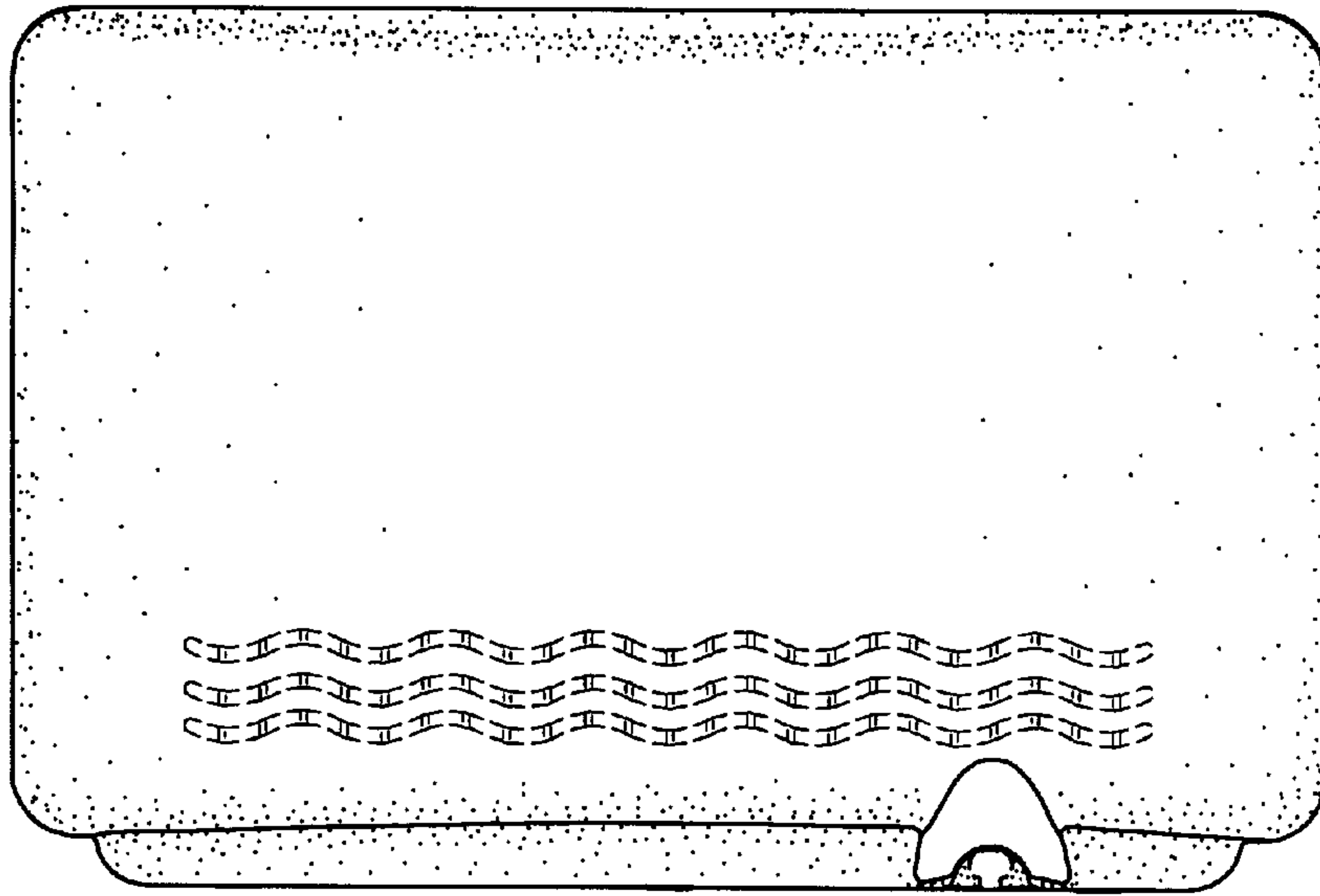


FIG. 23

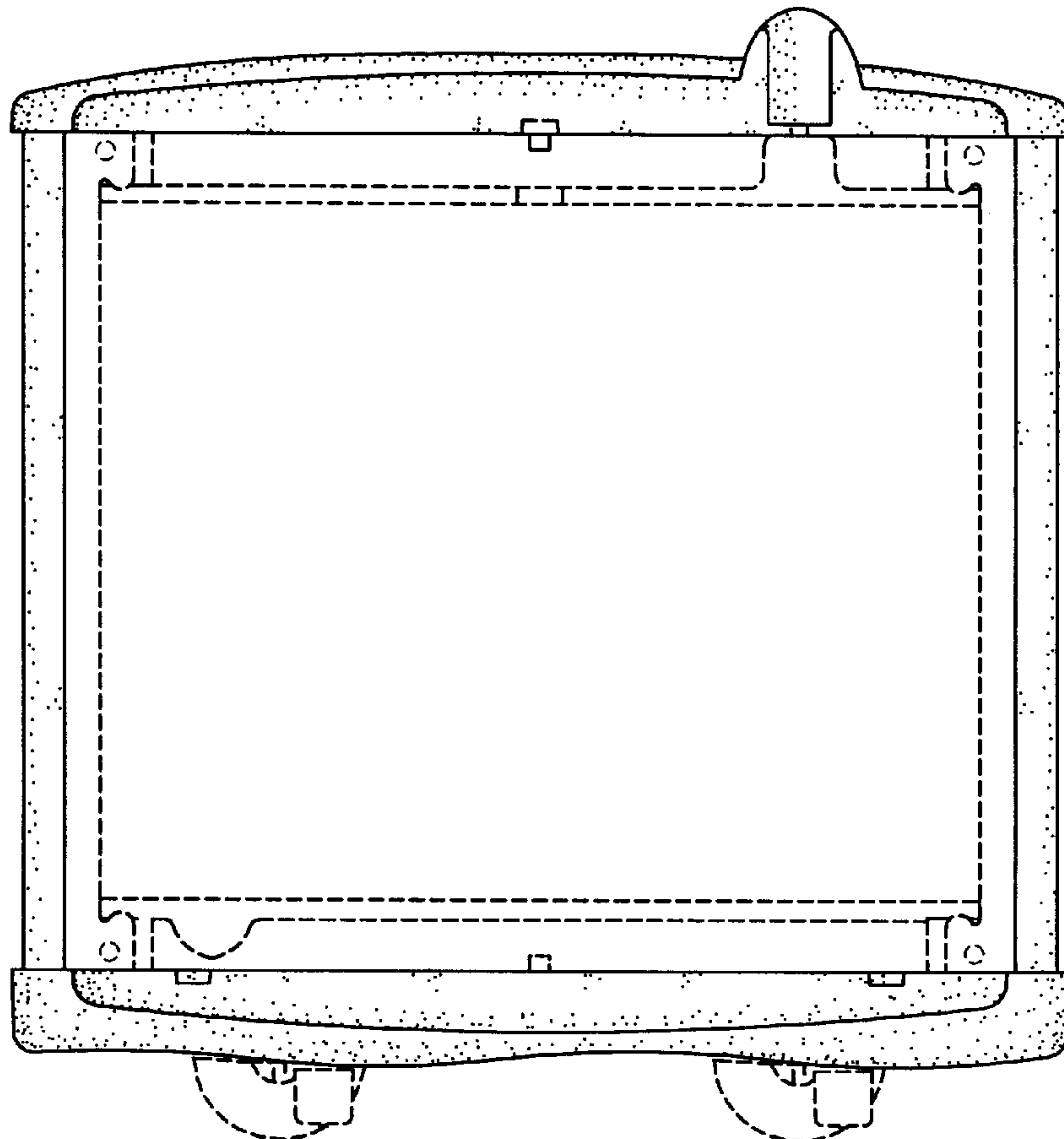


FIG. 24