



US00D422831S

United States Patent [19]

Lucas et al.

[11] Patent Number: Des. 422,831

[45] Date of Patent: ** Apr. 18, 2000

[54] PITCHER

[75] Inventors: Eric E. Lucas, Bedford Heights; Marc L. Vitantonio, S. Russell, both of Ohio

[73] Assignee: Signature Brands, Inc., Glenwillow, Ohio

[**] Term: 14 Years

[21] Appl. No.: 29/086,048

[22] Filed: Apr. 3, 1998

[51] LOC (6) Cl. 07-01

[52] U.S. Cl. D7/319; D7/318; D7/317

[58] Field of Search D7/312, 314, 317, D7/318, 319, 321, 322, 598, 600, 590, 305, 307, 310, 311, 308; 99/289 R, 295, 279; 210/474; 222/454, 465.1, 467

[56] **References Cited**

U.S. PATENT DOCUMENTS

D. 261,344	10/1981	Maass	D7/309
D. 299,608	1/1989	Knochner	D7/309
D. 303,903	10/1989	Ueda et al.	D7/309
D. 314,881	2/1991	Wonggem et al.	D7/309
D. 318,973	8/1991	Hasslacher	D7/308
D. 322,007	12/1991	Adams et al.	D7/317

D. 326,206	5/1992	Rakocy et al.	D7/317
D. 345,881	4/1994	Maass	D7/309
D. 356,712	3/1995	Brady	D7/309
D. 369,058	4/1996	Simmons	D7/319
D. 398,473	9/1998	Henderson	D7/305
D. 403,199	12/1998	Micoley	D7/309
4,759,274	7/1988	Schmidt	99/295

Primary Examiner—M. N. Pandozzi
Attorney, Agent, or Firm—Kramer Levin Naftalis & Frankel LLP

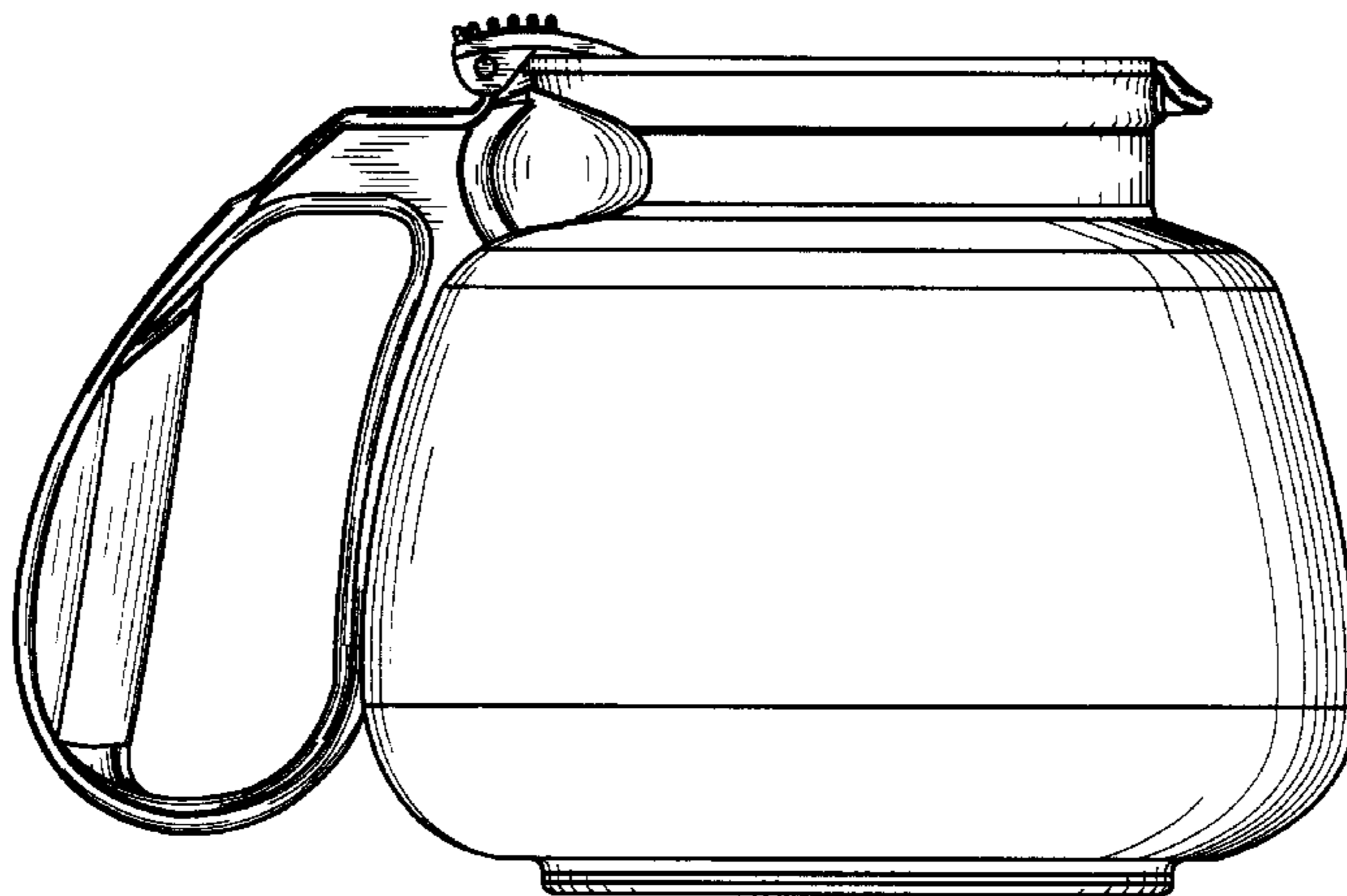
[57] **CLAIM**

The ornamental design for a pitcher, as shown and described.

DESCRIPTION

FIG. 1 is a right side elevational view of the pitcher design of the present invention;
FIG. 2 is a front side elevational view of the pitcher design of the present invention;
FIG. 3 is a rear elevational view of the pitcher design of the present invention;
FIG. 4 is a top view of the pitcher design of the present invention; and,
FIG. 5 is a bottom view of the pitcher design of the present invention.

1 Claim, 3 Drawing Sheets



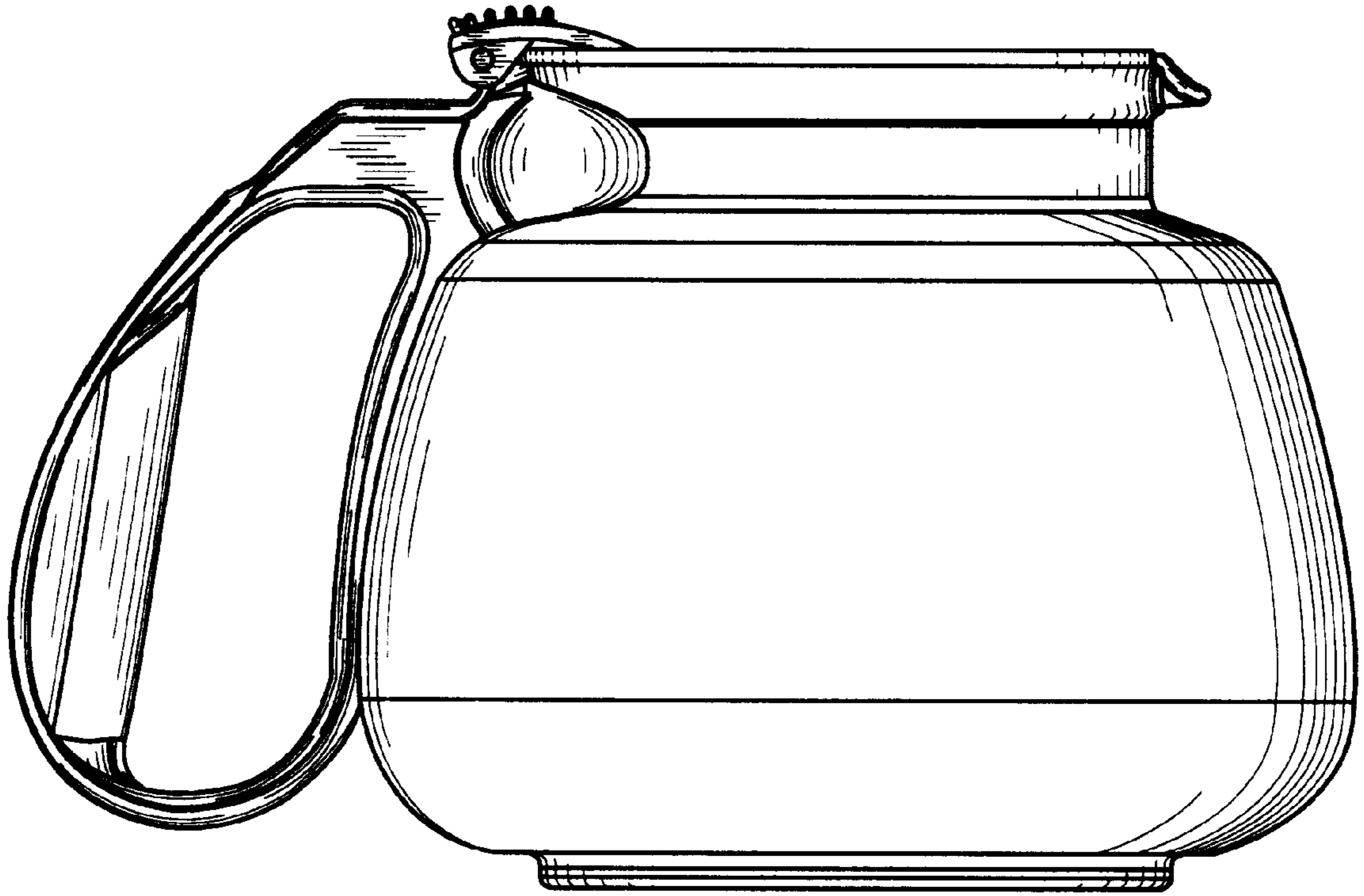


FIG. 1

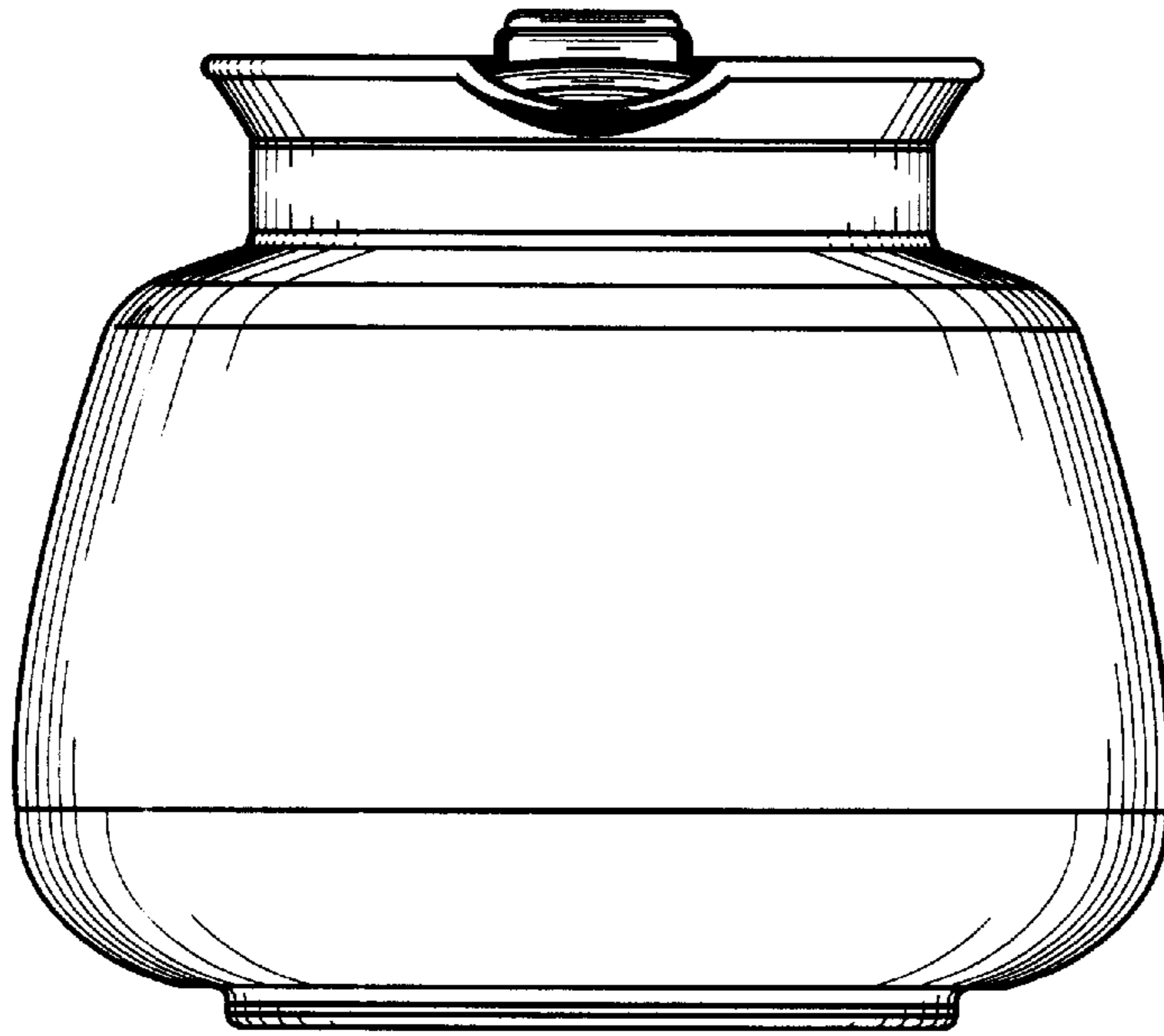


FIG. 2

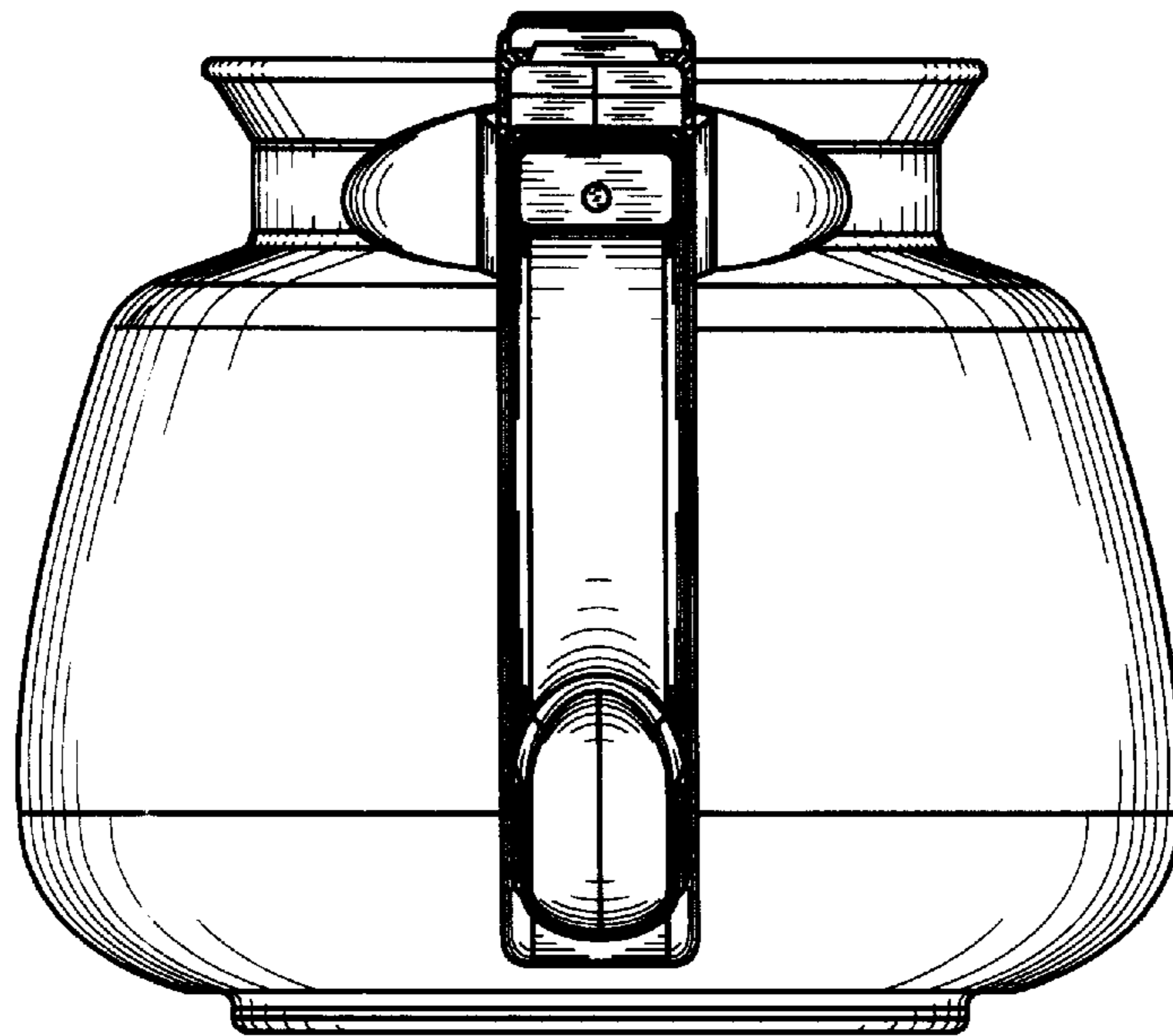


FIG. 3

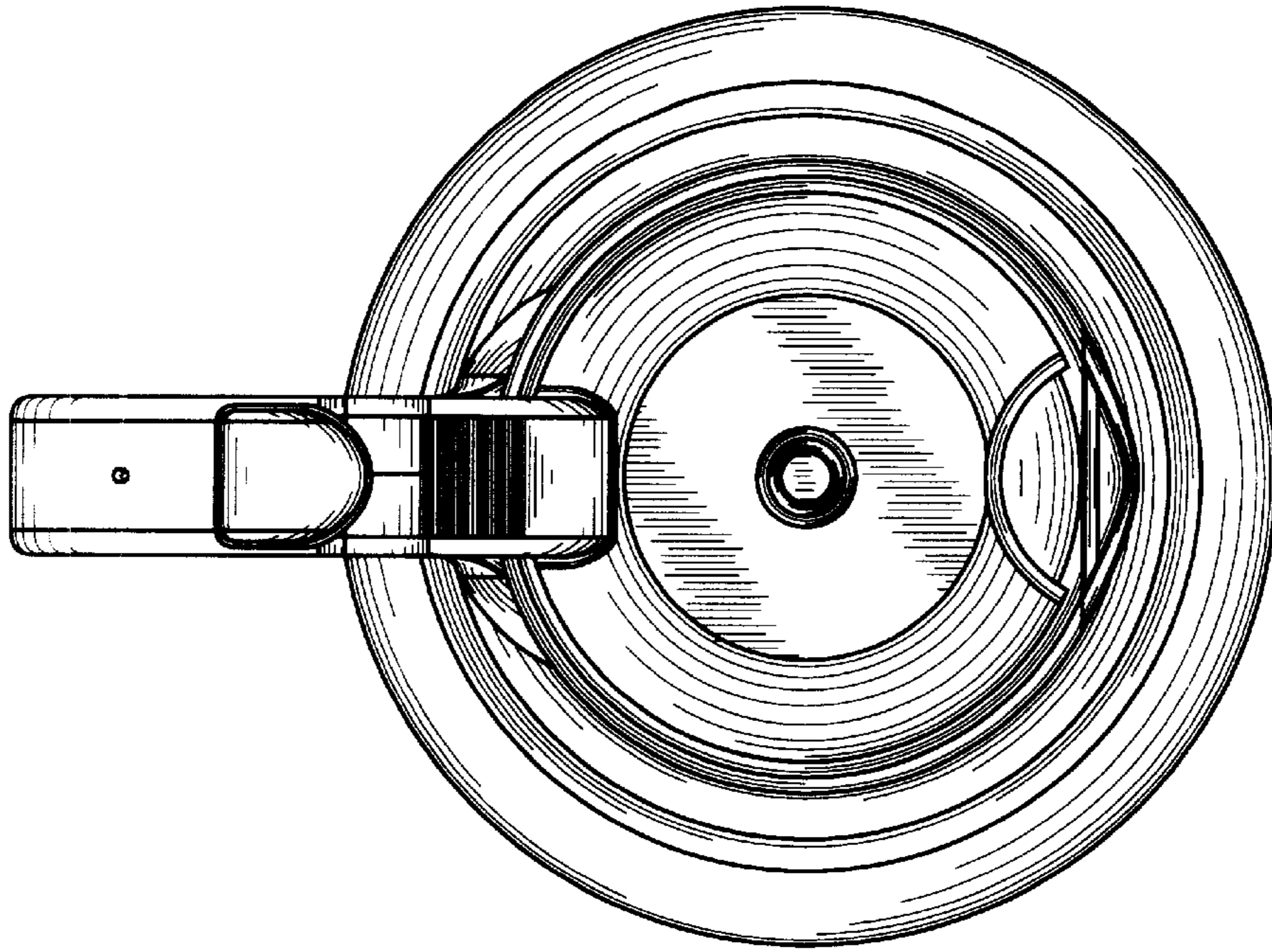


FIG. 4

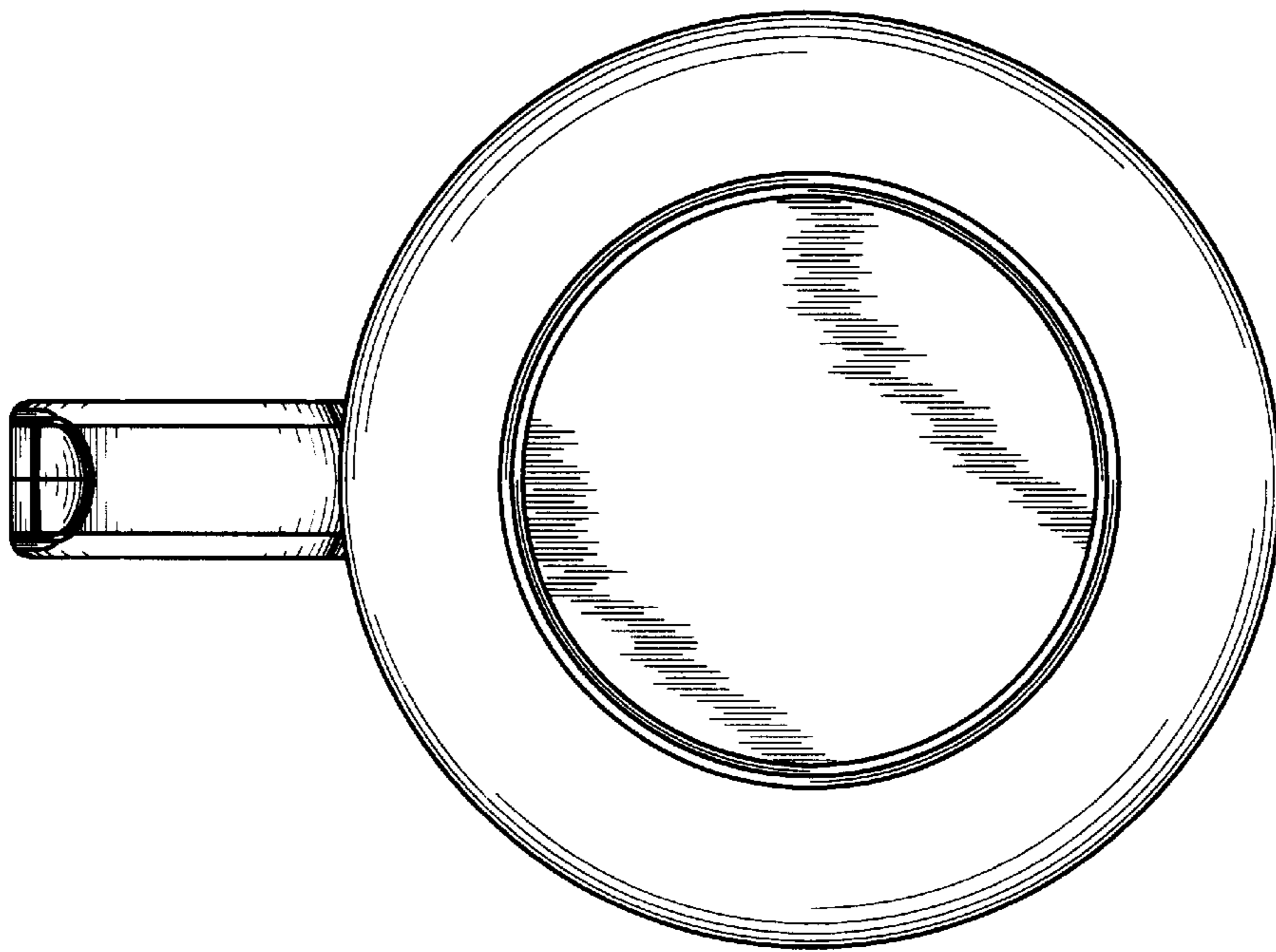


FIG. 5