



US00D422829S

United States Patent [19] Kritzinger

[11] **Patent Number: Des. 422,829**

[45] **Date of Patent: ** Apr. 18, 2000**

[54] **LOUNGER**

2,013,481 9/1935 Stonehill D6/601
3,192,540 7/1965 Swank 5/655.3
5,572,757 11/1996 O'Sullivan 5/636

[76] Inventor: **Alexandra Josephine Kritzinger**, 39
Brynheulog Terrace, Tylorstown,
Ferndale, Mid-Glamorgan, CF43 3DW,
United Kingdom

Primary Examiner—Janice E. Seeger
Attorney, Agent, or Firm—King and Schickli

[**] Term: **14 Years**

[57] **CLAIM**

[21] Appl. No.: **29/105,730**

The ornamental design for a lounger, as shown, and described.

[22] Filed: **May 28, 1999**

DESCRIPTION

[30] **Foreign Application Priority Data**

Dec. 1, 1998 [GB] United Kingdom 2079522

[51] **LOC (6) Cl.** **06-09**

[52] **U.S. Cl.** **D6/595; D6/596; D6/601**

[58] **Field of Search** D6/595, 596, 601,
D6/604, 605, 382, 383; 5/630, 636, 637,
645, 652, 653, 655, 655.3, 655.9, 656,
417, 419, 420

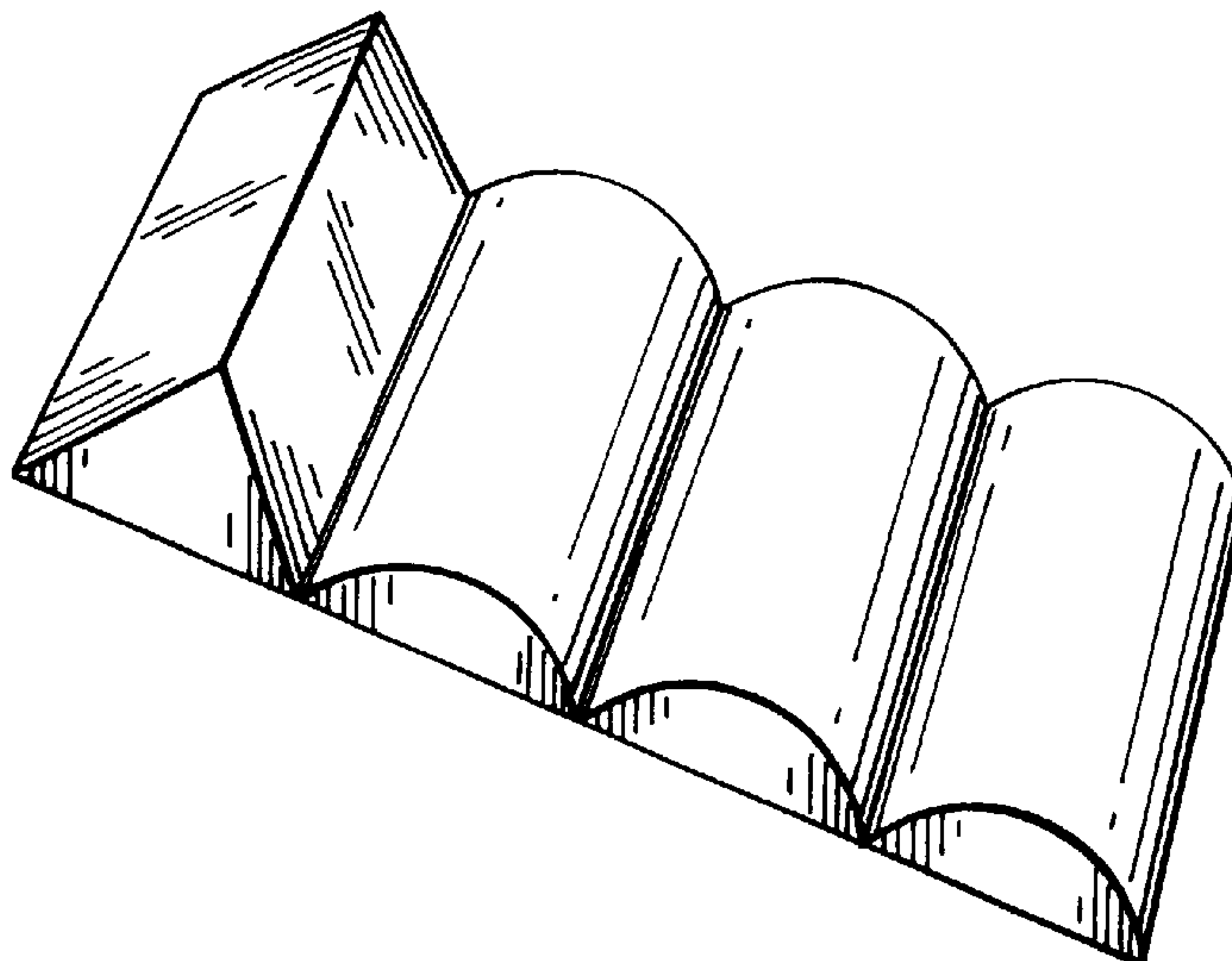
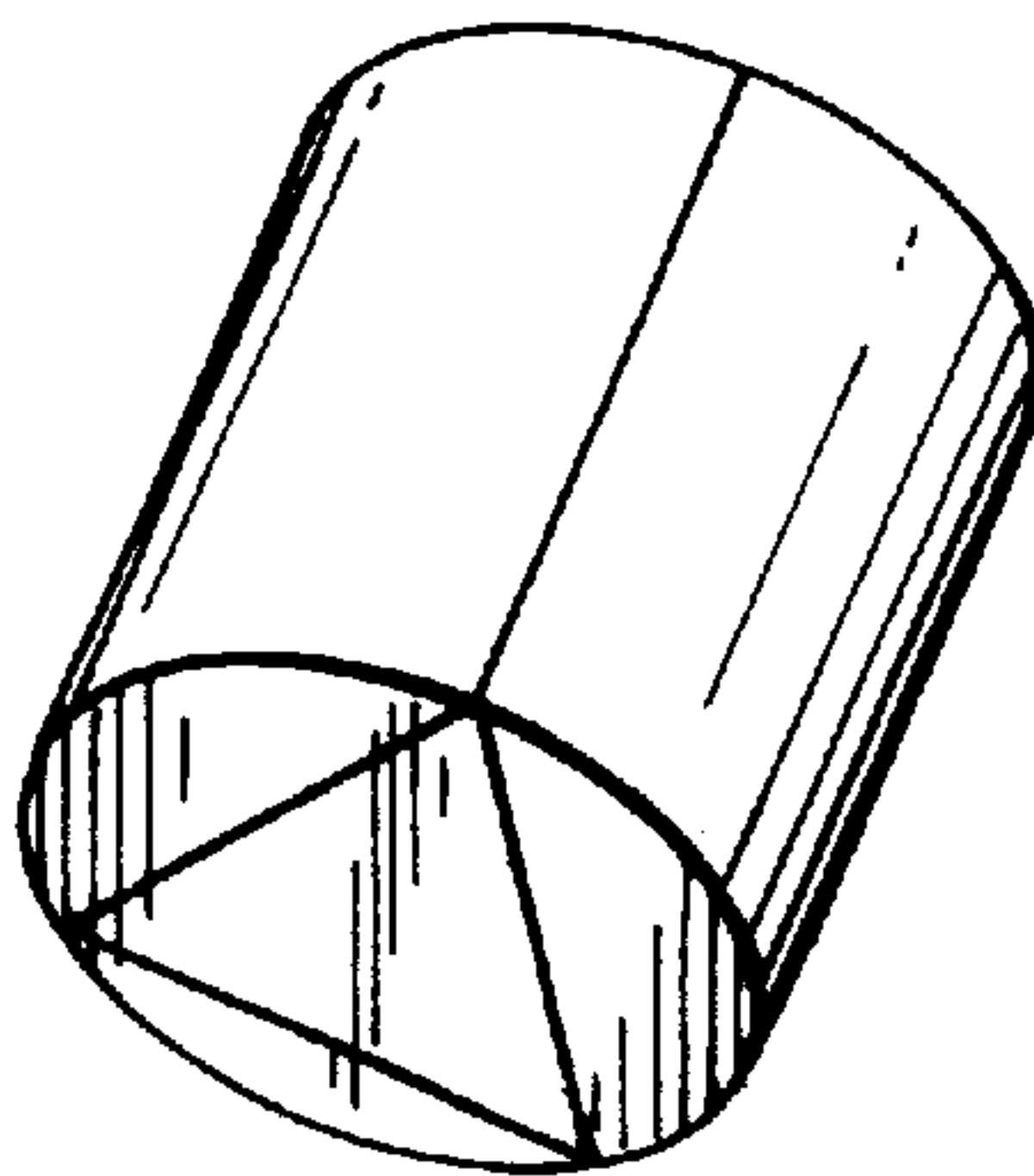
FIG. 1 is a perspective view (folded).
FIG. 2 is a perspective view (unfolded).
FIG. 3 is a plan view (folded).
FIG. 4 is a plan view (unfolded).
FIG. 5 is a front view (folded).
FIG. 6 is a front view (unfolded).
FIG. 7 is a side view (folded).
FIG. 8 is a side view (unfolded).
FIG. 9 is an opposite side view (unfolded).
FIG. 10 is an underneath plan view (folded); and,
FIG. 11 is an underneath plan view (unfolded).

[56] **References Cited**

U.S. PATENT DOCUMENTS

D. 341,509 11/1993 Evans D6/502

1 Claim, 3 Drawing Sheets



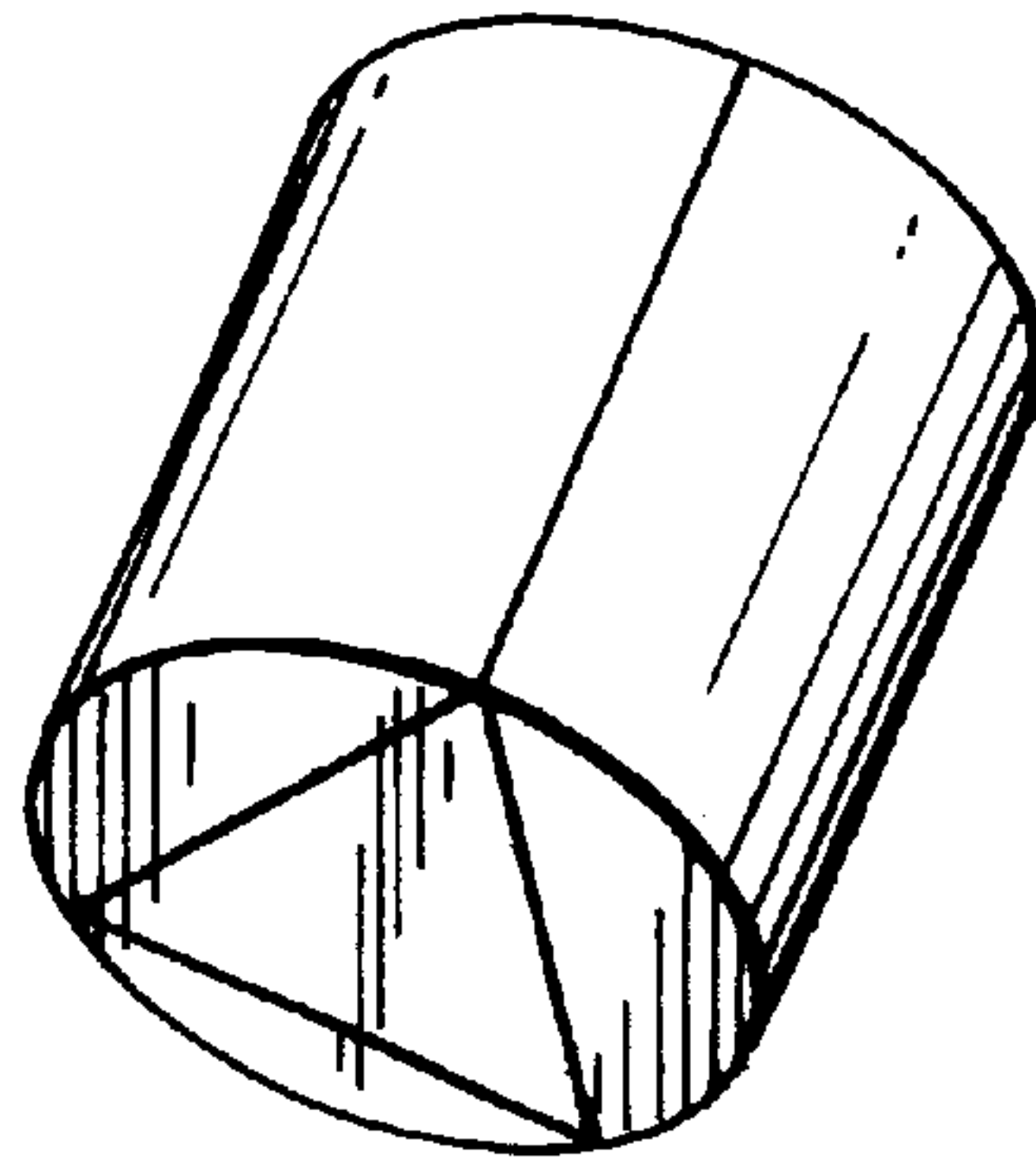


Fig. 1

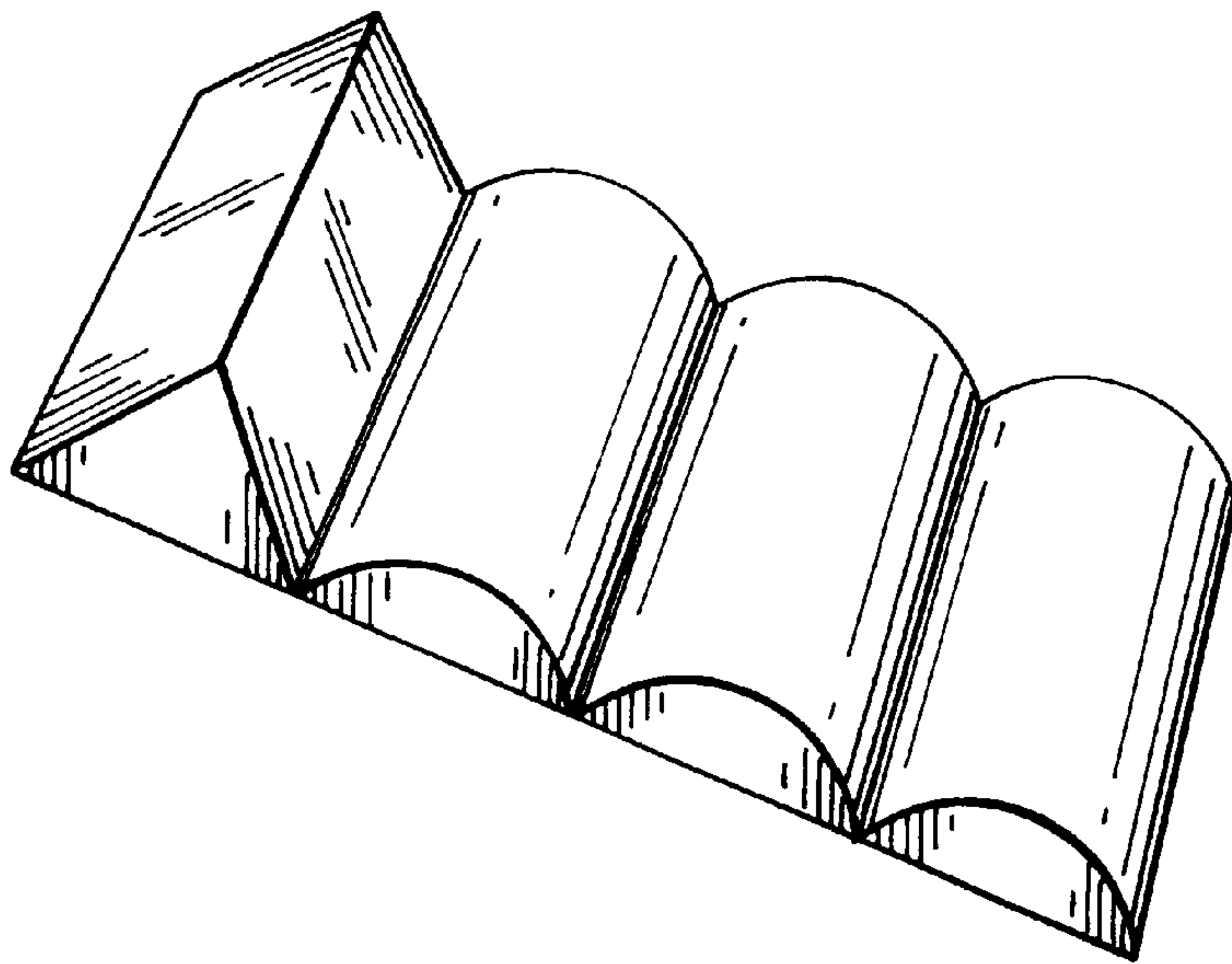


Fig. 2

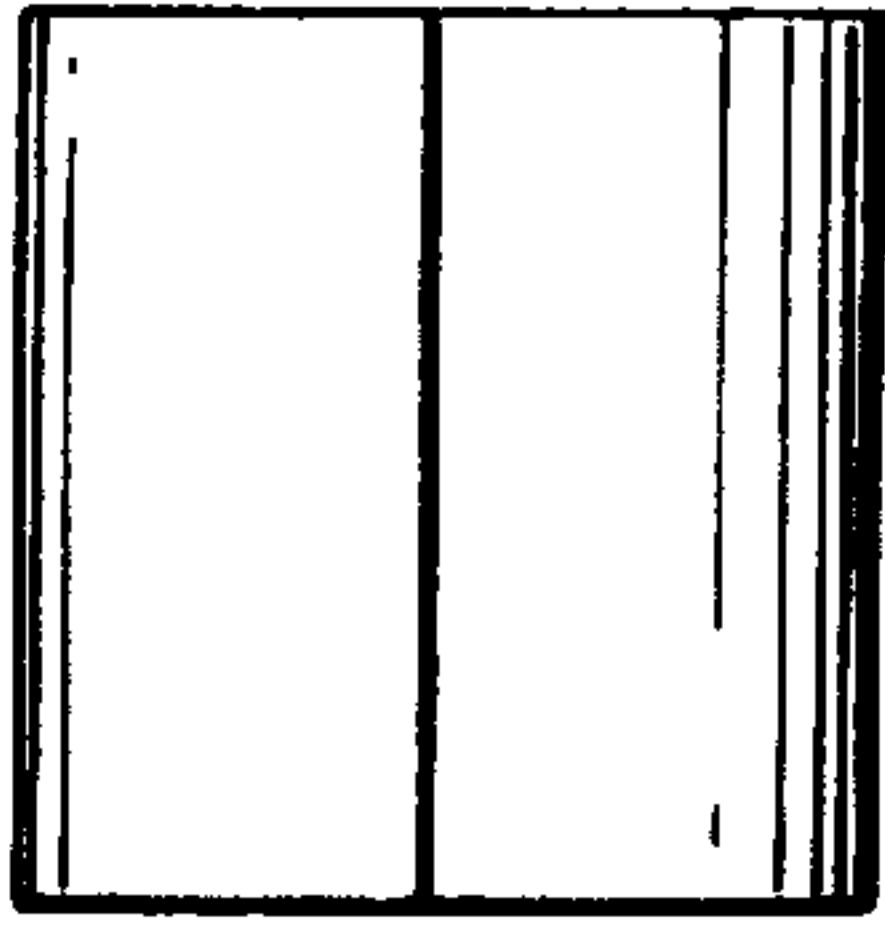


Fig. 3

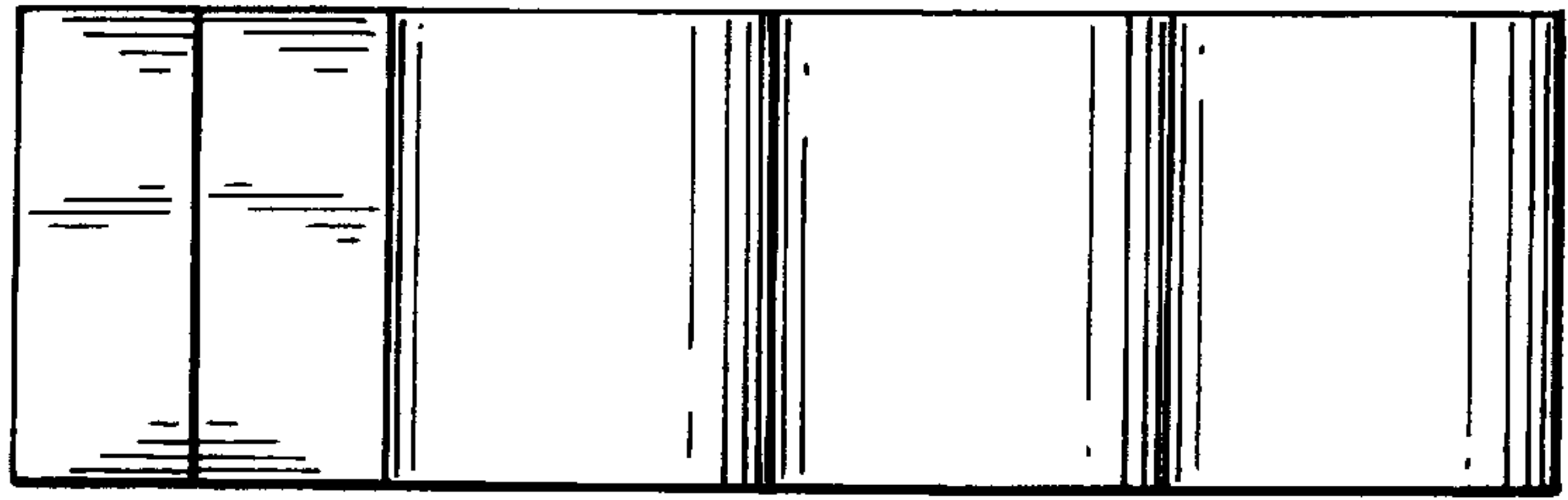


Fig. 4

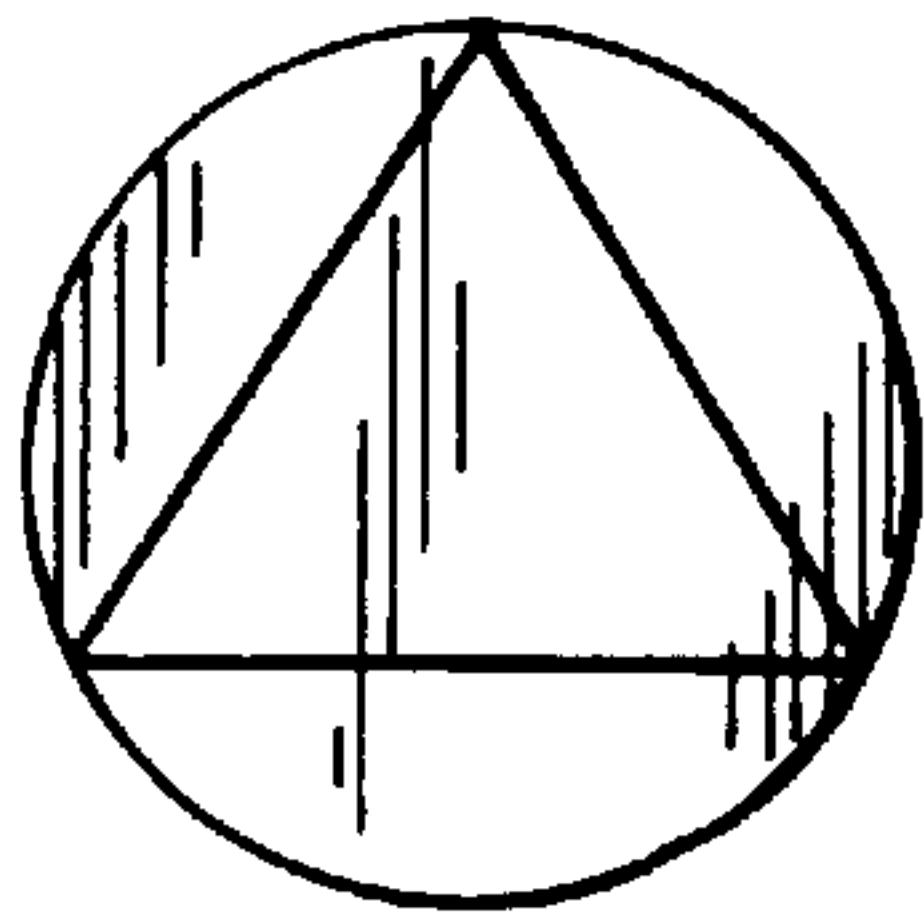


Fig. 5

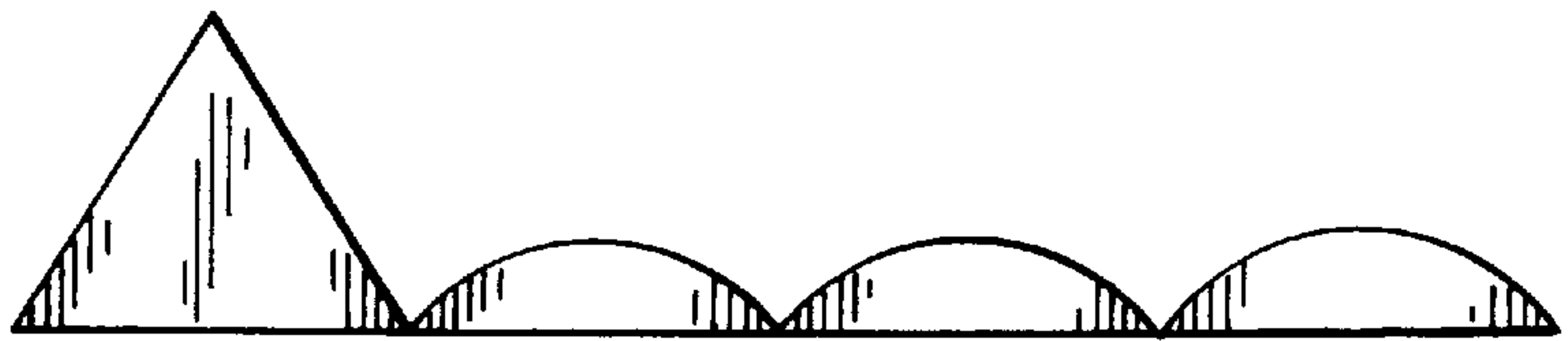


Fig. 6

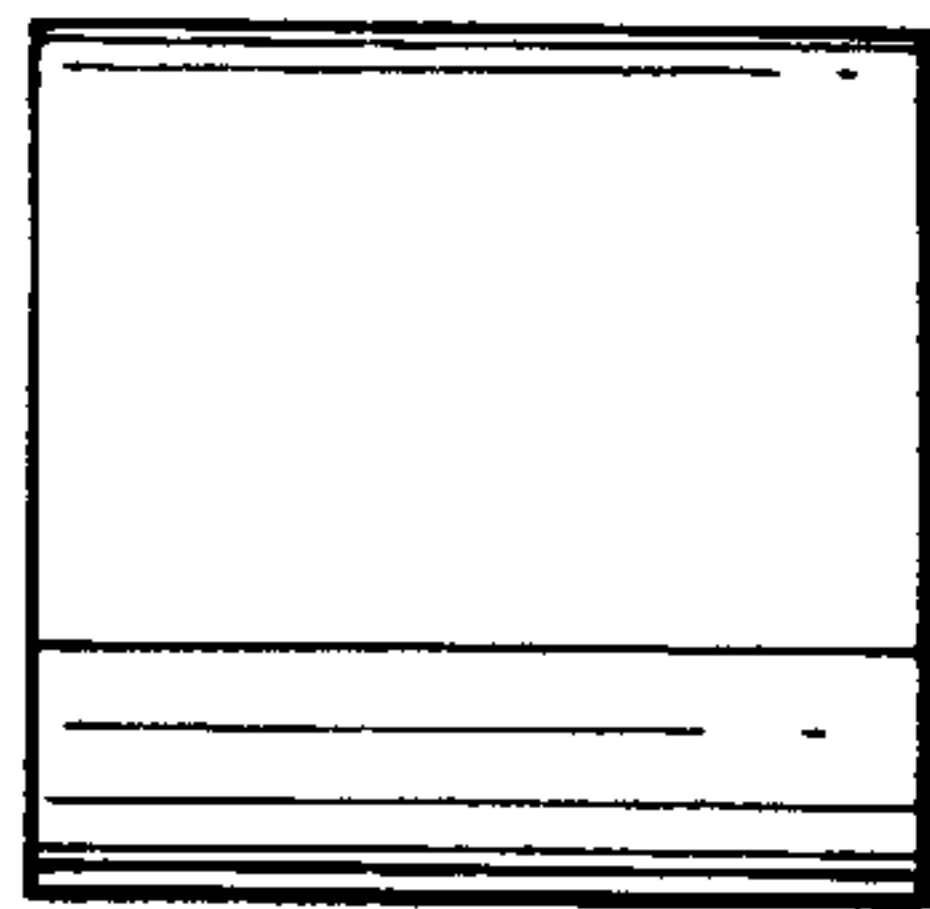


Fig. 7



Fig. 8

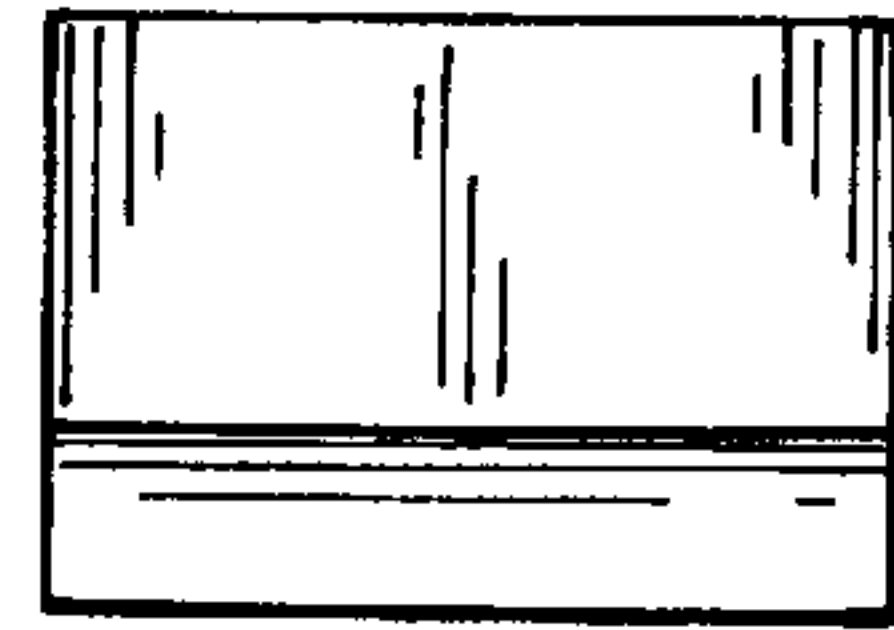


Fig. 9

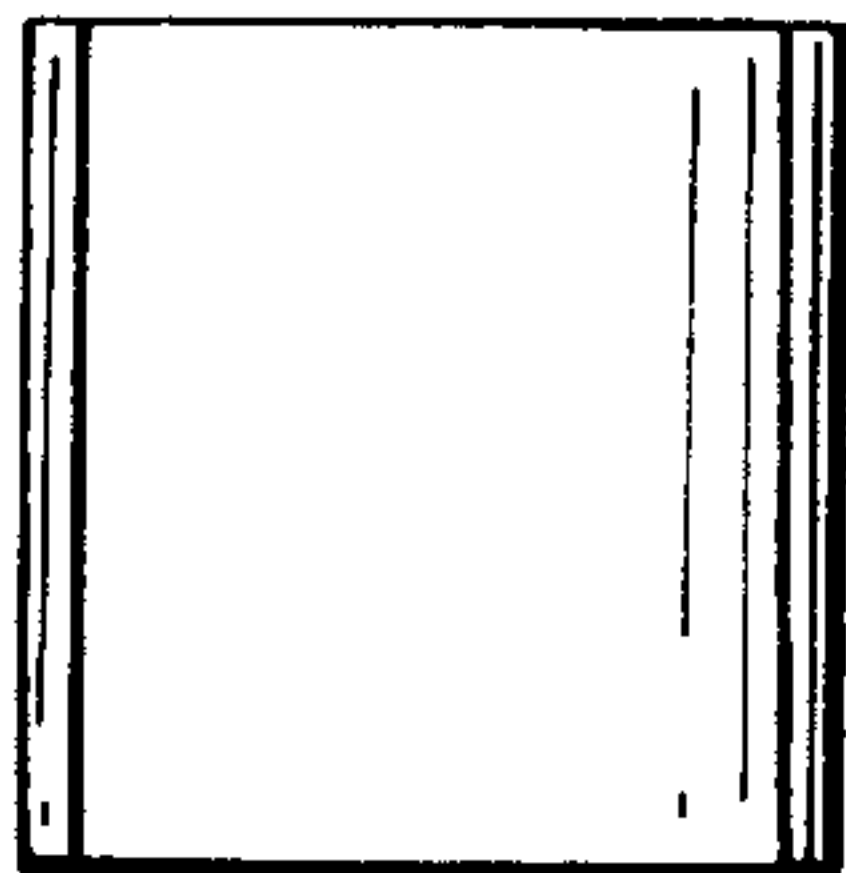


Fig. 10

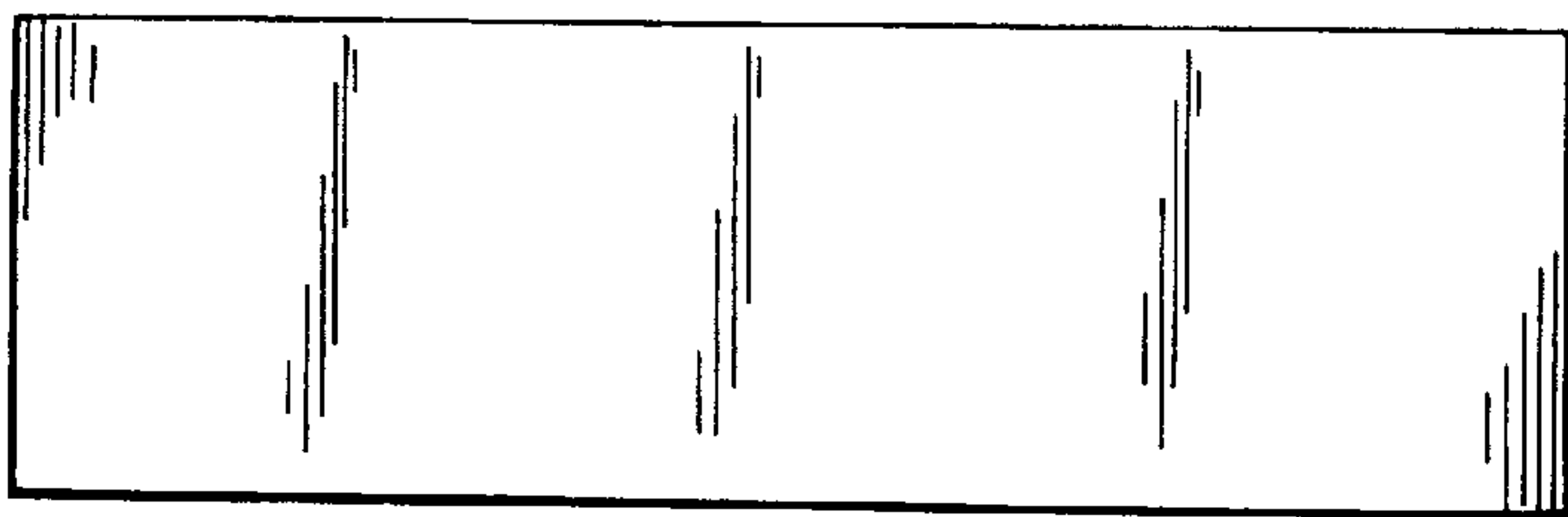


Fig. 11