



US00D422827S

**United States Patent** [19]  
**Garred**

[11] **Patent Number: Des. 422,827**

[45] **Date of Patent: \*\* Apr. 18, 2000**

[54] **MAIL HOLDER APPARATUS**

4,037,737 7/1977 Stevens et al. .... 211/181.1 X  
4,269,381 5/1981 Harms ..... 211/181.1 X

[76] Inventor: **John X. Garred**, 11190 Forestview Dr.,  
Strongsville, Ohio 44136

*Primary Examiner*—Brian N. Vinson  
*Attorney, Agent, or Firm*—Stetina Brunda Garred &  
Brucker

[\*\*] Term: **14 Years**

[21] Appl. No.: **29/103,139**

[57] **CLAIM**

[22] Filed: **Apr. 8, 1999**

The ornamental design for a mail holder apparatus, as shown  
and described.

[51] **LOC (6) Cl.** ..... **08-08**

**DESCRIPTION**

[52] **U.S. Cl.** ..... **D6/566**

[58] **Field of Search** ..... D6/566, 513; 206/576,  
206/320, 349, 553; 211/13.1, 41.1, 41.3,  
41.4, 71, 86-89, 106, 181.1; D19/75, 86

FIG. 1 is a front elevational view of the mail holder  
apparatus of the present invention showing my new design;  
FIG. 2 is a side elevational view thereof, the opposite side  
being a mirror image thereof;  
FIG. 3 is a top plan view thereof; and,  
FIG. 4 is a rear elevational view thereof.

[56] **References Cited**

**U.S. PATENT DOCUMENTS**

D. 402,491 12/1998 Tucker ..... D6/566 X

**1 Claim, 2 Drawing Sheets**

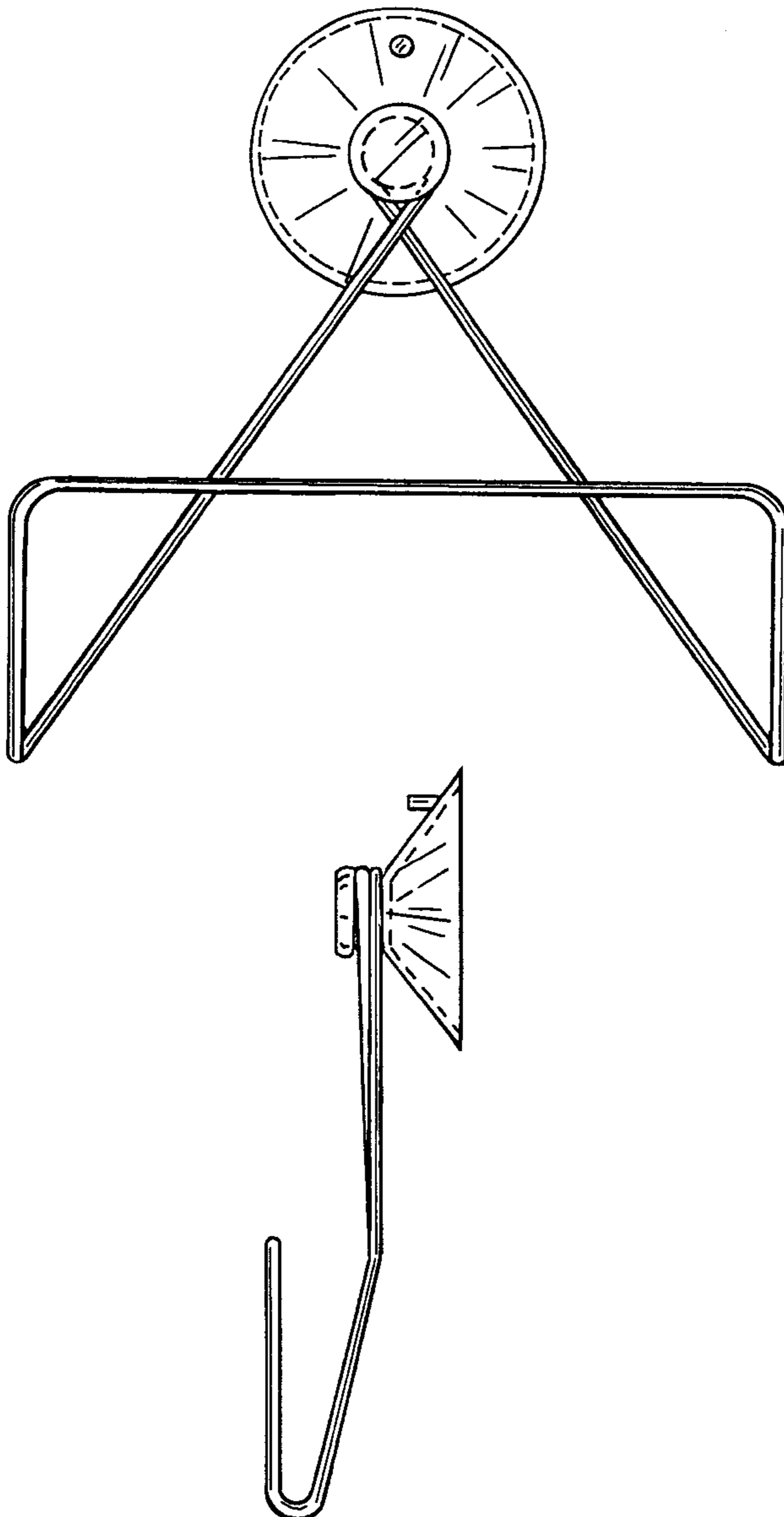


Fig. 1

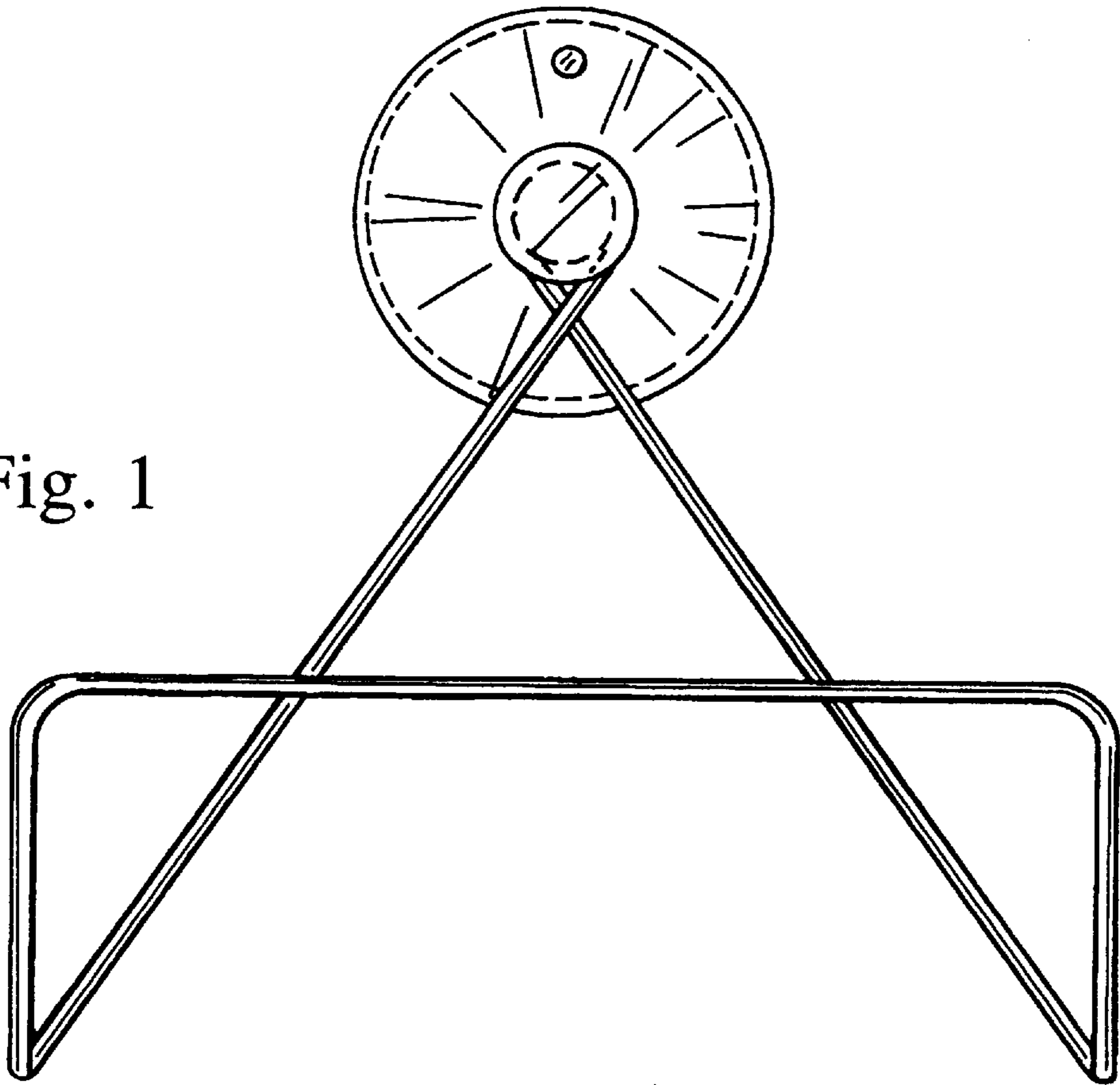
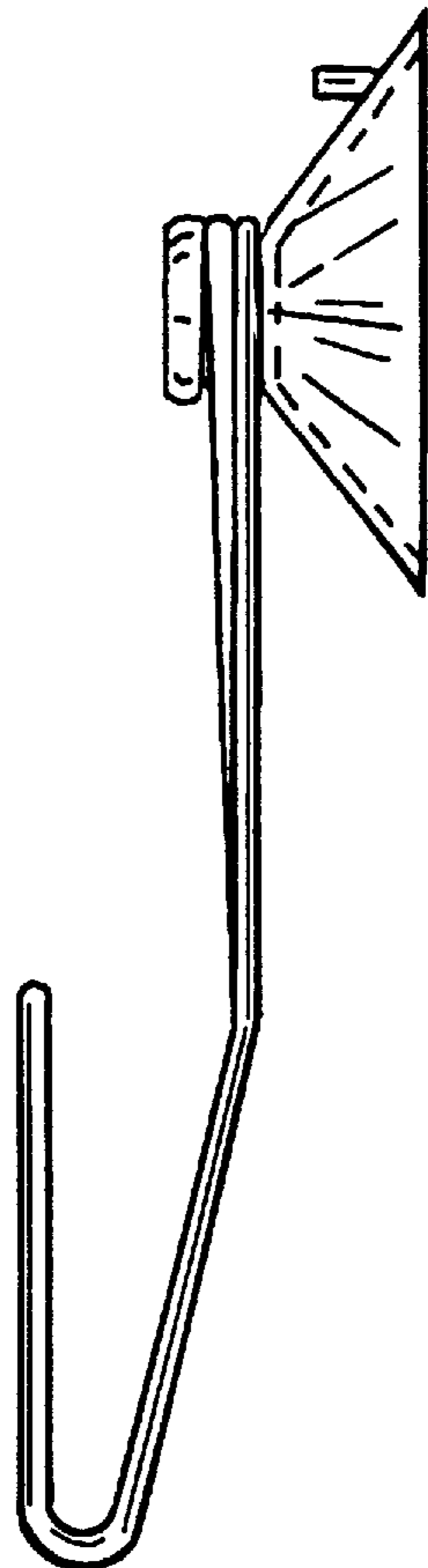


Fig. 2



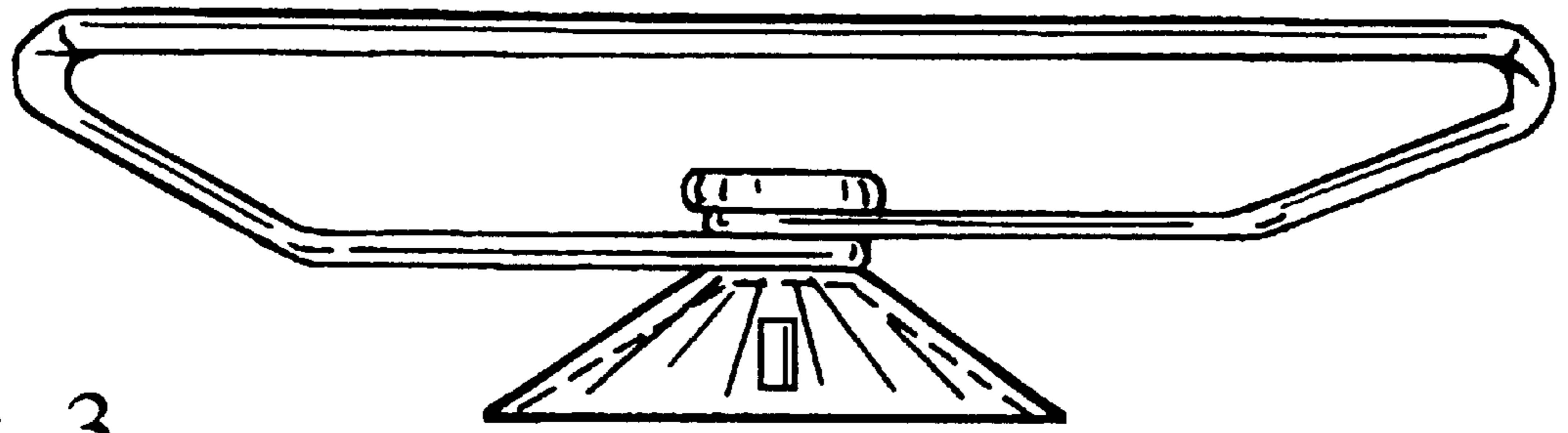


Fig. 3

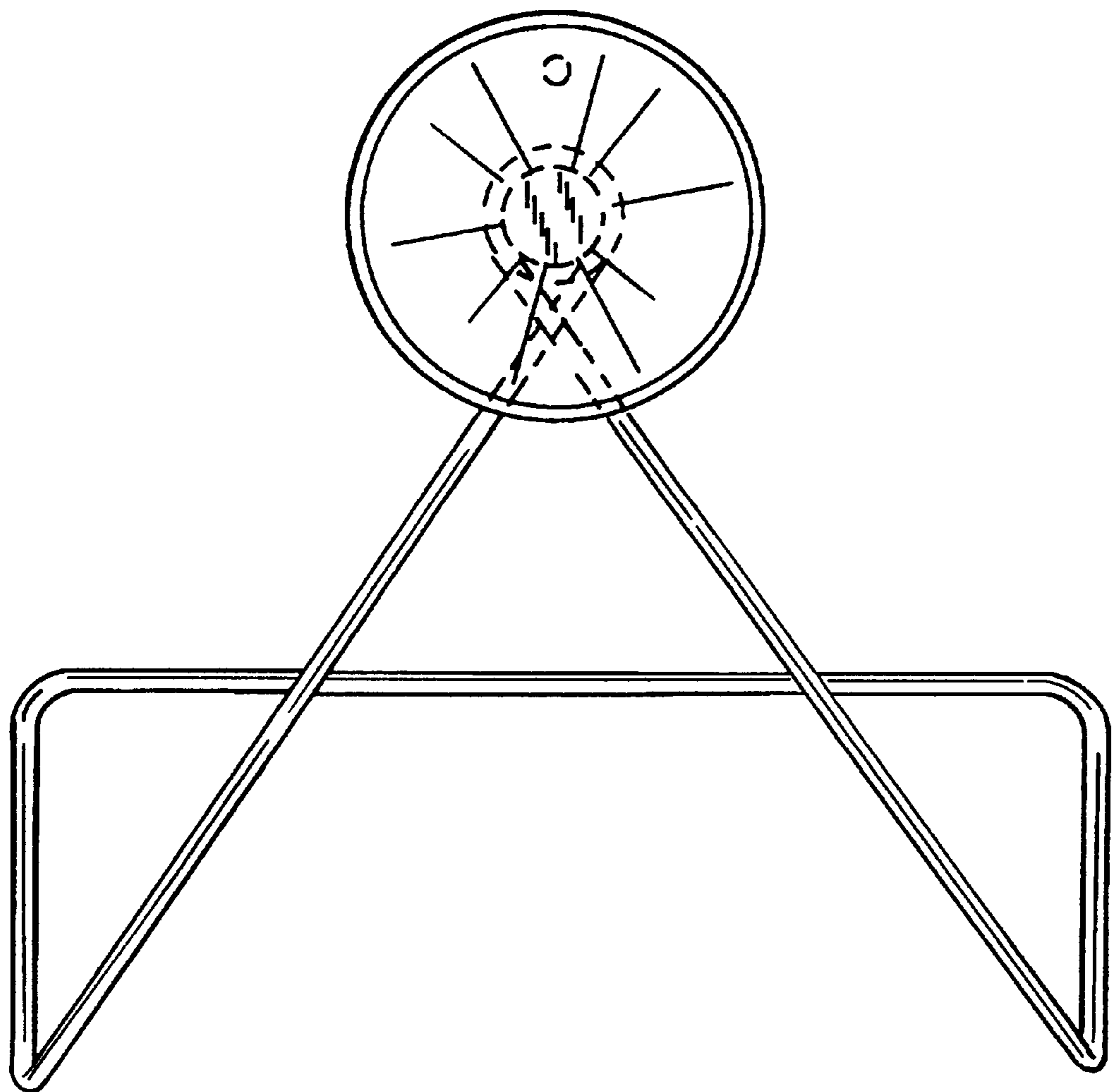


Fig. 4