



US00D422826S

United States Patent [19]
Wenger et al.

[11] **Patent Number: Des. 422,826**
[45] **Date of Patent: ** Apr. 18, 2000**

[54] **FOLDING CLOSET**

DESCRIPTION

[76] Inventors: **Norbert Wenger; Cyndy M. Wenger**,
both of 8405 NW. 111th, Oklahoma
City, Okla. 73162

[**] Term: **14 Years**

[21] Appl. No.: **29/098,862**

[22] Filed: **Jan. 7, 1999**

Related U.S. Application Data

[63] Continuation-in-part of application No. 29/083,677, Feb. 16,
1998.

[51] **LOC (6) Cl.** **08-08**

[52] **U.S. Cl.** **D6/553; D6/555**

[58] **Field of Search** D6/512, 553, 555,
D6/574, 567; 211/86.01, 88.02; 312/114,
245; D8/330, 336

[56] **References Cited**

U.S. PATENT DOCUMENTS

| | | | | |
|------------|---------|-----------|-------|--------|
| D. 95,043 | 4/1935 | Kent | | D6/574 |
| D. 199,569 | 11/1964 | Bodenbach | | D6/555 |
| D. 244,072 | 4/1977 | Schaecher | | D6/555 |
| D. 314,486 | 2/1991 | Day | | D6/555 |

Primary Examiner—Kay H. Chin

Attorney, Agent, or Firm—Crowe & Dunlevy; Bill D.
McCarthy

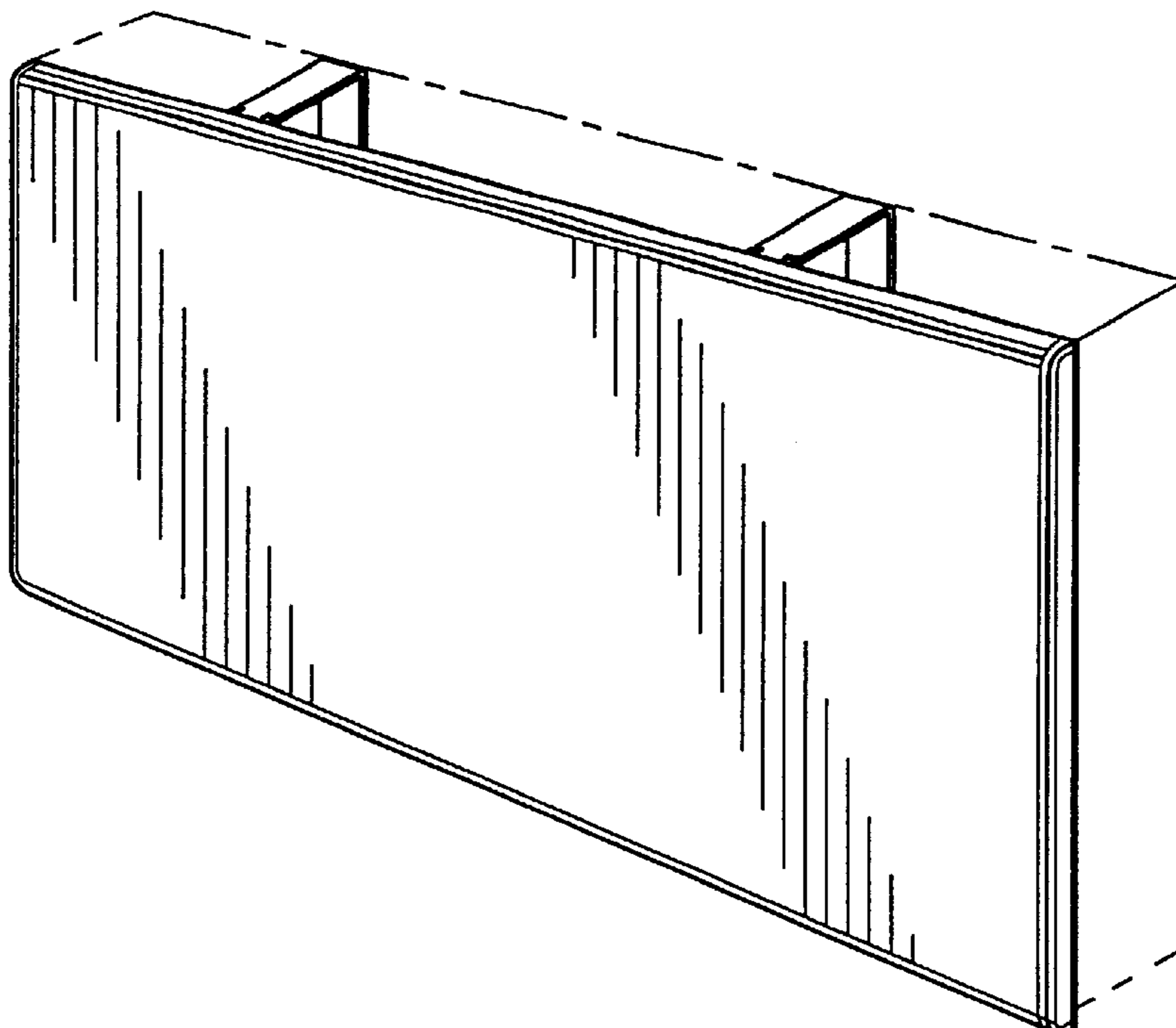
[57] **CLAIM**

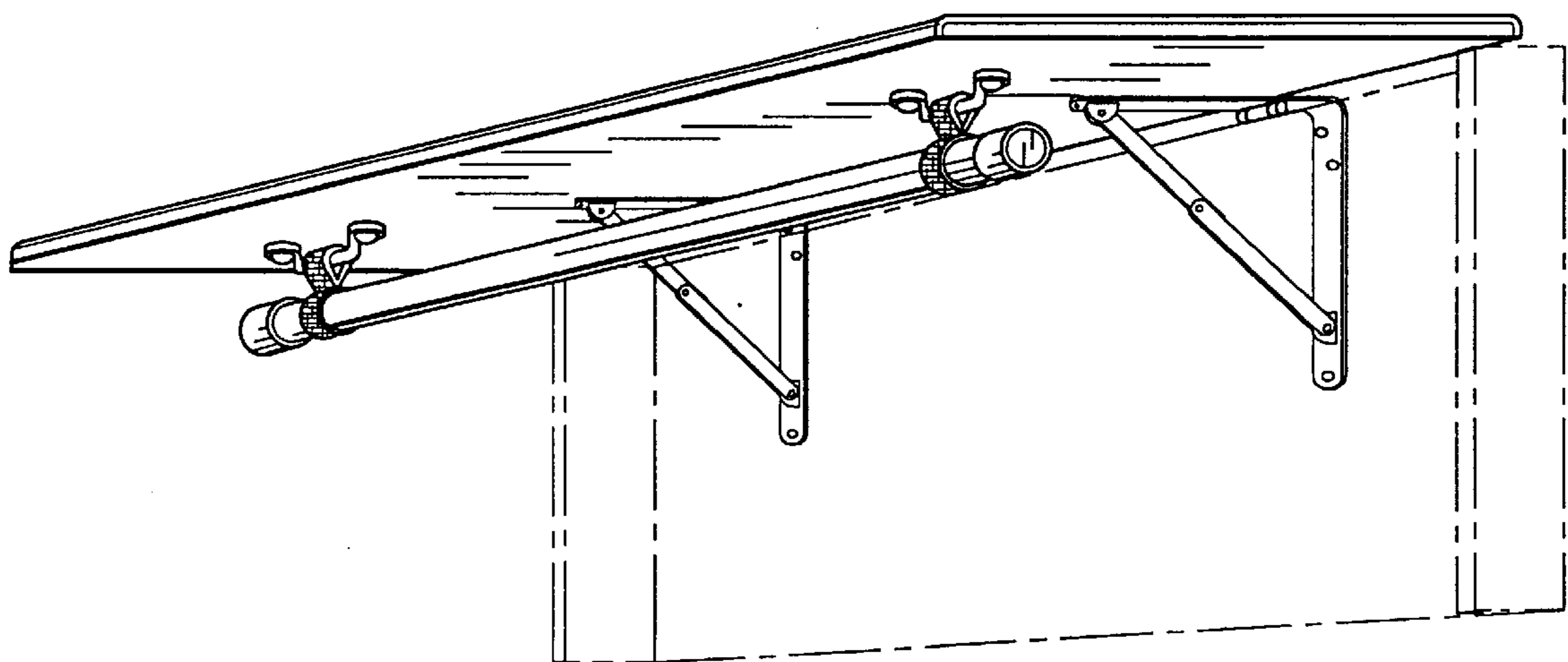
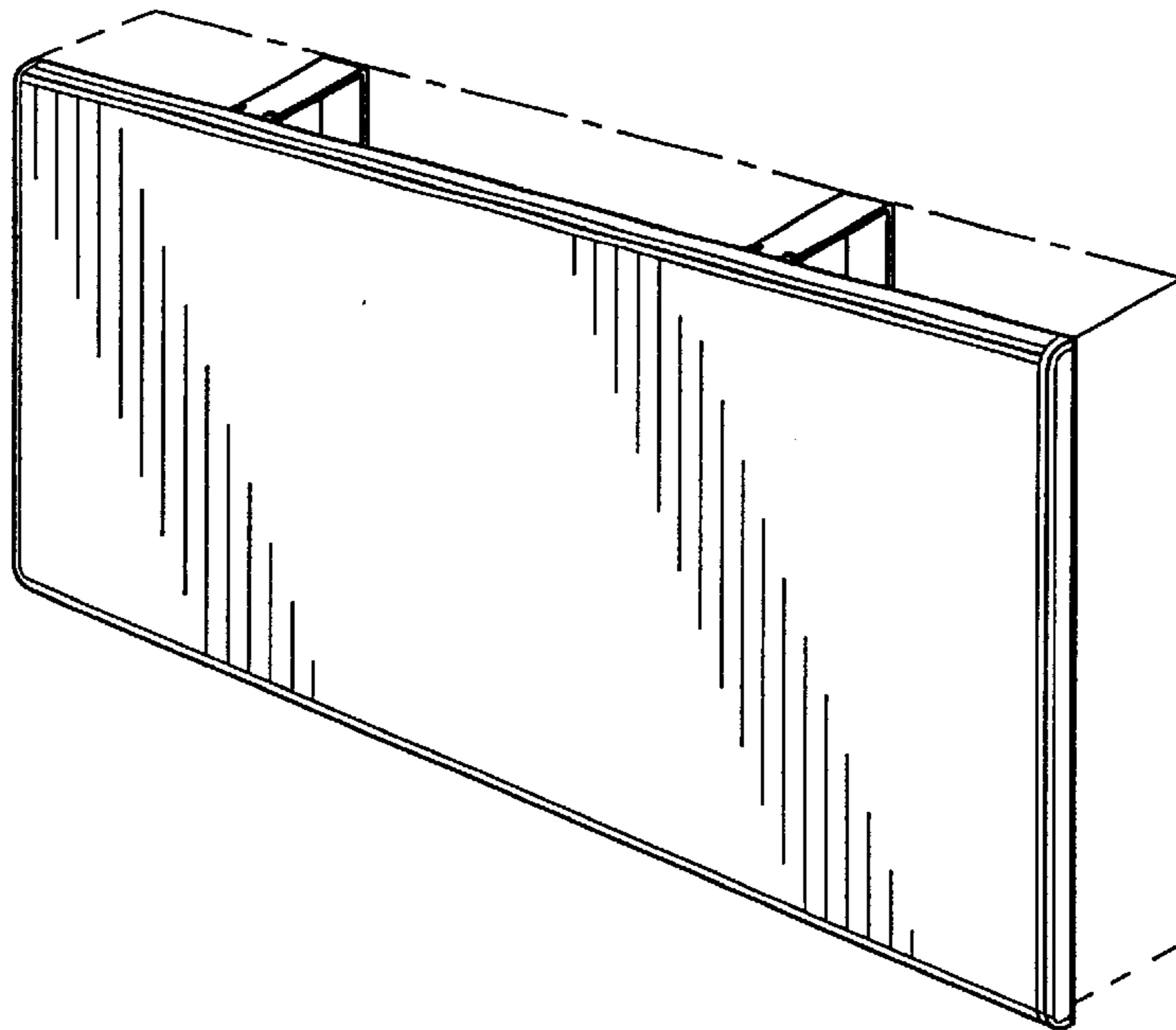
The ornamental design for a folding closet, as shown and
described.

FIG. 1 is a perspective view of a folding closet showing our new design in its folded configuration;
 FIG. 2 is another perspective view thereof in its open configuration;
 FIG. 3 is a front elevational view thereof in the folded configuration;
 FIG. 4 is a rear elevational view thereof in the folded configuration;
 FIG. 5 is an elevational view of one end thereof in the folded configuration;
 FIG. 6 is an elevational view of the other end thereof in the folded configuration;
 FIG. 7 is a top plan view thereof in the folded configuration;
 FIG. 8 is a bottom plan view thereof in the folded configuration;
 FIG. 9 is a front elevational view thereof in the open configuration;
 FIG. 10 is a rear elevational view thereof in the open configuration;
 FIG. 11 is an elevational view of one end thereof in the open configuration;
 FIG. 12 is an elevational view of the other end thereof in the open configuration;
 FIG. 13 is a top plan view thereof in the open configuration;
 and,
 FIG. 14 is a bottom plan view thereof in the open configuration.

The broken lines shown in FIGS. 1, 2, 4 through 14 are for illustrative purposes only and form no part of the claimed design.

1 Claim, 4 Drawing Sheets





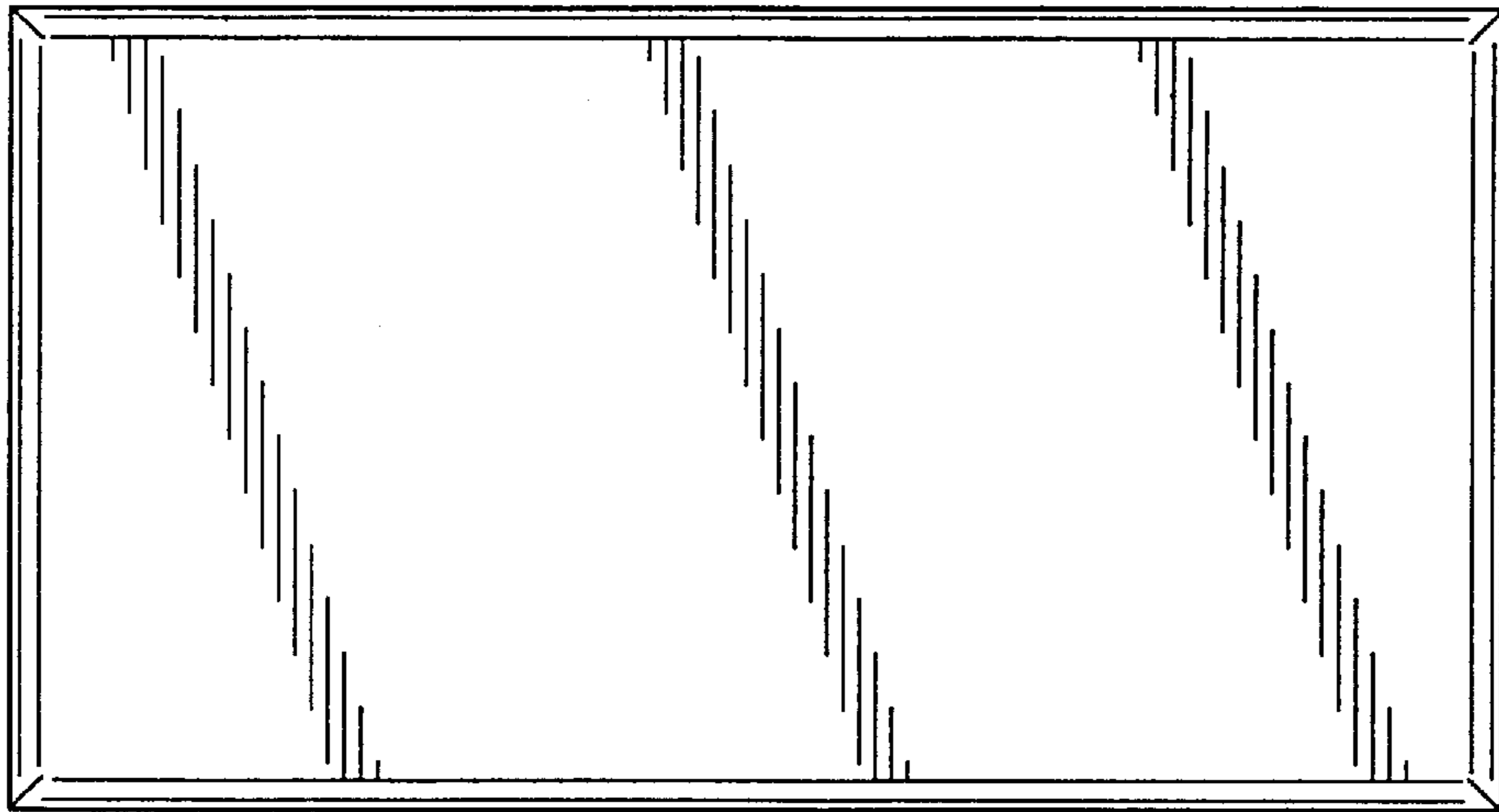


FIG. 3

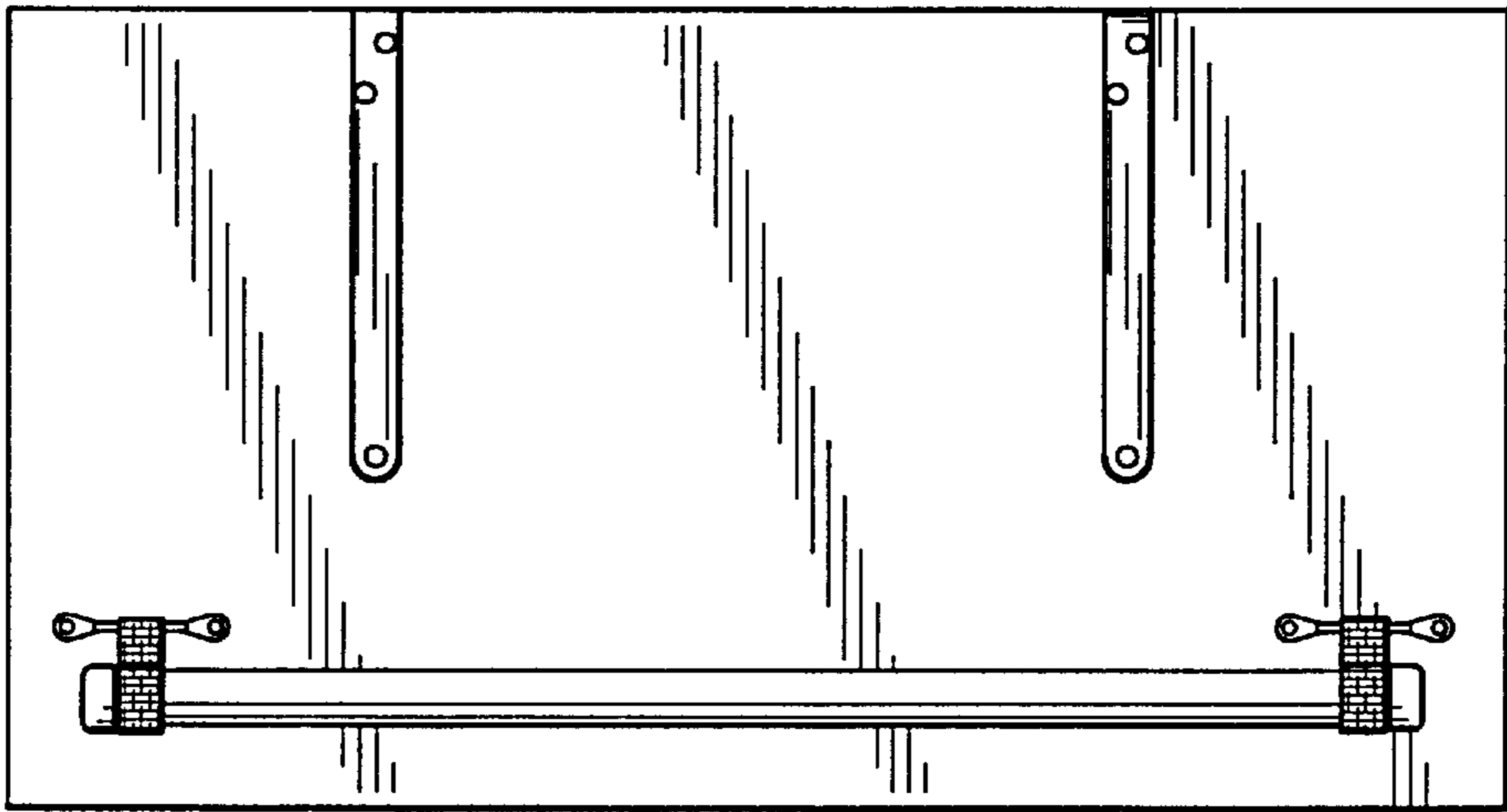
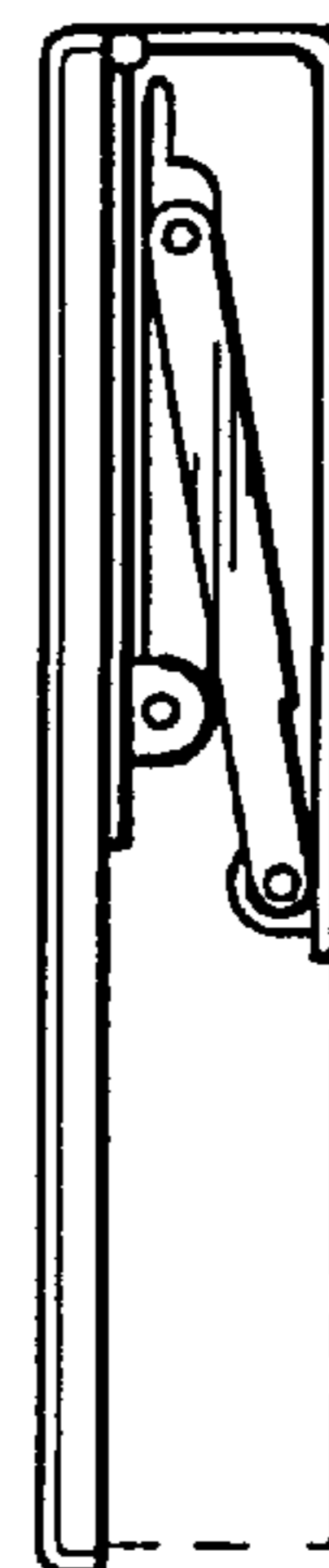


FIG. 4



FIG. 5

FIG. 6



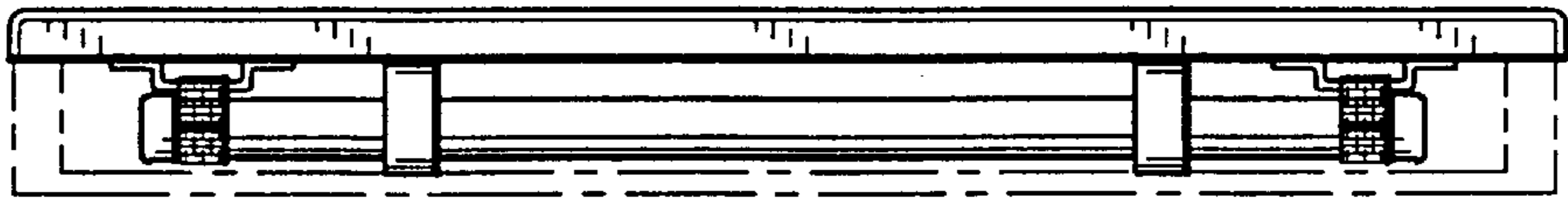


FIG. 2

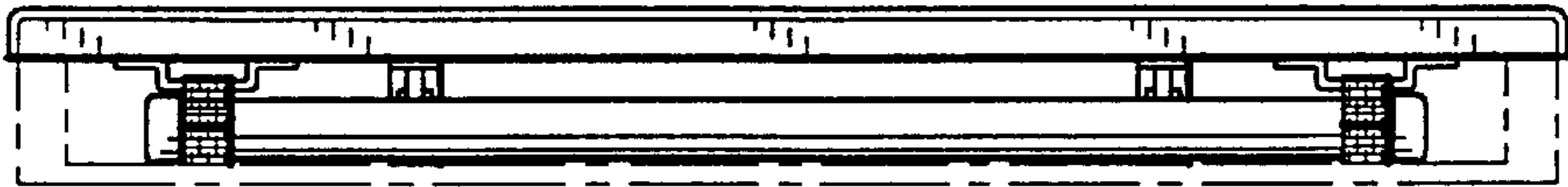


FIG. 3

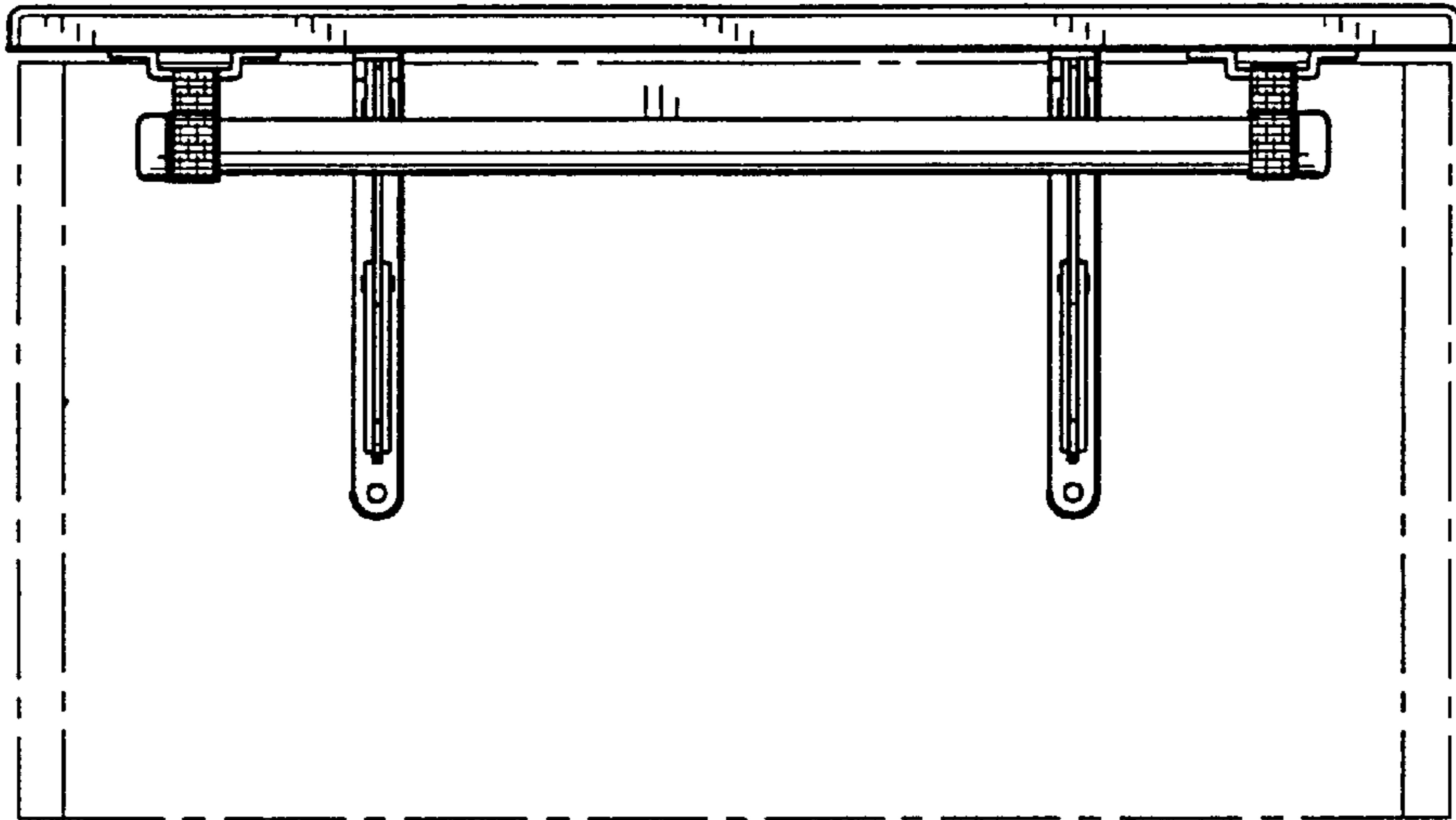


FIG. 4

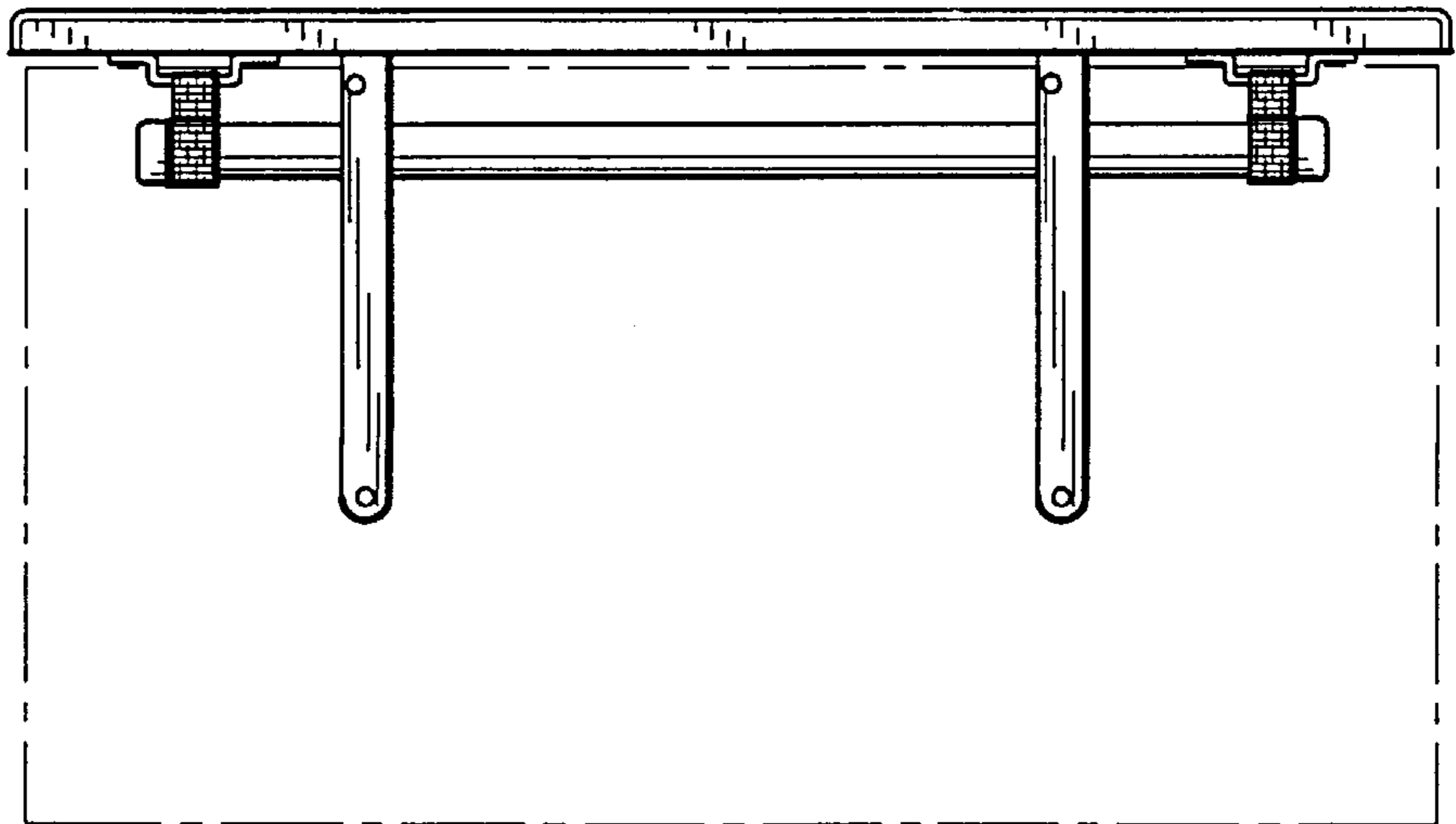


FIG. 5

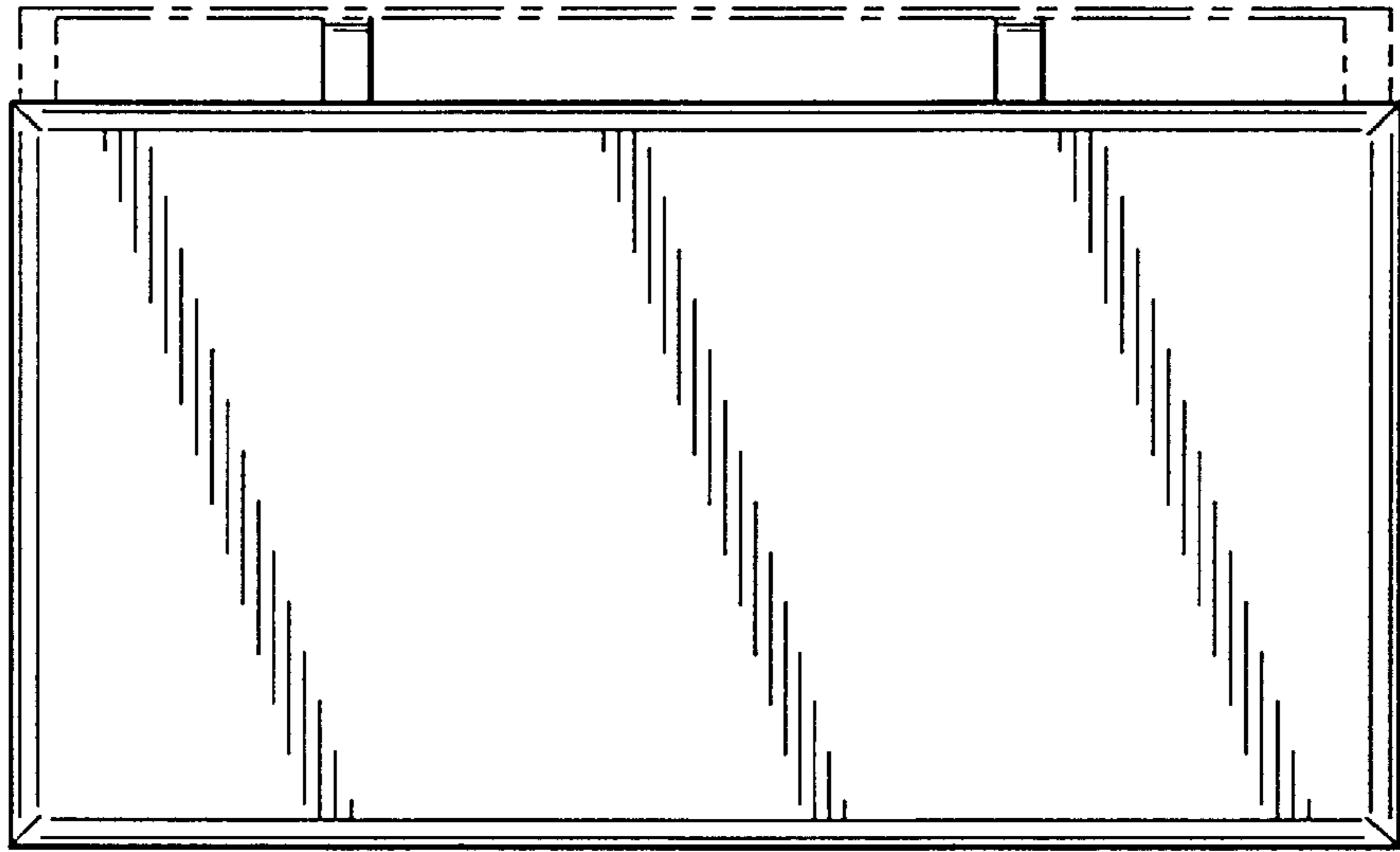
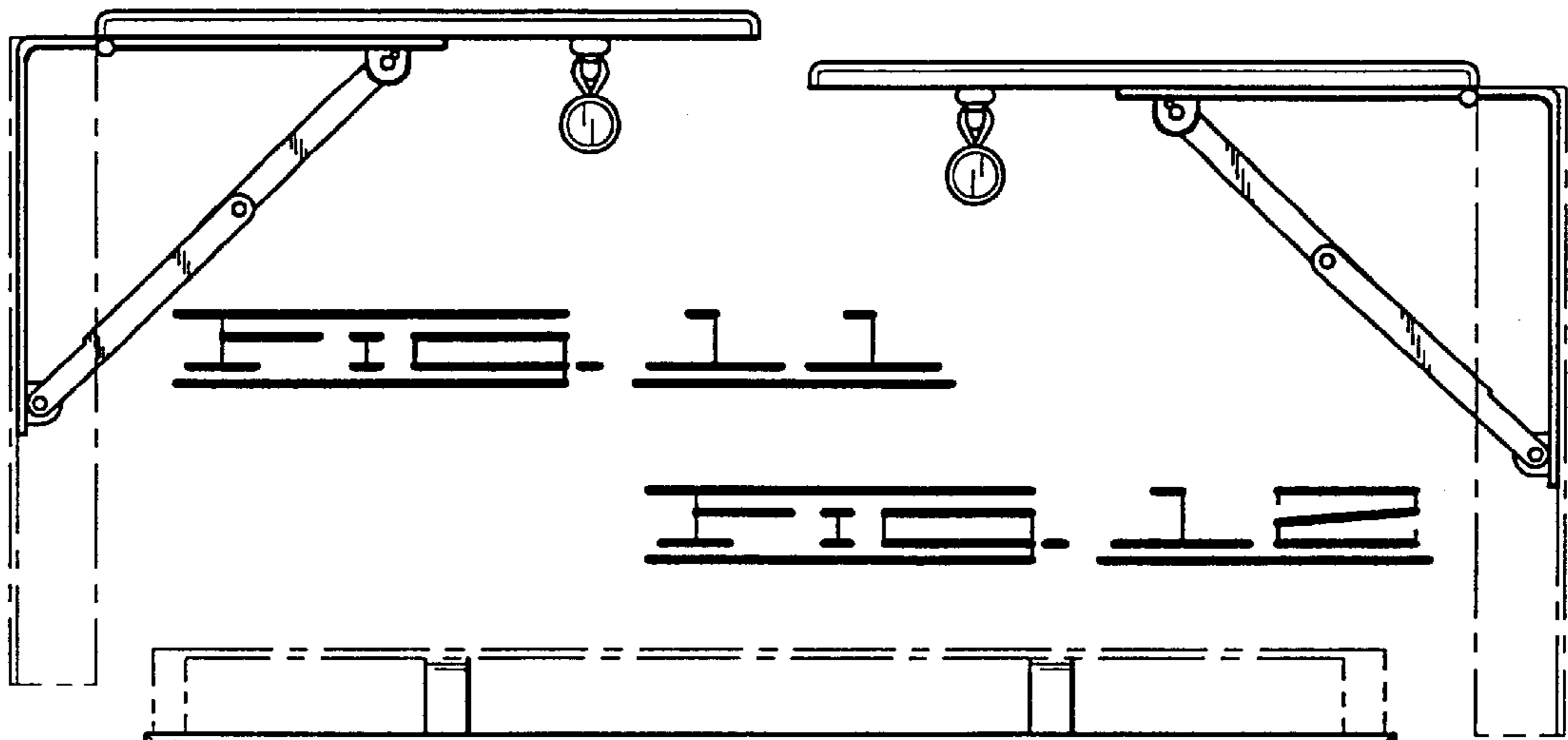


FIG. 13

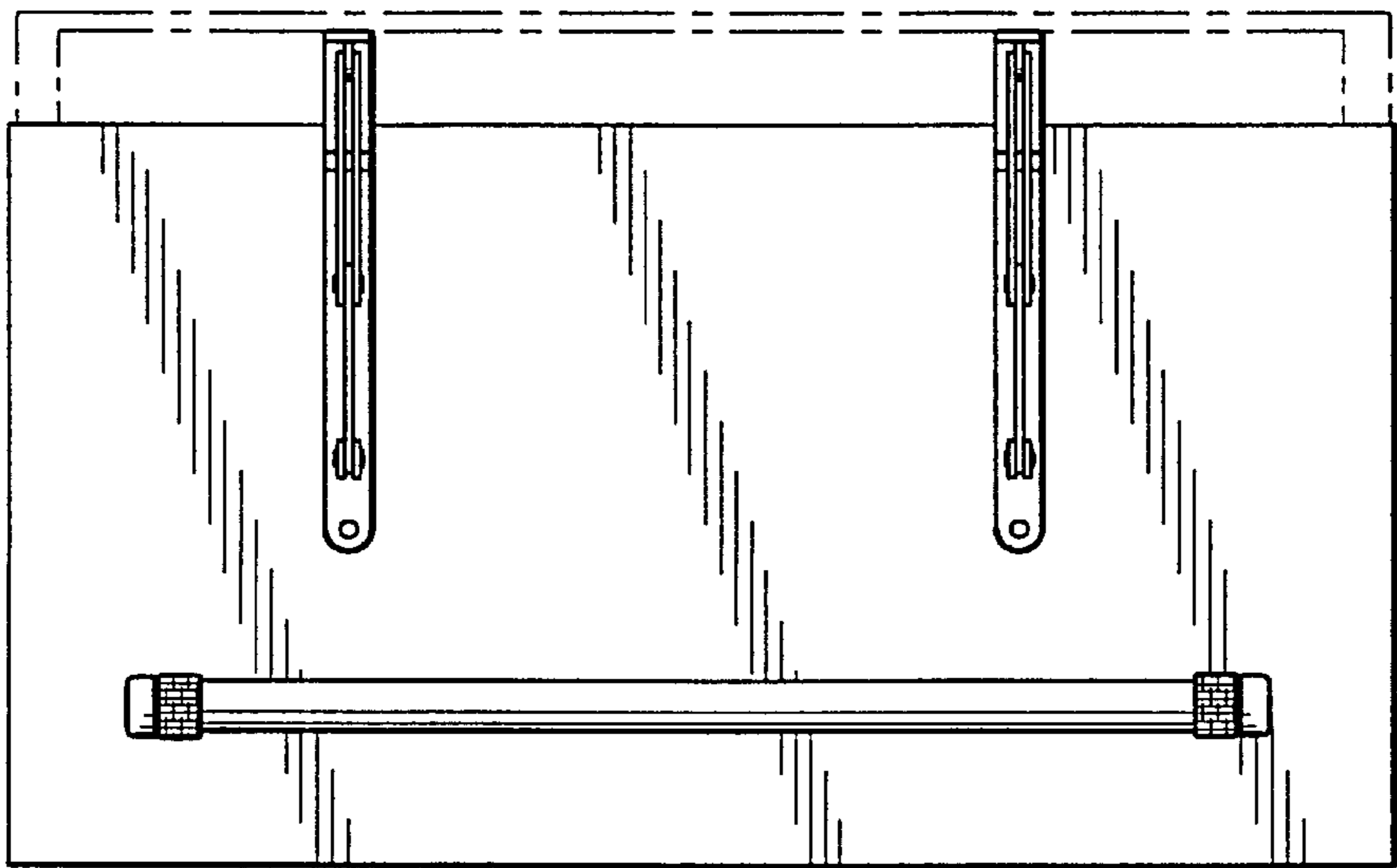


FIG. 14