



US00D422825S

United States Patent [19]
Hoffmann

[11] **Patent Number: Des. 422,825**

[45] **Date of Patent: ** Apr. 18, 2000**

[54] **HOCKEY PUCK HOLDER**

D. 402,399 12/1998 Fowler D27/135
D. 403,104 12/1998 Ries D27/102

[76] Inventor: **Ernest E Hoffmann**, 45 Engineers Rd.,
Hauppauge, N.Y. 11788

Primary Examiner—Brian N. Vinson
Attorney, Agent, or Firm—Collard & Roe, PC

[**] Term: **14 Years**

[57] **CLAIM**

[21] Appl. No.: **29/101,037**

The ornamental design for a hockey puck holder, as shown
and described.

[22] Filed: **Feb. 23, 1999**

DESCRIPTION

[51] **LOC (6) Cl.** **08-08**

[52] **U.S. Cl.** **D6/552; D27/102**

[58] **Field of Search** D6/552, 553, 567;
D8/349, 354, 376, 363, 380; 248/314, 309.1;
D27/102, 133, 134, 135; 206/579, 6.1,
315.1, 315.9; 211/13.1, 14

FIG. 1 shows a front view of my design for a hockey puck holder;

FIG. 2 shows a top view thereof;

FIG. 3 shows a side view thereof;

FIG. 4 shows a bottom view thereof;

FIG. 5 shows a side view thereof rotated 90° from FIG. 3;

FIG. 6 shows a top view of an alternative embodiment of my
design for a hockey puck holder;

FIG. 7 shows a top view of another alternative embodiment
of my design for a hockey puck holder; and,

FIG. 8 shows a top view of another alternative embodiment
of my design for a hockey puck holder.

[56] **References Cited**

U.S. PATENT DOCUMENTS

D. 247,272 2/1978 Putt et al. D6/552
D. 268,211 3/1983 Polhemus D27/102
D. 283,076 3/1986 States, Jr. D6/552 X
D. 290,140 6/1987 Wolff D27/102 X
D. 386,925 12/1997 Hogan D6/552

1 Claim, 3 Drawing Sheets

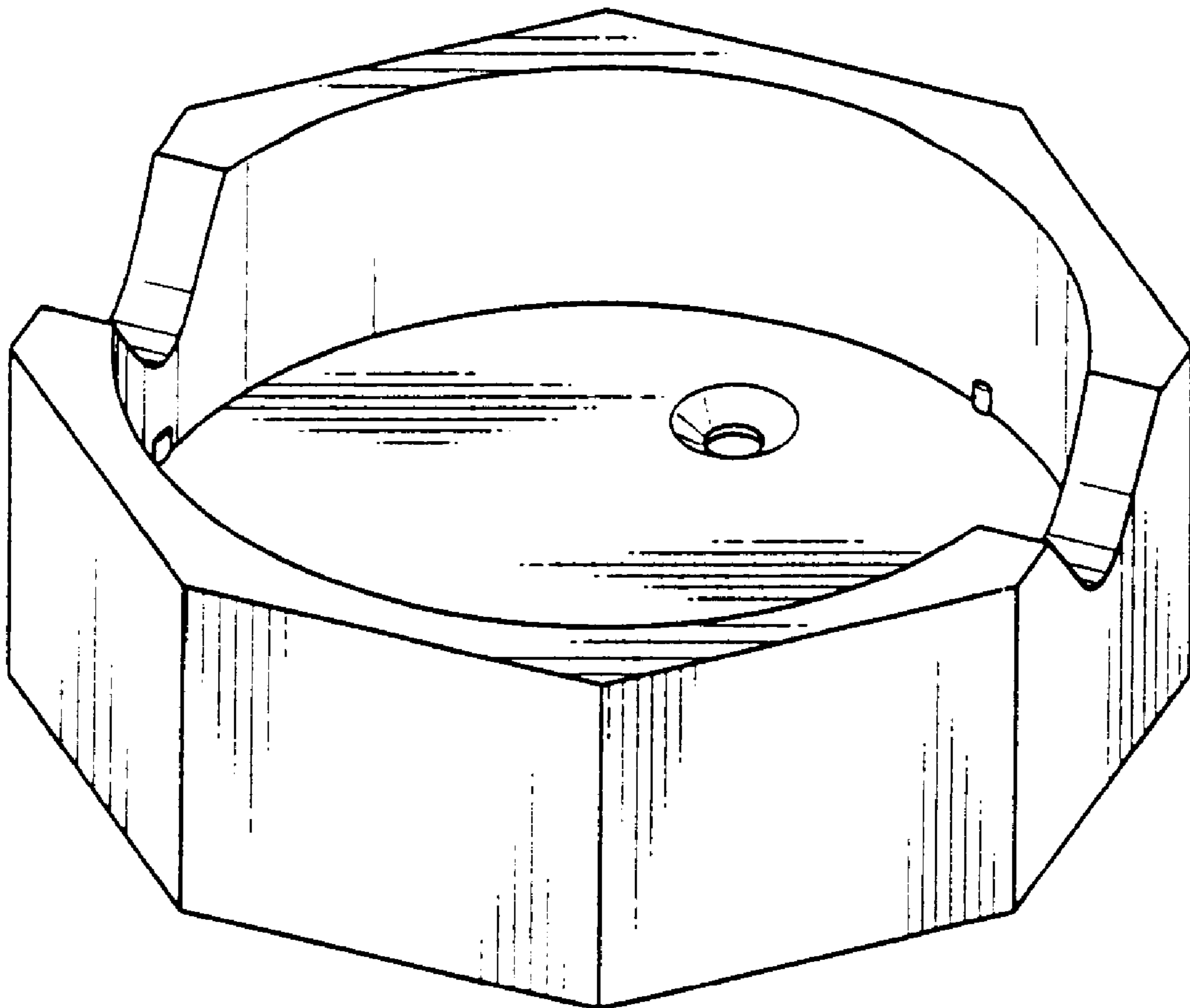


Fig. 1

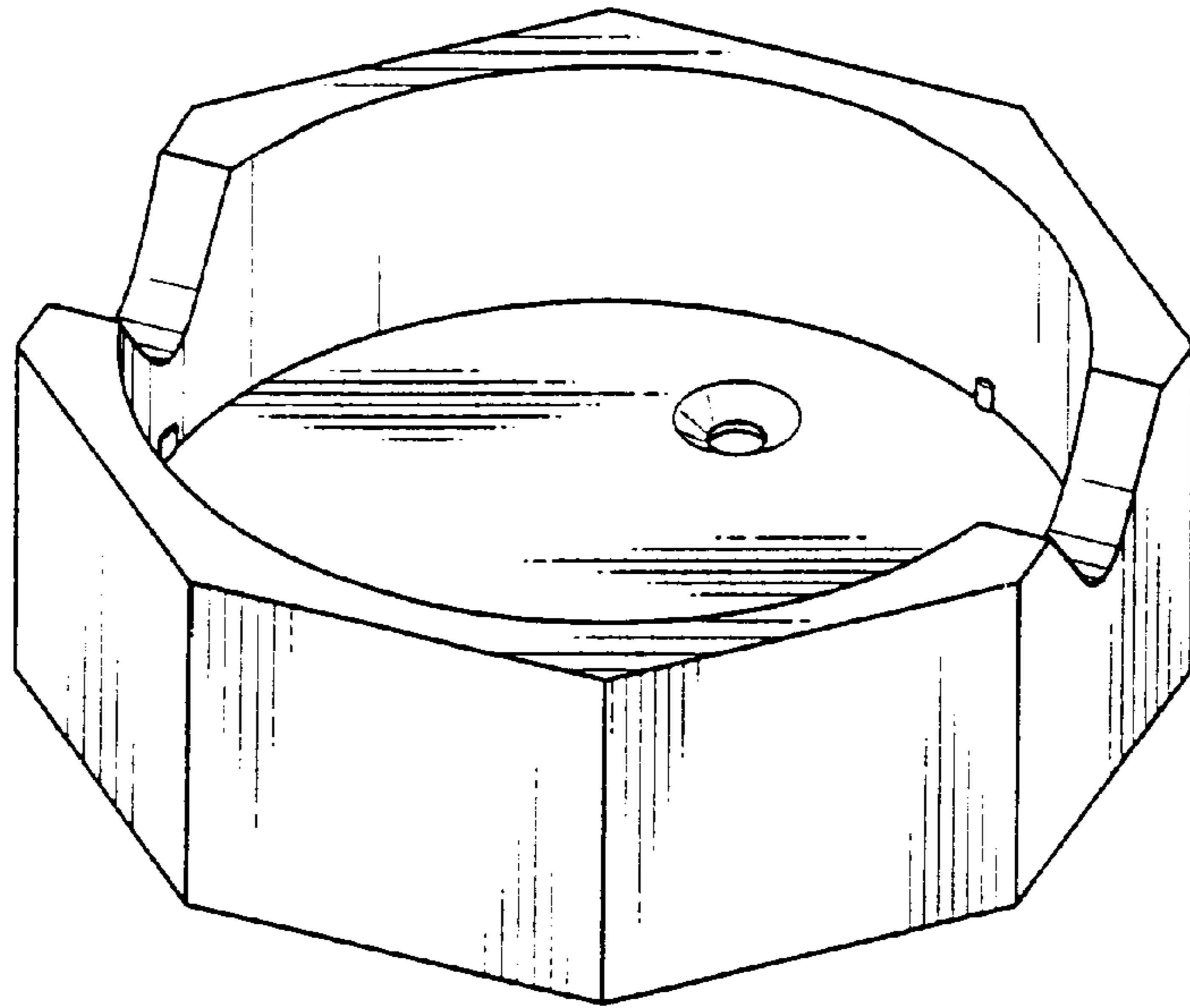


Fig. 2

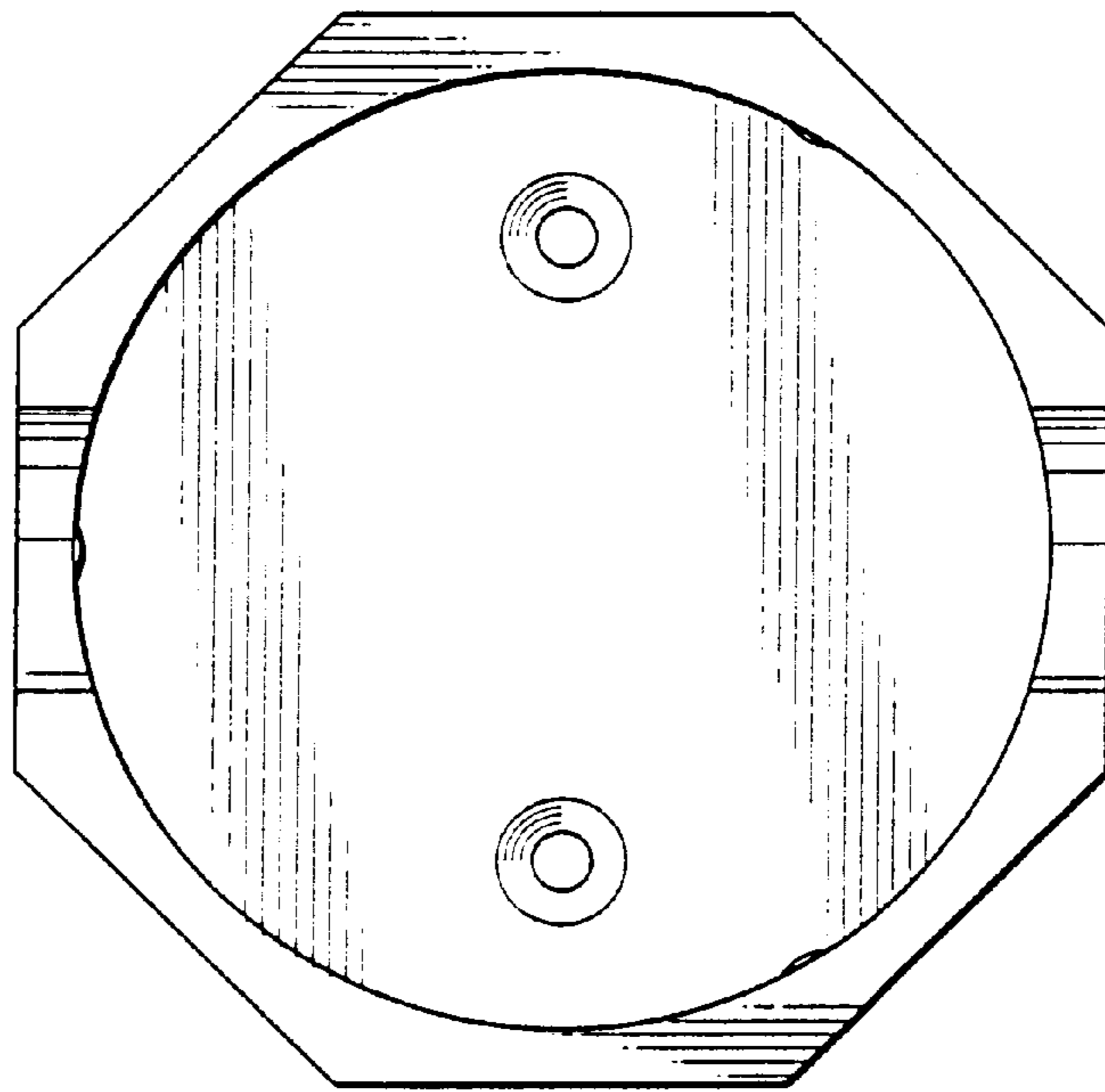


Fig. 3

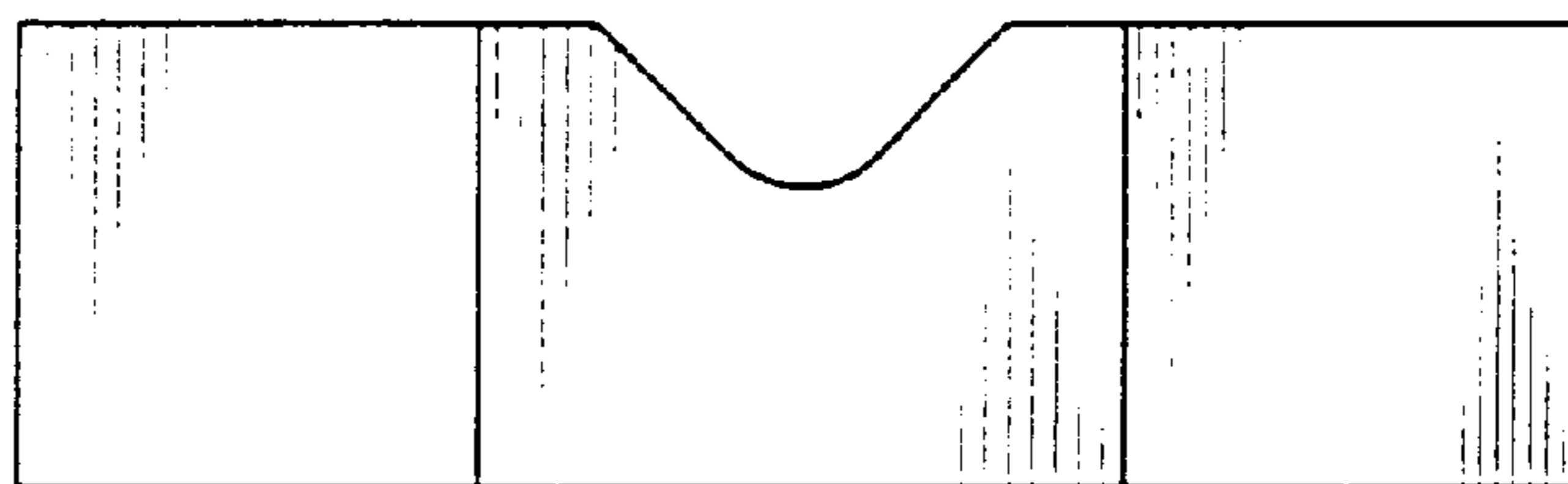


Fig. 4

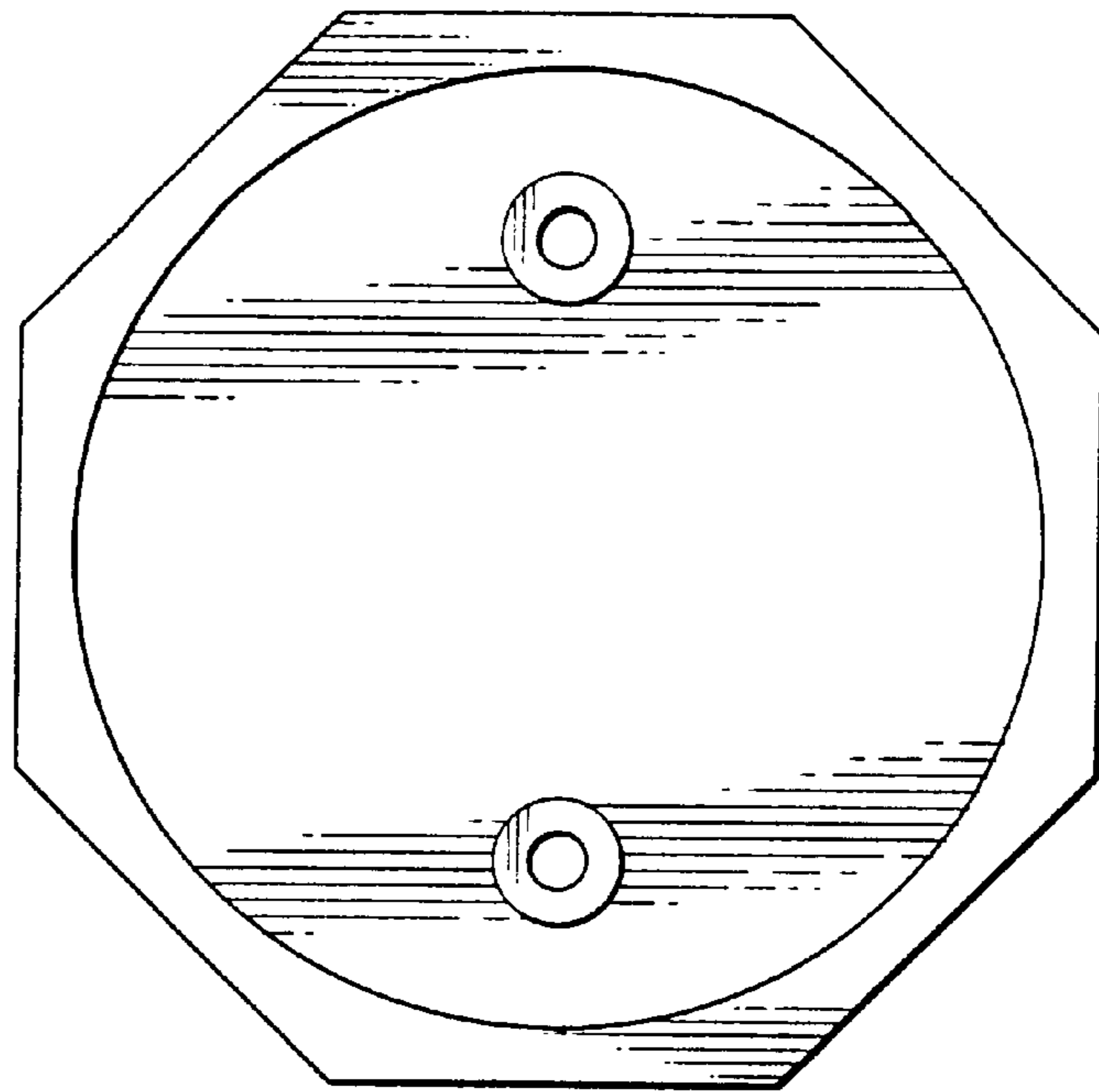


Fig. 5

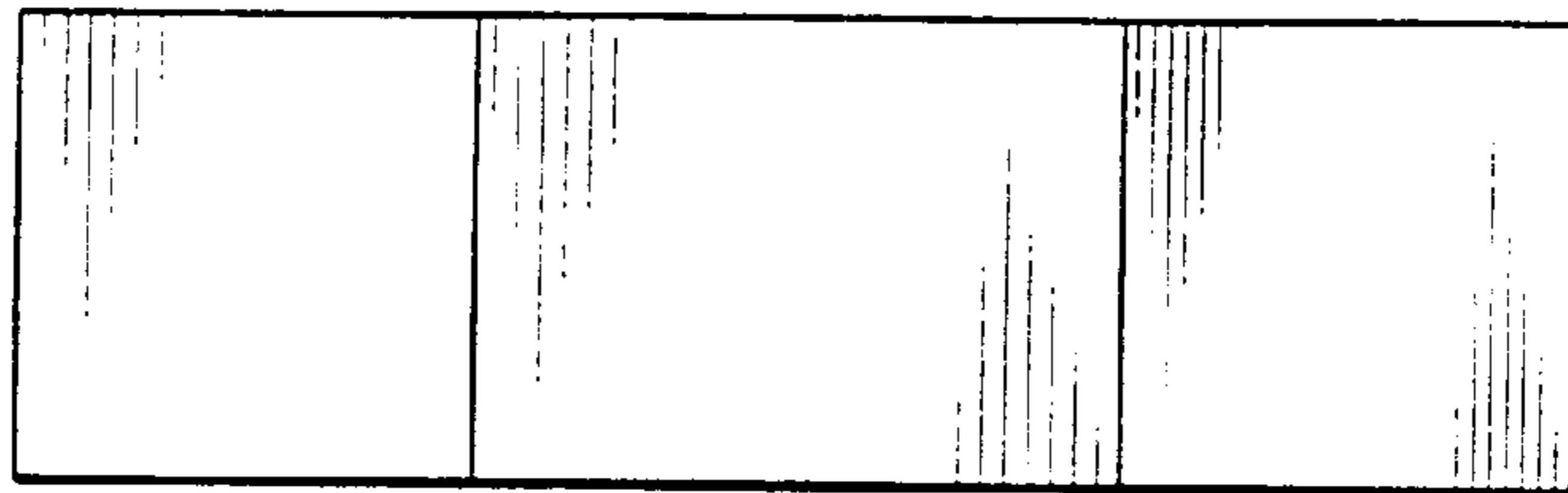


Fig. 6

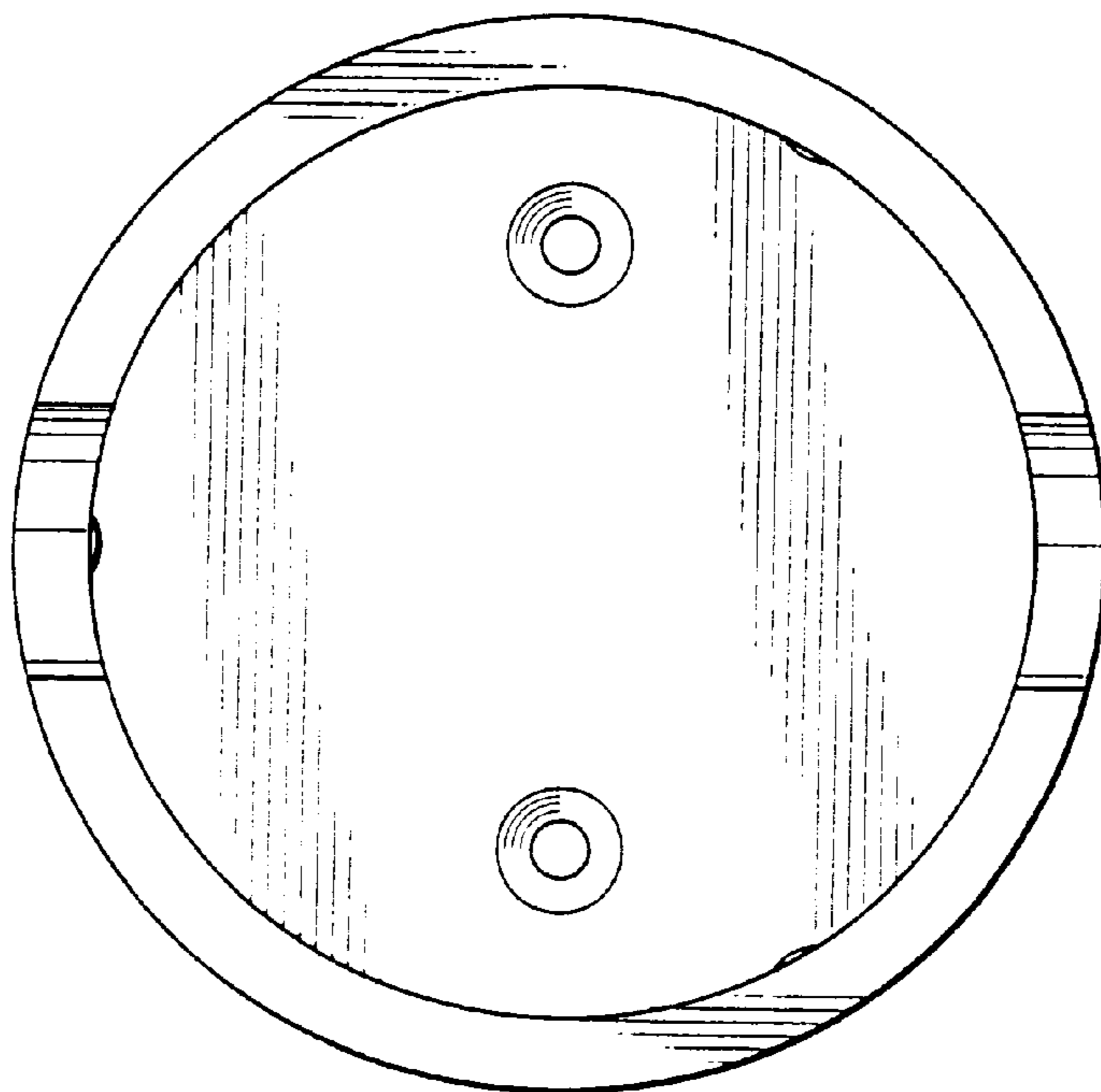


Fig. 7

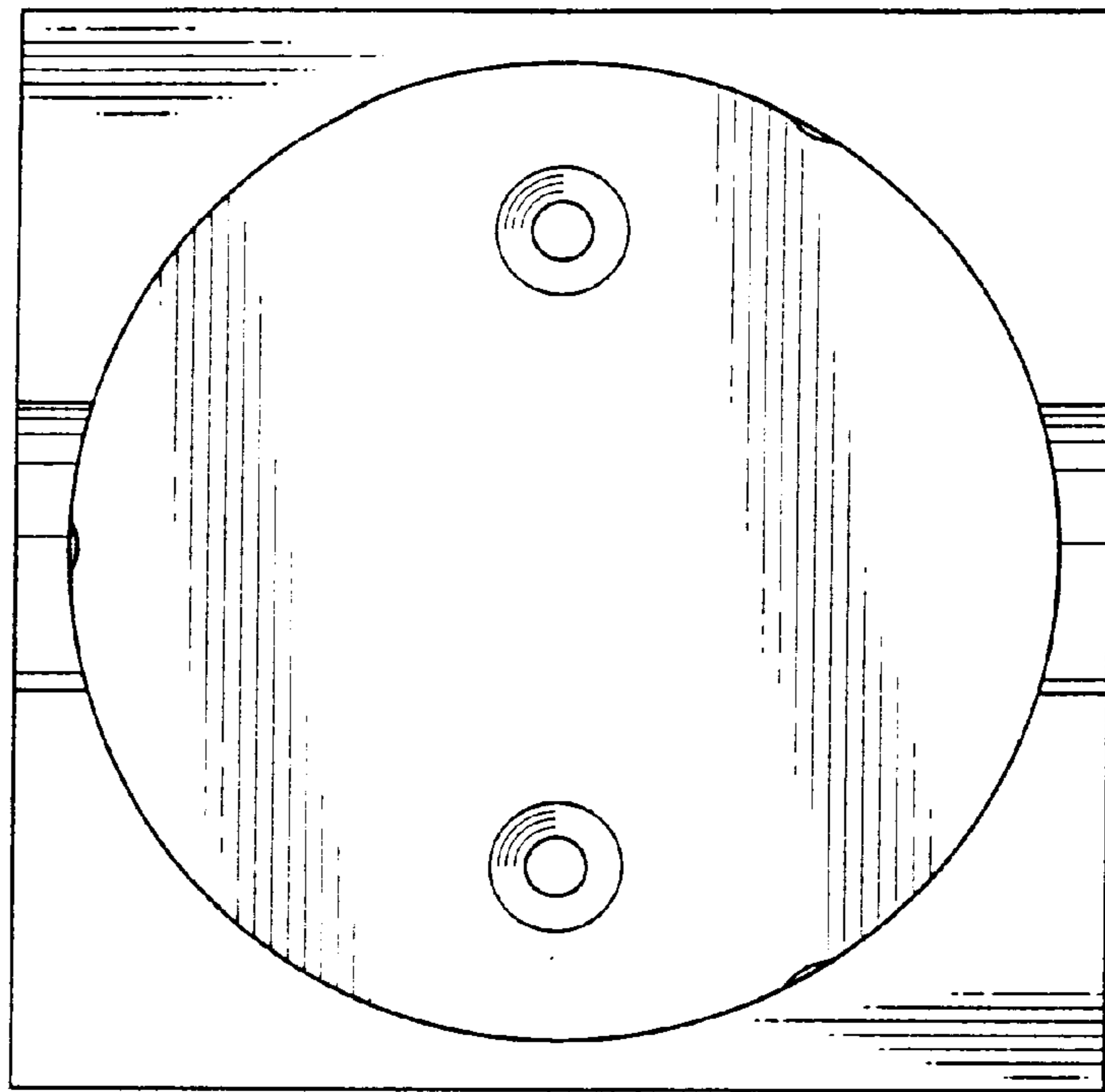


Fig. 8

