



US00D422824S

United States Patent [19]

Moore et al.

[11] **Patent Number: Des. 422,824**

[45] **Date of Patent: ** Apr. 18, 2000**

[54] **BATH ACCESSORY POST SET**

[75] Inventors: **Glenn David Moore**, Newfoundland;
Leszek Solowiej, Montville, both of
N.J.

[73] Assignee: **Melard Manufacturing Corp.**, Passaic,
N.J.

[**] Term: **14 Years**

[21] Appl. No.: **29/088,204**

[22] Filed: **May 18, 1998**

[51] **LOC (6) Cl.** **07-07**

[52] **U.S. Cl.** **D6/550**

[58] **Field of Search** D6/524-540, 546-550,
D6/518, 522, 523; D8/349, 354, 363, 373,
380; 211/13, 86-88; 248/235, 250, 304,
309.1, 309.2, 314, 316.8, 316.1

[56] **References Cited**

U.S. PATENT DOCUMENTS

D. 300,998 5/1989 Gresens et al. D6/524

D. 317,692	6/1991	Wang	D6/550
D. 318,590	7/1991	McKeone	D6/524
D. 337,230	7/1993	Wang	D6/550
D. 349,208	8/1994	Bollenbacher	D6/550
D. 394,972	6/1998	Moore et al.	D6/550

Primary Examiner—Brian N. Vinson
Attorney, Agent, or Firm—Edgar A. Zarins; Lloyd D. Doigan

[57] **CLAIM**

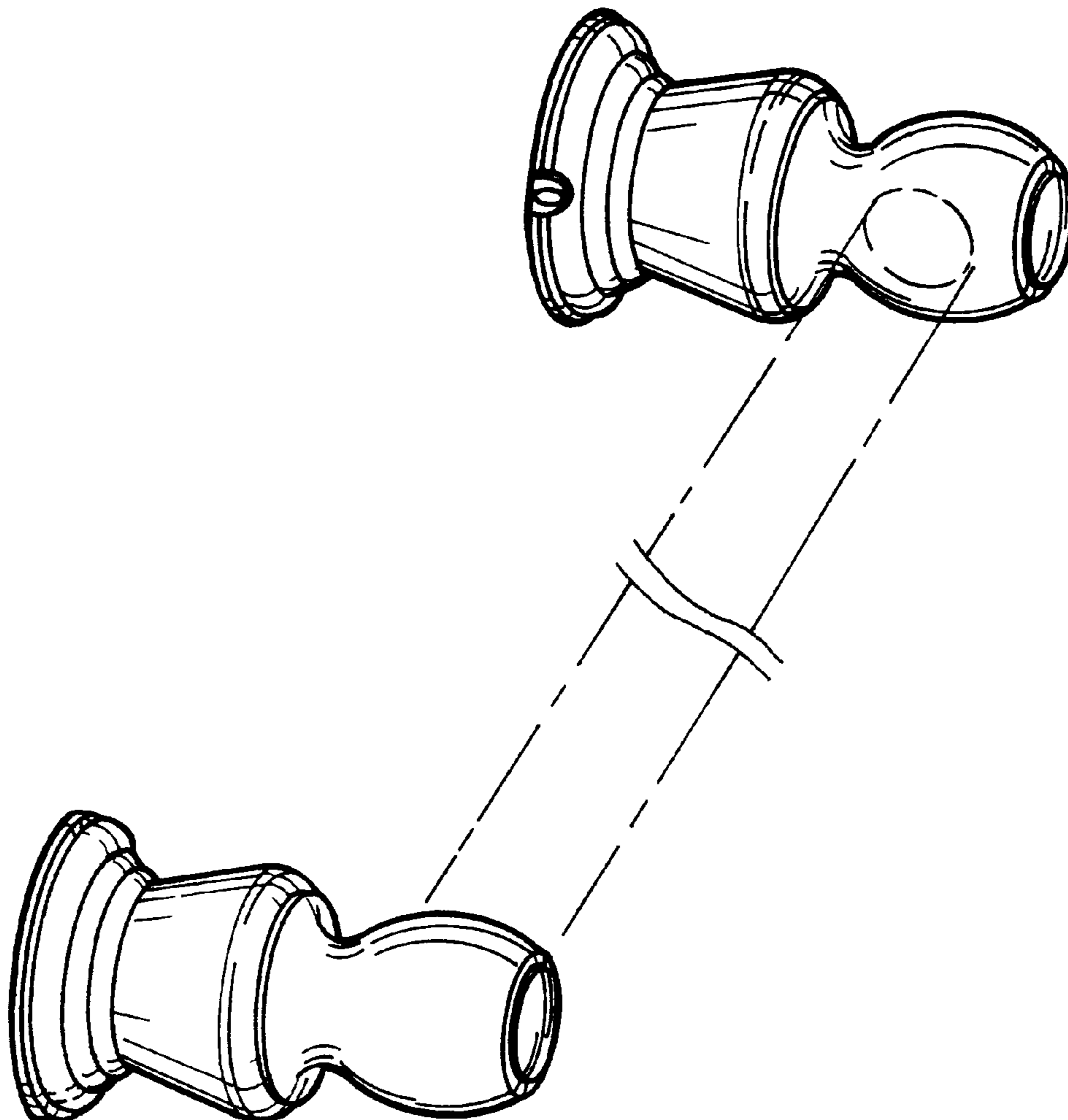
The ornamental design for a bath accessory post set, as shown and described.

DESCRIPTION

FIG. 1 is a perspective view of a bath accessory post set showing our new design;
FIG. 2 is a front elevational view thereof;
FIG. 3 is a side view thereof; and,
FIG. 4 is a top plan view thereof, the opposite side being a mirror image thereof.

The broken-line disclosure of a horizontal rod element in the views is for illustrative purposes only and forms no part of the claimed design.

1 Claim, 2 Drawing Sheets



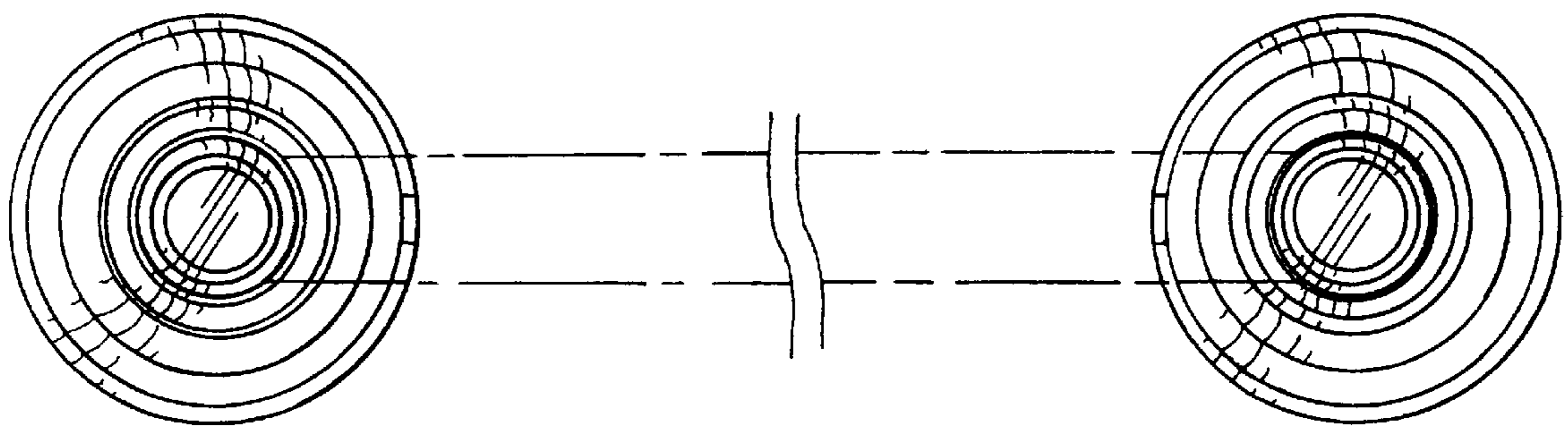
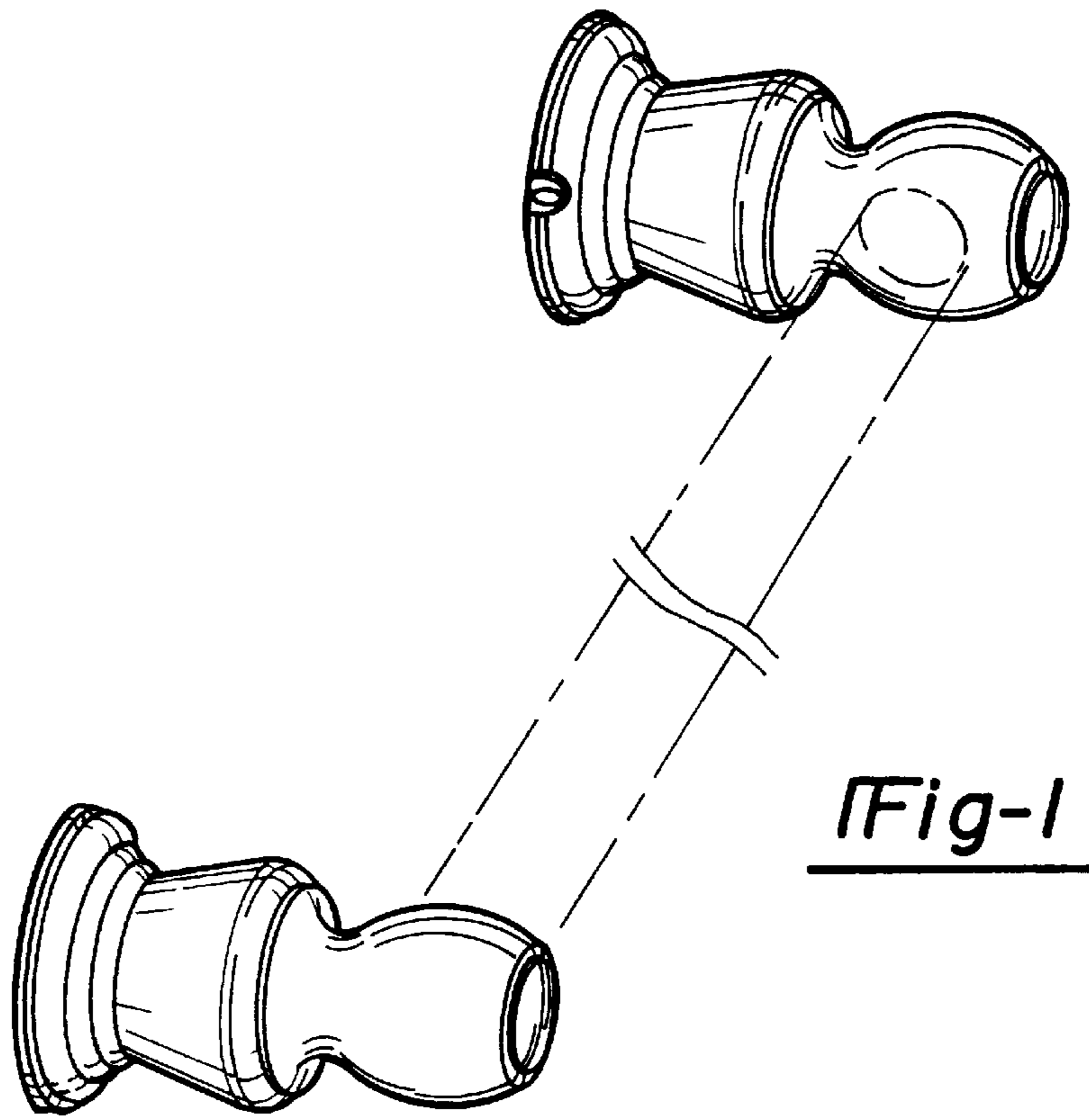


Fig-2

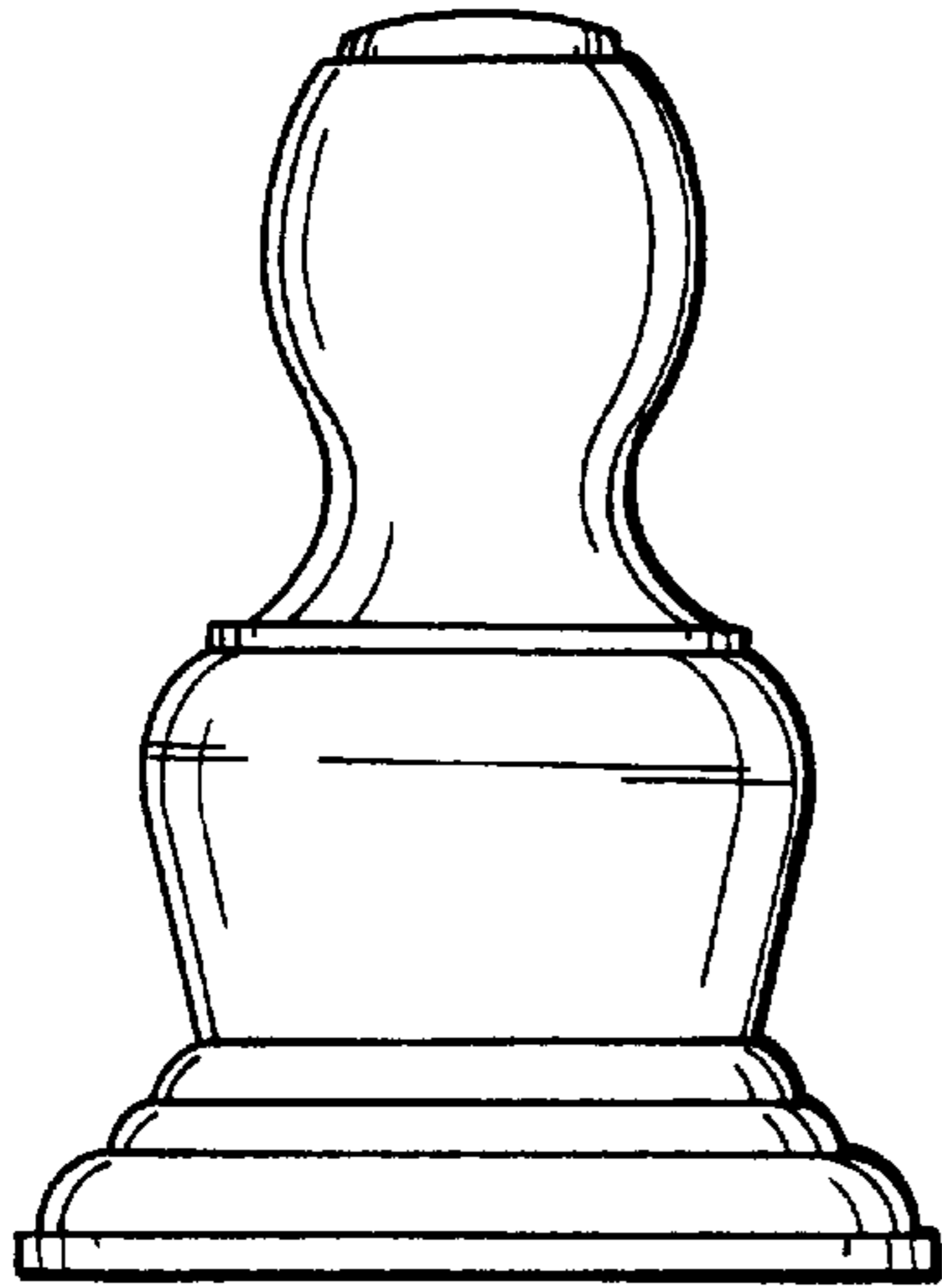


Fig-3

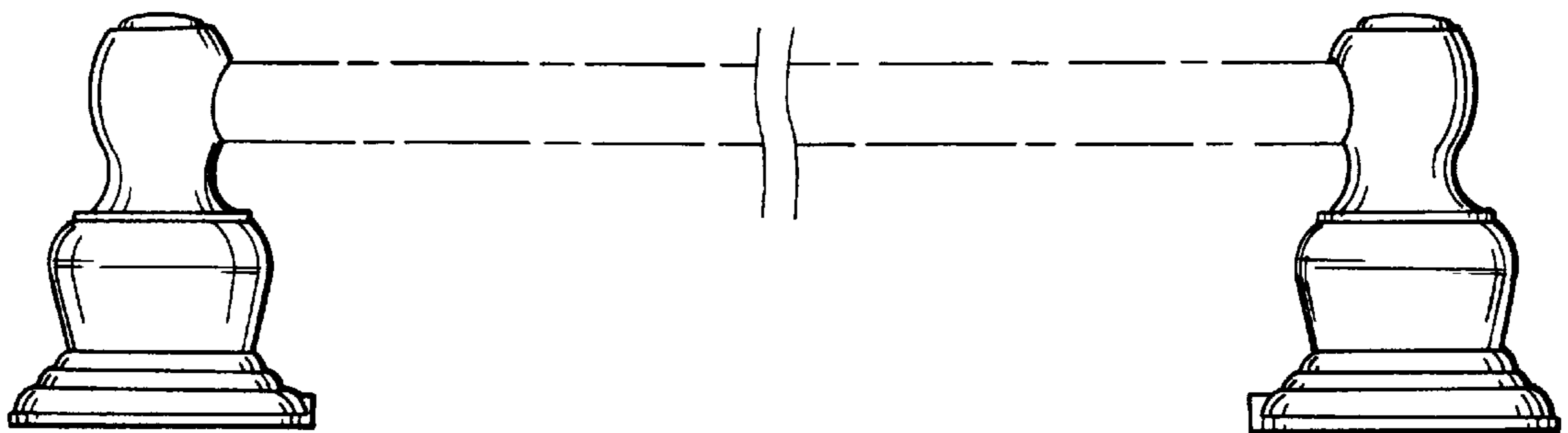


Fig-4