



US00D422823S

# United States Patent [19]

Daansen

[11] Patent Number: Des. 422,823

[45] Date of Patent: \*\* Apr. 18, 2000

[54] SOAP DISPENSER PUMP TIP

[76] Inventor: Warren S. Daansen, 39 Orange St., Nashua, N.H. 03060

[\*\*] Term: 14 Years

[21] Appl. No.: 29/107,416

[22] Filed: Jul. 2, 1999

[51] LOC (6) Cl. .... 23-02

[52] U.S. Cl. .... D6/542; D9/448

[58] Field of Search ..... D6/542-545; D9/448-449, D9/453-454, 439-442; 222/186, 187-189, 180

- D. 383,674 9/1997 Daansen .
- D. 383,675 9/1997 Daansen .
- D. 385,193 10/1997 Daansen .
- D. 396,411 7/1998 Daansen .
- D. 396,589 8/1998 Daansen .
- 3,163,333 12/1964 Boyle et al. .... 222/180
- 4,625,896 12/1986 Rocchelli ..... 222/180
- 4,651,902 3/1987 Hobbs et al. .... 222/180
- 5,464,125 11/1995 Daansen .
- 5,501,372 3/1996 Daansen .

Primary Examiner—Brian N. Vinson  
Attorney, Agent, or Firm—Scott J. Asmus; Vernon C. Maine

## [57] CLAIM

The ornamental shape and design for a soap dispenser pump tip, as shown and described.

## DESCRIPTION

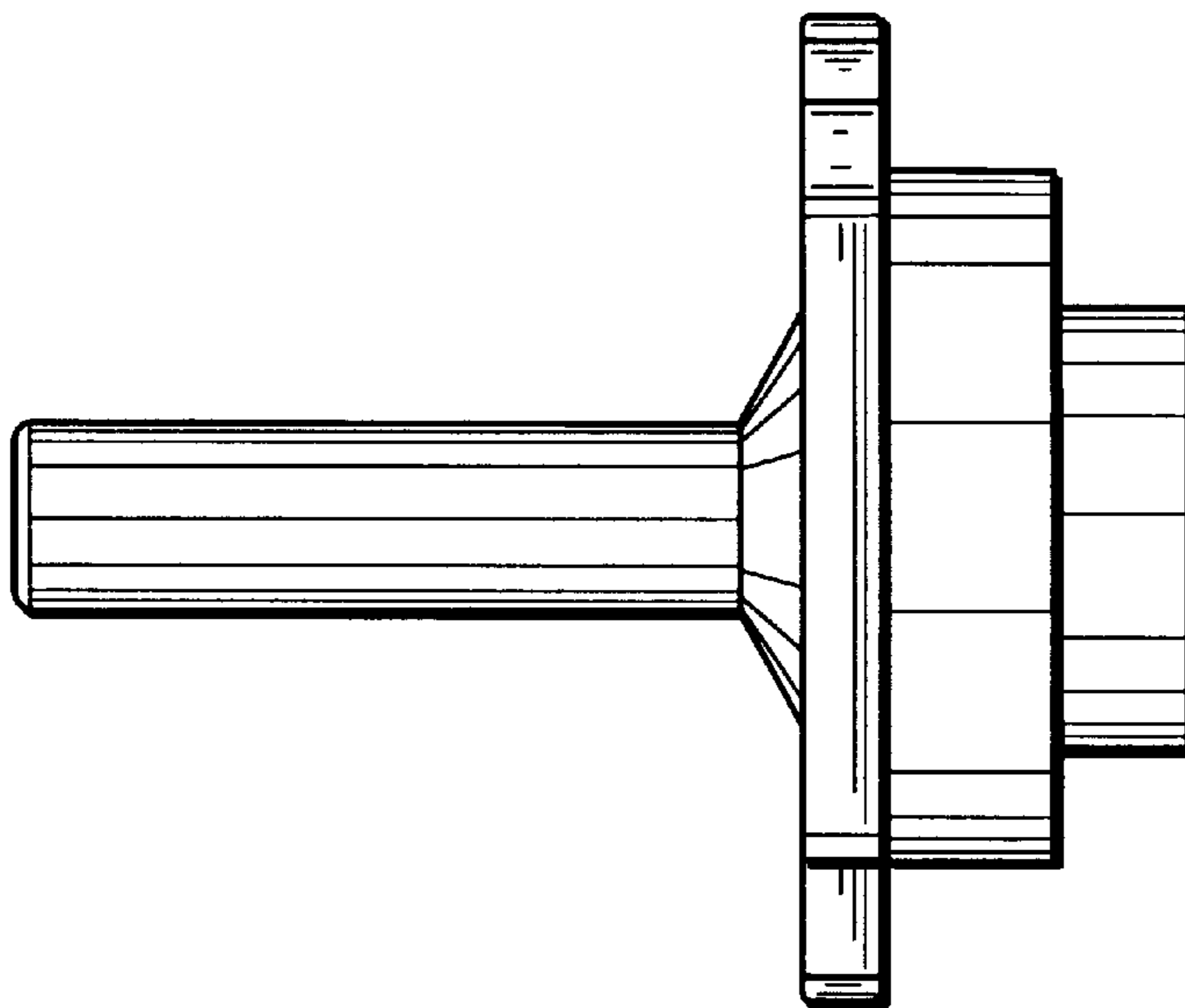
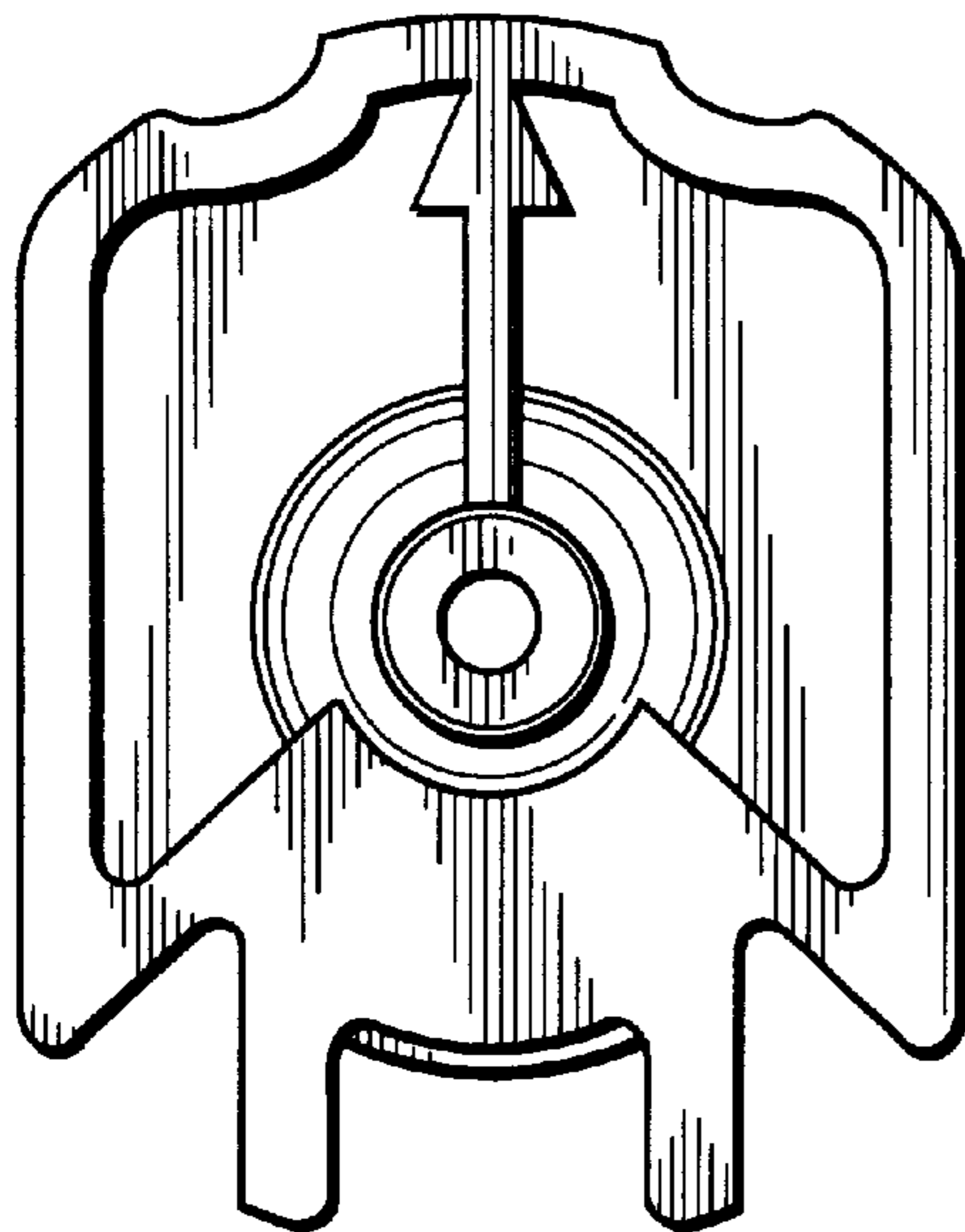
FIG. 1 is a front elevation perspective view of the pump tip showing my new design; FIG. 2 is a rear elevation thereof; FIG. 3 is a side elevation thereof; FIG. 4 is a top plan thereof; and, FIG. 5 is a bottom plan thereof.

1 Claim, 3 Drawing Sheets

## [56] References Cited

### U.S. PATENT DOCUMENTS

- D. 366,833 2/1996 Daansen .
- D. 370,813 6/1996 Daansen .
- D. 370,814 6/1996 Daansen .
- D. 371,514 7/1996 Daansen .
- D. 378,196 2/1997 Daansen .
- D. 378,718 4/1997 Daansen .
- D. 383,673 9/1997 Daansen .



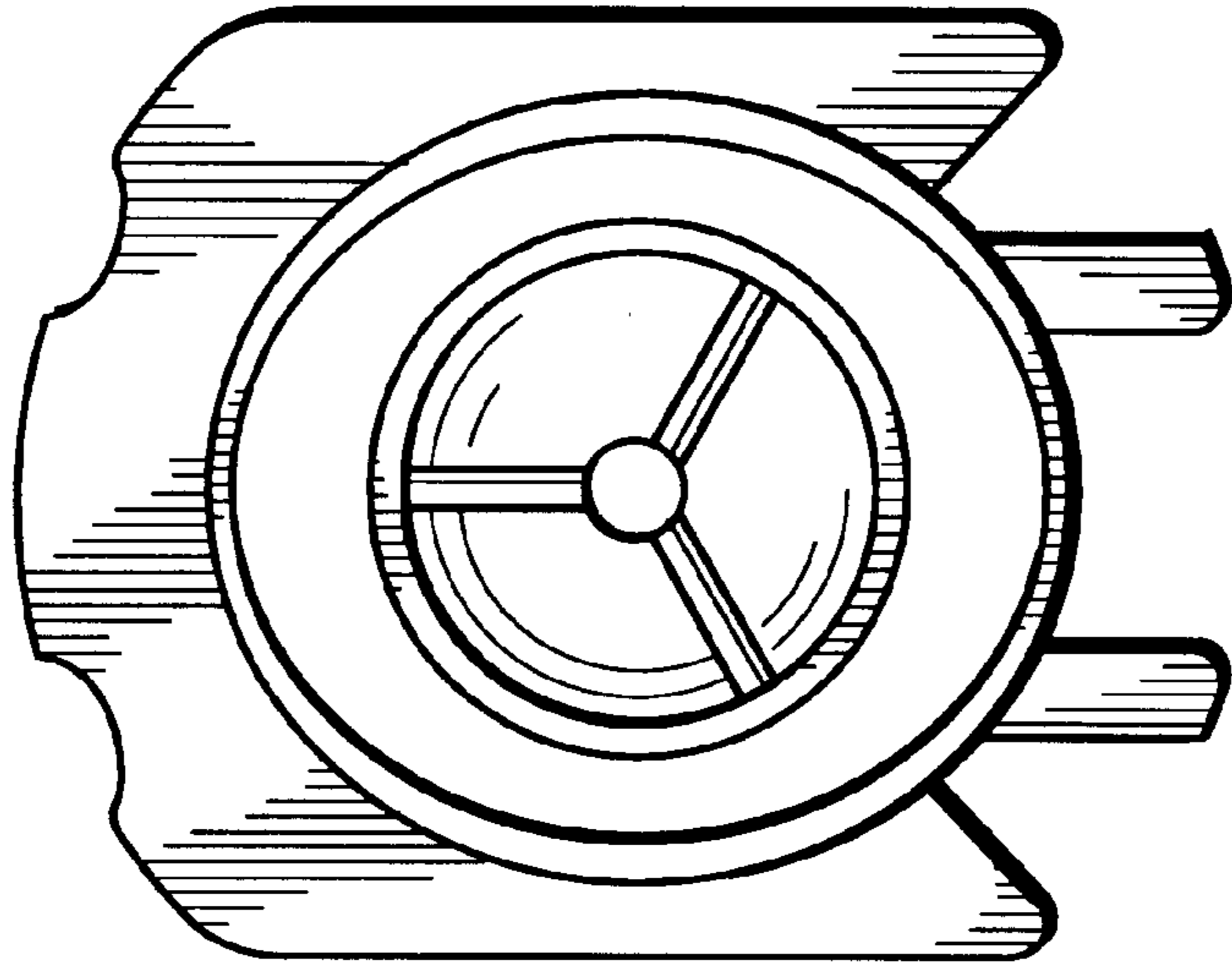


FIG. 2

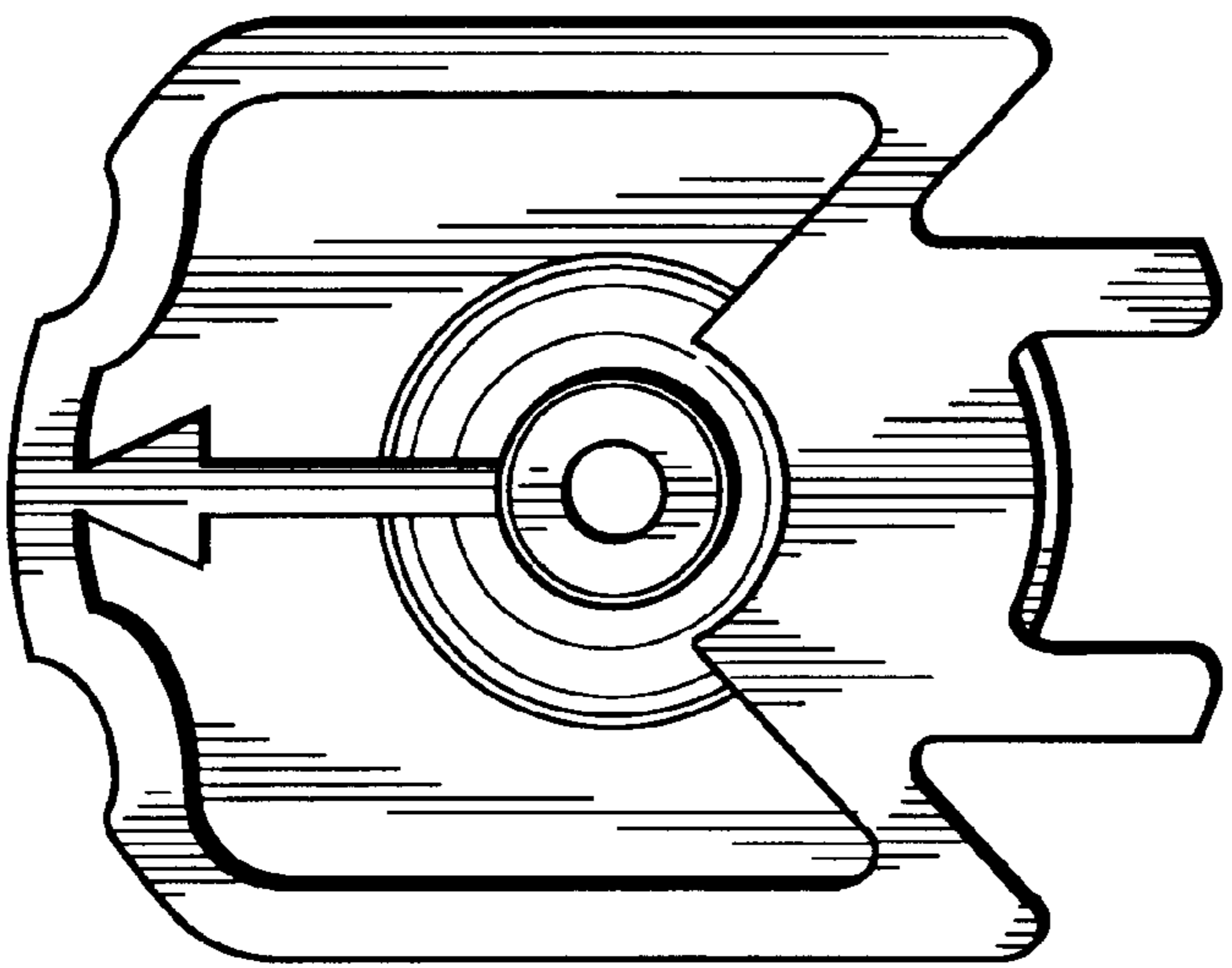


FIG. 1

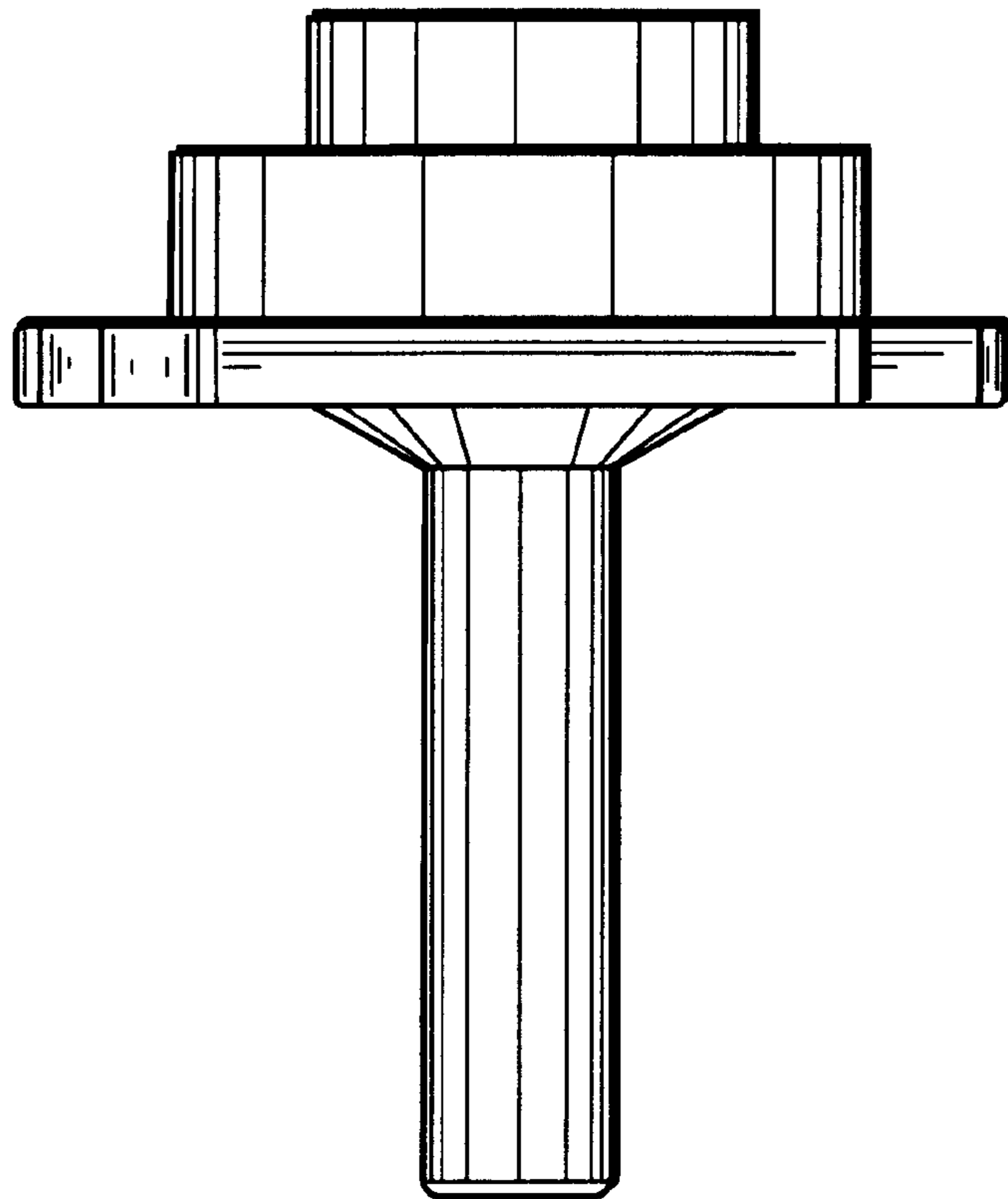


FIG. 3

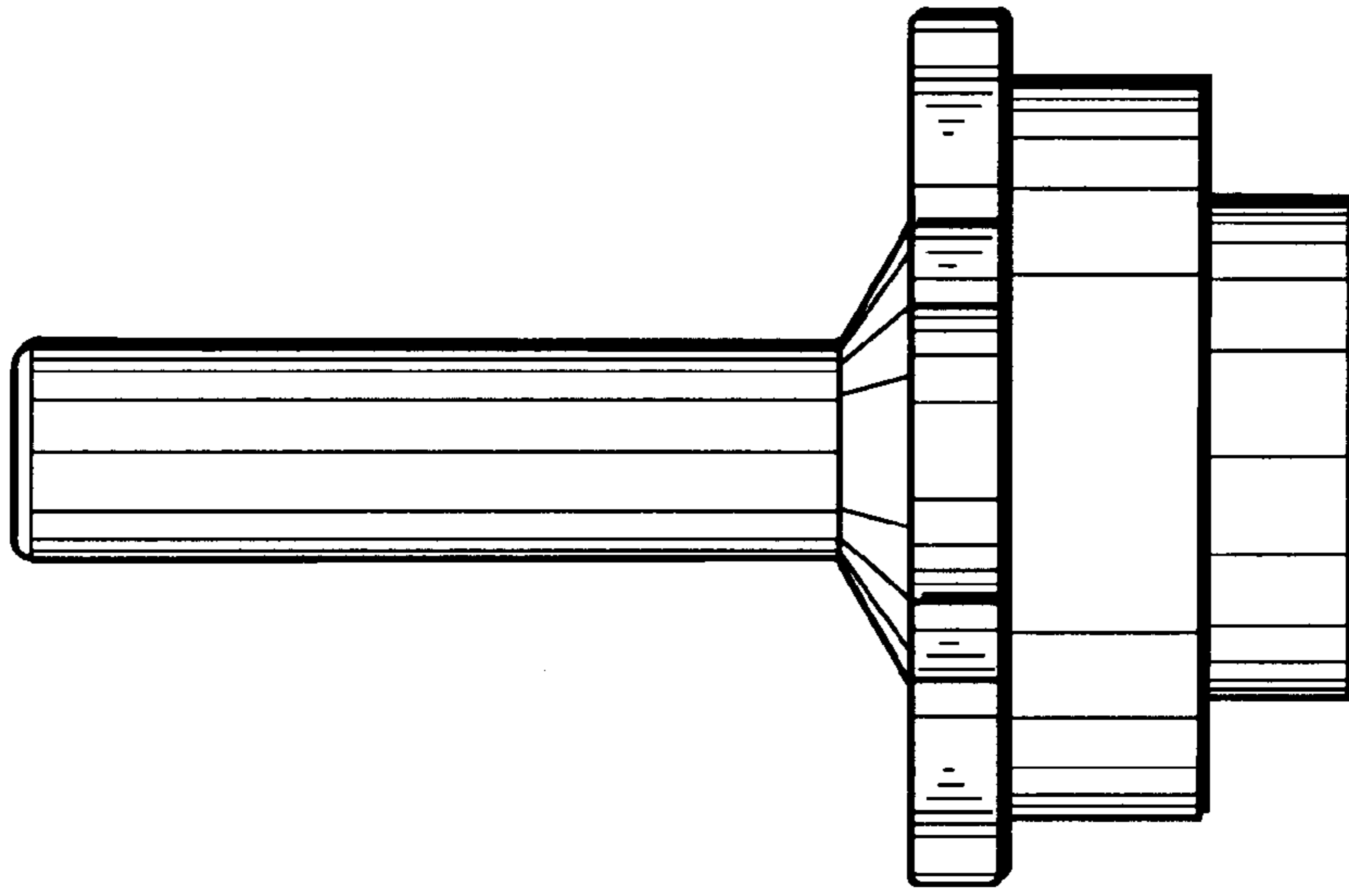


FIG. 5

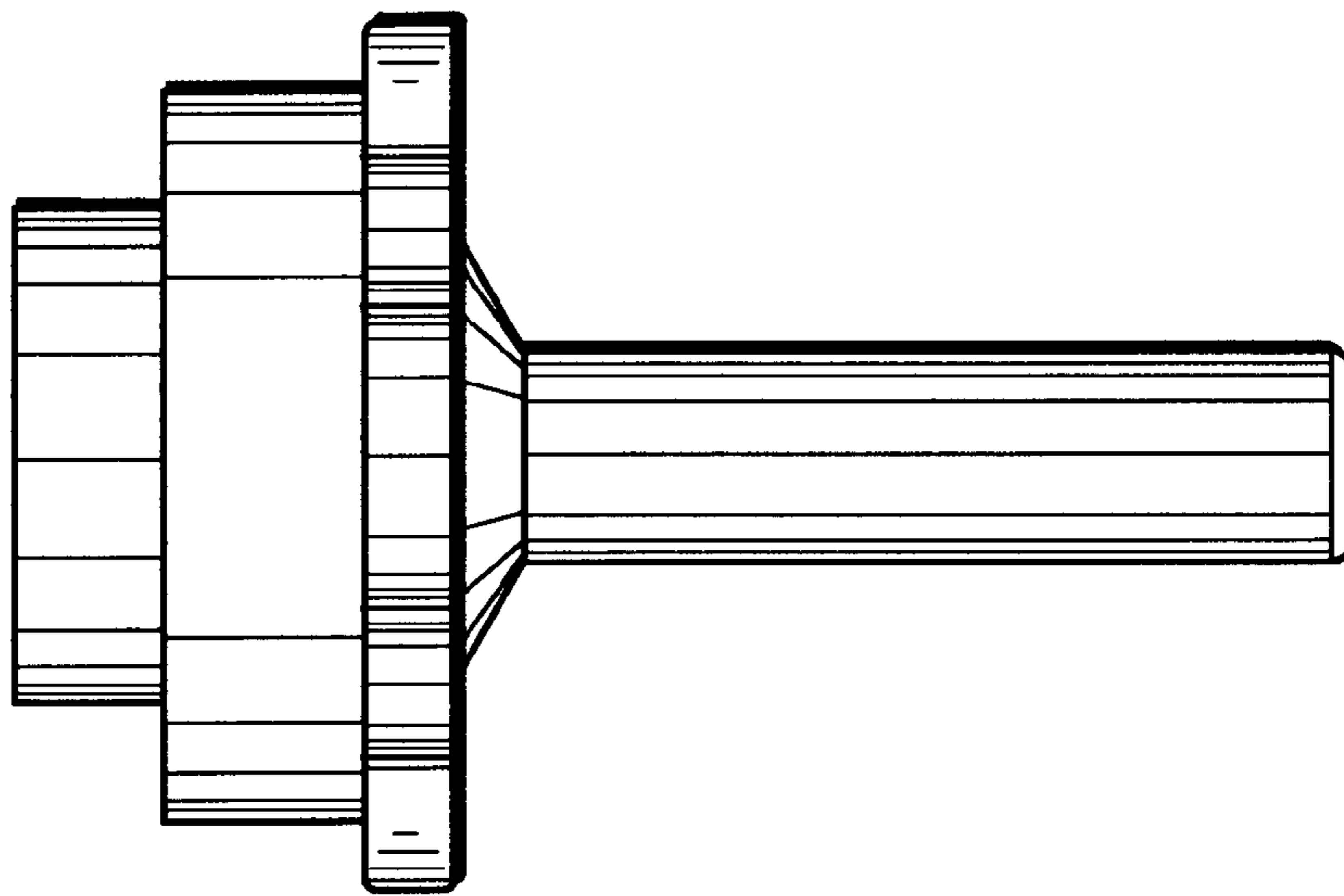


FIG. 4