



US00D422812S

United States Patent [19]

[11] Patent Number: Des. 422,812

Thompson et al.

[45] Date of Patent: ** Apr. 18, 2000

[54] TABLE LEG STRUCTURE

[75] Inventors: **James J. Thompson; Adam A. Luedke**, both of Holland, Mich.

[73] Assignee: **Trendway Corporation**, Holland, Mich.

[**] Term: **14 Years**

[21] Appl. No.: **29/100,122**

[22] Filed: **Feb. 4, 1999**

[51] **LOC (6) Cl.** **06-06**

[52] **U.S. Cl.** **D6/495**

[58] **Field of Search** D6/480-489, 495, D6/496, 429; 248/188, 188.1, 188.7, 188.8; 108/153.1, 155, 156, 157.1, 161

[56] References Cited

U.S. PATENT DOCUMENTS

D. 320,320	10/1991	Ditshuizen	D6/422
D. 330,302	10/1992	Heidmann	D6/495
D. 339,483	9/1993	Hollington	D6/429
3,391,886	7/1968	Schulz	D6/498
3,688,705	9/1972	Barabas	.	
4,109,588	8/1978	Powers	.	
5,186,425	2/1993	Keusch et al.	.	

Primary Examiner—Janice E. Seeger

Attorney, Agent, or Firm—Rader, Fishman, Grauer & McGarry

[57] CLAIM

The ornamental design for a table leg structure, as shown and described.

DESCRIPTION

FIG. 1 is a perspective view of a first embodiment of a design for a table leg structure according to the invention; FIG. 2 is a left side elevational view of the table leg structure of FIG. 1;

FIG. 3 is a right side elevational view of the table leg structure of FIG. 1;

FIG. 4 is a top plan view of the leg structure of FIG. 1;

FIG. 5 is a bottom plan view of the leg structure of FIG. 1;

FIG. 6 is a front elevational view of the table leg structure of FIG. 1;

FIG. 7 is a rear elevation view of the table leg structure of FIG. 1;

FIG. 8 is a perspective view of a second embodiment of a table leg structure according to the invention;

FIG. 9 is a right side elevational view of the table leg structure of FIG. 8, the left side elevational view being a mirror image thereof;

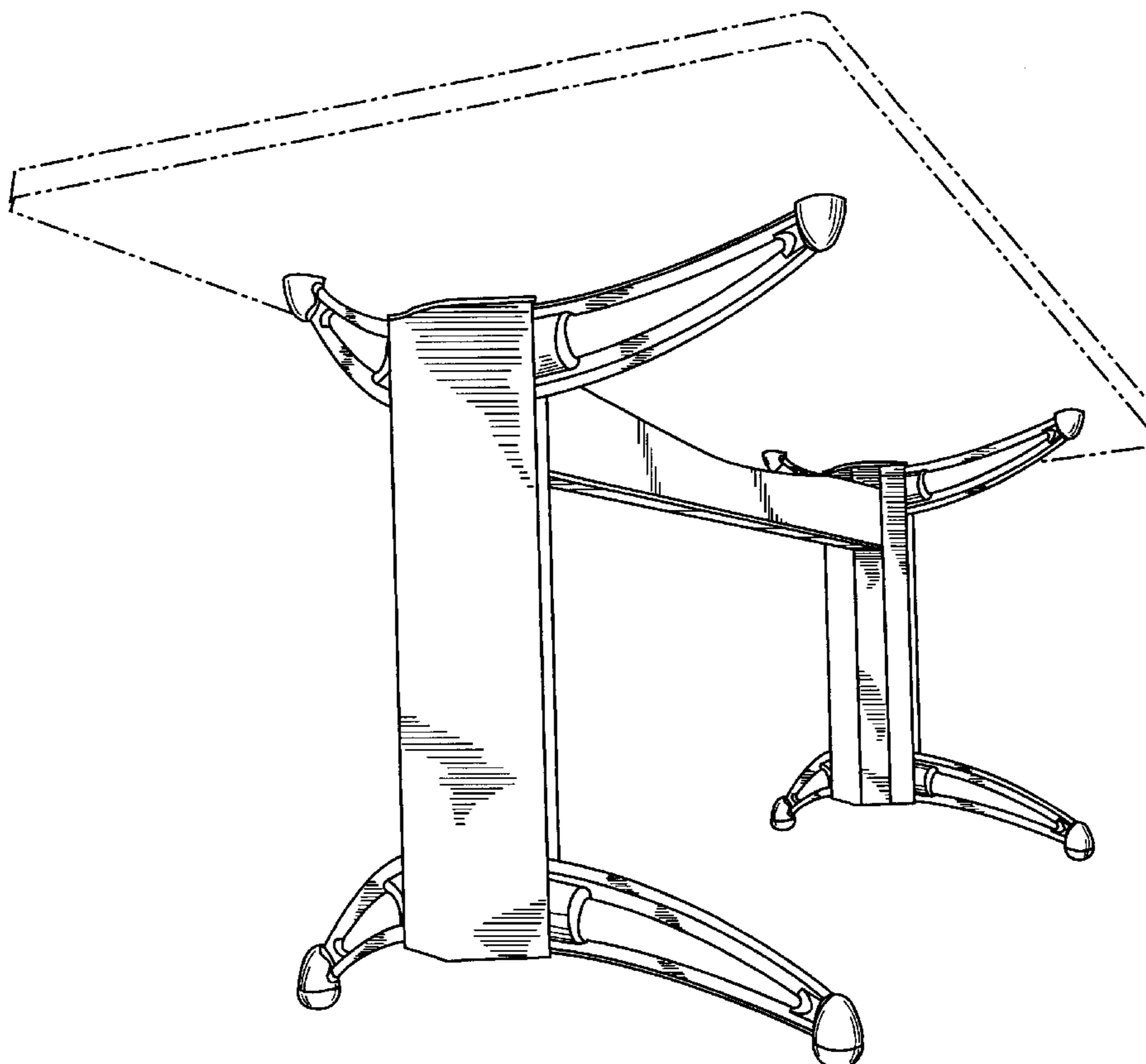
FIG. 10 is a front elevation view of the table leg structure of FIG. 8;

FIG. 11 is a rear elevational view of the table leg structure of FIG. 8; and,

FIG. 12 is a top plan view of the table leg structure of FIG. 8, the bottom plan view being a mirror image thereof.

The broken lines are for environmental purposes only and form no part of the claimed design.

1 Claim, 8 Drawing Sheets



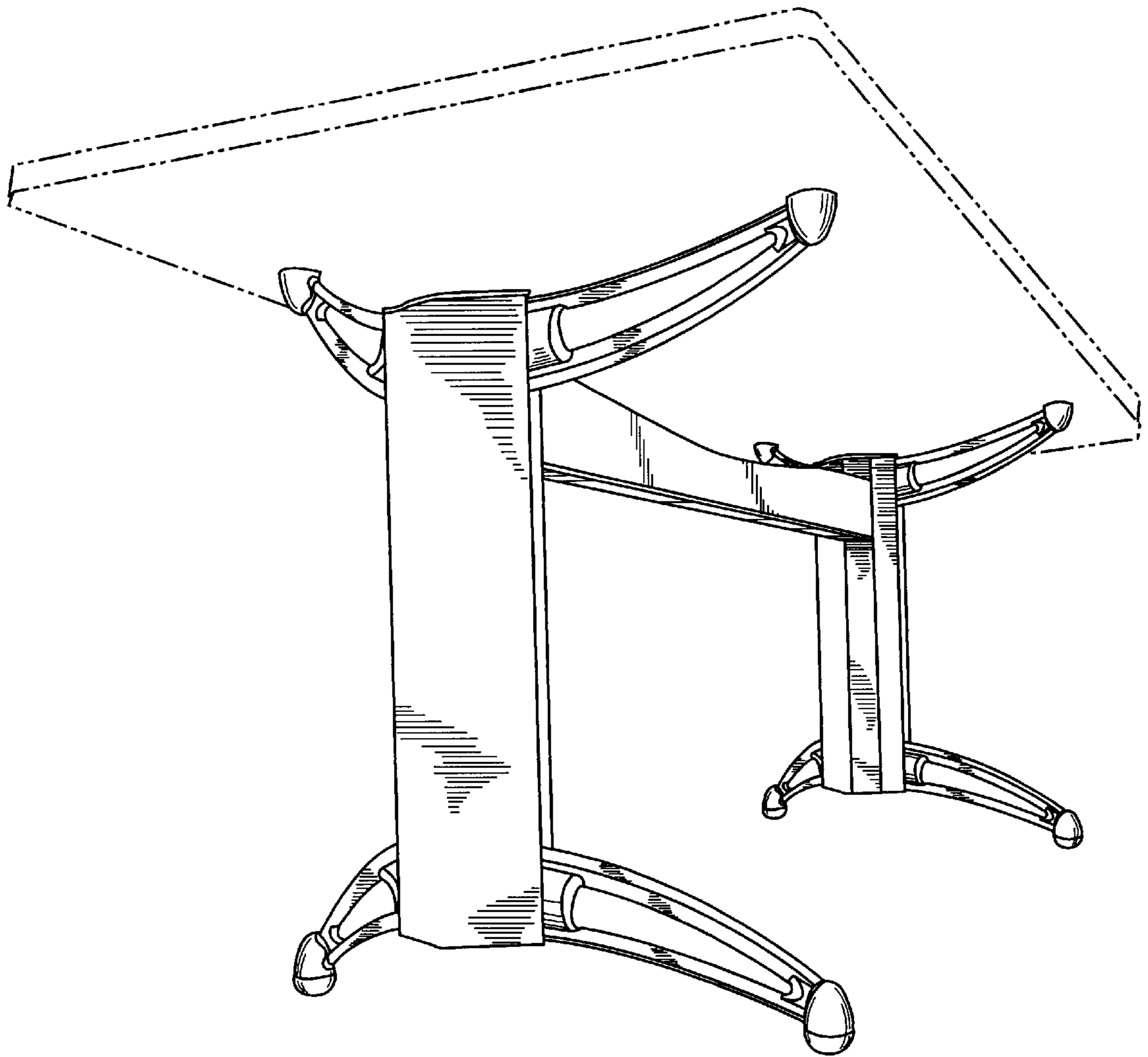


Fig. 1

Fig. 2

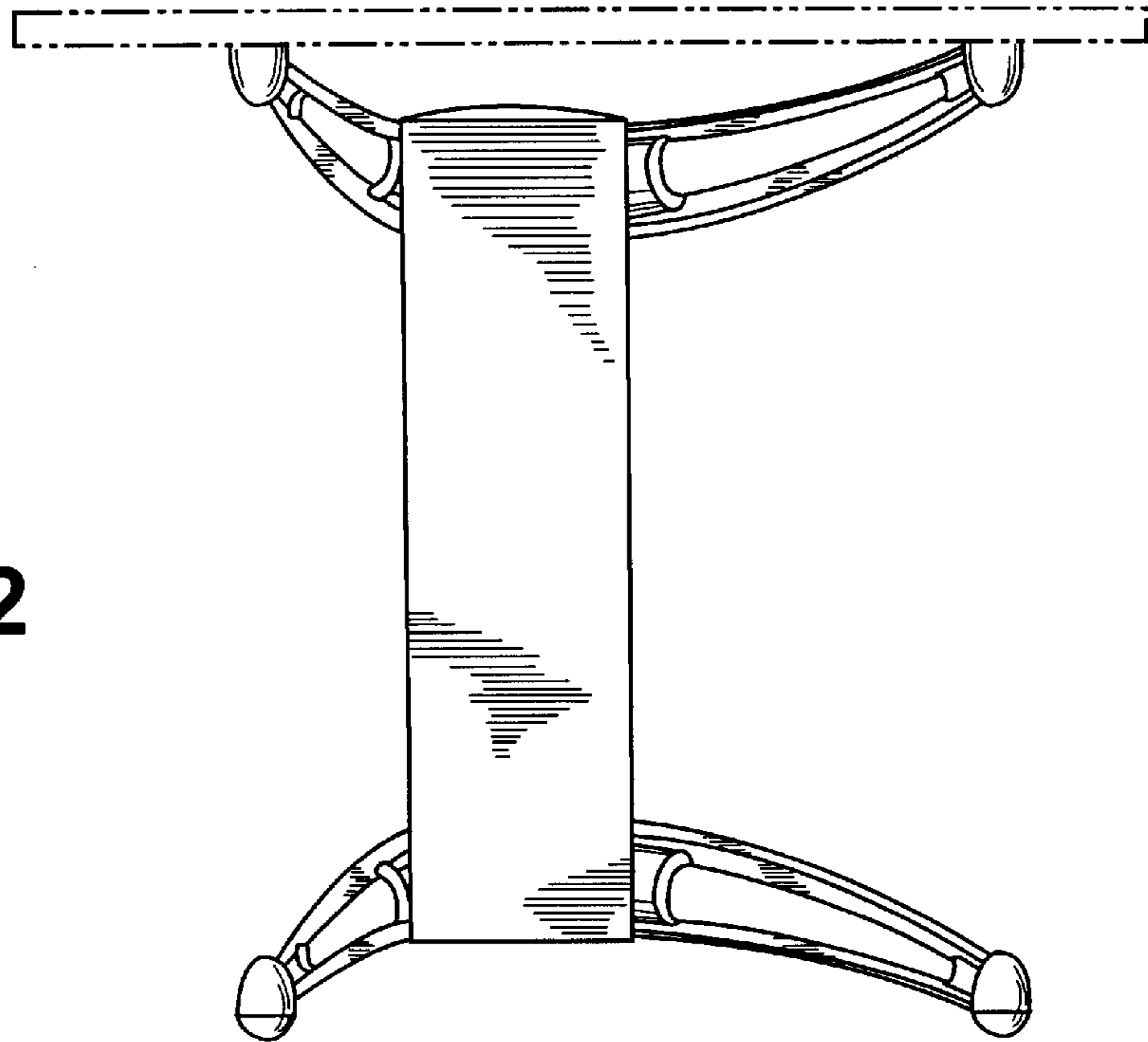
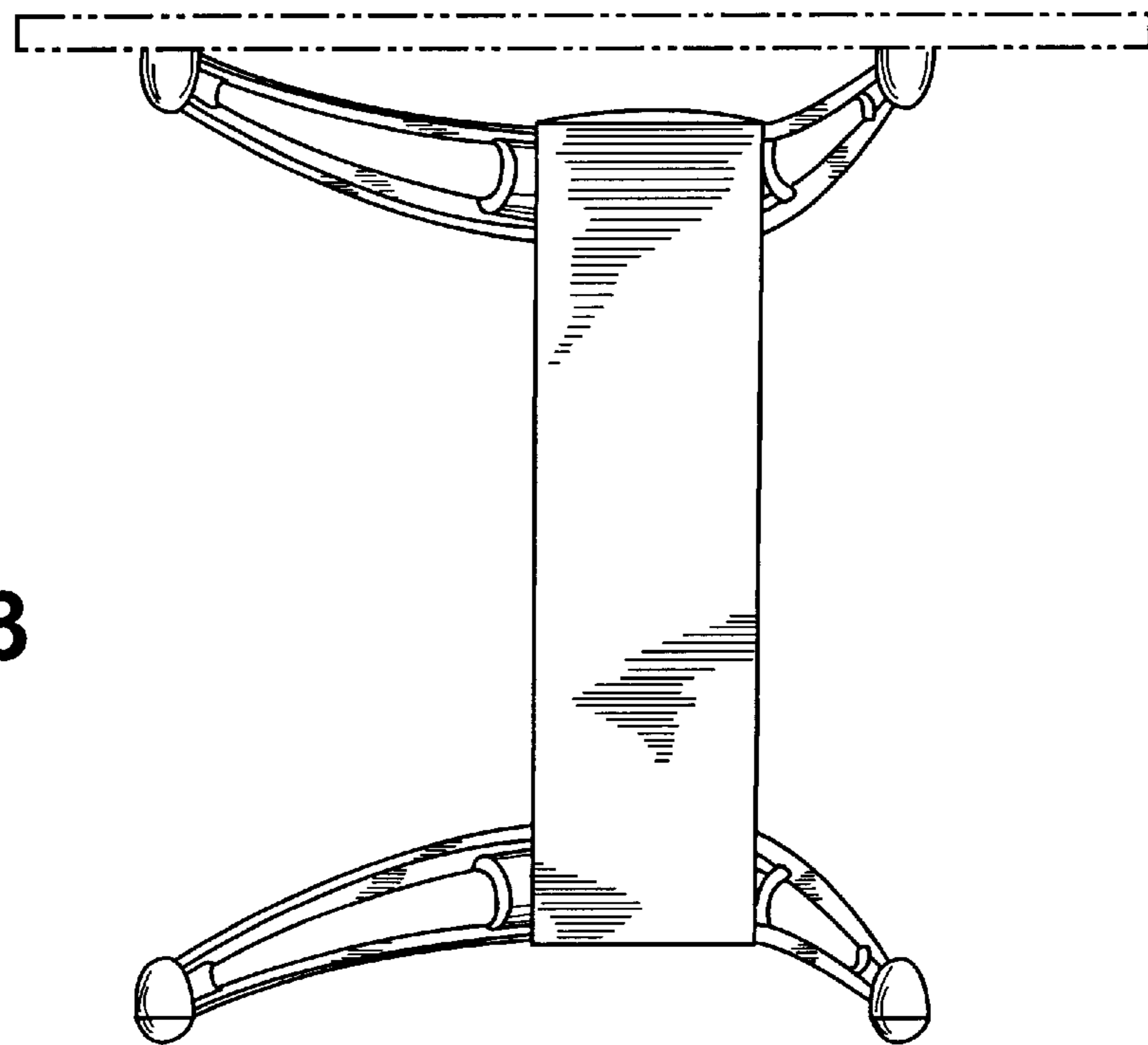


Fig. 3



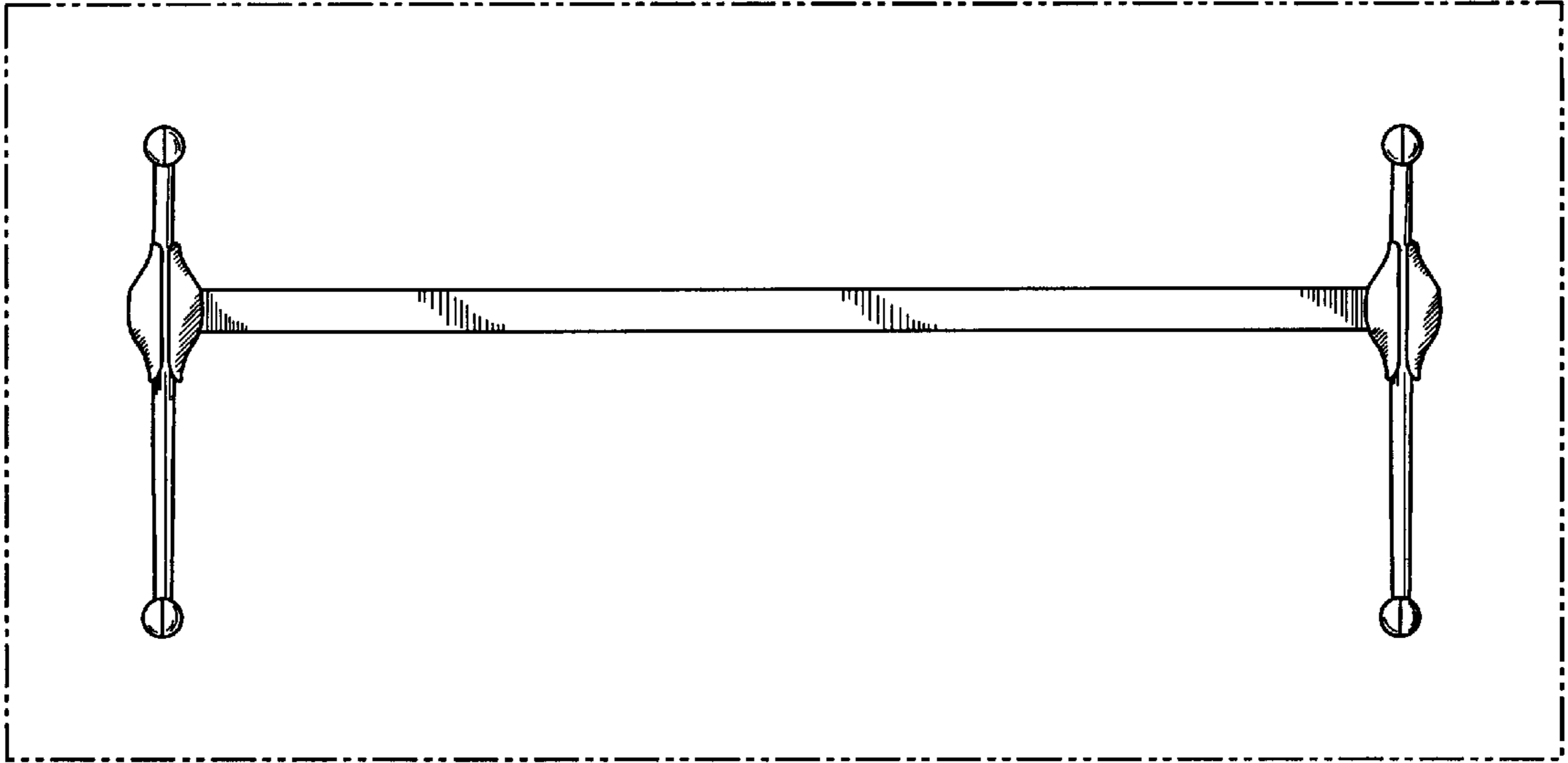


Fig. 4

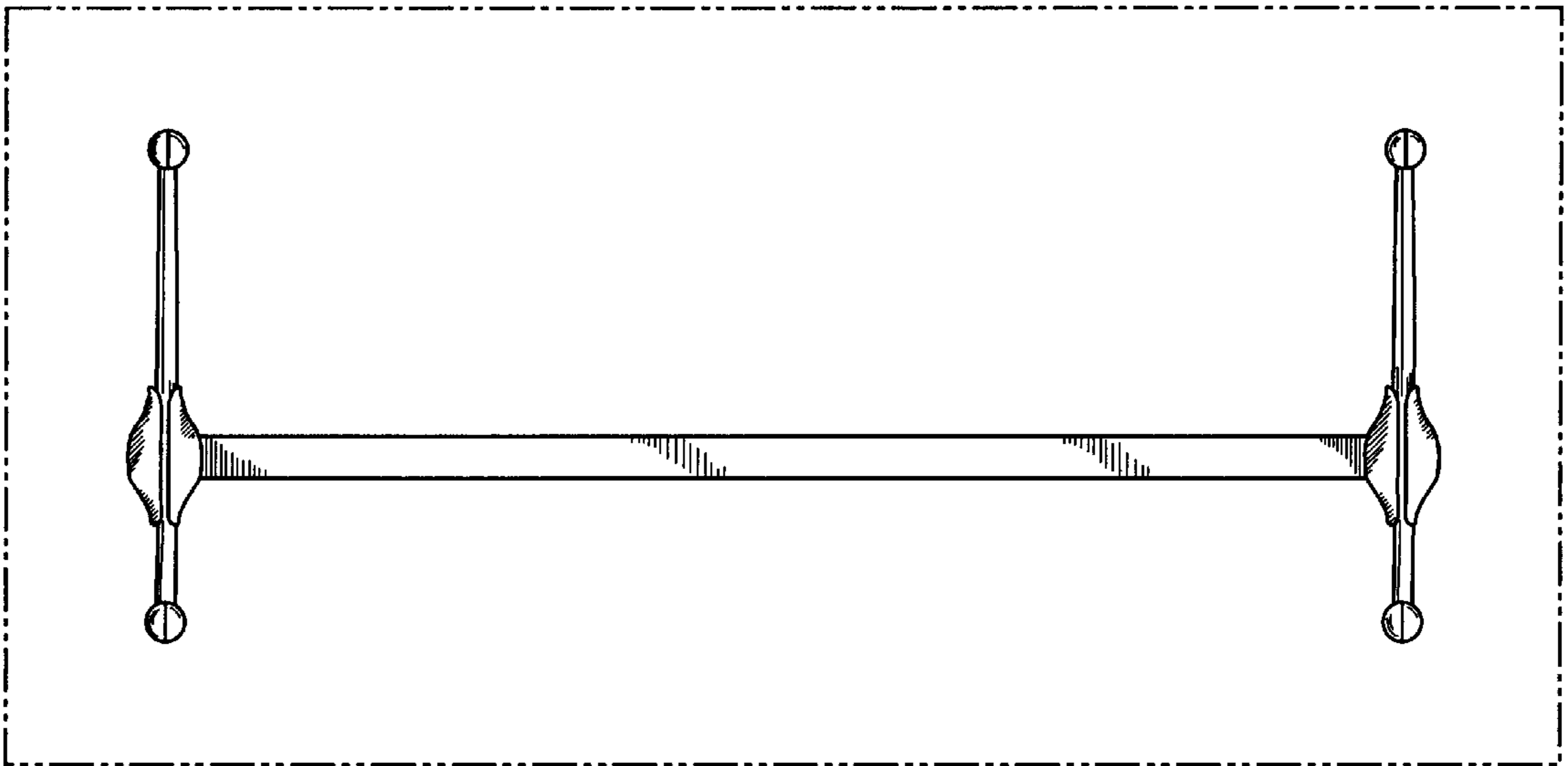


Fig. 5

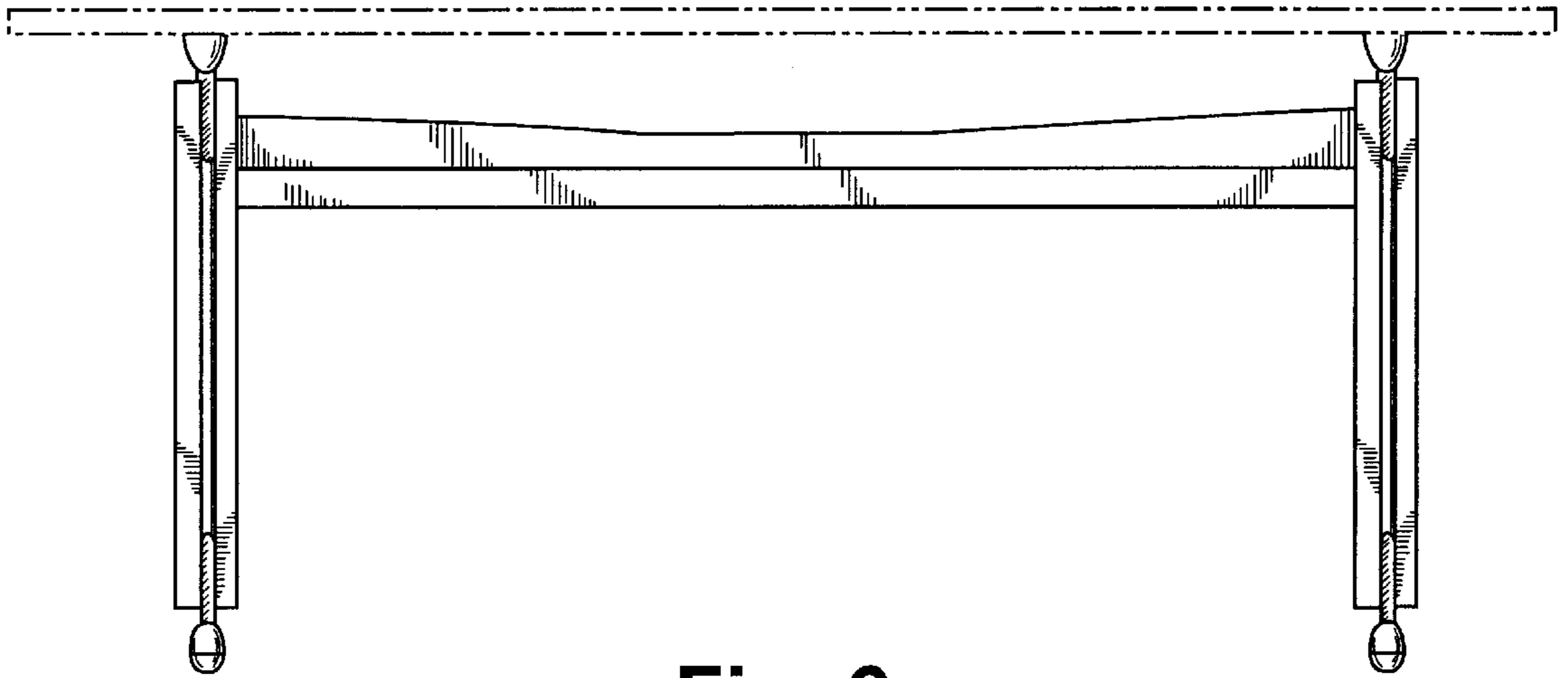


Fig. 6

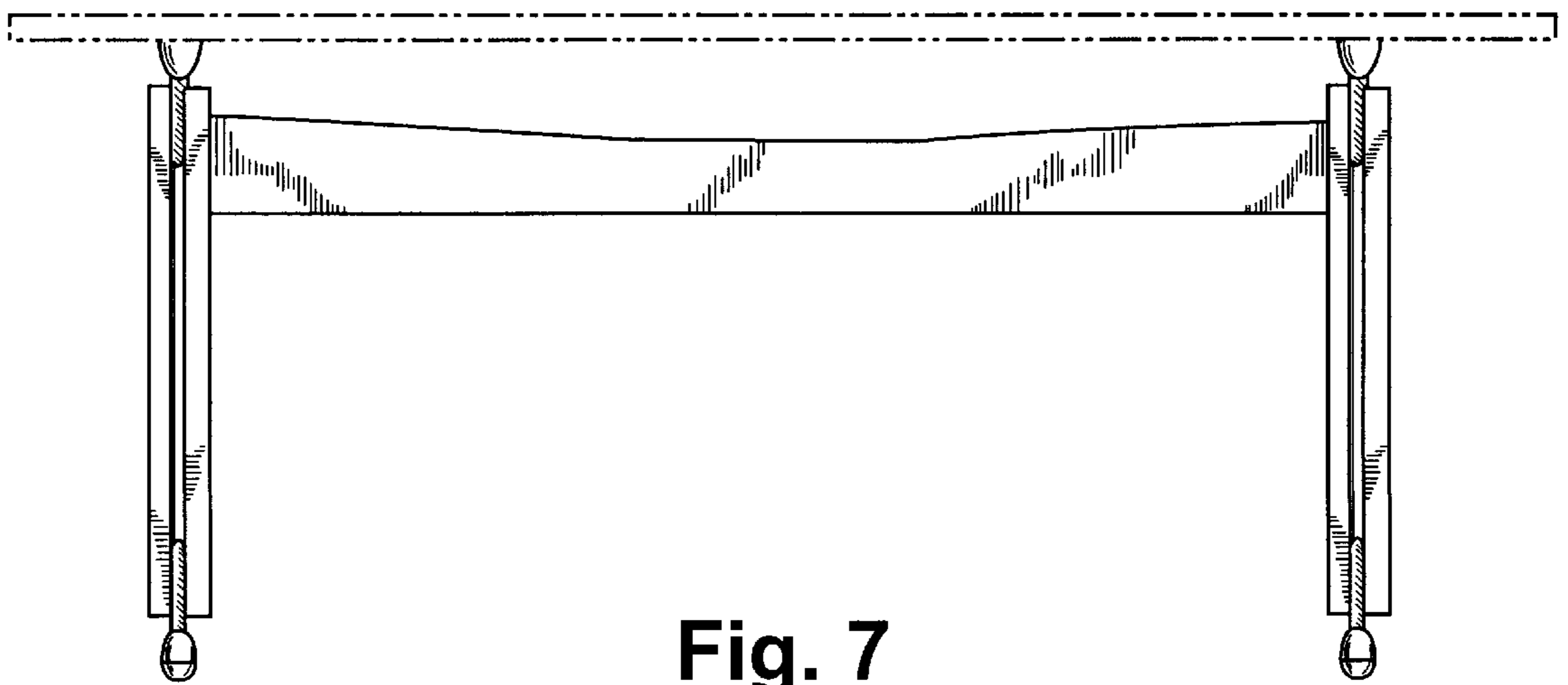


Fig. 7

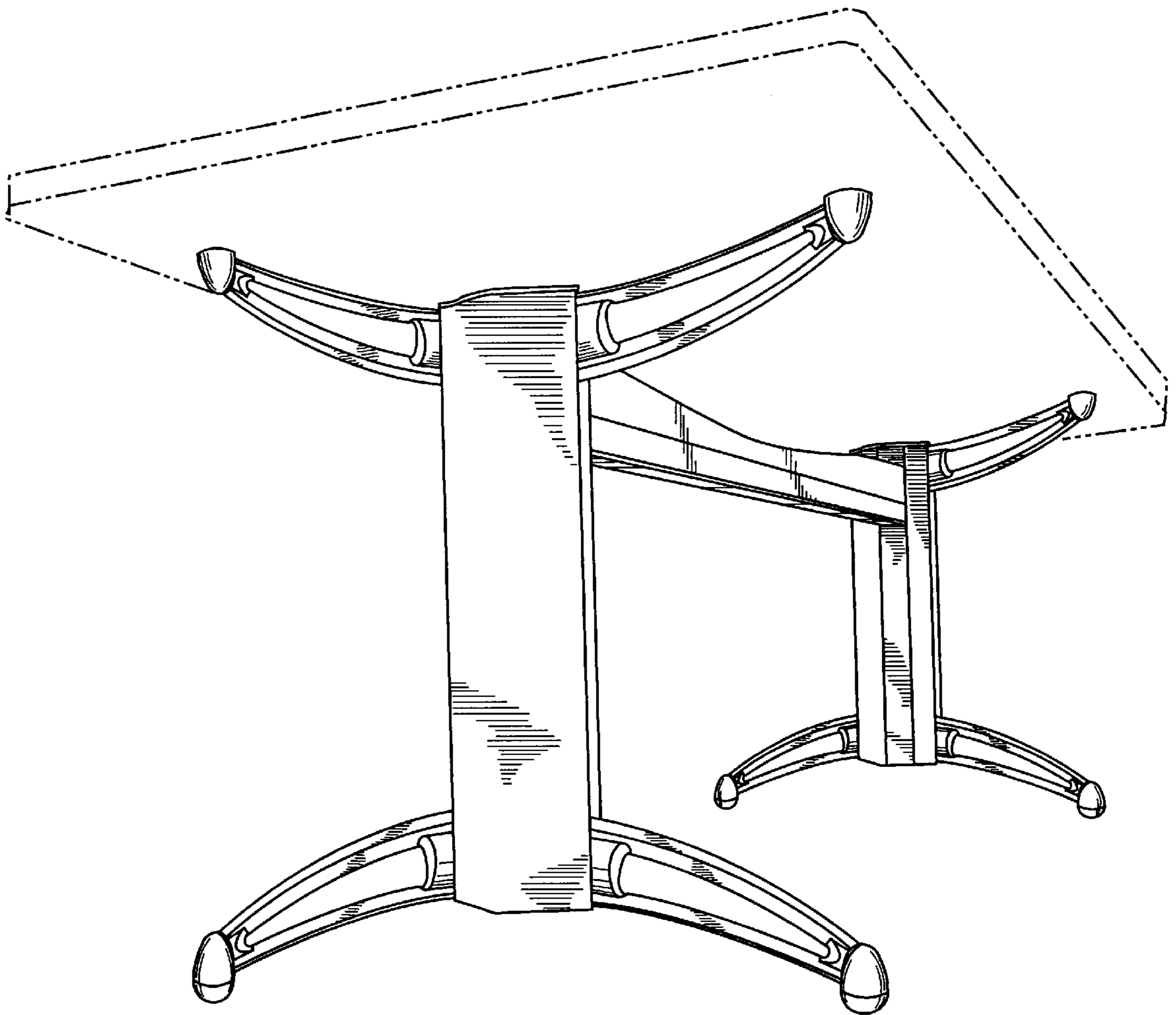


Fig. 8

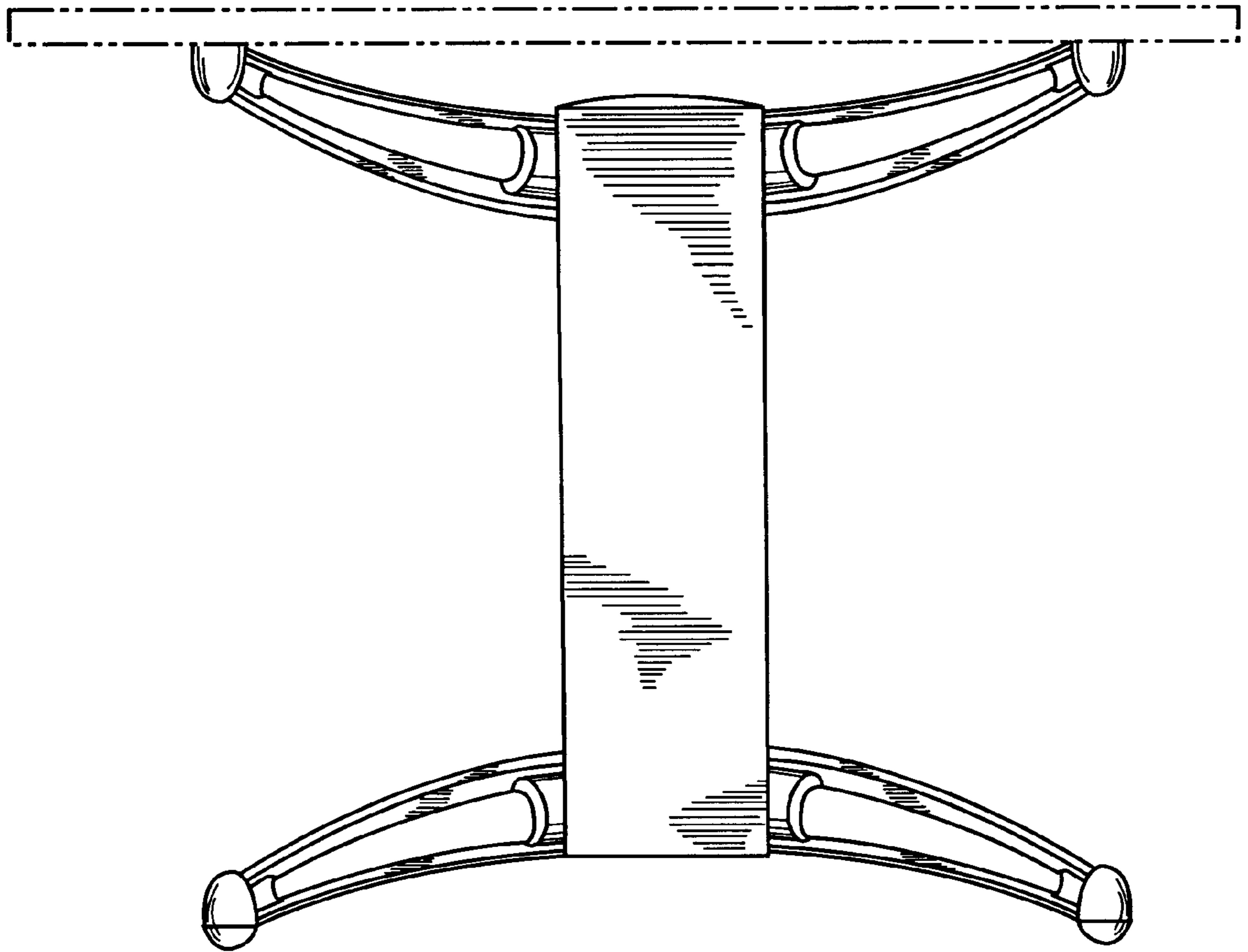


Fig. 9

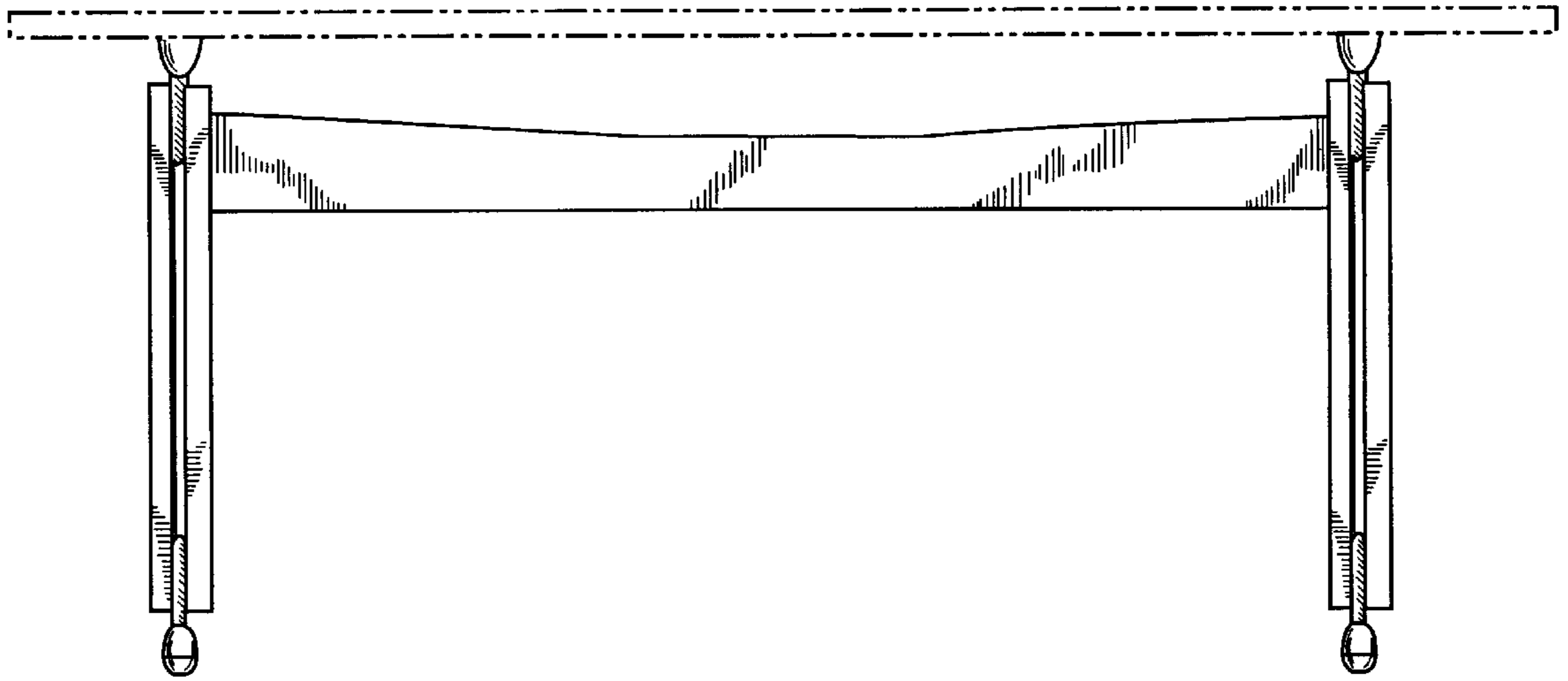


Fig. 10

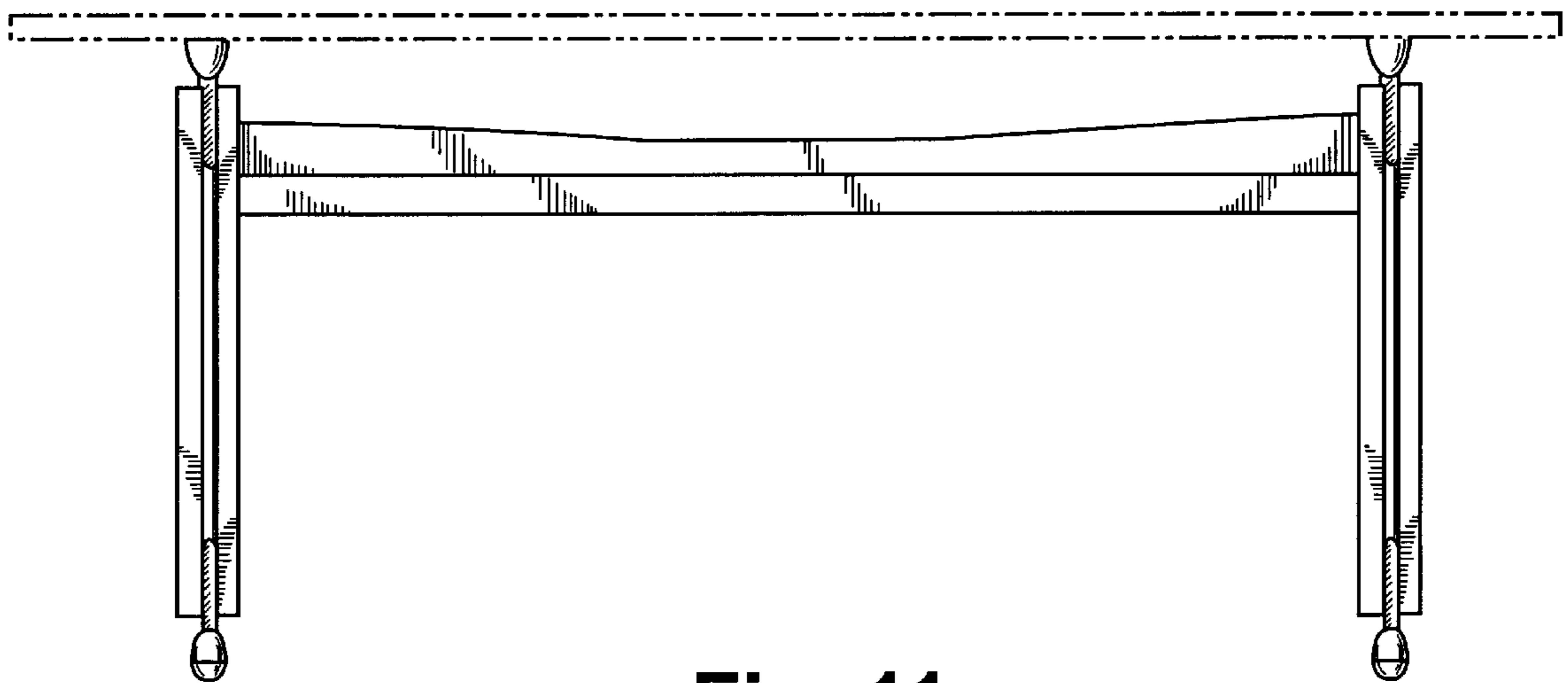


Fig. 11

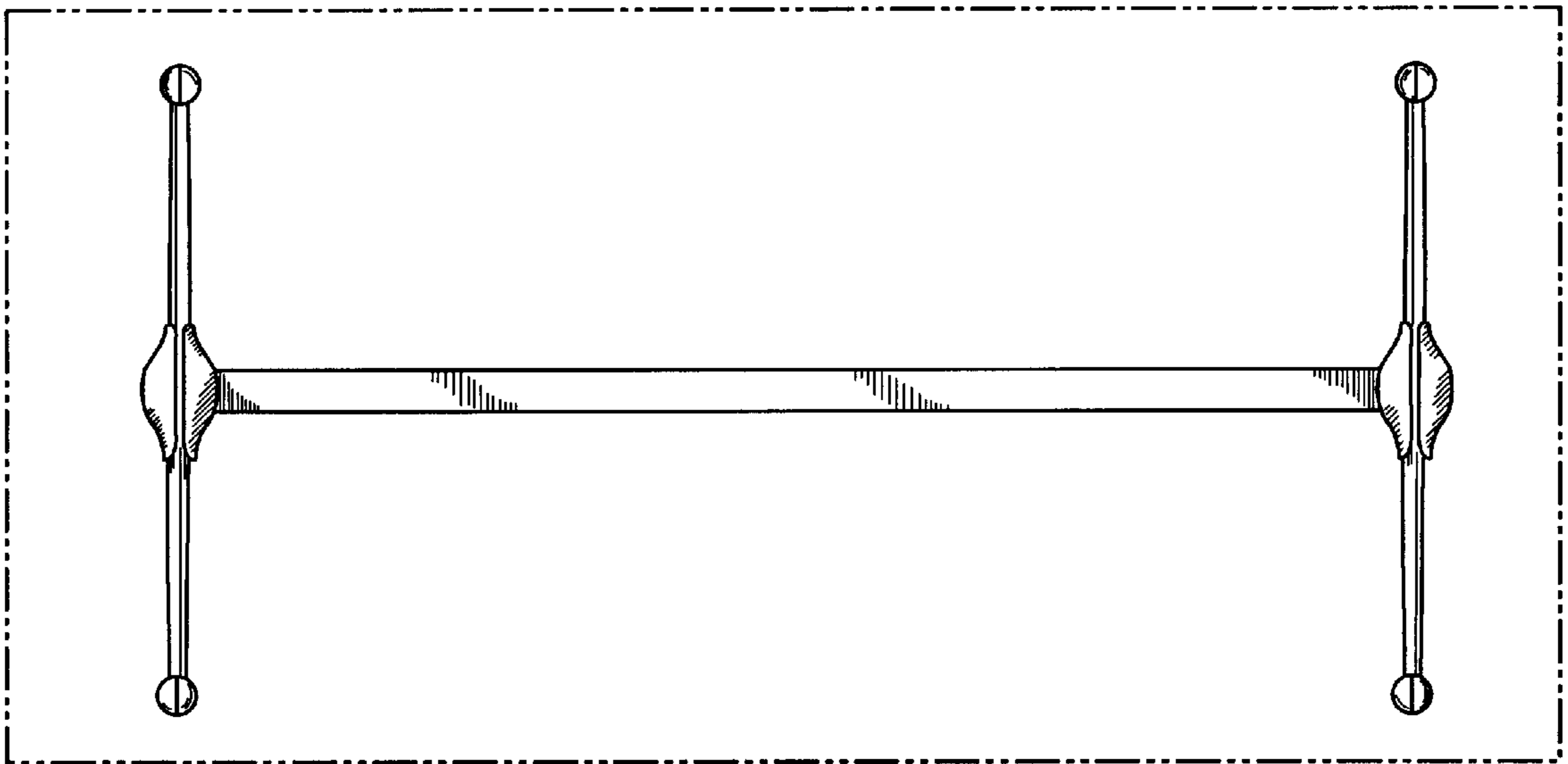


Fig. 12