



US00D422810S

United States Patent [19] Rasp

[11] **Patent Number: Des. 422,810**

[45] **Date of Patent: ** Apr. 18, 2000**

[54] **COFFEE/SIDE TABLE**

5,310,146 5/1994 Maguire 248/188.2

[76] Inventor: **Sabine Gertraud Rasp**, 12 Keswick Road, SW 15 2JN London, United Kingdom

OTHER PUBLICATIONS

DIA, Quorum.

[**] Term: **14 Years**

Primary Examiner—Janice E. Seeger

[21] Appl. No.: **29/096,513**

[22] Filed: **Nov. 13, 1998**

[57] CLAIM

The ornamental design for a coffee/side table, as shown and described.

[30] Foreign Application Priority Data

May 28, 1998 [GB] United Kingdom 2074953

DESCRIPTION

[51] **LOC (6) Cl.** **06-03**

[52] **U.S. Cl.** **D6/480; D6/470; D6/486**

[58] **Field of Search** D6/480-489, 495, D6/429, 511, 470; 108/150, 153.1, 155, 156, 157.1, 161

FIG. 1 is a perspective view of a coffee/side table showing my new design;

FIG. 2 is a side view thereof. All side views are identical; AND,

FIG. 3 is a bottom view thereof.

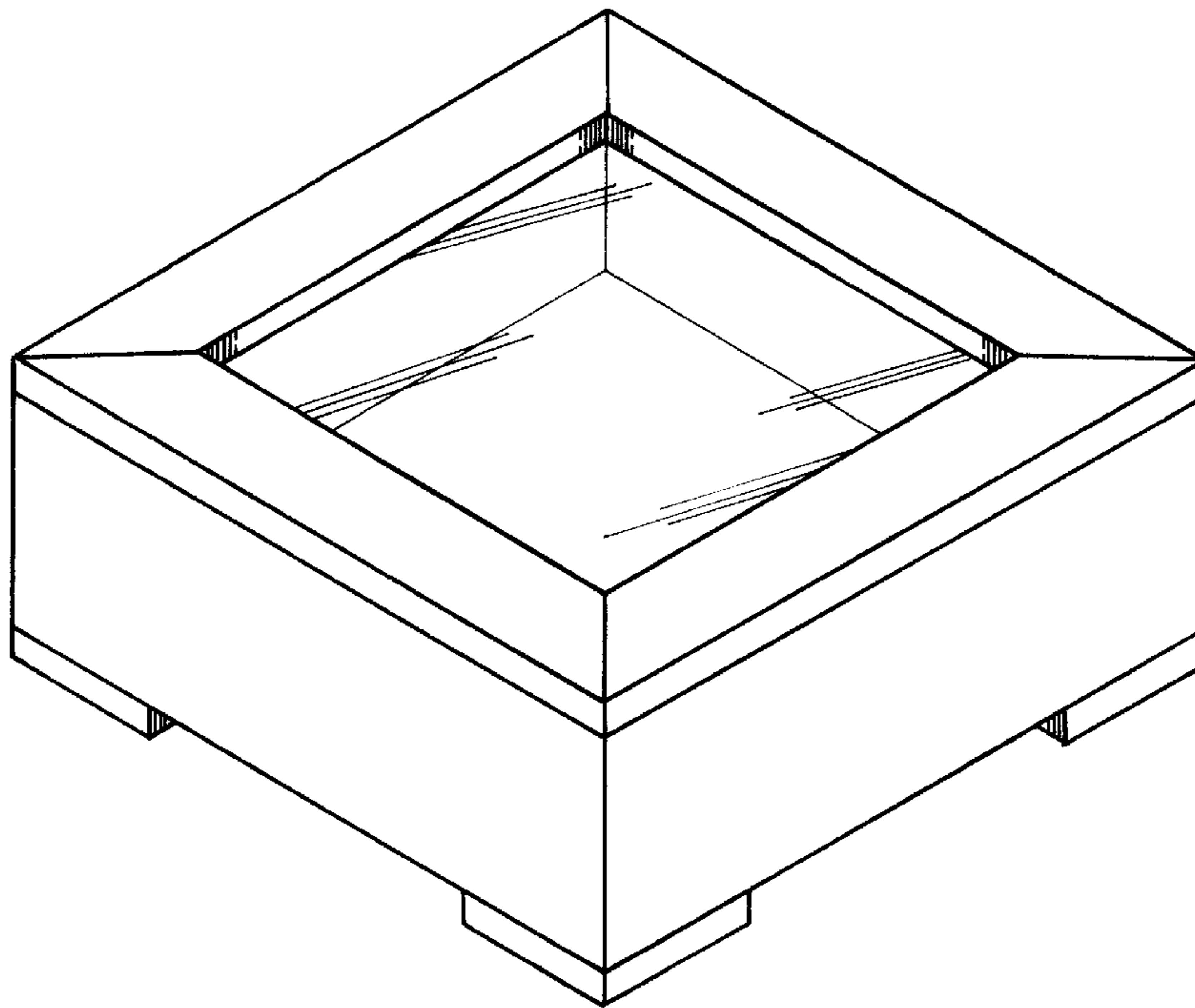
“The claimed table is used for putting things on (e.g. cups, magazines) and also to store things (e.g. magazines) inside its internal storage space which can be seen through the table’s glass top. The table can be grouped with arm-chairs(s), settee(s) or be positioned next to a bed.”

[56] References Cited

U.S. PATENT DOCUMENTS

D. 228,161 8/1973 Andrus D6/486

1 Claim, 2 Drawing Sheets



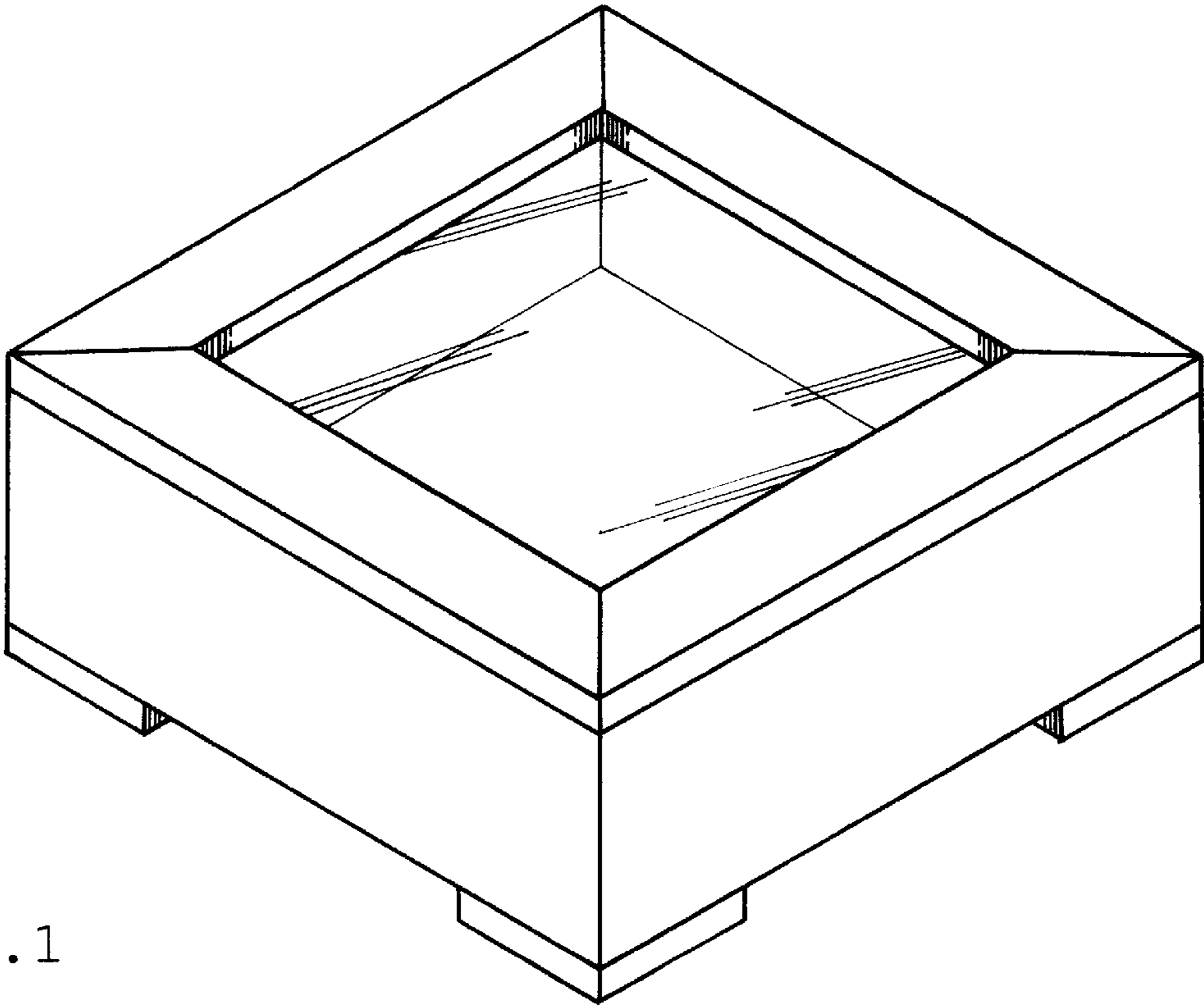


Fig.1

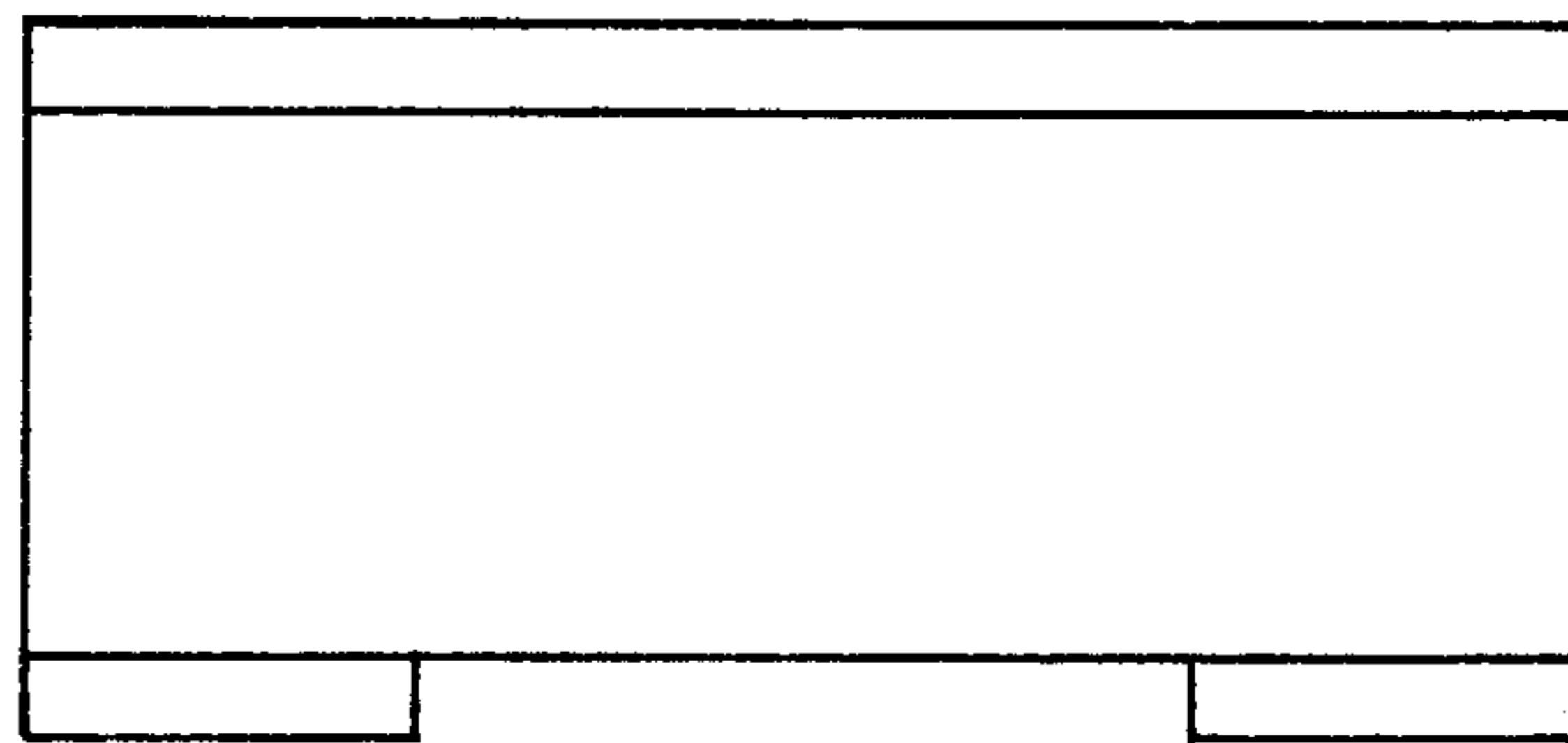


Fig.2

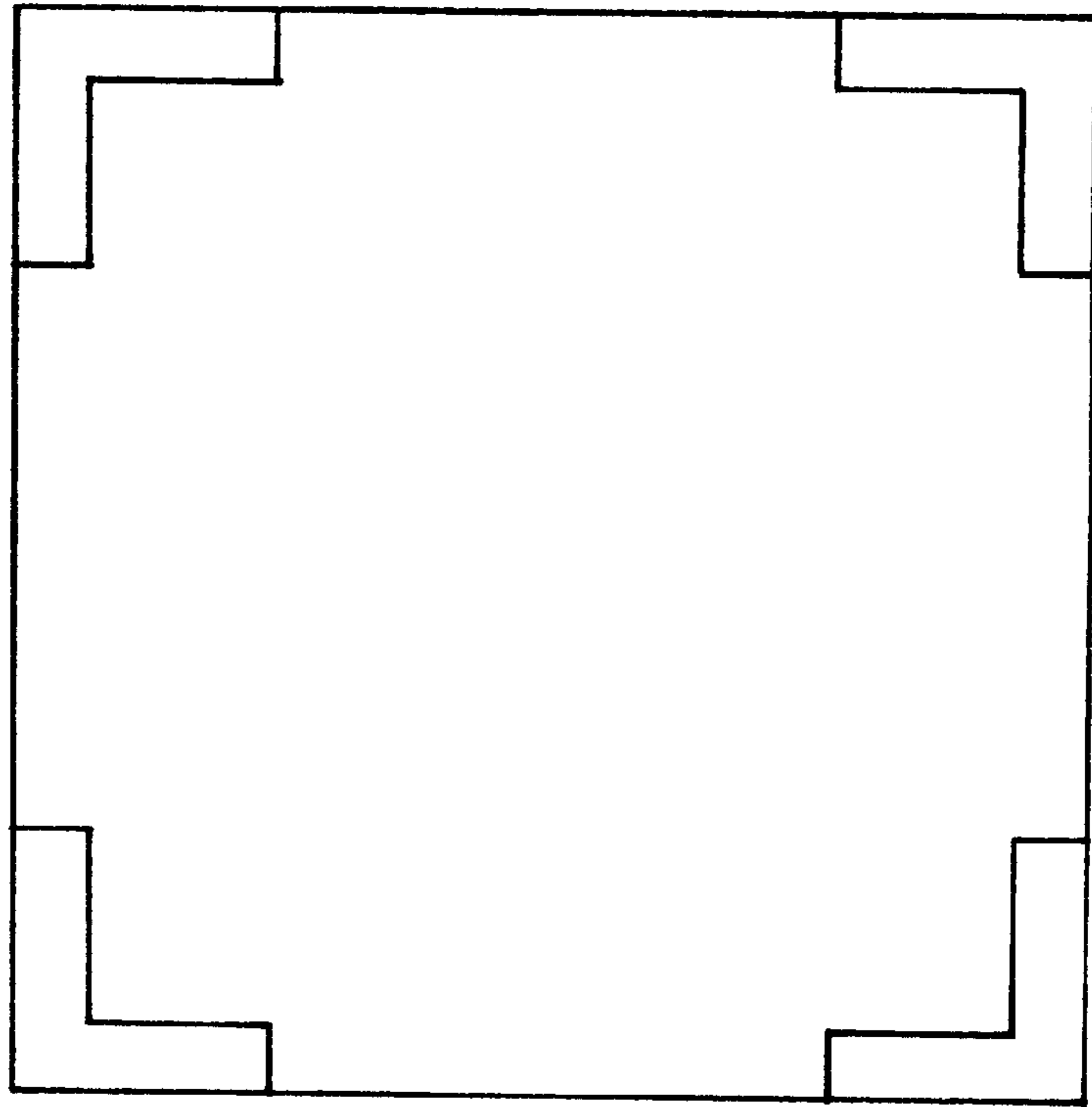


Fig. 3