



US00D422809S

**United States Patent** [19]  
**Maitland-Smith**

[11] **Patent Number: Des. 422,809**  
[45] **Date of Patent: \*\* Apr. 18, 2000**

[54] **TABLE**

[76] **Inventor: Paul Maitland-Smith**, PIPC Building,  
MEPZ, Cebu City, Philippines

[\*\*] **Term: 14 Years**

[21] **Appl. No.: 29/099,553**

[22] **Filed: Jan. 22, 1999**

[51] **LOC (6) Cl. .... 06-03**

[52] **U.S. Cl. .... D6/451; D6/480**

[58] **Field of Search** ..... D6/480-489, 495-499,  
D6/434, 450, 451; D19/26, 32; 108/153.1,  
156, 157.1, 161; 248/188, 188.1, 188.8

[56] **References Cited**

**U.S. PATENT DOCUMENTS**

D. 43,164	10/1912	Russell	.....	D6/434
D. 138,689	9/1944	De Vry	.....	D19/26
D. 238,856	2/1976	Koplan	.....	D10/6
D. 328,677	8/1992	White	.....	D6/484
D. 351,515	10/1994	Keller	.....	D6/451
D. 376,059	12/1996	Bergelin	.....	D6/480

**OTHER PUBLICATIONS**

Attached photograph, unknown source, unknown date,  
believed to be prior art.

Attached photograph, Homes and Gardens Calendar,  
unknown date, believed to be prior art.

*Primary Examiner*—Janice E. Seeger  
*Attorney, Agent, or Firm*—Rhodes & Mason, PLLC

[57] **CLAIM**

The ornamental design for a table, as shown and described.

**DESCRIPTION**

FIG. 1 is a perspective view of a table showing my new design;

FIG. 2 is a side elevation view, the opposite side being a mirror image thereof;

FIG. 3 is a front elevation thereof;

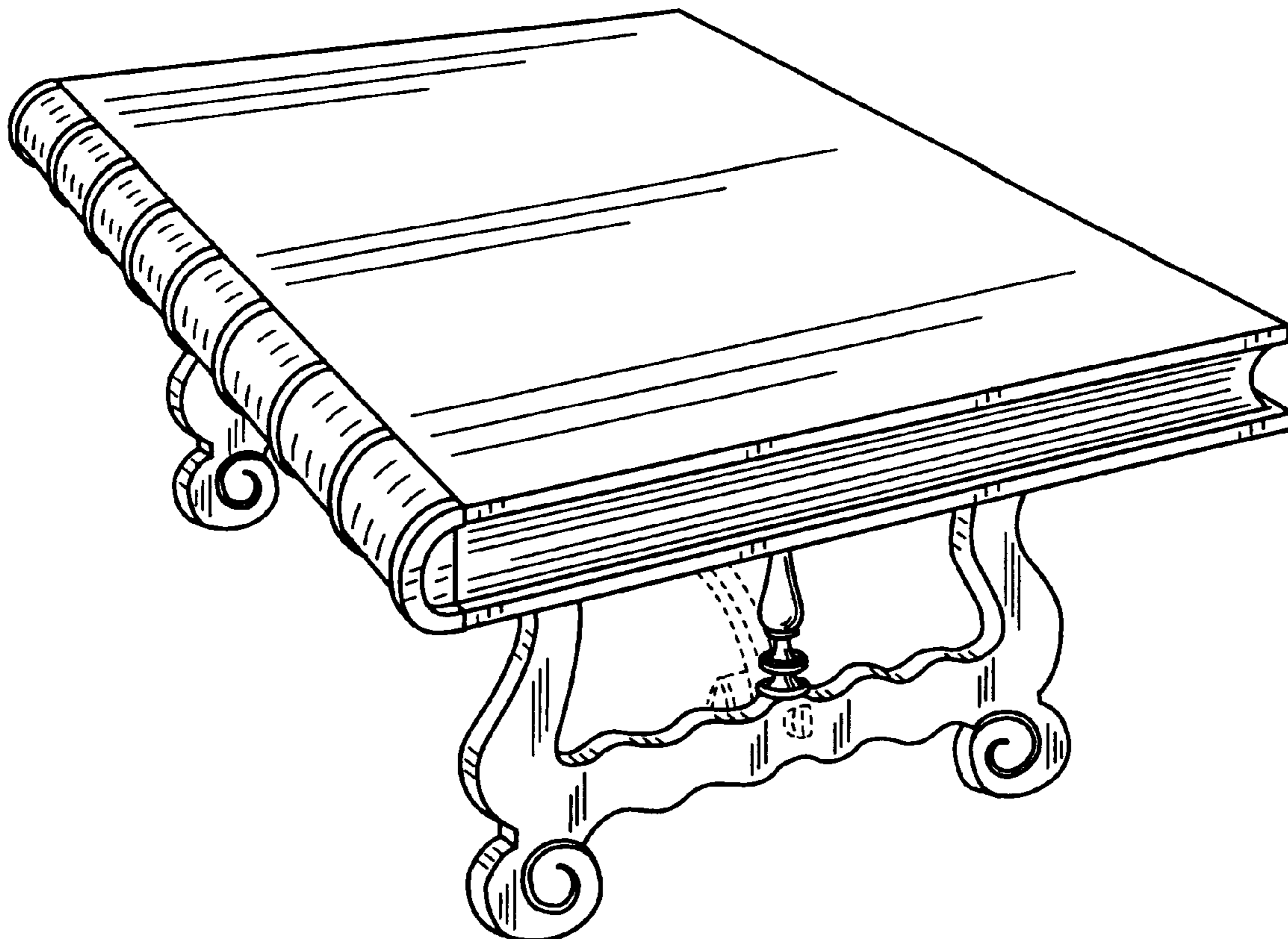
FIG. 4 is a rear elevation thereof; and,

FIG. 5 is a top view thereof.

The bottom view of the design is not shown and forms no part of the claimed design.

The dashed lines represent environmental elements only and form no part of the claimed design.

**1 Claim, 3 Drawing Sheets**



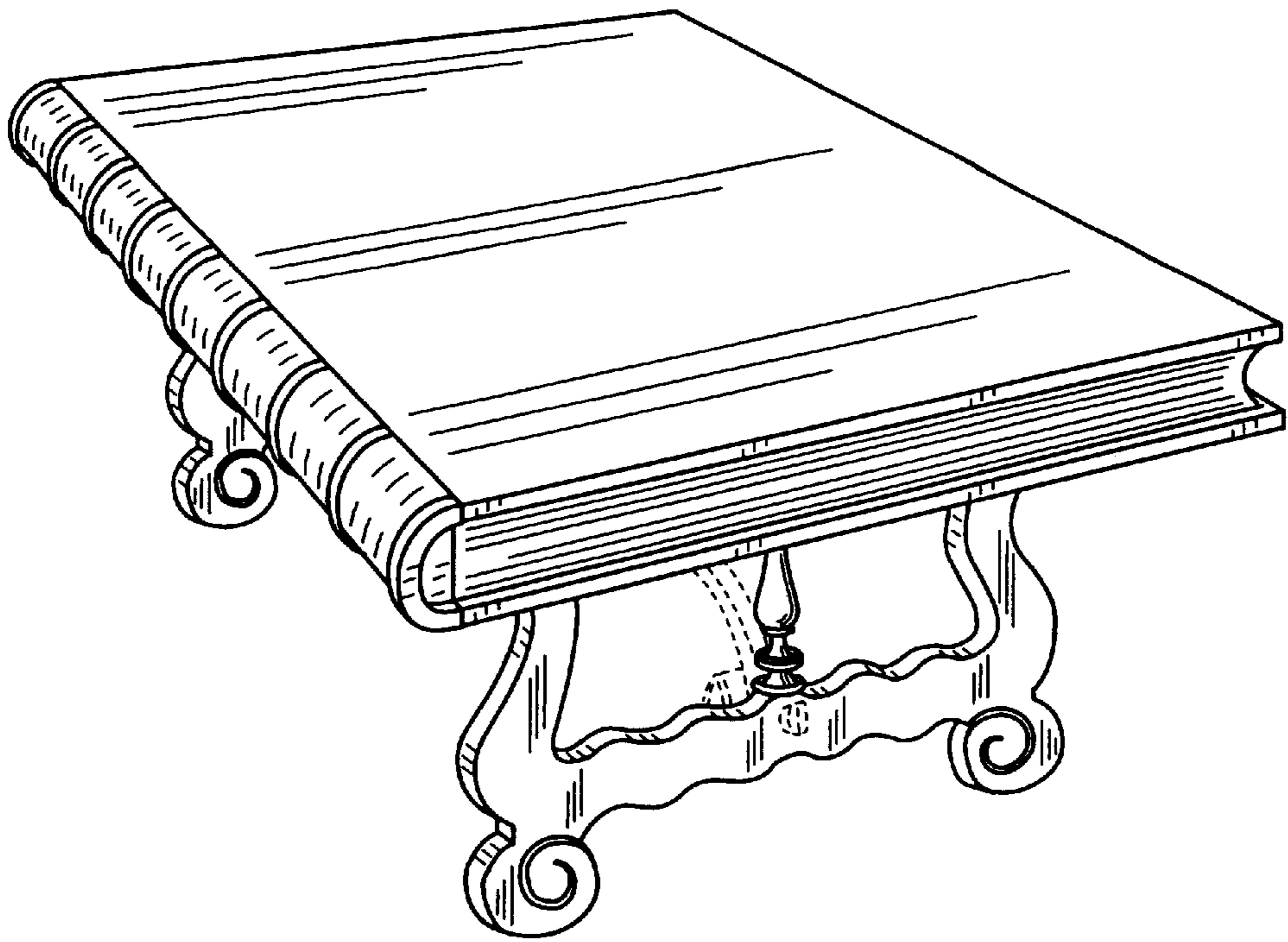


FIG. 1

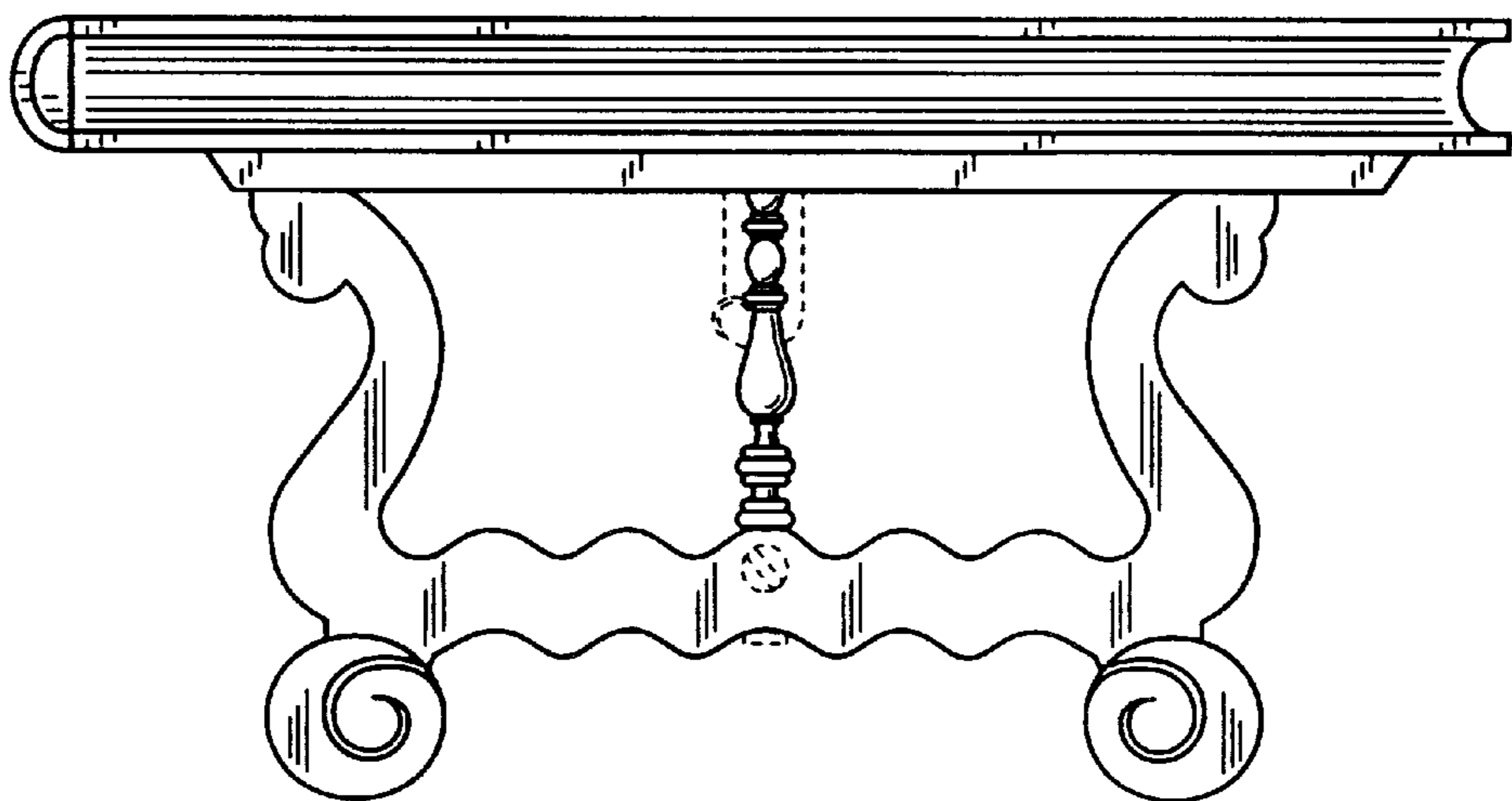


FIG. 2

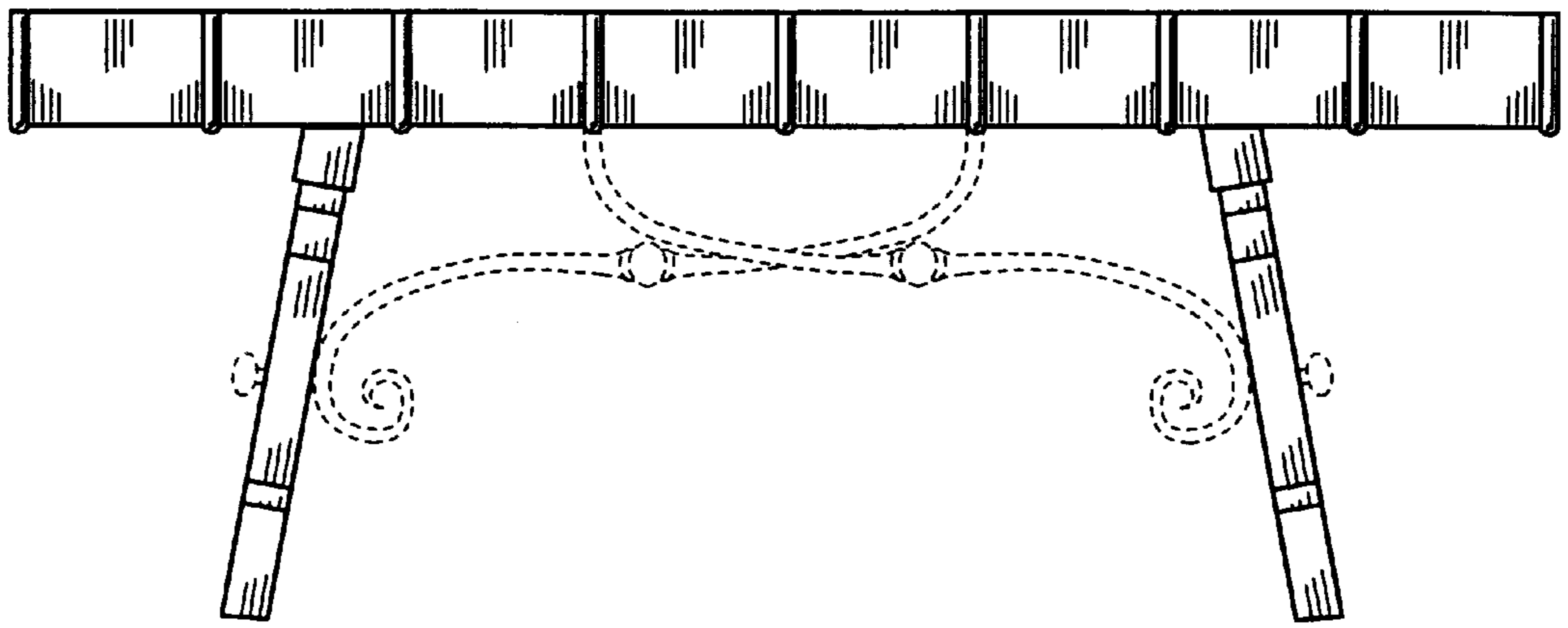


FIG. 3

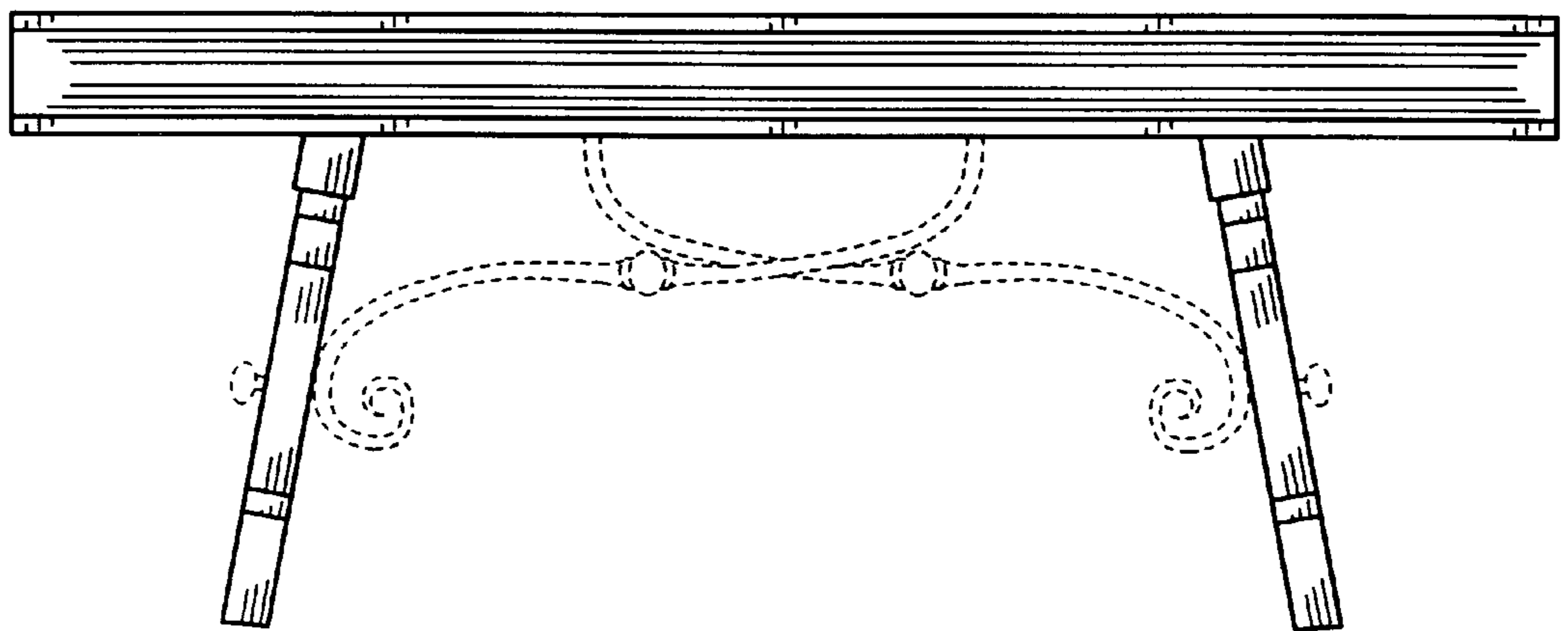


FIG. 4

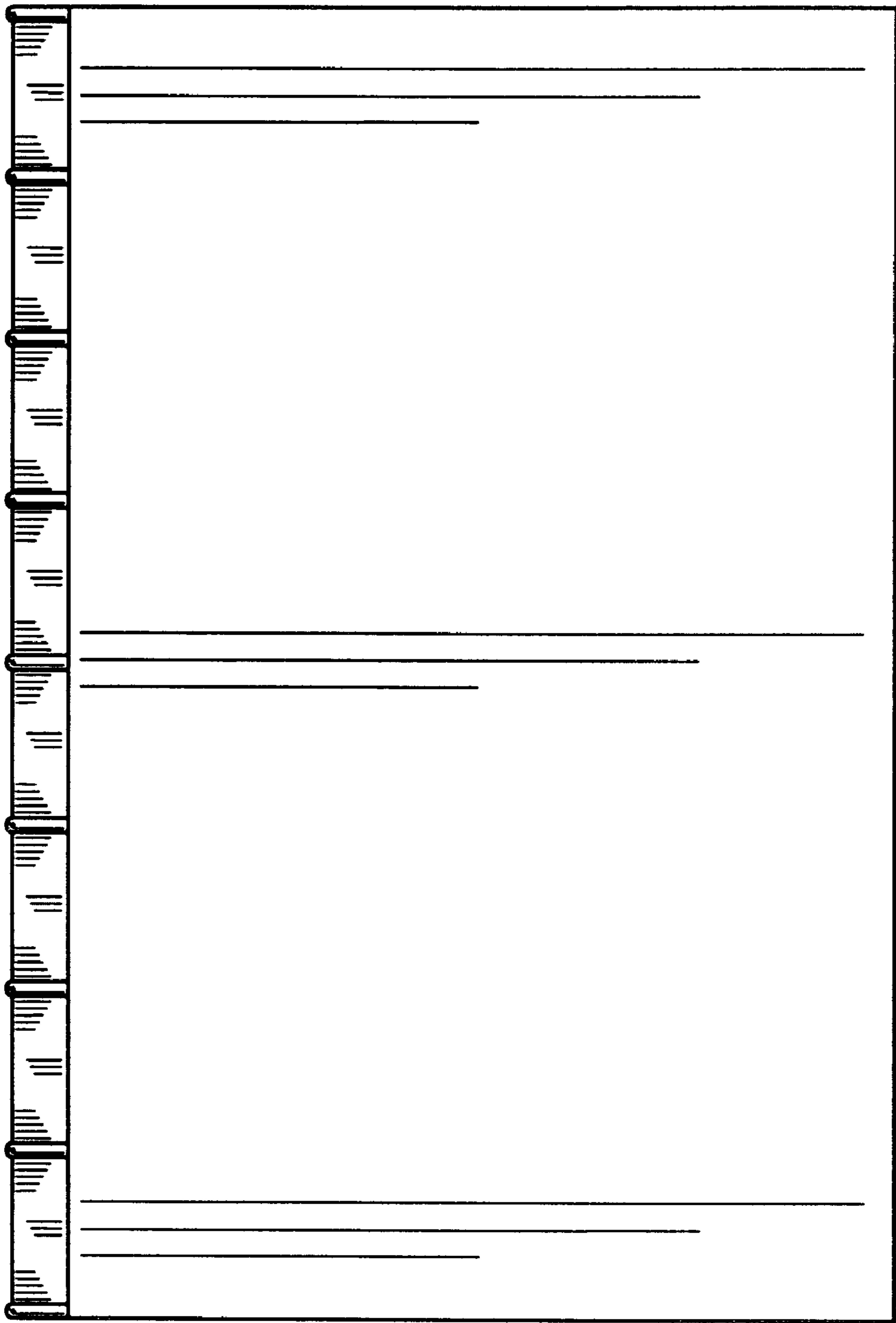


FIG. 5