



US00D422805S

United States Patent [19] Smith

[11] **Patent Number: Des. 422,805**

[45] **Date of Patent: ** Apr. 18, 2000**

[54] **STACKABLE CHAIR**

[76] Inventor: **Laura Lisa Smith**, 2 Fifth Ave., New York, N.Y. 10011

[**] Term: **14 Years**

[21] Appl. No.: **29/105,996**

[22] Filed: **Jun. 3, 1999**

[51] **LOC (6) Cl. 06-01**

[52] **U.S. Cl. D6/373; 375/379**

[58] **Field of Search D6/334, 371, 372, D6/373, 374, 375, 376, 379, 500, 501, 502; 297/239, 445.1, 448.1, 448.2**

[56] **References Cited**

U.S. PATENT DOCUMENTS

D. 166,058	2/1952	Williams	D6/373
D. 222,452	10/1971	Bertran	D6/375
D. 225,195	11/1972	Lange	D6/373
D. 255,185	6/1980	Locher	.	
D. 269,831	7/1983	Crone	D6/373
D. 300,484	4/1989	Vignelli et al.	D6/373
D. 346,283	4/1994	Kolberg	.	
D. 349,826	8/1994	Homann	D6/500
D. 360,083	7/1995	Lohmeyer	.	
D. 393,158	4/1998	Smith	.	
4,522,444	6/1985	Pollock	.	
4,648,653	3/1987	Rowland	.	

Attorney, Agent, or Firm—Collard & Roe, PC

[57] **CLAIM**

The ornamental design for a stackable chair, as shown and described.

DESCRIPTION

FIG. 1 is a perspective view of a stackable chair, showing my new design;

FIG. 2 is a front view thereof;

FIG. 3 is a back view thereof;

FIG. 4 is a left-side view thereof, which is a mirror image to the right-side view;

FIG. 5 is a bottom view thereof;

FIG. 6 is a top view thereof;

FIG. 7 is a perspective view of another embodiment of my new design without arm rests;

FIG. 8 is a front view of the design of FIG. 7;

FIG. 9 is a rear view of the design of FIG. 7;

FIG. 10 is a left-side view of the design of FIG. 7, the right-side view being a mirror image thereof;

FIG. 11 is a bottom view of the design of FIG. 7; and,

FIG. 12 is a top view of the design of FIG. 7.

FIGS. 2 through 6 and 8 through 12 have been shown on a larger scale with respect to FIGS. 1 and 7.

The broken lines shown in FIGS. 4, 5, 10 and 11 are for illustrative purposes only and form no part of the claimed design.

Primary Examiner—Gary D. Watson

1 Claim, 12 Drawing Sheets

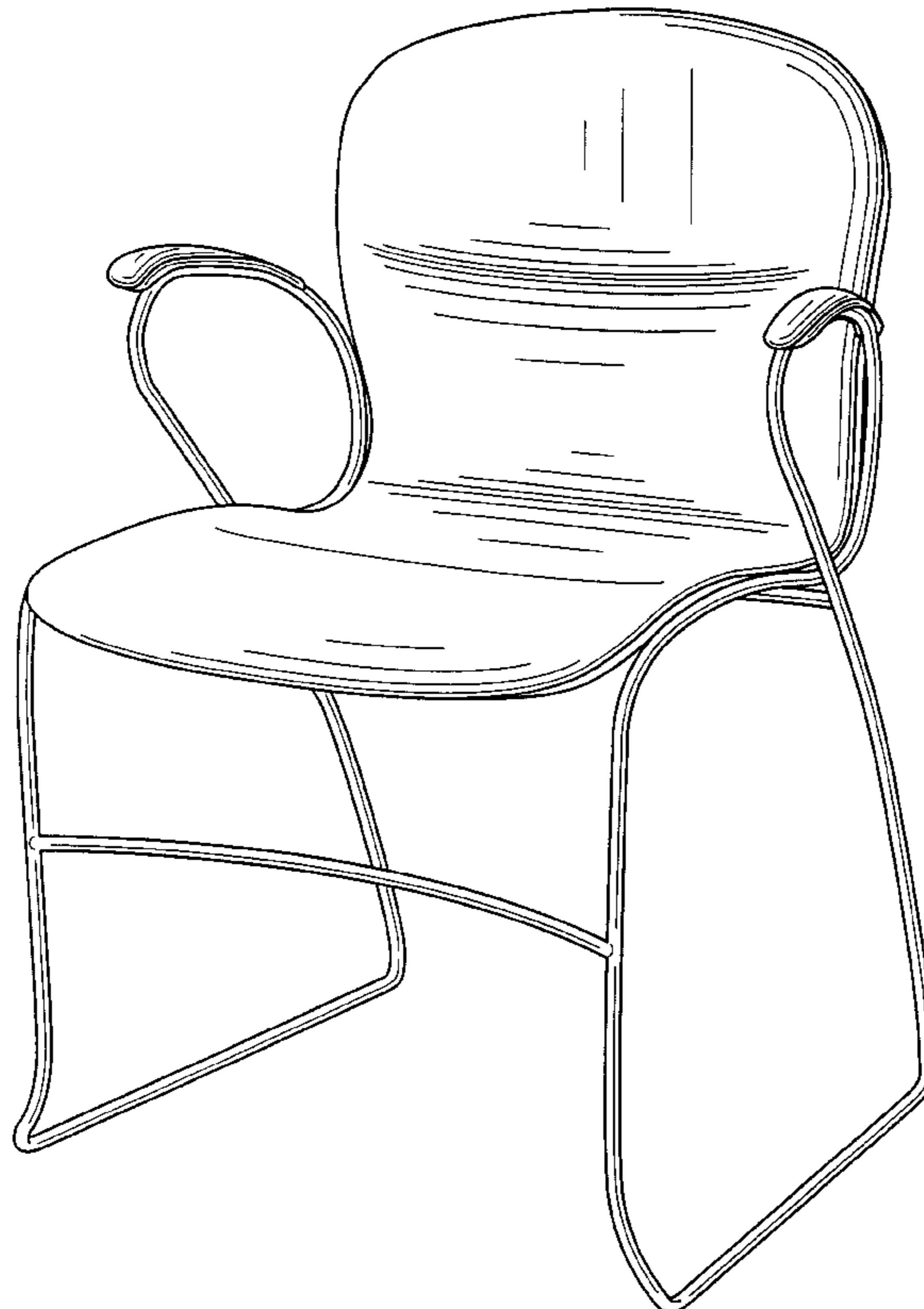


FIG. 1

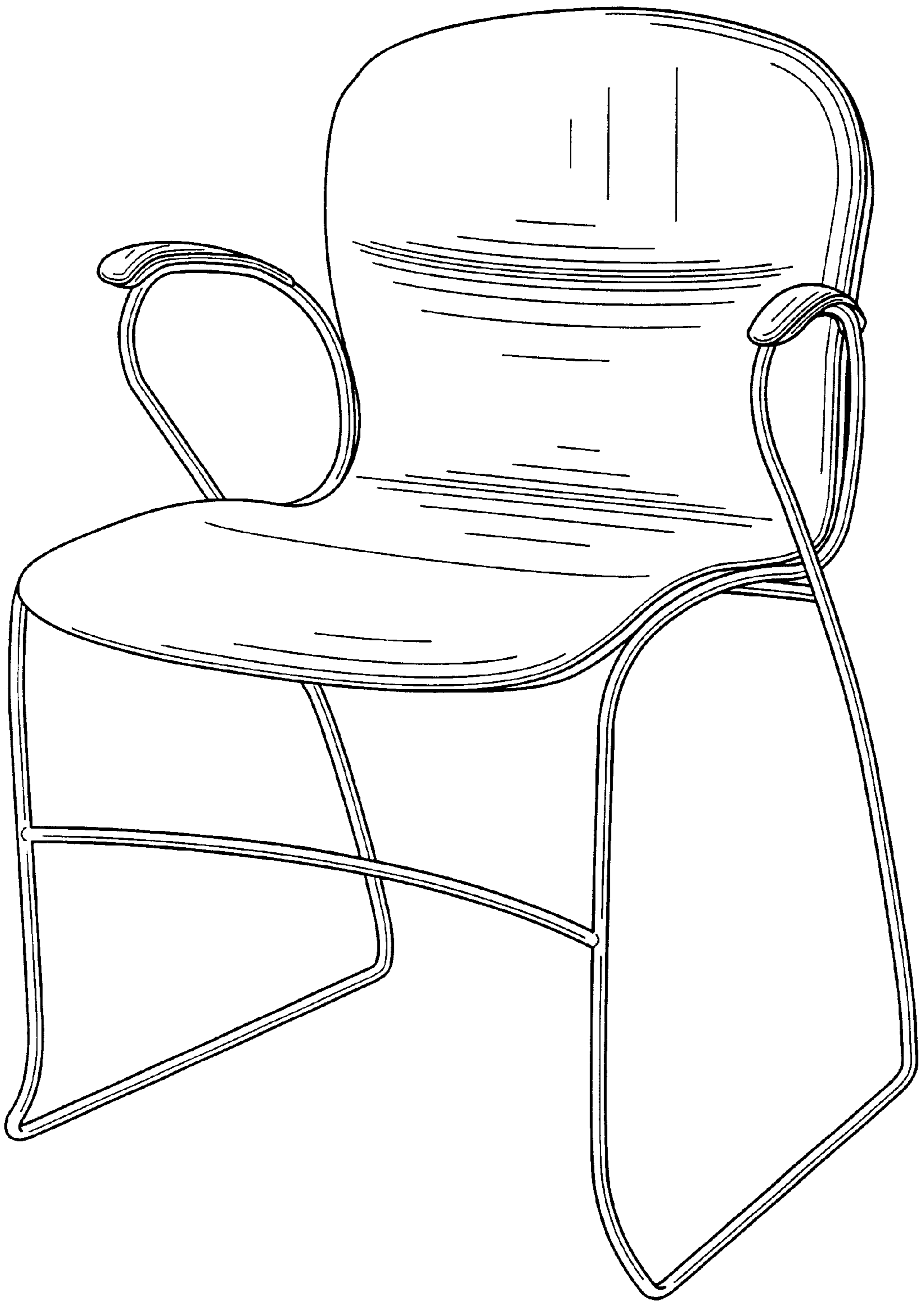


FIG. 2

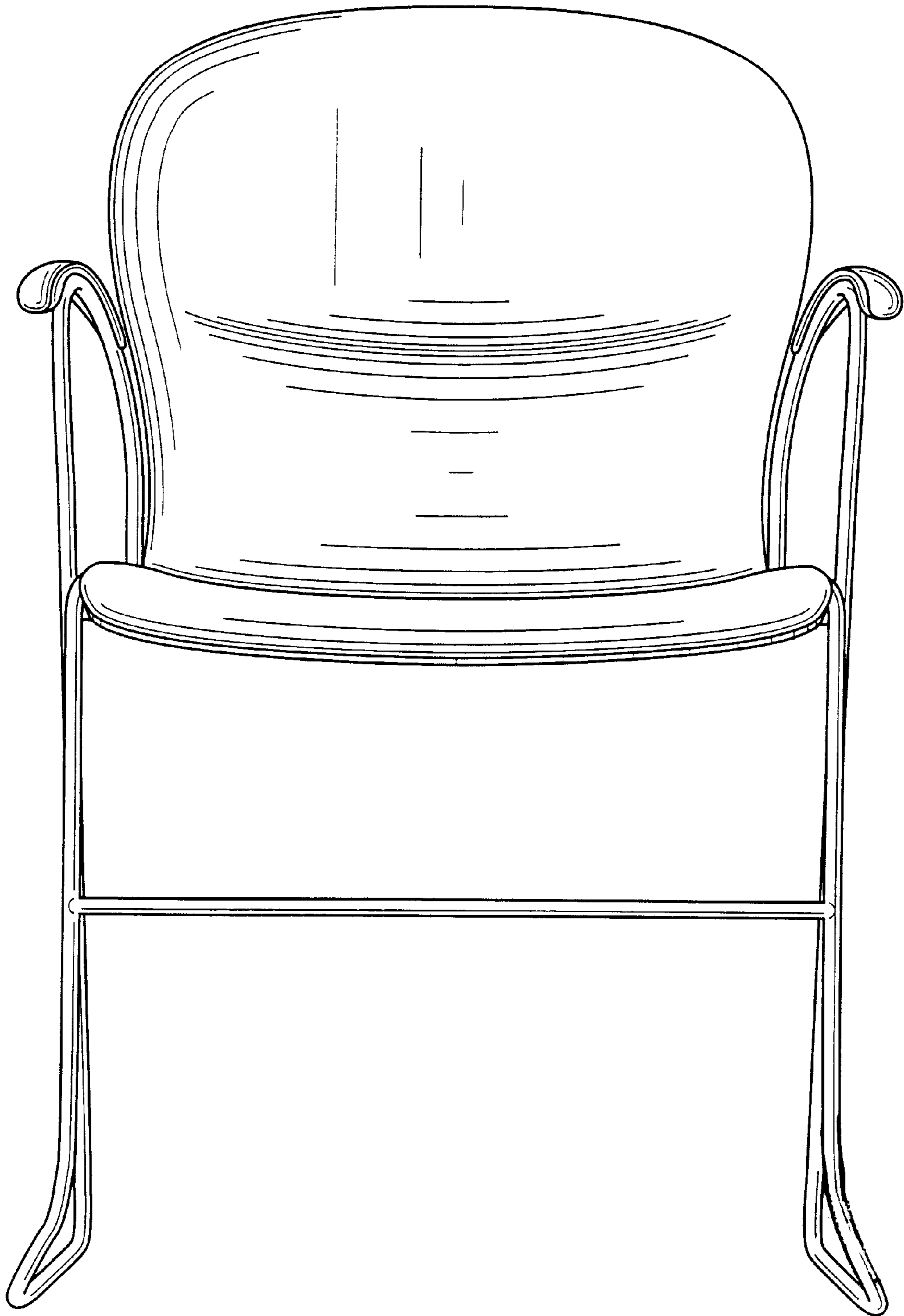


FIG. 3

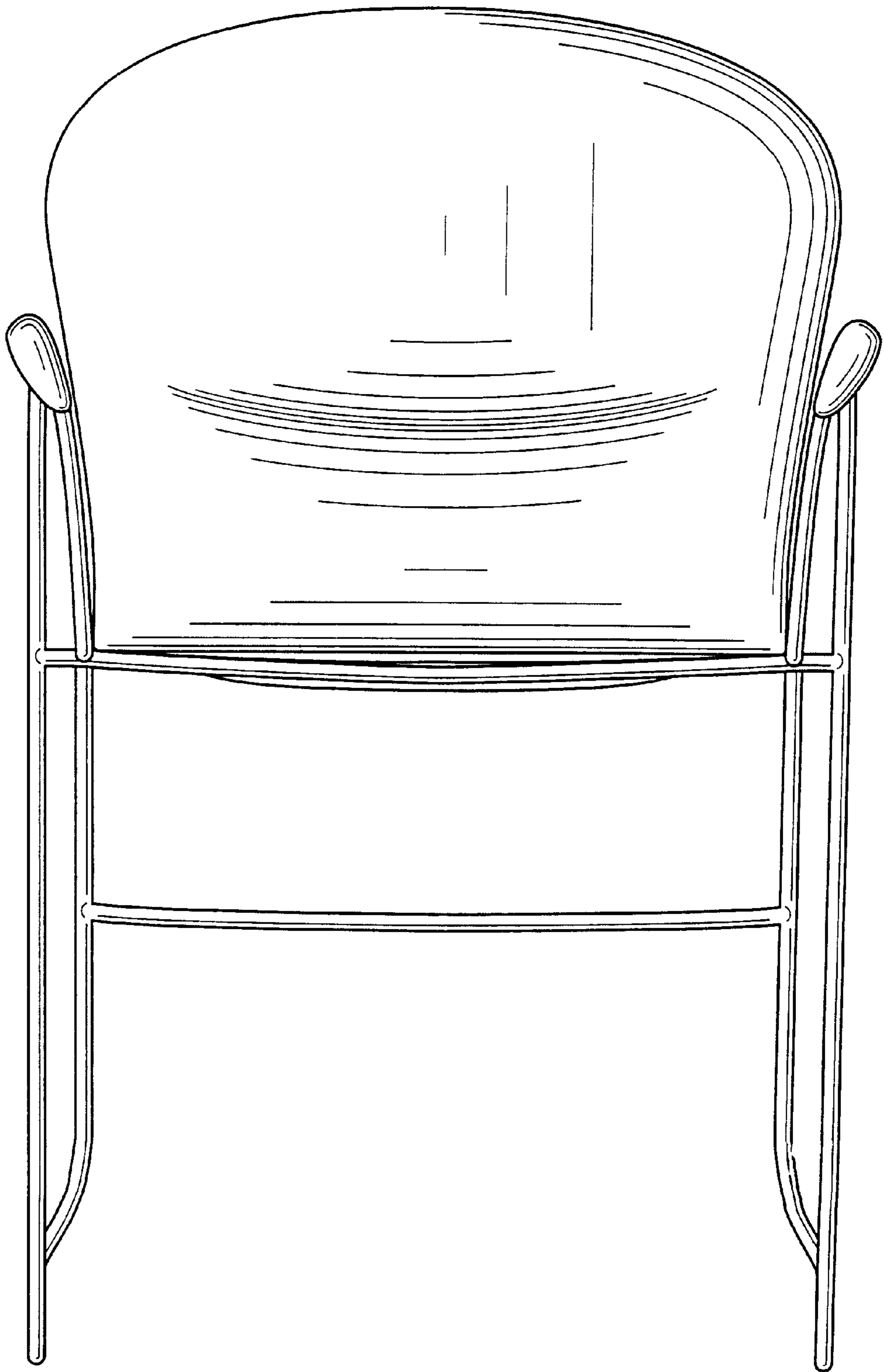


FIG. 4

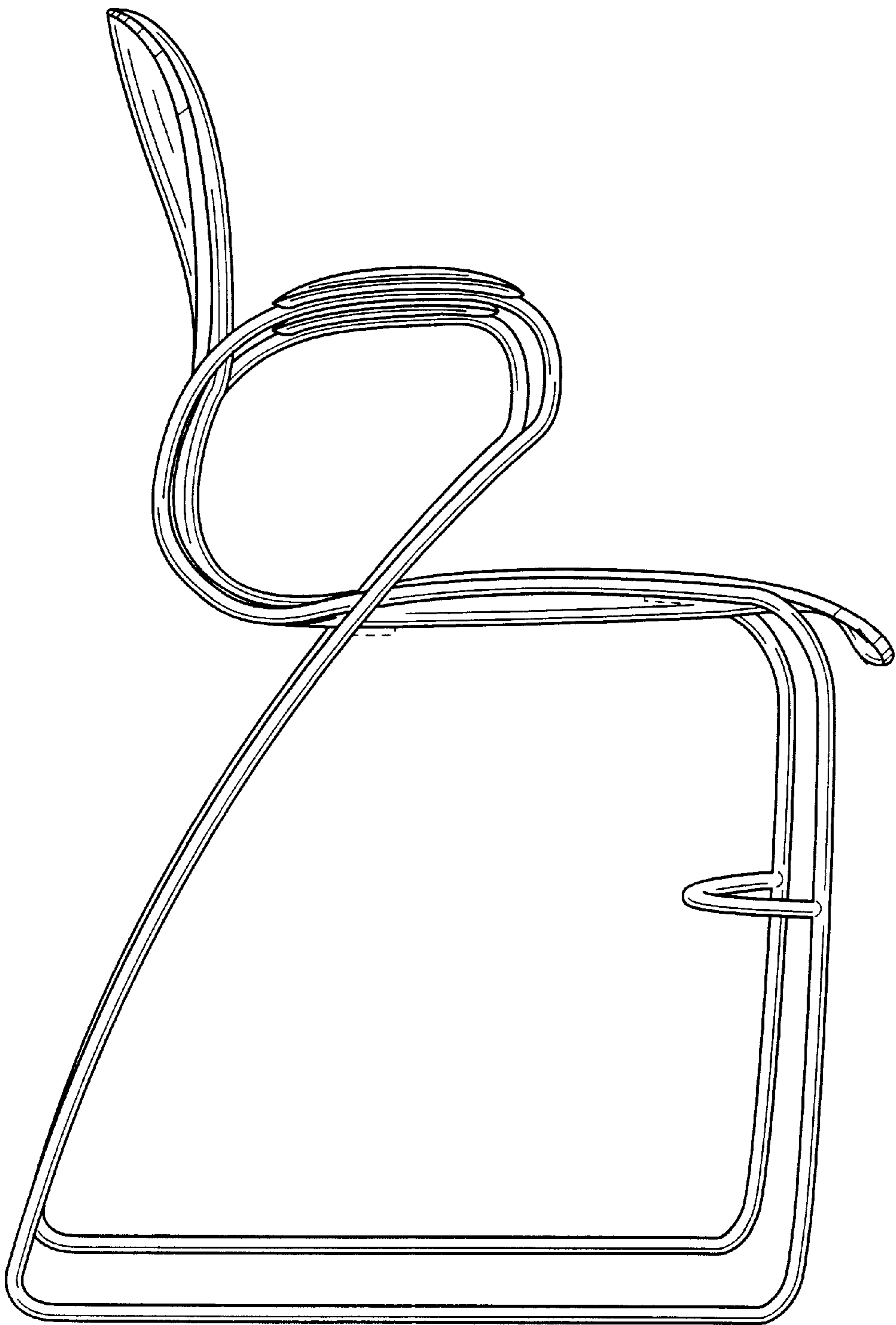


FIG. 5

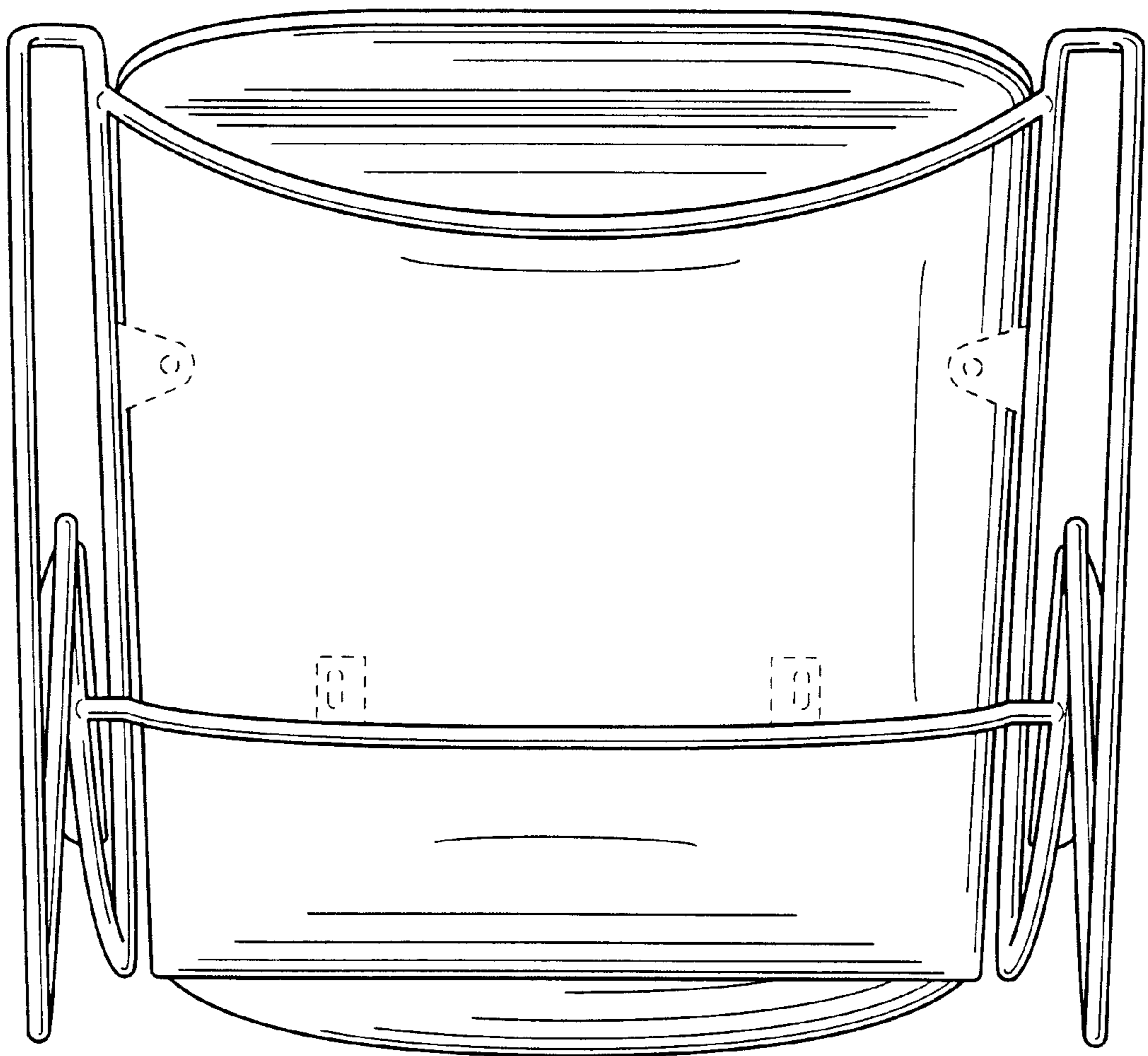


FIG. 6

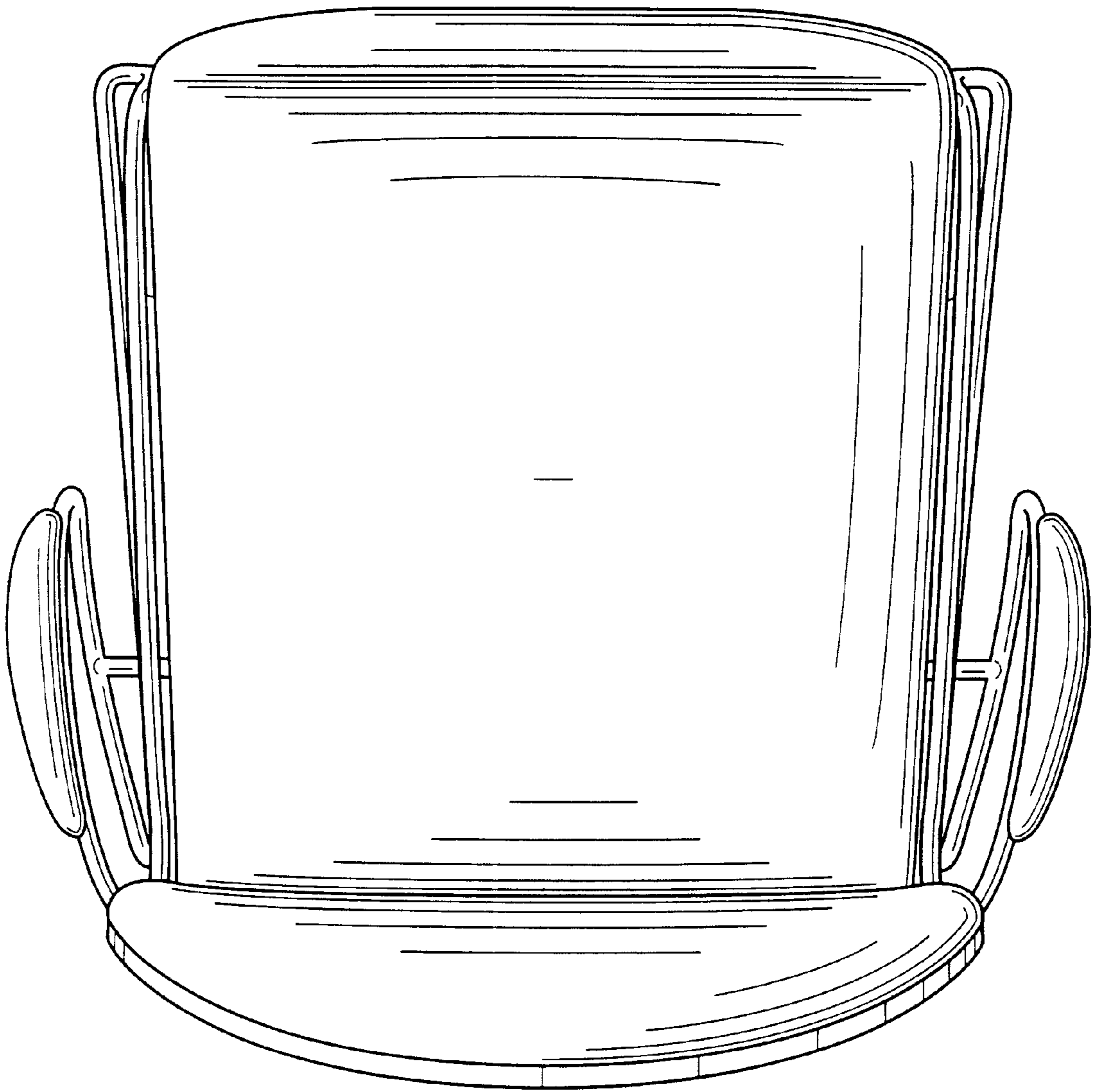


FIG. 7

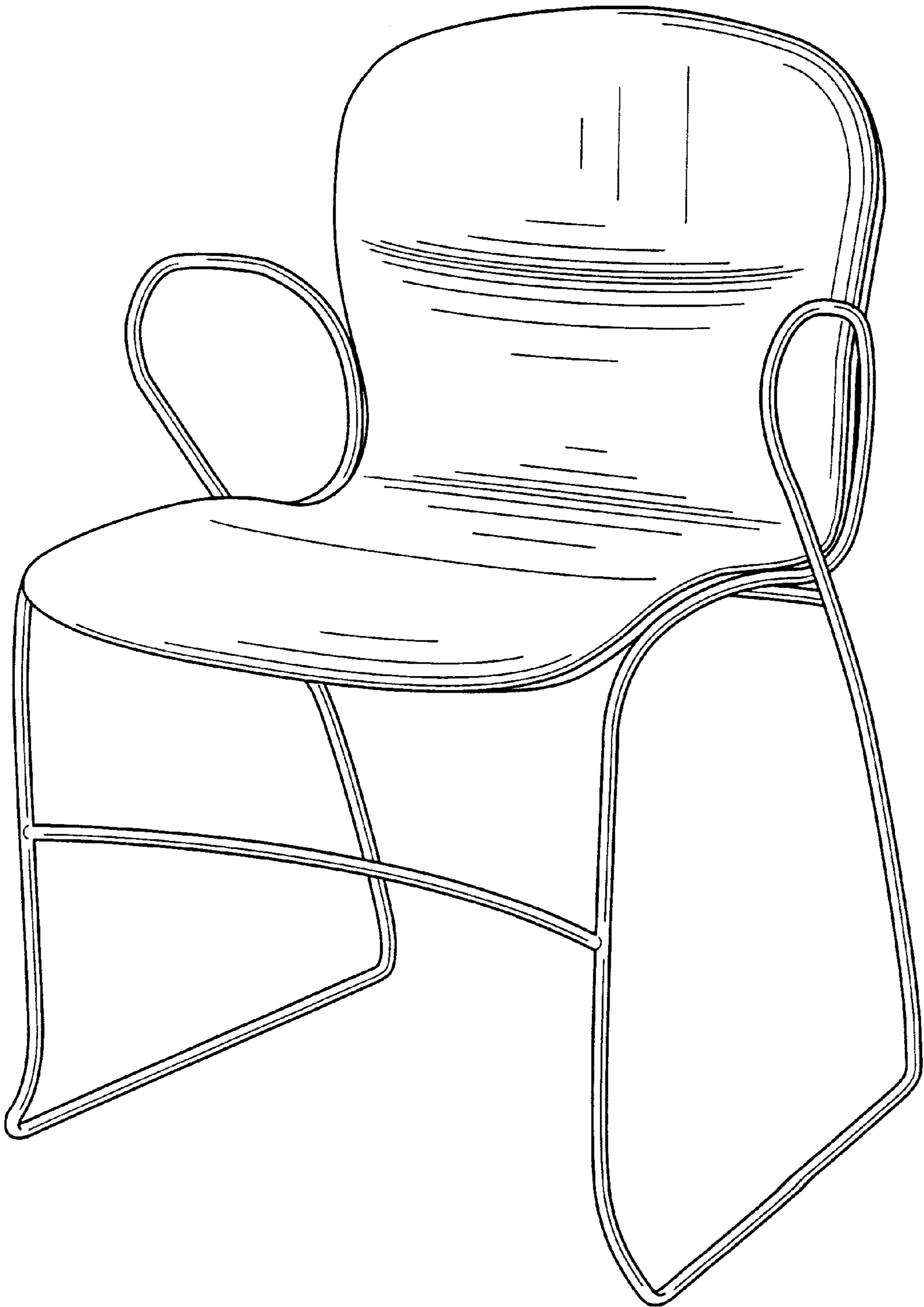


FIG. 8

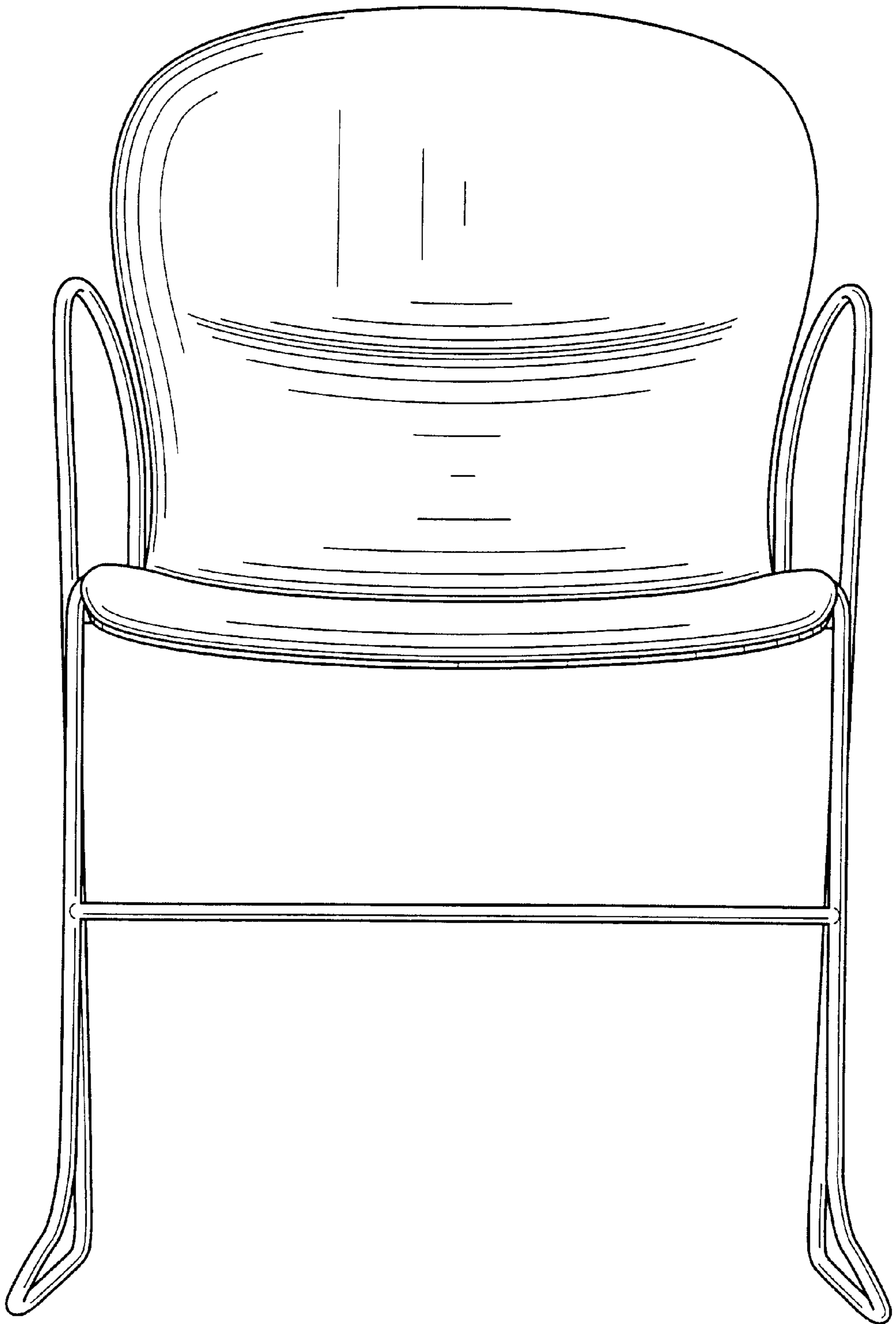


FIG. 9

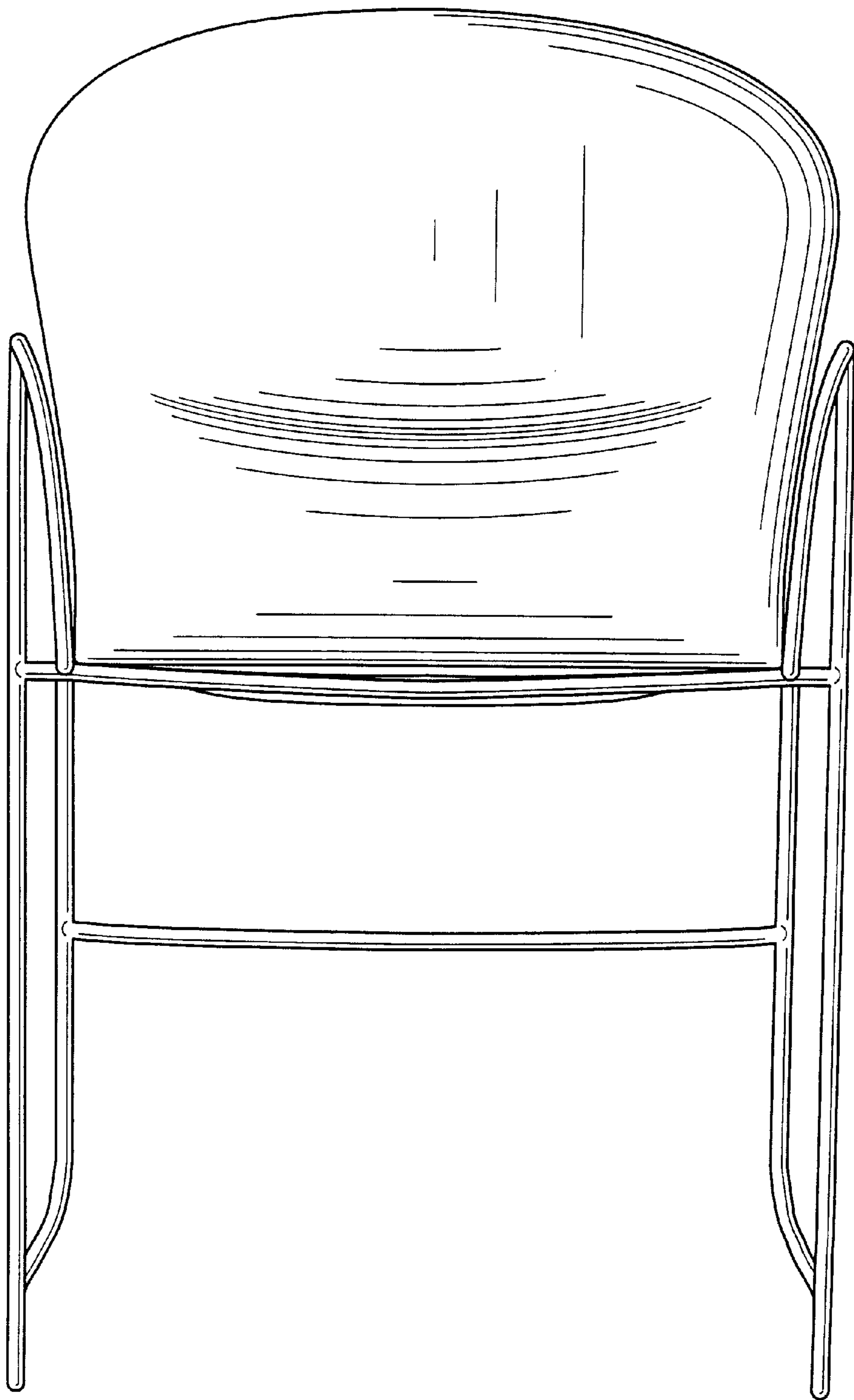


FIG. 10

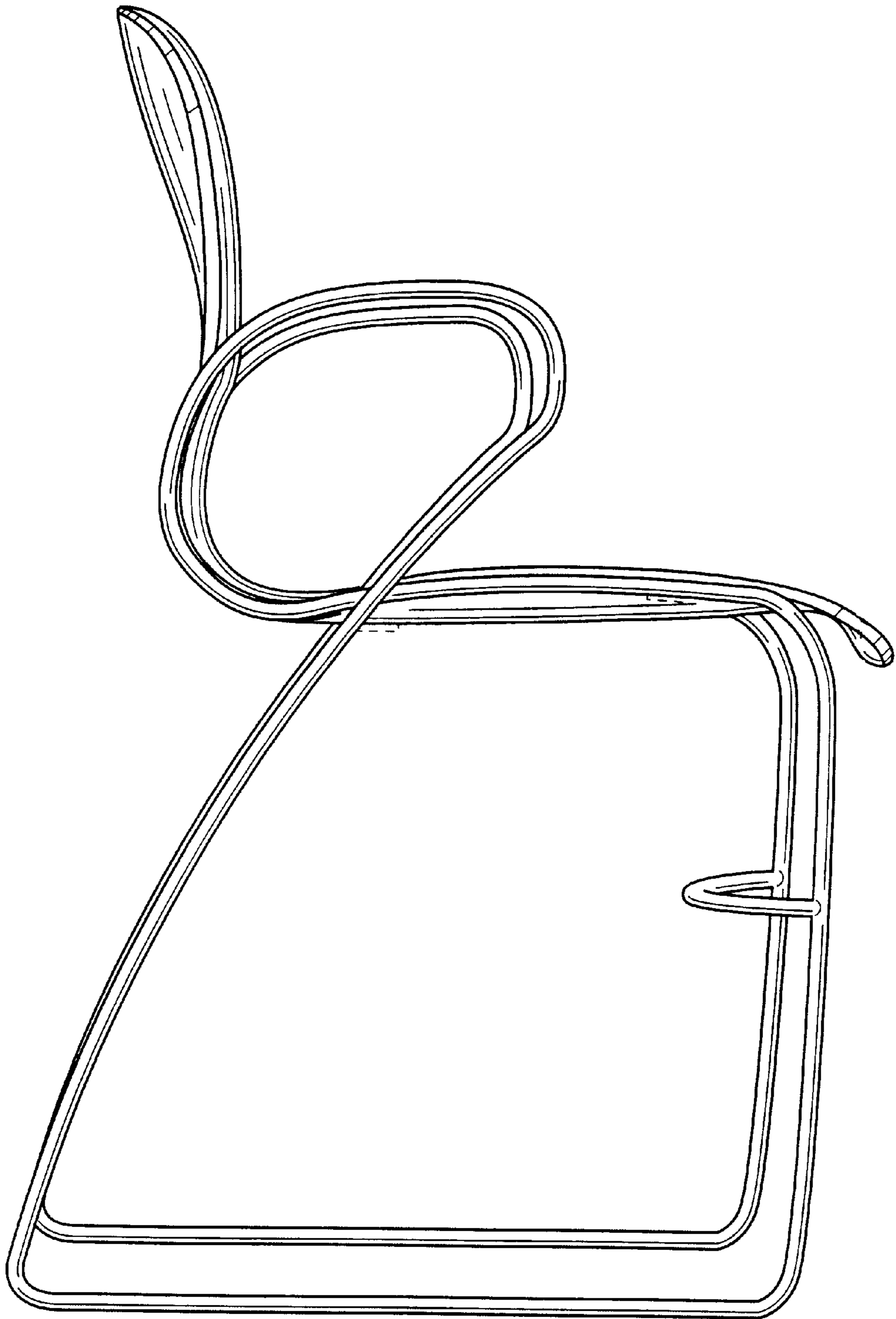


FIG. 11

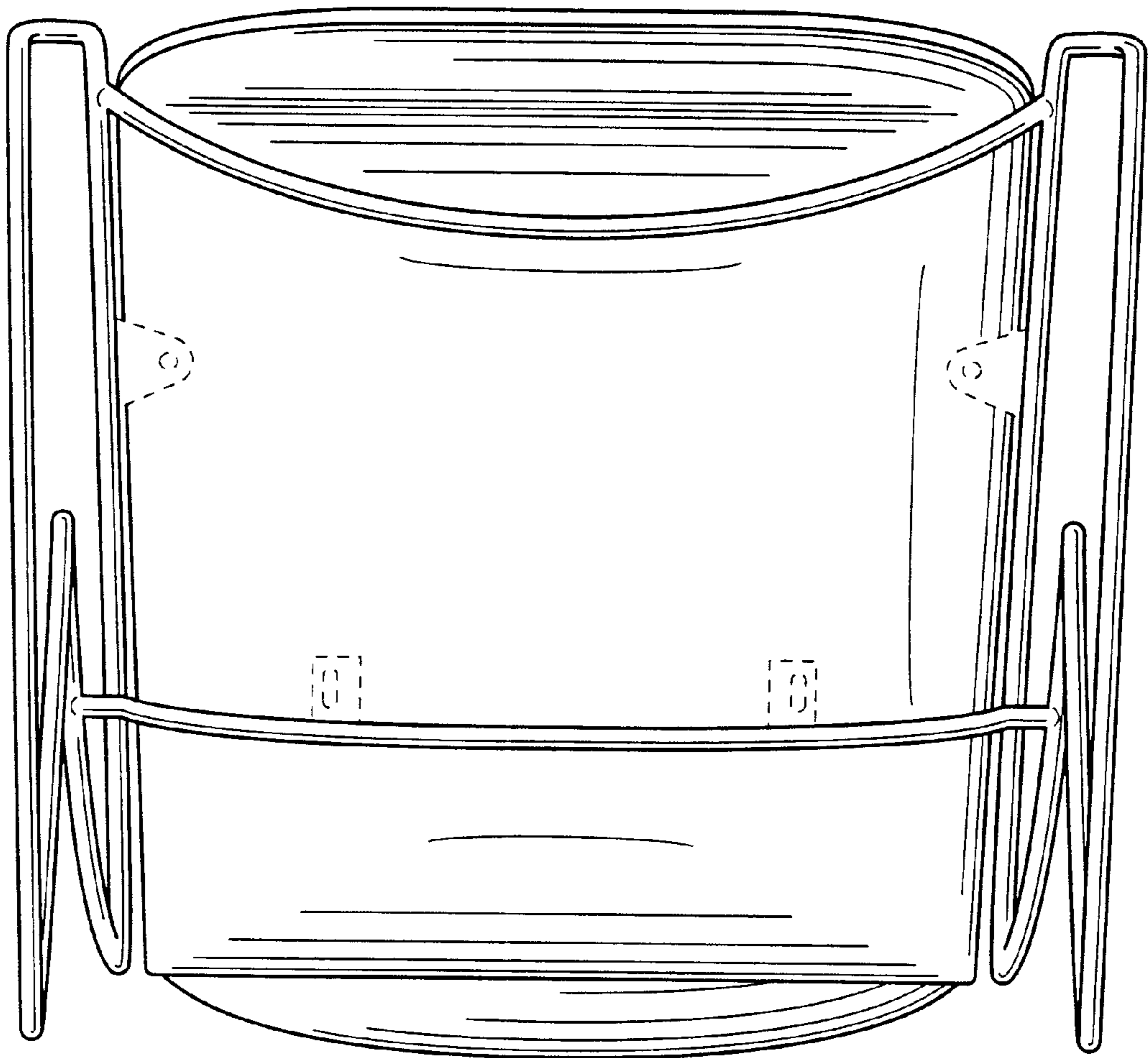


FIG. 12

