



US00D422801S

United States Patent [19]

Tremont et al.

[11] Patent Number: **Des. 422,801**

[45] Date of Patent: **** Apr. 18, 2000**

[54] **JUMP SEAT FOR A MOTOR VEHICLE**

[75] Inventors: **Thomas G. Tremont**, San Diego;
Kevin R. Verduyn, Carlsbad, both of Calif.

[73] Assignee: **Chrysler Corporation**, Auburn Hills, Mich.

[**] Term: **14 Years**

[21] Appl. No.: **29/095,704**

[22] Filed: **Oct. 28, 1998**

[51] **LOC (6) Cl.** **06-01**

[52] **U.S. Cl.** **D6/356; D6/362**

[58] **Field of Search** D6/333, 334, 335,
D6/336, 356, 362, 368, 374, 375, 379,
500, 501, 502; 297/14, 451.3

[56] **References Cited**

U.S. PATENT DOCUMENTS

D. 190,230	5/1961	Eppink	D6/362
D. 216,305	12/1969	Gazit	D6/368
D. 223,025	2/1972	Barecki	D6/362

D. 225,494	12/1972	Ahrens	D6/362
D. 239,150	3/1976	Meade	D6/335
D. 297,287	8/1988	Lopez	D6/356
D. 321,600	11/1991	Brenman	D6/362
D. 347,332	5/1994	Donnelly	D6/362
D. 368,595	4/1996	Dallaire	D6/362

Primary Examiner—Doris V. Coles
Assistant Examiner—Mimosa De
Attorney, Agent, or Firm—Mark P. Calcaterra

[57] **CLAIM**

The ornamental design for a jump seat for a motor vehicle, as shown and described.

DESCRIPTION

FIG. 1 is a front perspective view of a jump seat for a motor vehicle showing our new design.

FIG. 2 is a left view thereof, the opposite side being a mirror image.

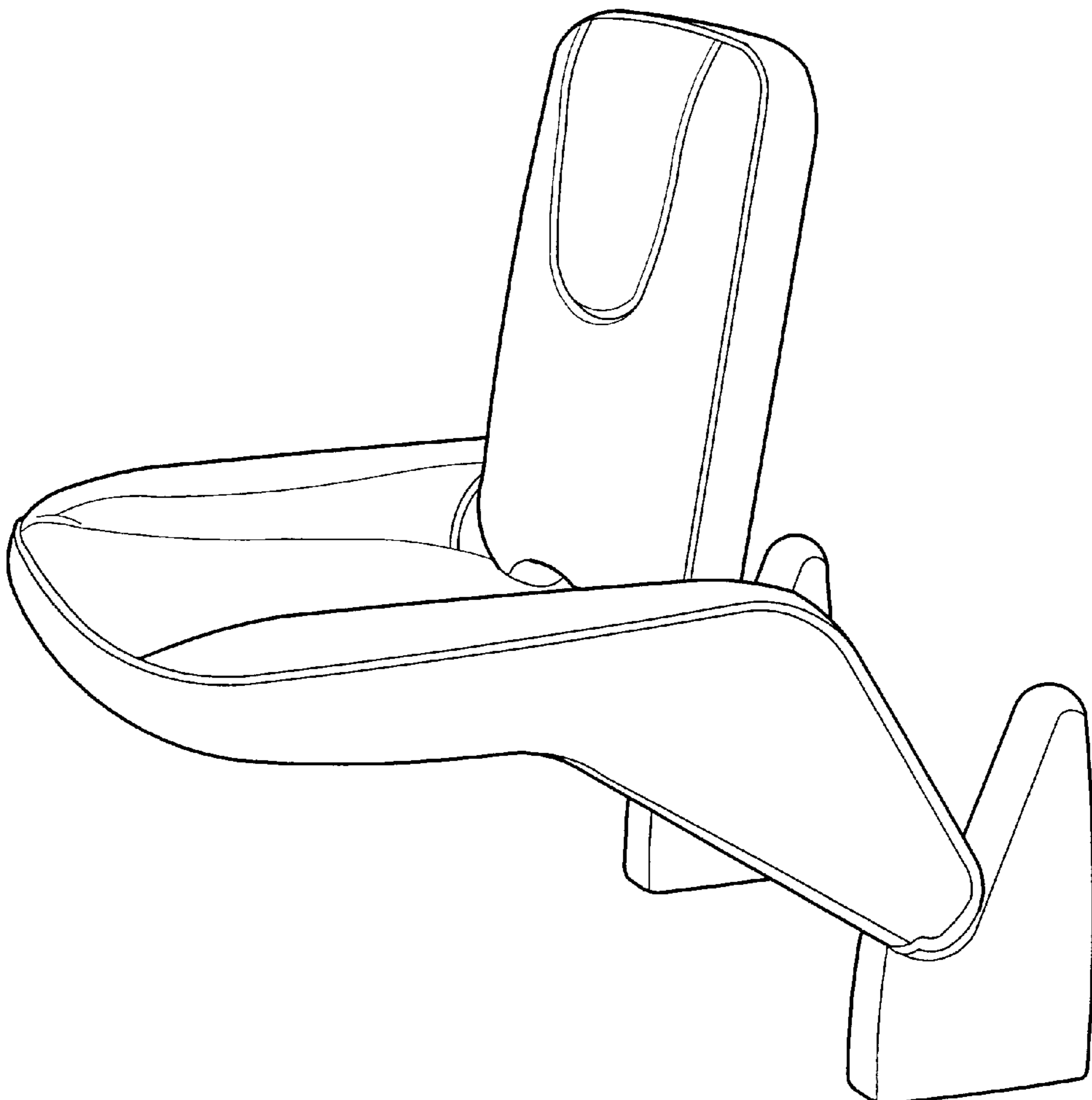
FIG. 3 is a front view thereof.

FIG. 4 is a rear view thereof.

FIG. 5 is a top view thereof; and,

FIG. 6 is a bottom view thereof.

1 Claim, 3 Drawing Sheets



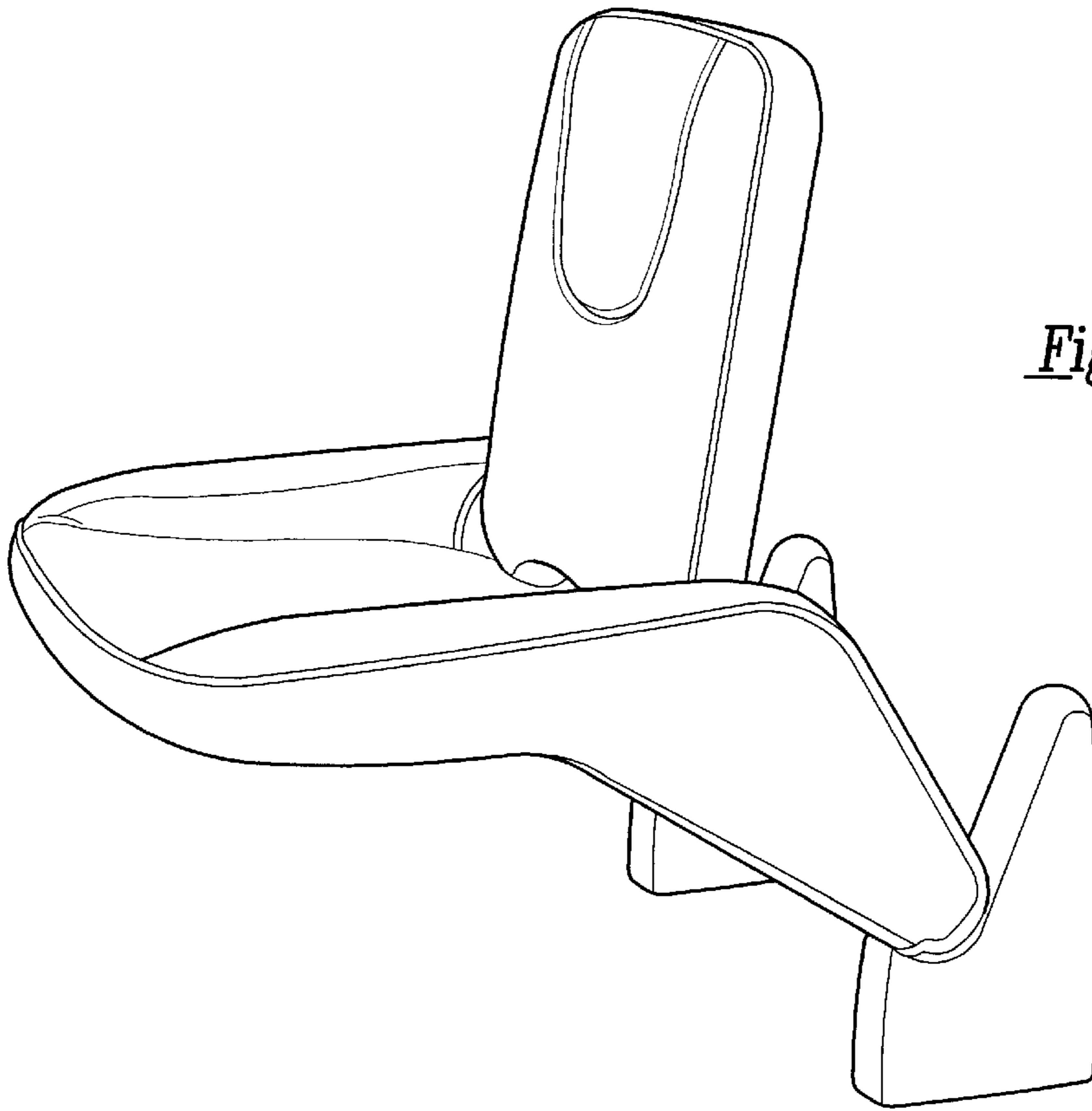


Fig-1

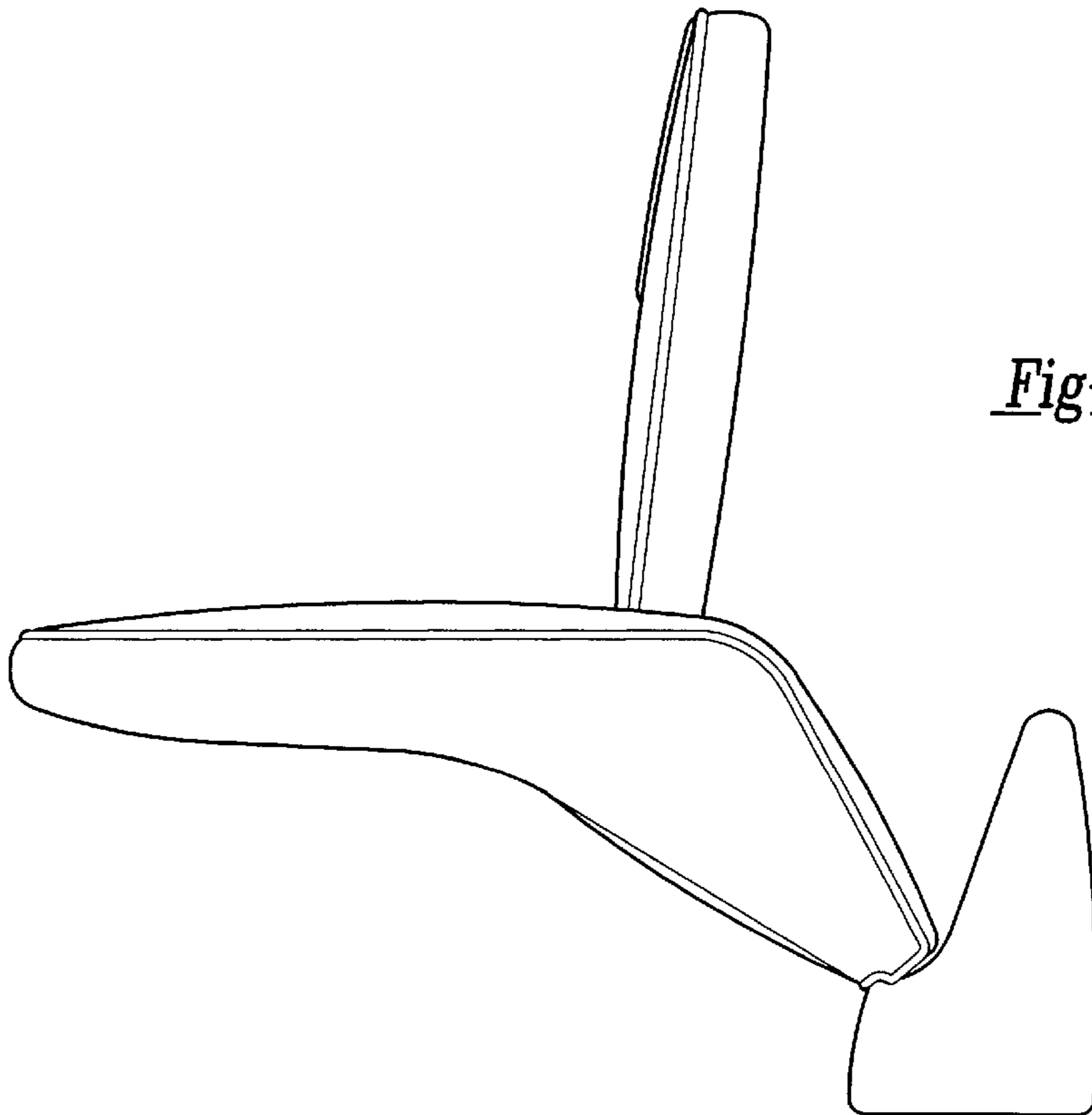


Fig-2

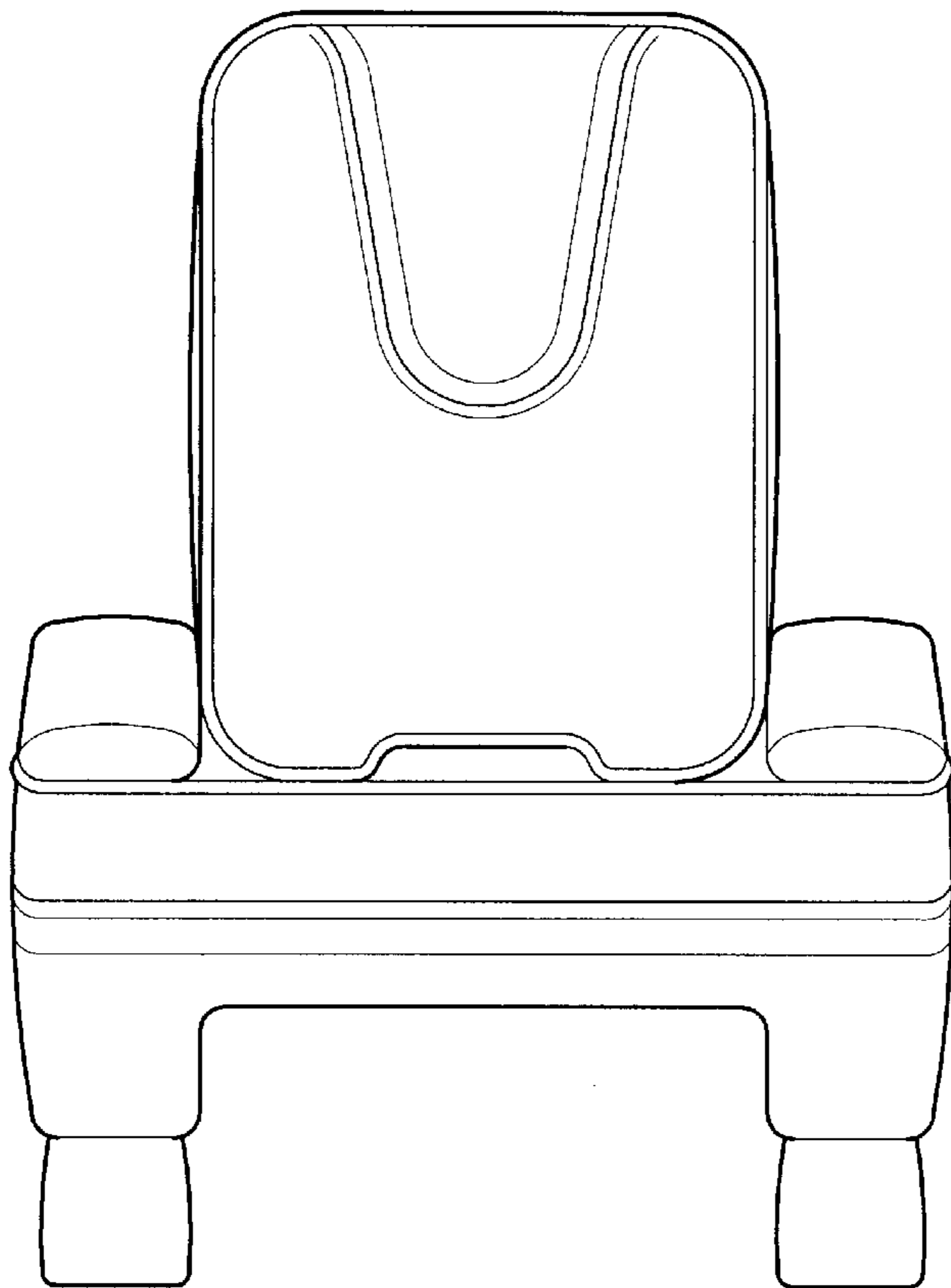
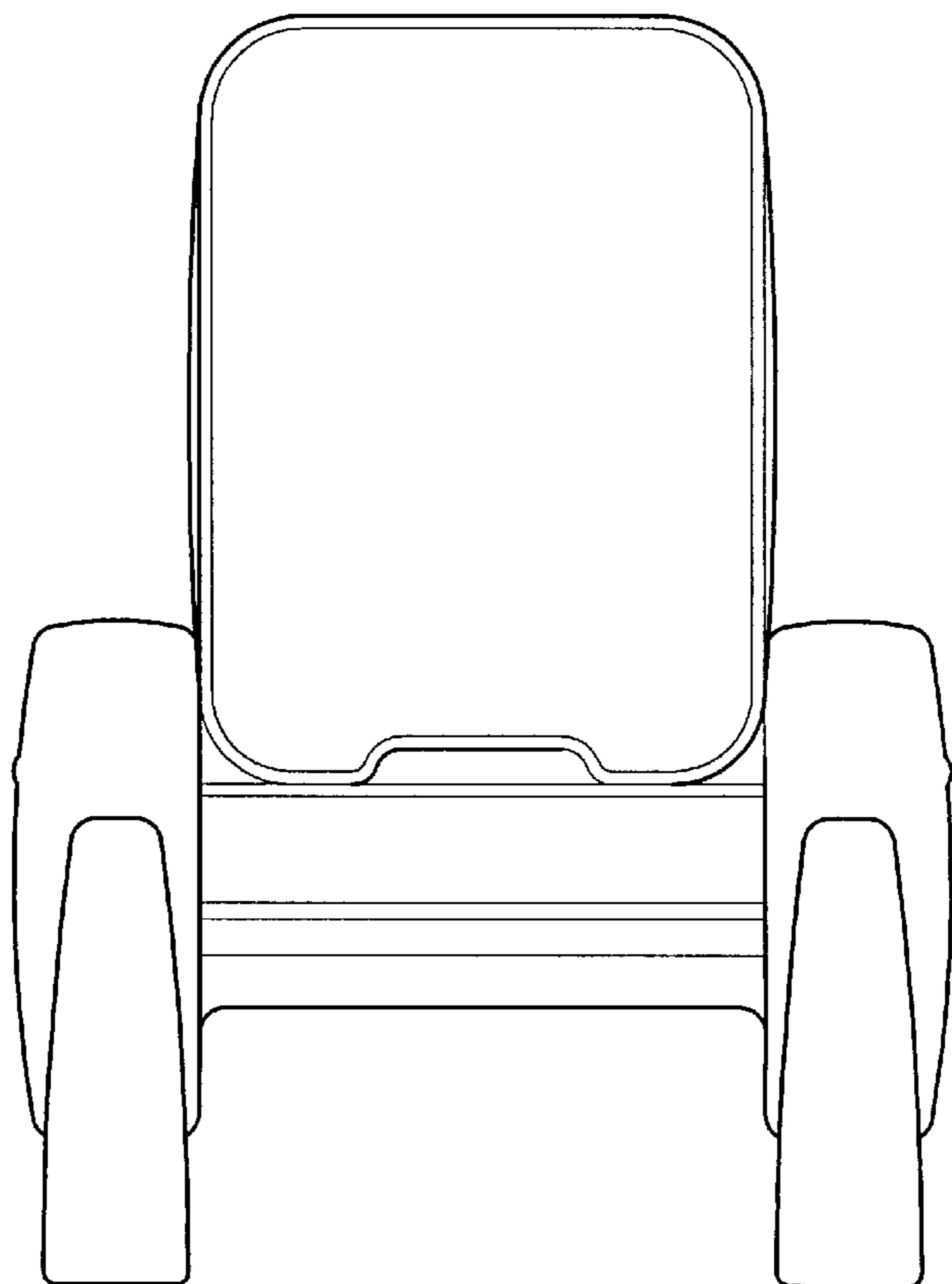


Fig-3

Fig-4



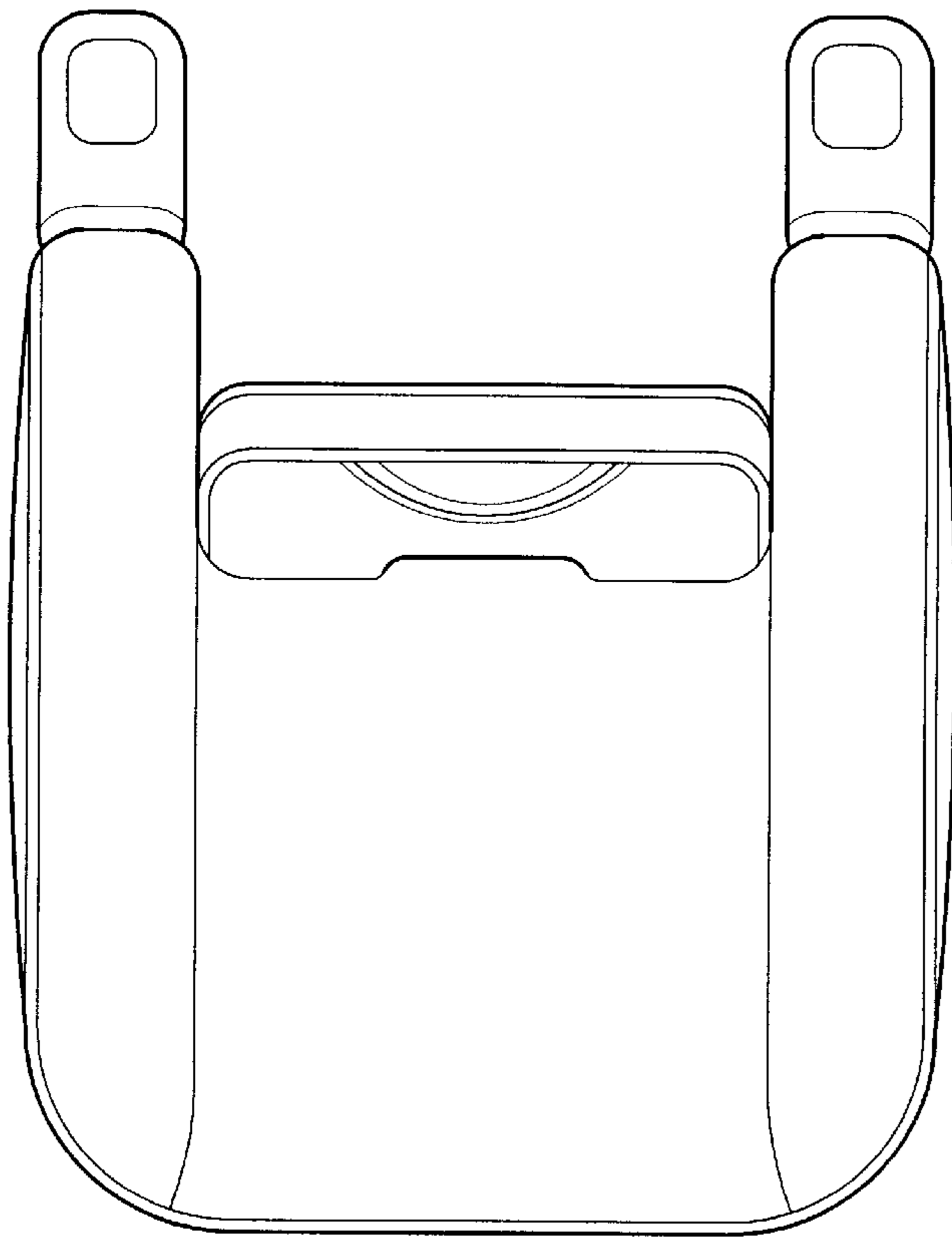


Fig-5

Fig-6

