



US00D422799S

United States Patent [19]

[11] **Patent Number: Des. 422,799**

Dworshak et al.

[45] **Date of Patent: ** Apr. 18, 2000**

[54] **COLLAPSIBLE ROCKING CHAIR**

D. 335,224	5/1993	Freeman et al.	D6/348
4,509,794	4/1985	Roland	297/440.13
5,765,922	6/1998	Hsia	297/440.13
5,803,548	9/1998	Battle	297/271.6

[76] Inventors: **Jack Dworshak; Patsy Dworshak**,
both of 844 Begonia St., Escondido,
Calif. 92027

Primary Examiner—Doris V. Coles
Assistant Examiner—Mimosa De

[**] Term: **14 Years**

[57] **CLAIM**

[21] Appl. No.: **29/093,642**

The ornamental design for a collapsible rocking chair, as shown and described.

[22] Filed: **Sep. 15, 1998**

[51] **LOC (6) Cl. 06-01**

DESCRIPTION

[52] **U.S. Cl. D6/348**

[58] **Field of Search** D6/334, 335, 344,
D6/348, 364, 365, 368, 374, 375, 376,
379, 500, 501, 502; 297/258.1, 271.6, 440.13

FIG. 1 is a front elevational view of the collapsible rocking chair showing my new design in unassembled condition; FIG. 2 is a rear elevational view thereof; FIG. 3 is a left side elevational view thereof; FIG. 4 is a right side elevational view thereof; FIG. 5 is a top plan view thereof; FIG. 6 is a bottom plan view thereof; and, FIG. 7 is an enlarged isometric view thereof in assembled condition.

[56] **References Cited**

U.S. PATENT DOCUMENTS

D. 63,045	9/1923	Strickland	D6/348
D. 182,182	2/1958	Herchell	D6/348
D. 212,601	11/1968	Rubenstein	D6/348
D. 299,087	12/1988	Bruce	D6/348
D. 302,216	7/1989	Roland	D6/348
D. 324,961	3/1992	Gandy	D6/348
D. 333,575	3/1993	Hanson	D6/348

The fragmentary showing of wood graining in FIGS. 1, 2, and 7 is understood to be repeated throughout the surface shown.

1 Claim, 3 Drawing Sheets

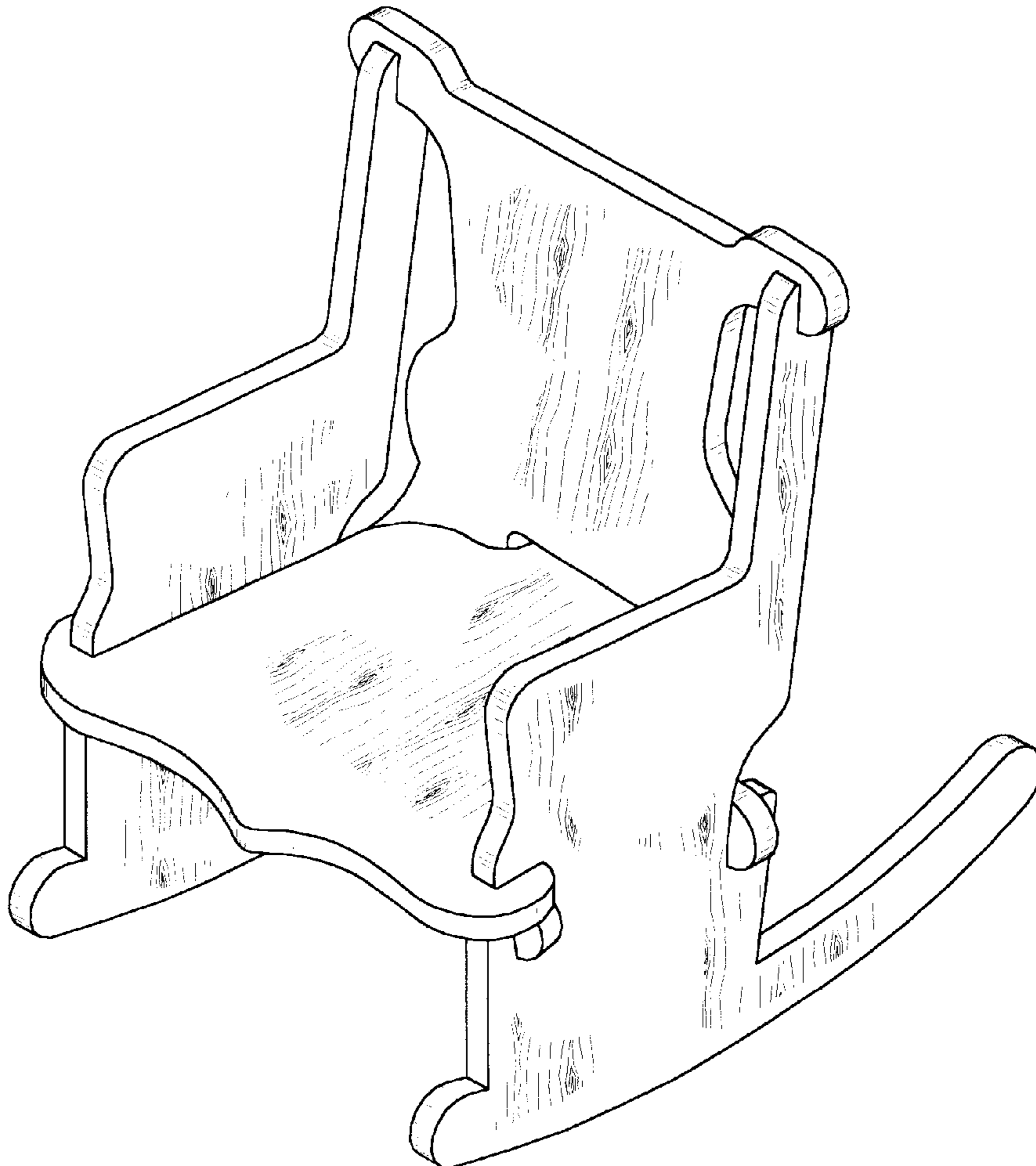


Fig. 1

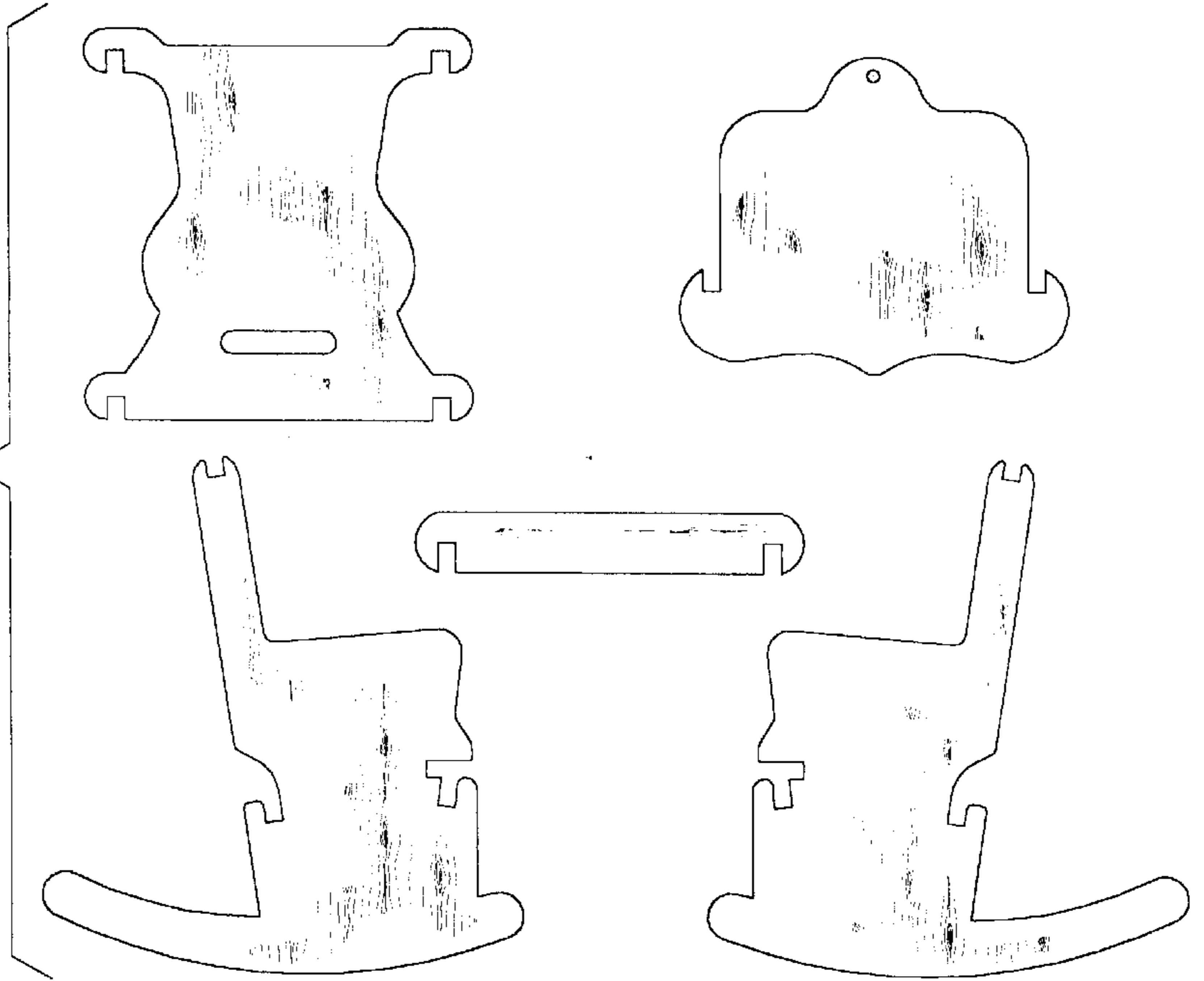
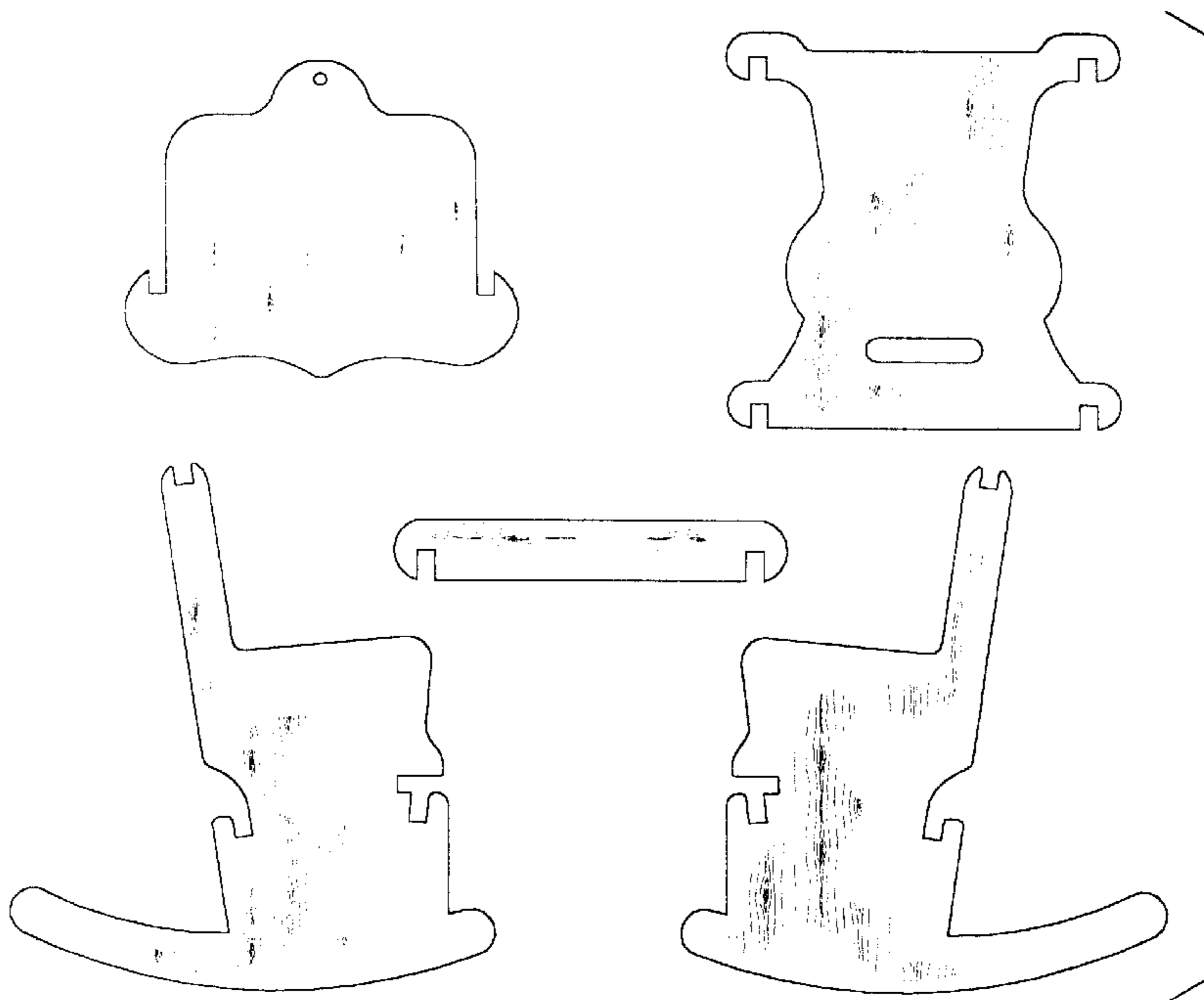
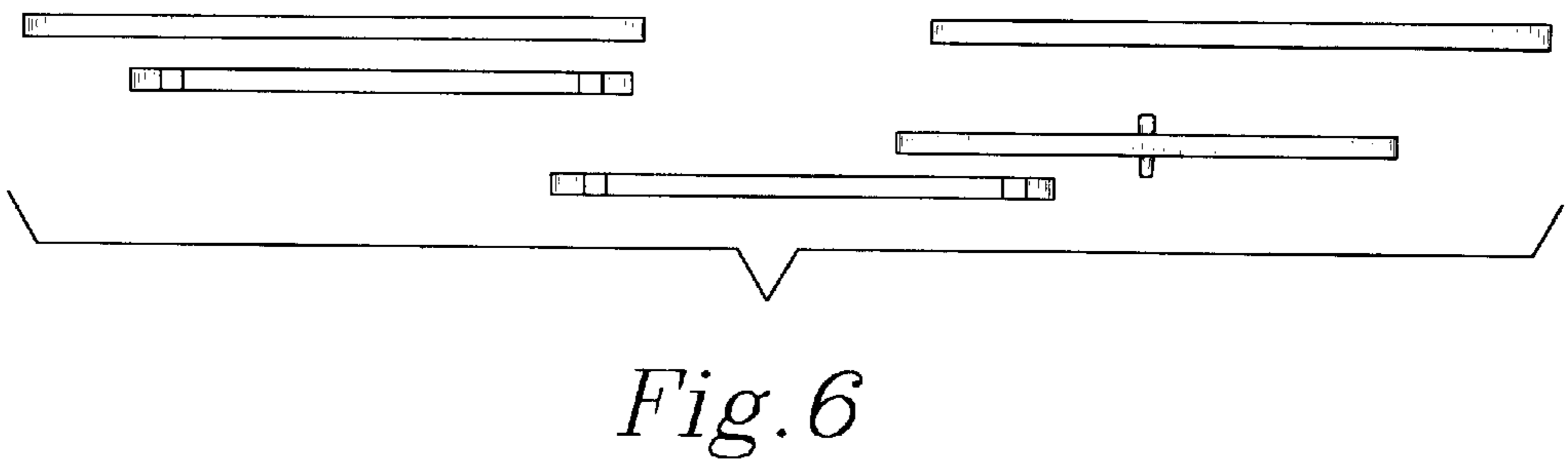
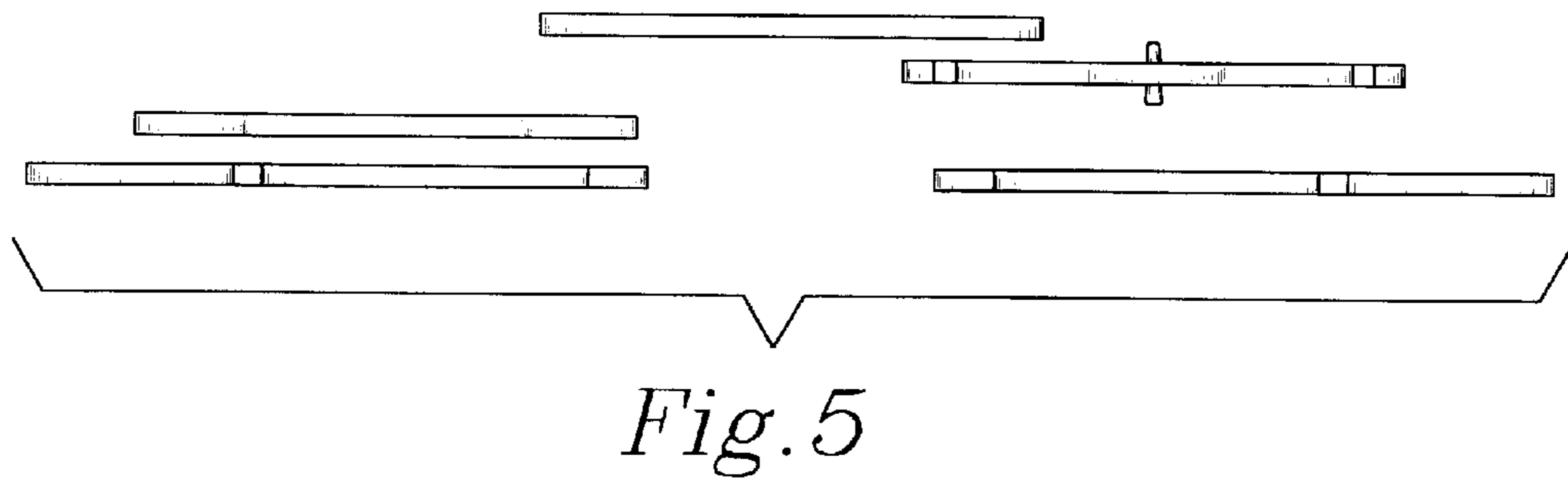
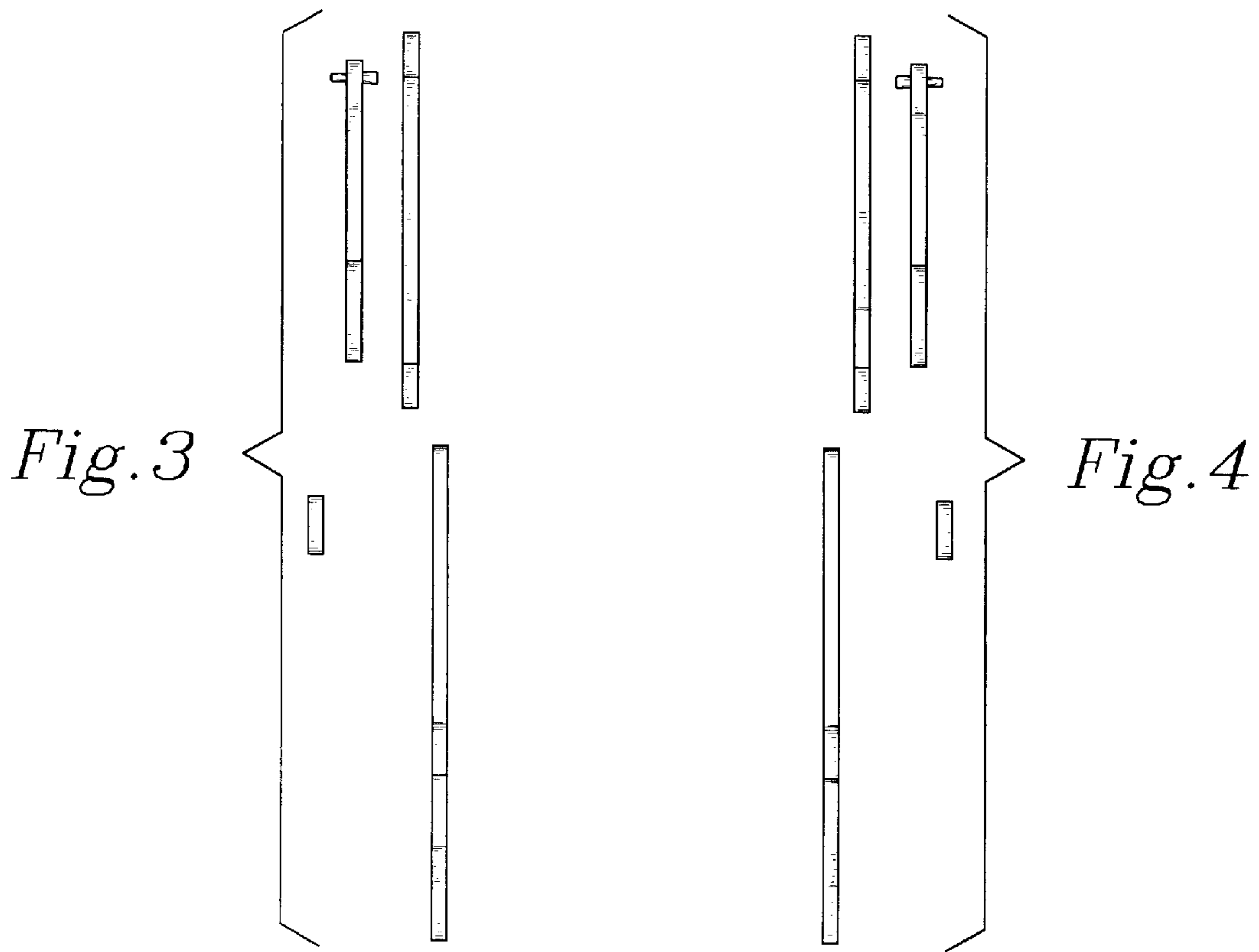


Fig. 2





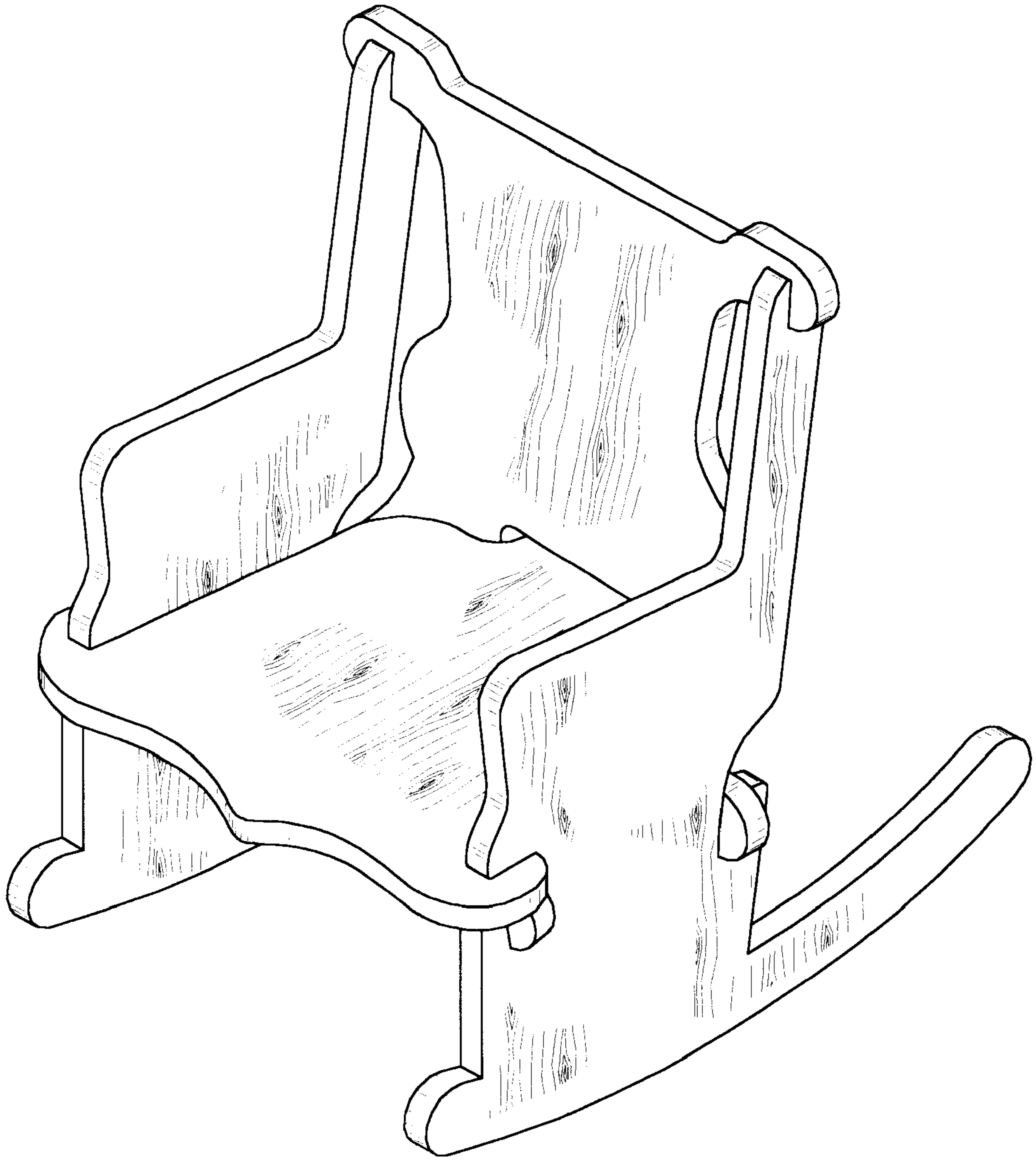


Fig. 7