



US00D422798S

# United States Patent [19] Holland

[11] **Patent Number: Des. 422,798**

[45] **Date of Patent: \*\* Apr. 18, 2000**

[54] **TODDLER TABLE WITH PLURALITY OF INTEGRAL CHILD SEATS**

3,366,415 1/1968 Cooper .  
4,718,717 1/1988 Cruz ..... 297/232

[76] Inventor: **Glenn Holland**, 832-202 Purser Dr., Raleigh, N.C. 27603

*Primary Examiner*—Doris V. Coles  
*Assistant Examiner*—Mimosa De  
*Attorney, Agent, or Firm*—Joanne Denison; Denison & Assocs PC

[\*\*] Term: **14 Years**

[21] Appl. No.: **29/099,037**

[57] **CLAIM**

[22] Filed: **Jan. 12, 1999**

The ornamental design for a toddler table with plurality of integral child seats, as shown.

[51] **LOC (6) Cl.** ..... **06-01**

[52] **U.S. Cl.** ..... **D6/338**

[58] **Field of Search** ..... D6/333, 335, 336, D6/337, 338, 339, 356, 423, 500, 501, 502; 297/151, 153, 232, 256.15, 487

**DESCRIPTION**

[56] **References Cited**

**U.S. PATENT DOCUMENTS**

D. 209,841	1/1968	Blue et al. ....	D6/337
D. 276,764	12/1984	Shipman et al. ....	D6/338
D. 356,689	3/1995	Mariol .....	D6/339
D. 364,746	12/1995	Lerner et al. ....	D6/333
D. 382,719	8/1997	Conrado et al. ....	D6/333
D. 383,911	9/1997	Conforti et al. ....	D6/339

FIG. 1 is a front perspective view of the toddler table with plurality of integral child seats;  
FIG. 2 is a top plan view of the toddler table with plurality of integral child seats;  
FIG. 3 is a right end elevational view of the toddler table with plurality of integral child seats;  
FIG. 4 is a back view of the toddler table with plurality of integral child seats; and,  
FIG. 5 is a bottom plan view of the toddler table with plurality of integral child seats;

**1 Claim, 4 Drawing Sheets**

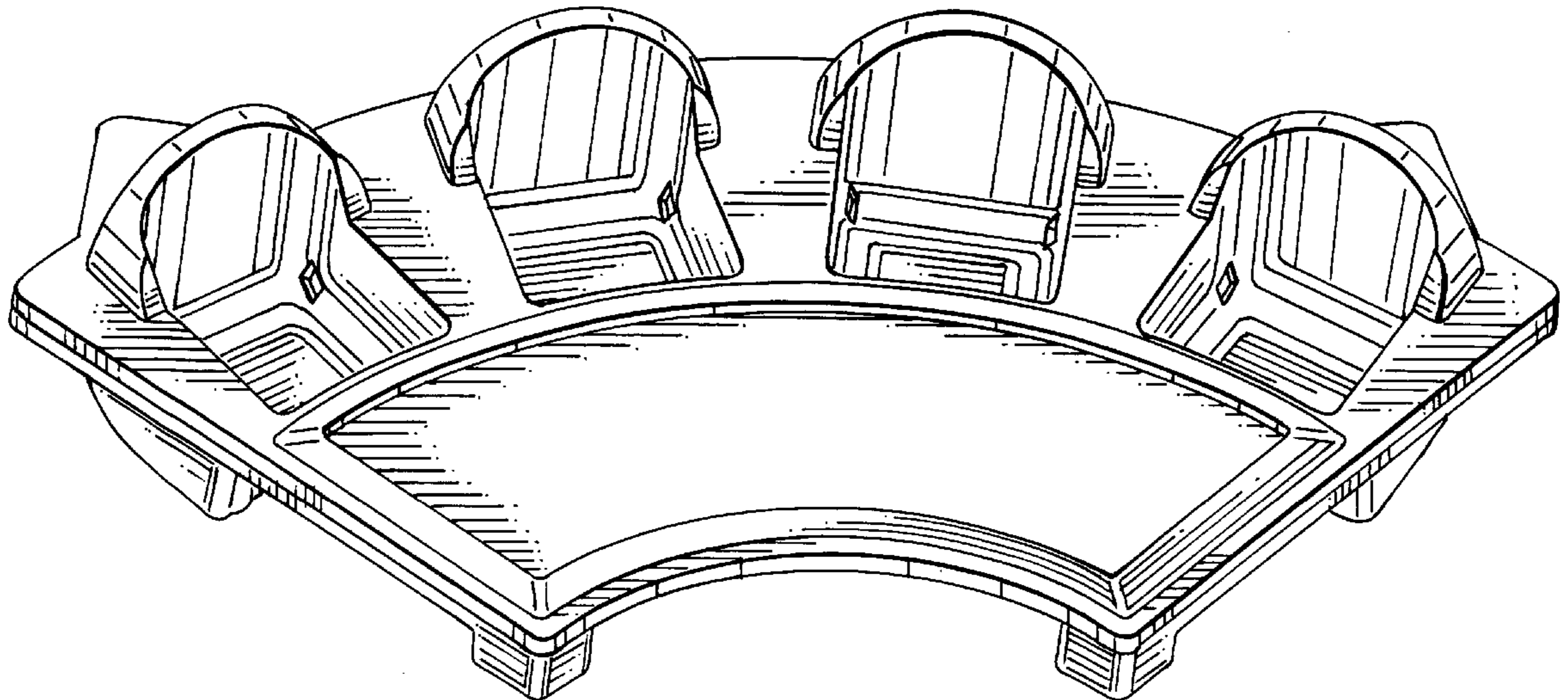


FIG. 1

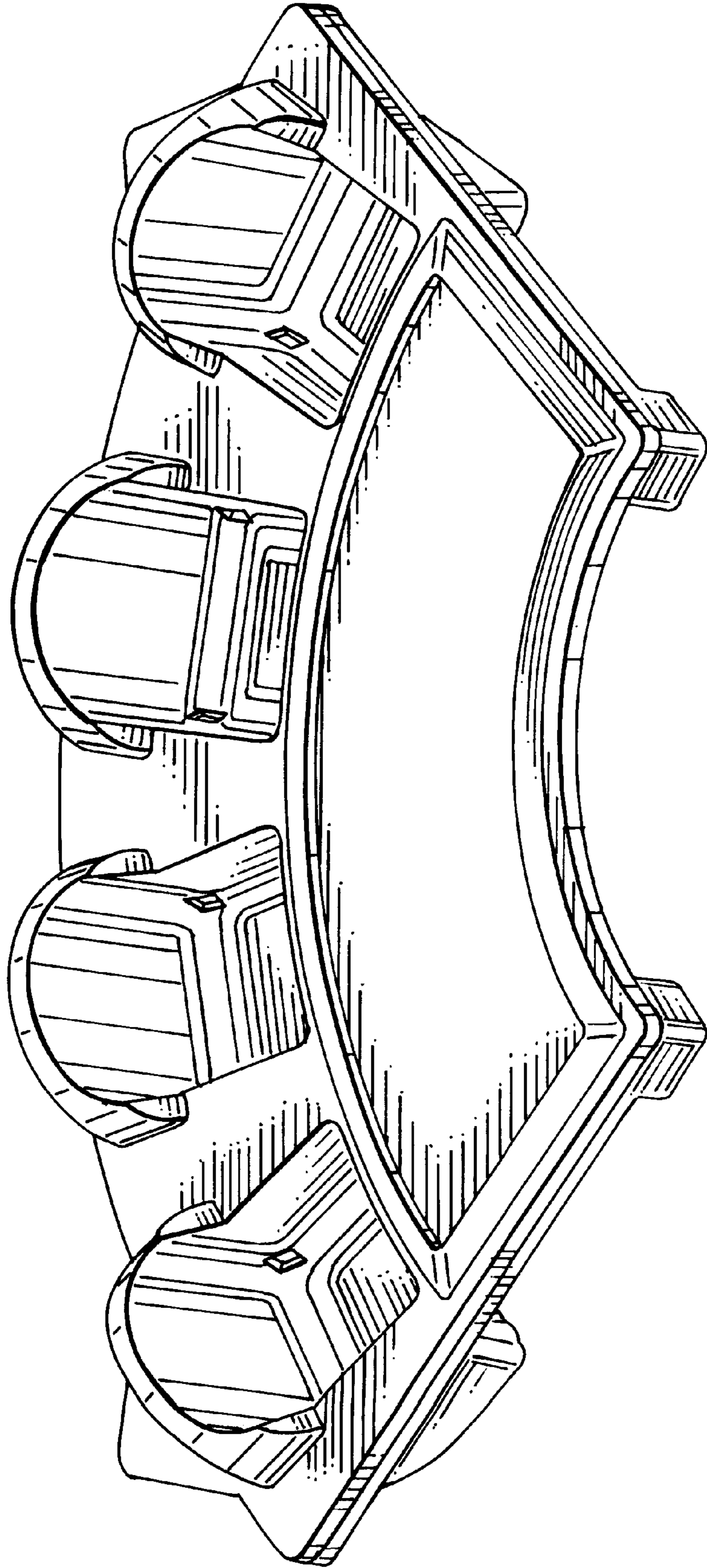


FIG. 2

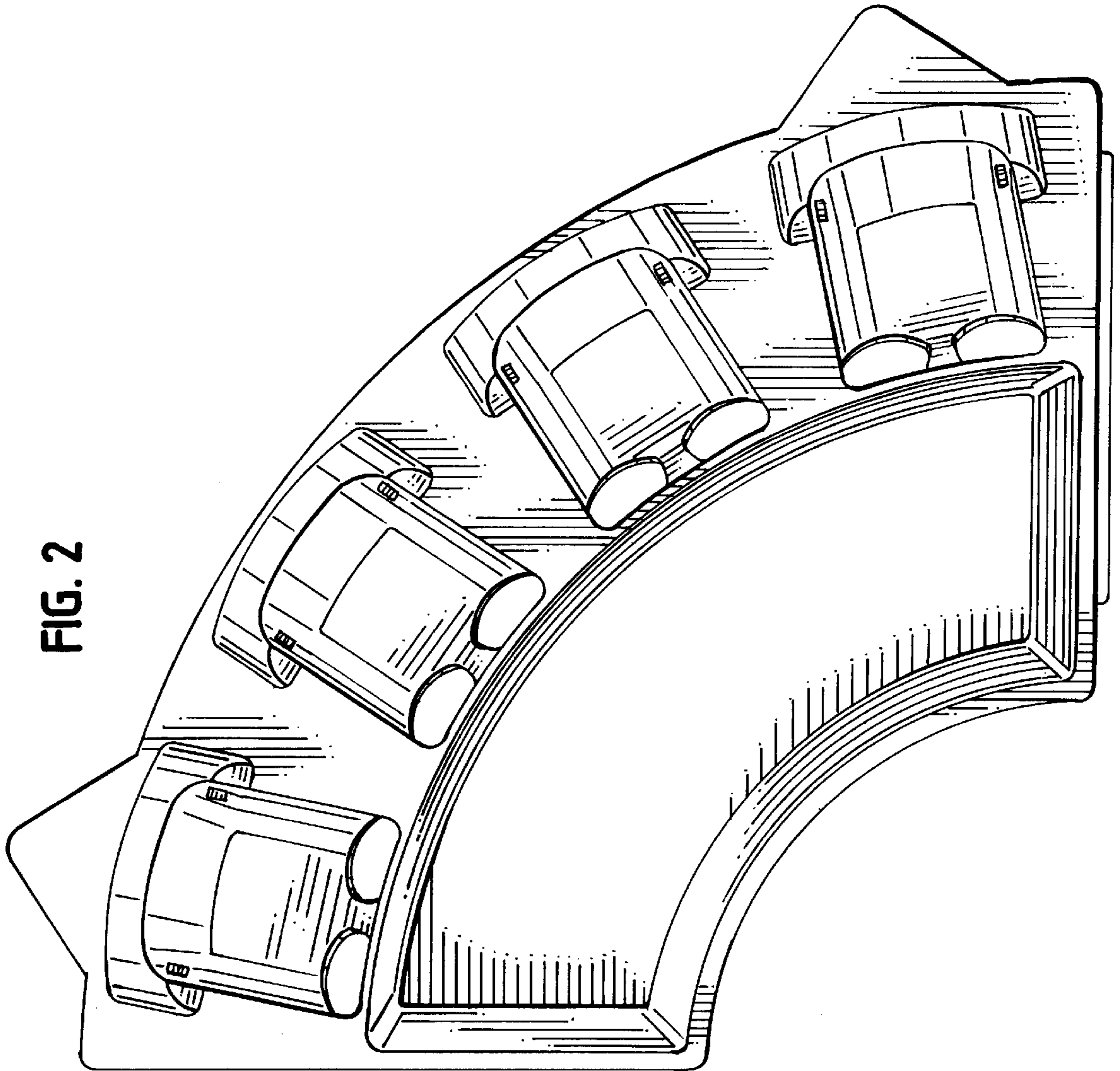


FIG. 3

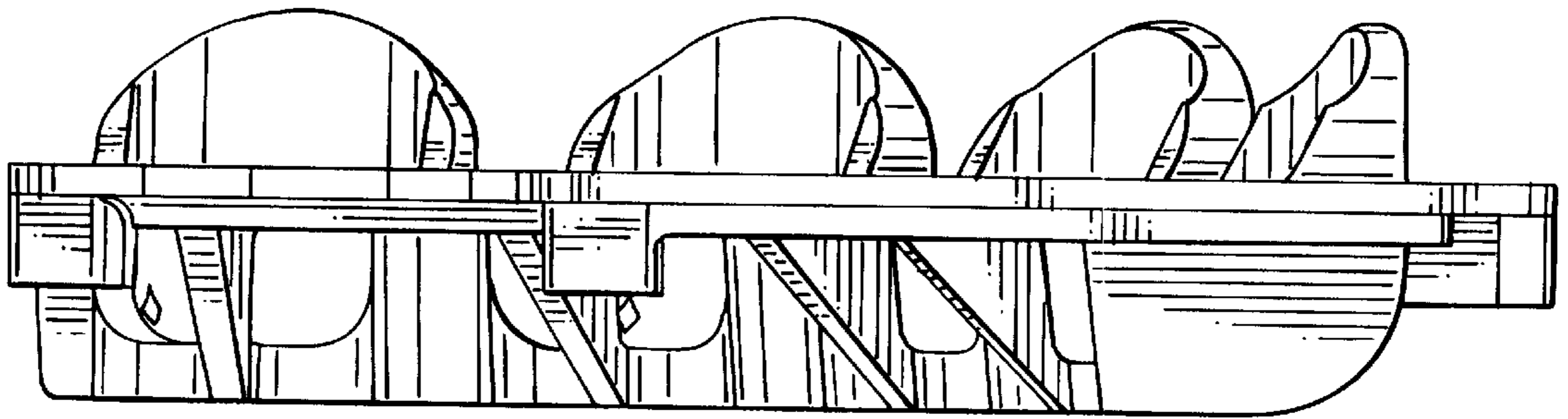
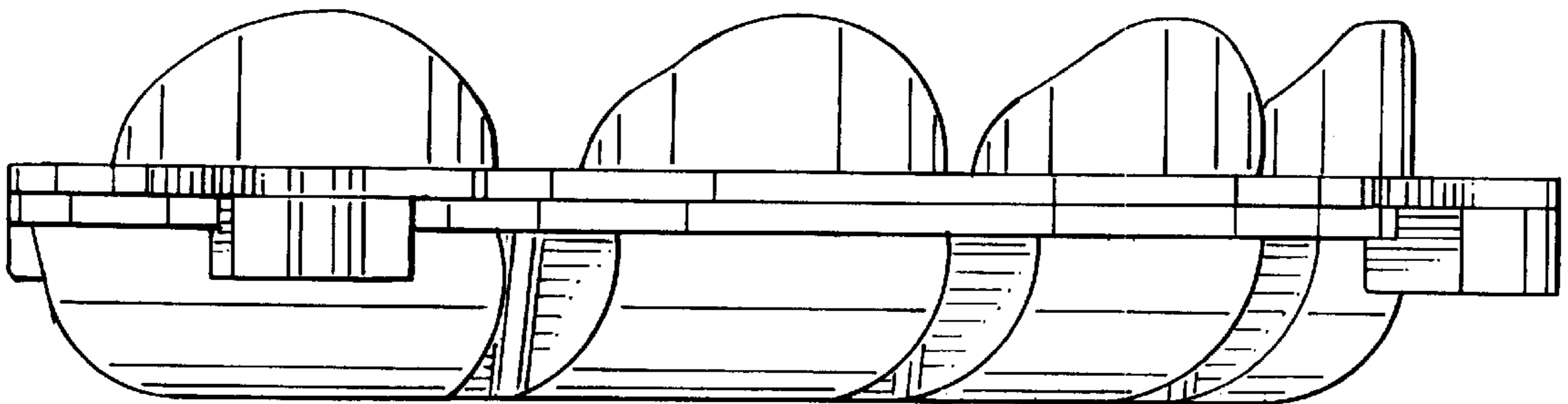


FIG. 4



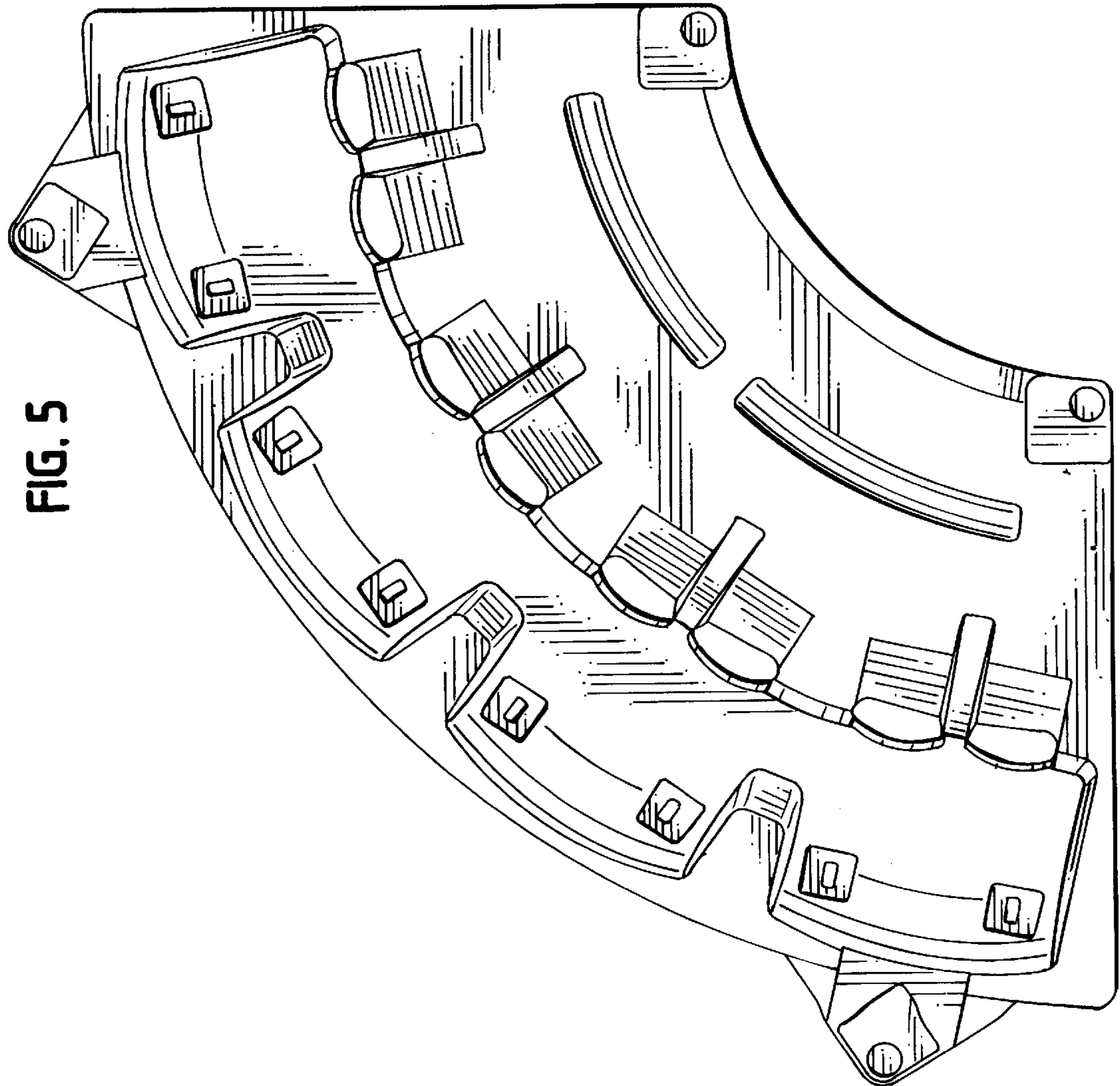


FIG. 5