



US00D422791S

United States Patent [19] Han

[11] Patent Number: **Des. 422,791**

[45] Date of Patent: **** Apr. 18, 2000**

[54] **GOLF BAG BASE**
[76] Inventor: **Don Kyu Han**, 1 Saros, Irvine, Calif.
92612
[**] Term: **14 Years**
[21] Appl. No.: **29/104,509**
[22] Filed: **May 6, 1999**

5,390,788 2/1995 Schenkan 206/315.3
5,415,285 5/1995 Reimers .
5,464,180 11/1995 Cheng .
5,507,384 4/1996 Maeng .
5,516,064 5/1996 Hsieh .
5,549,263 8/1996 Maeng .
5,607,128 3/1997 Suk .
5,762,189 6/1998 Reimers .
5,799,786 9/1998 Beck et al. .
5,829,170 11/1998 Han 248/96

Related U.S. Application Data

[63] Continuation-in-part of application No. 09/218,993, Dec. 22, 1998.
[51] **LOC (6) Cl.** **03-99**
[52] **U.S. Cl.** **D3/320**
[58] **Field of Search** D3/319-321, 255,
D3/259; 206/815.3, 815.5, 315.6, 315.7,
315.8; 248/95, 96, 99-101

[56] References Cited

U.S. PATENT DOCUMENTS

D. 202,635 10/1965 Rashkow D3/255
1,757,471 5/1930 Platt .
2,430,107 11/1947 Cronrath .
4,620,682 11/1986 Yim .
4,834,235 5/1989 Solheim et al. .
4,921,192 5/1990 Jones .
5,042,654 8/1991 Jones 206/315.3
5,152,483 10/1992 Maeng .
5,154,377 10/1992 Suk .
5,186,424 2/1993 Shultz et al. .
5,209,350 5/1993 Maeng .
5,340,063 8/1994 Hsieh .

FOREIGN PATENT DOCUMENTS

125826 10/1947 Australia 206/315.6

Primary Examiner—Louis S. Zarfaz
Assistant Examiner—Robert A. Delehanty

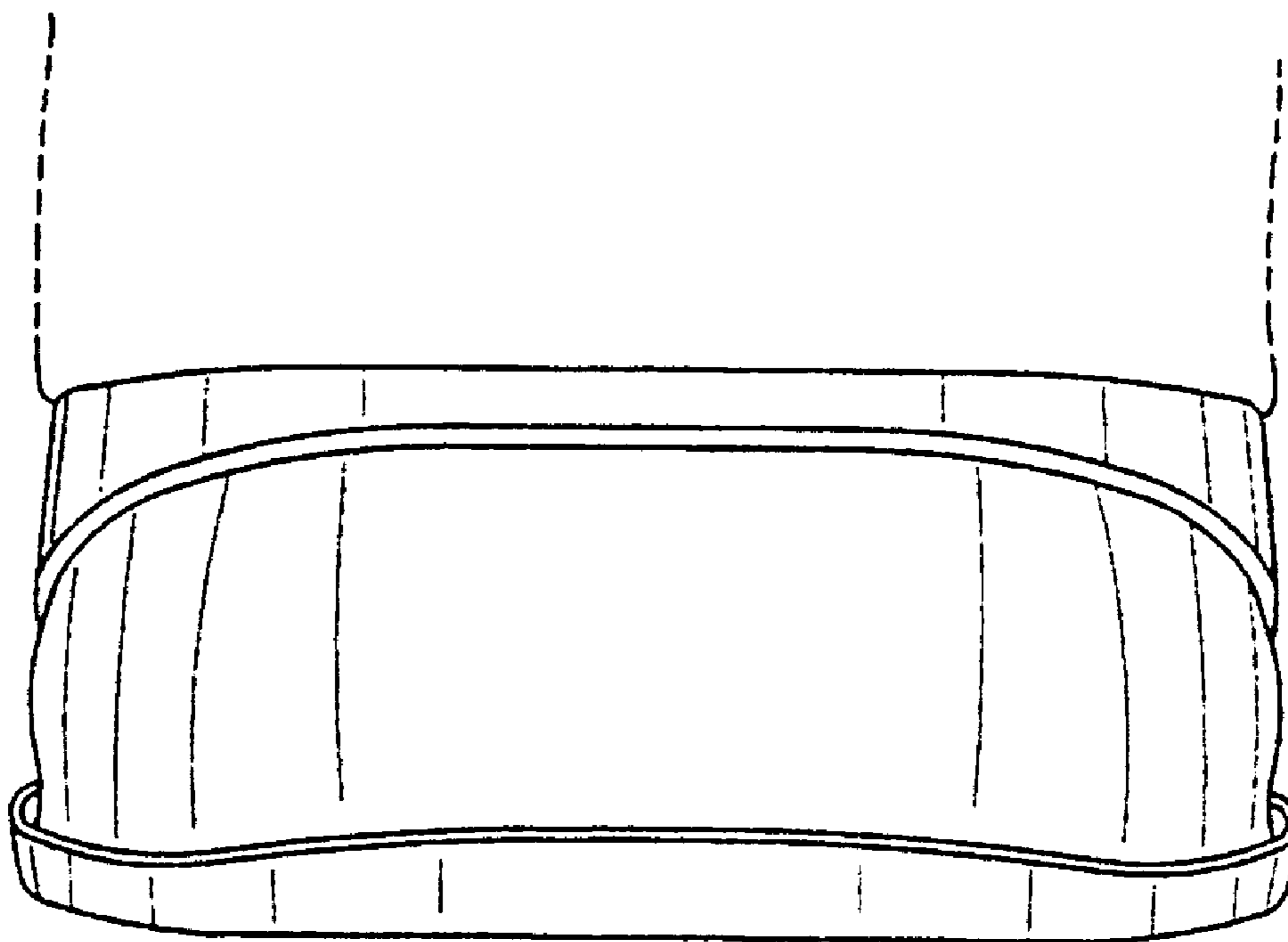
[57] CLAIM

The design for golf bag base, as shown and described.

DESCRIPTION

FIG. 1 is a front perspective view of a golf bag base showing my new design;
FIG. 2 is a front perspective view shown on an enlarged scale thereof;
FIG. 3 is a right side elevation view shown on an enlarged scale, it being understood that the left side is a mirror image thereof;
FIG. 4 is a rear perspective view shown on an enlarged scale; and,
FIG. 5 is a bottom plan view shown on an enlarged scale. The broken line showing of a golf bag is for illustrative purposes only and forms no part of the claimed design.

1 Claim, 2 Drawing Sheets



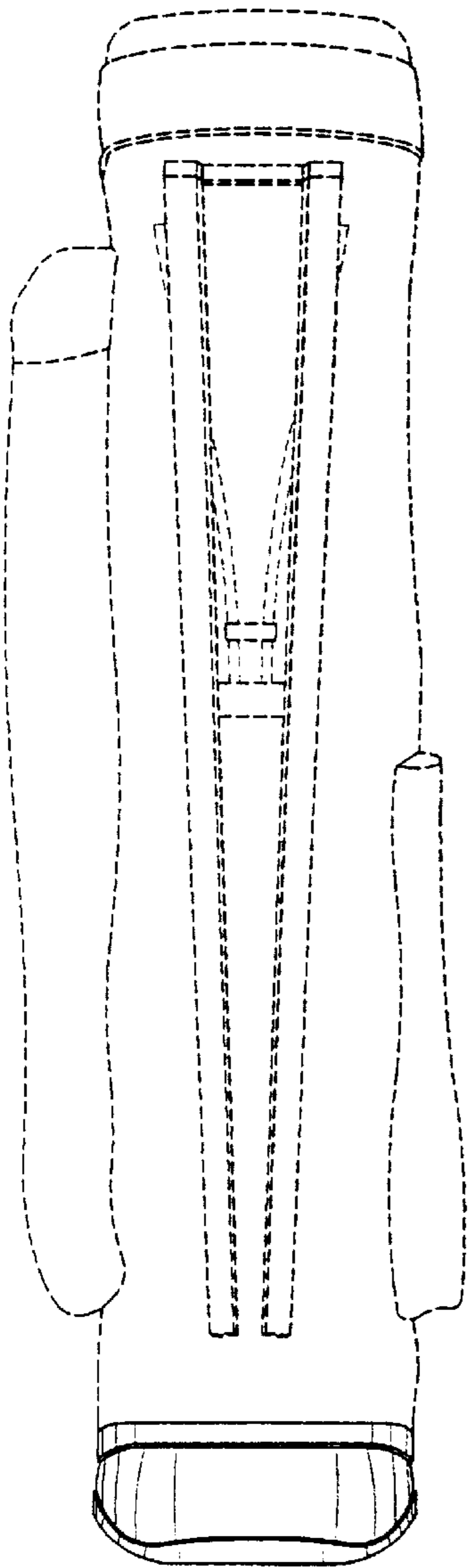


FIG. 1

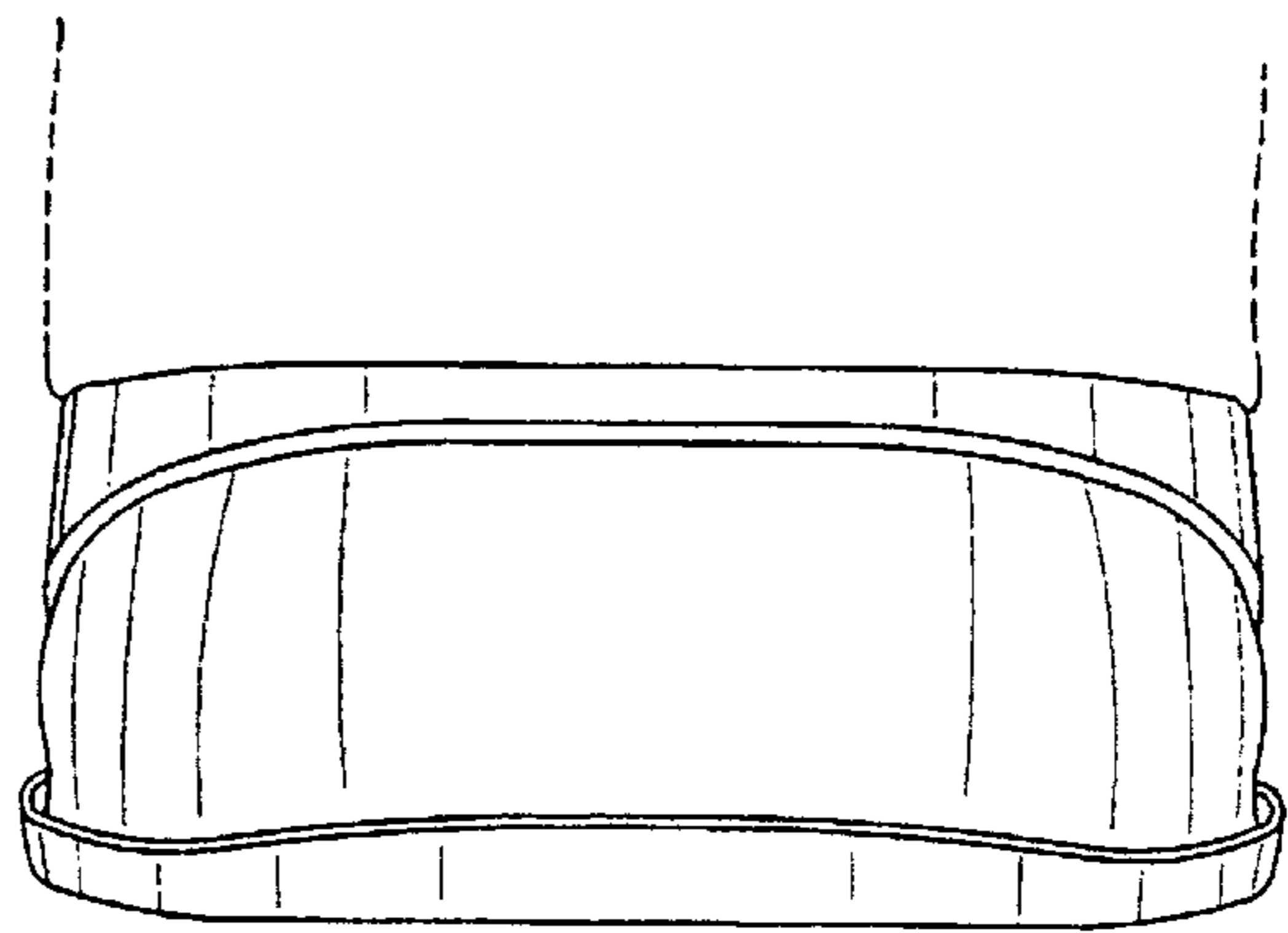


FIG. 2

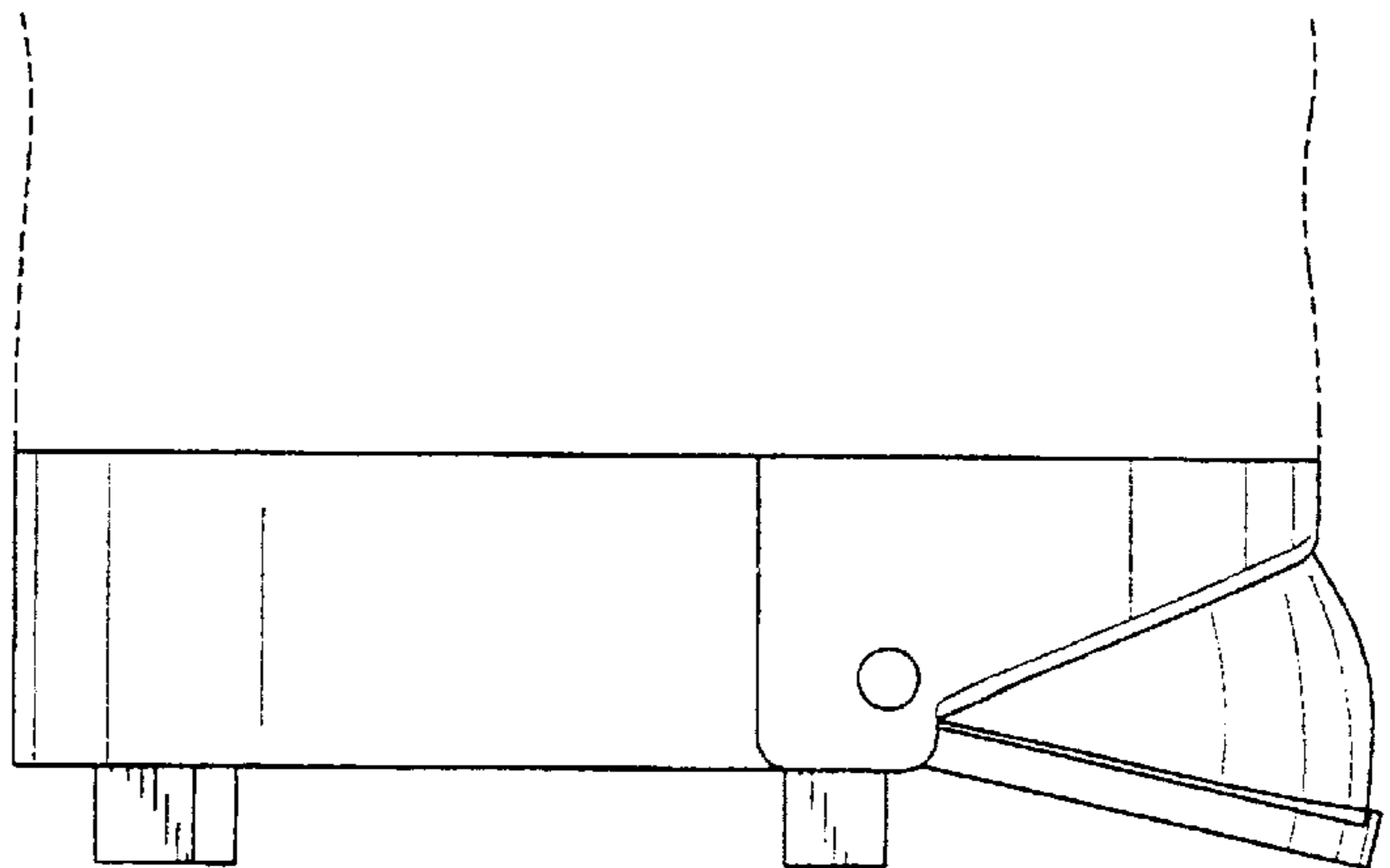


FIG. 3

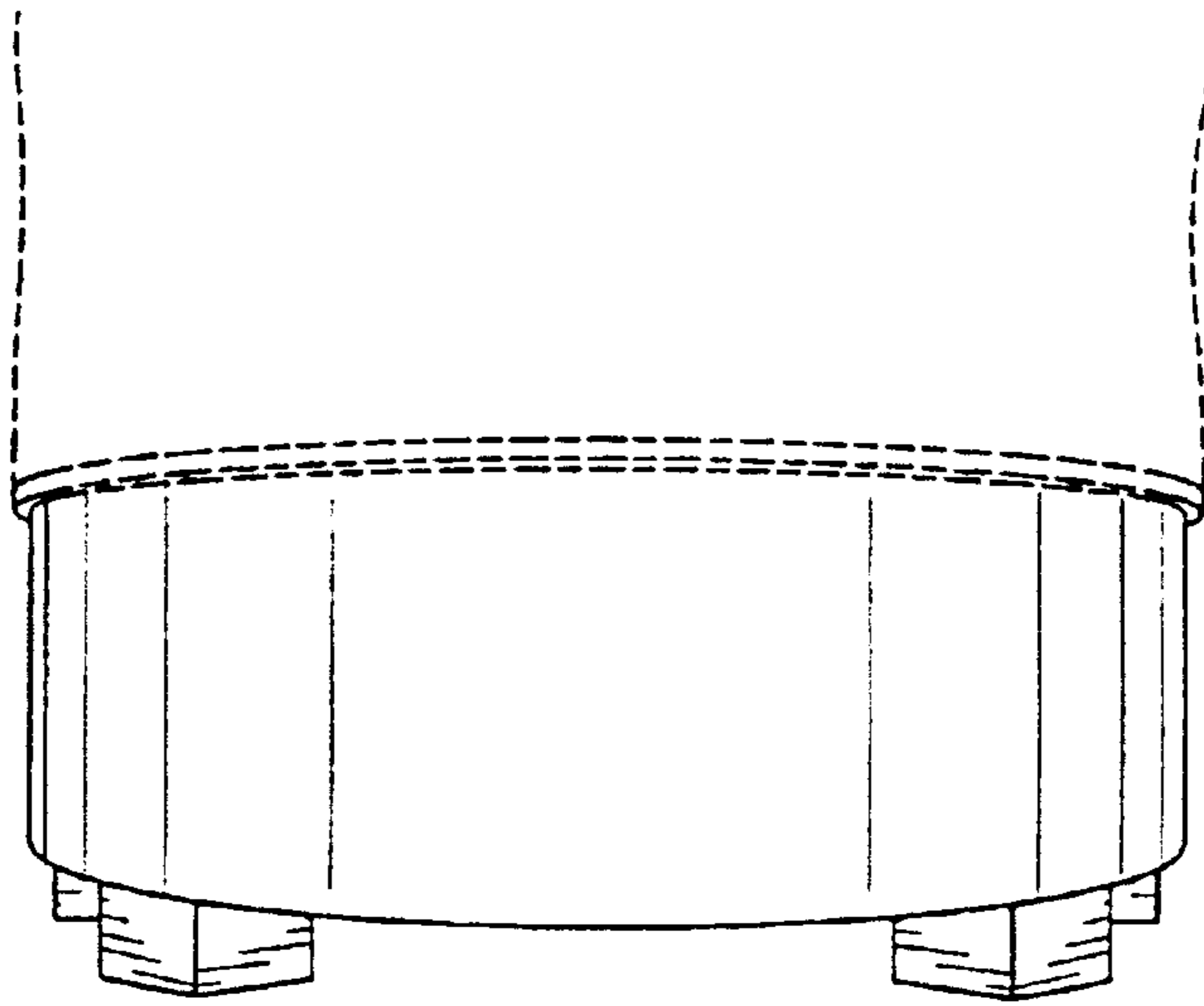


FIG. 4

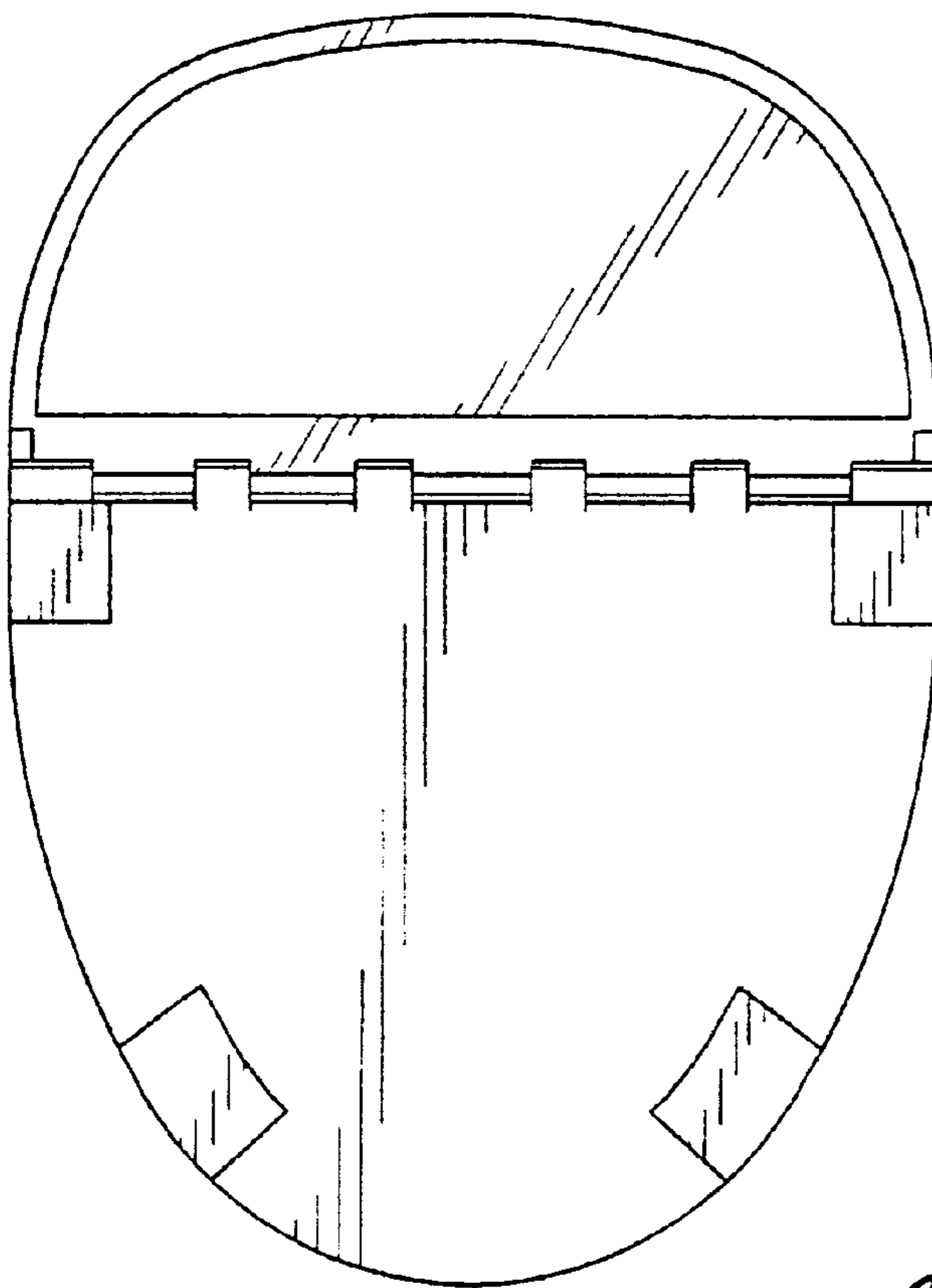


FIG. 5