



US00D422790S

United States Patent [19] Cho

[11] Patent Number: **Des. 422,790**

[45] Date of Patent: **** Apr. 18, 2000**

[54] **GOLF BAG DIVIDER FOR A GOLF BAG**

[76] Inventor: **Kwang H. Cho**, 3249 Hawkwood Rd.,
Diamond Bar, Calif. 91765

[**] Term: **14 Years**

[21] Appl. No.: **29/100,306**

[22] Filed: **Feb. 8, 1999**

[51] **LOC (6) Cl.** **03-99**

[52] **U.S. Cl.** **D3/320**

[58] **Field of Search** D3/319-321, 255,
D3/259; 206/315.3, 315.5, 315.6, 315.7,
315.8; 248/95-96, 99-101

[56] **References Cited**

U.S. PATENT DOCUMENTS

D. 255,290	6/1980	Zopf	D3/37
D. 284,135	6/1986	Wilson et al.	D3/30.1
D. 293,852	1/1988	Scroggins	D3/37
D. 323,741	2/1992	Antonious	D3/37
D. 325,299	4/1992	Antonious	D3/36
D. 327,168	6/1992	Antonious	D3/36
D. 331,660	12/1992	Souhrada et al.	D3/255
D. 349,406	8/1994	Shumay	D3/320
D. 379,719	6/1997	Suk	D3/320

D. 382,406	8/1997	Kim	D3/320
D. 391,082	2/1998	Kim	D3/320
5,228,566	7/1993	Shenoha	206/315.6
5,505,300	4/1996	Joh	206/315.6
5,853,086	12/1998	Chang	206/315.3

Primary Examiner—Louis S. Zarfes
Assistant Examiner—Robert A. Delehanty
Attorney, Agent, or Firm—John K. Park; Park & Sutton LLP

[57] **CLAIM**

The ornamental design for a golf club divider for a golf bag, as shown and described.

DESCRIPTION

FIG. 1 is a top perspective view of a golf bag divider for a golf bag showing my new design in use;
FIG. 2 is a top perspective view enlarged to show details thereof;
FIG. 3 is a top plan view thereof;
FIG. 4 is a front elevational view thereof;
FIG. 5 is a side elevational view thereof; and,
FIG. 6 is a rear elevational view thereof.
The broken lines showing of a portion of a golf bag are for illustration purpose only and forms no part of the claimed design.

1 Claim, 6 Drawing Sheets

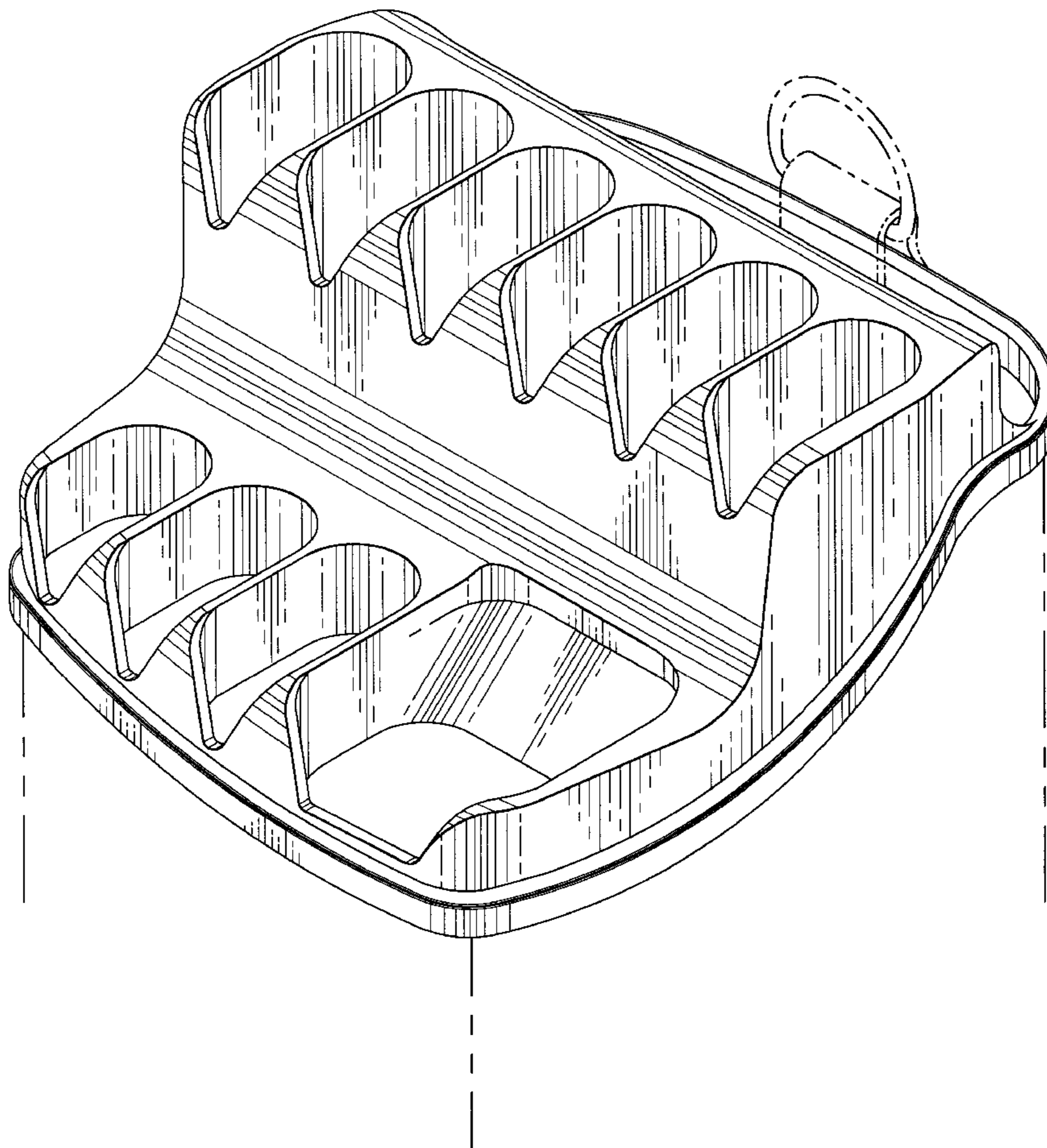


FIG. 1

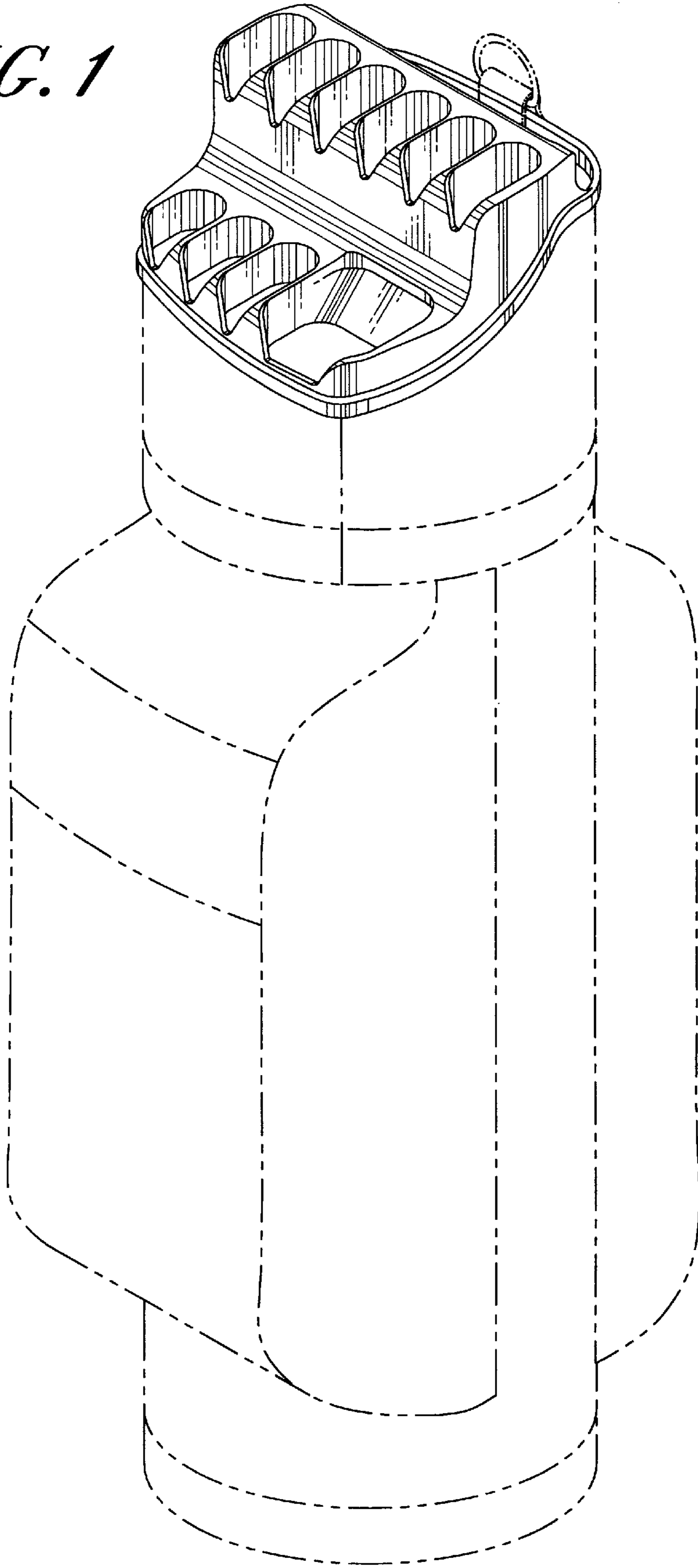
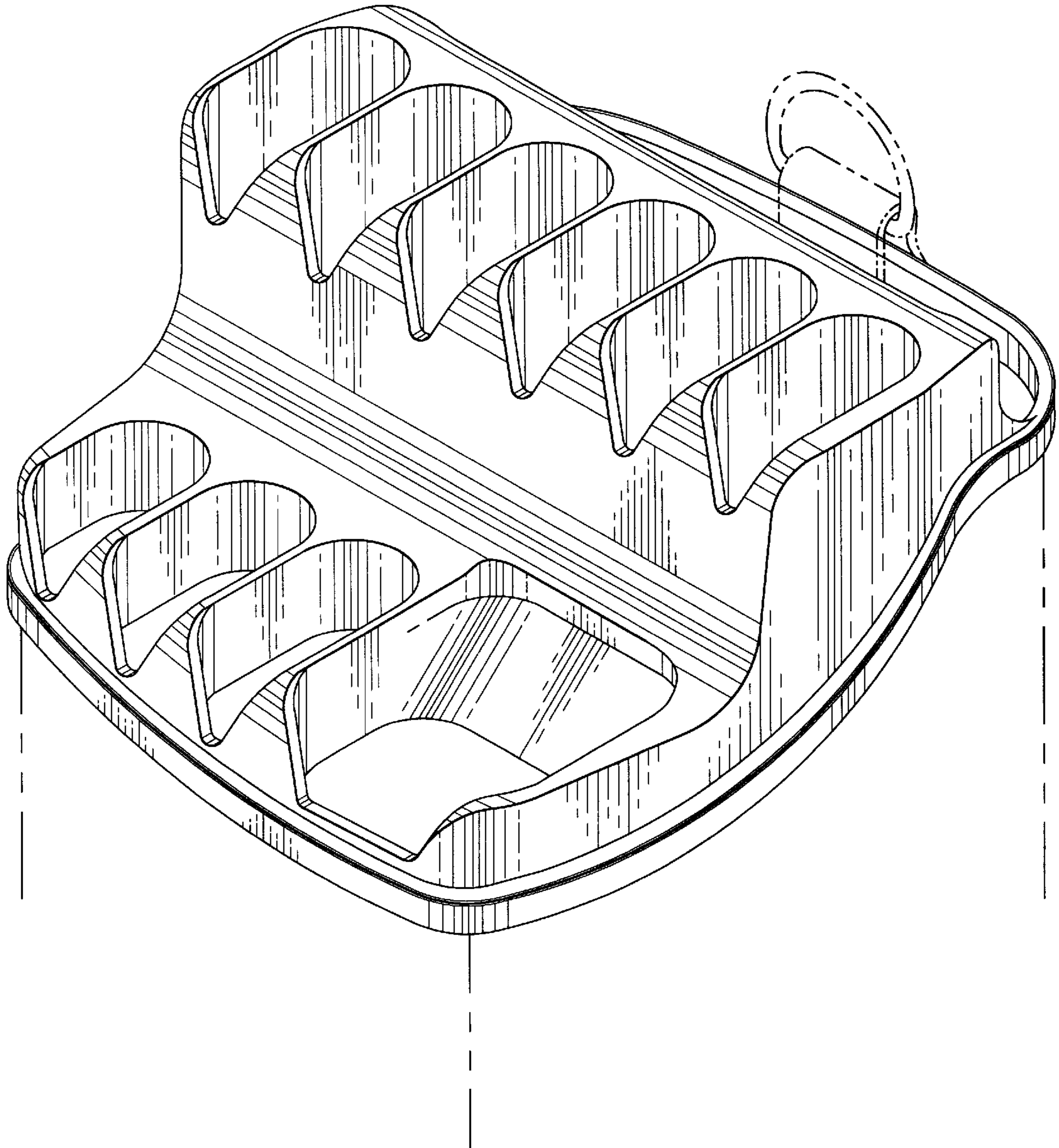


FIG. 2



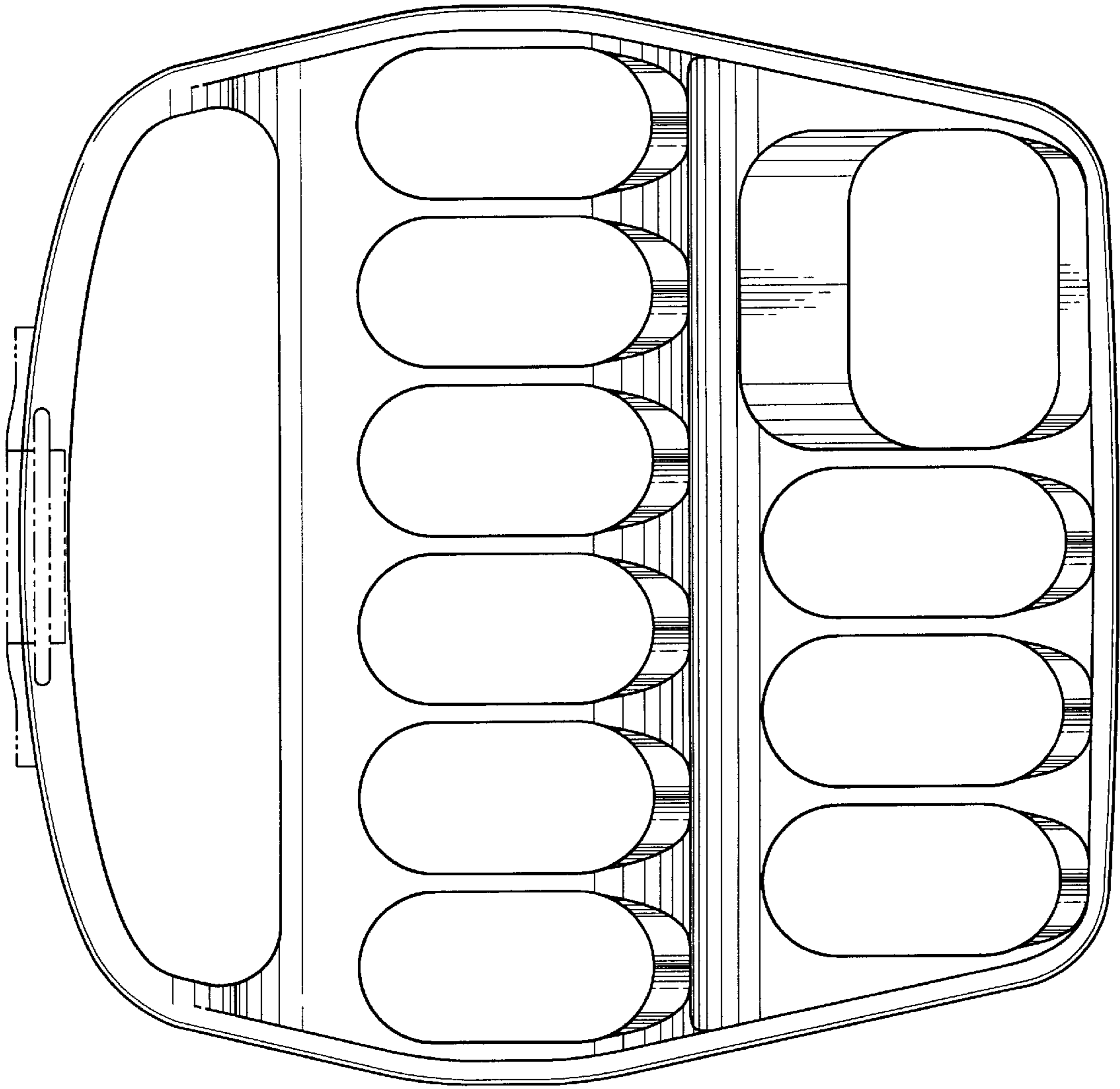


FIG. 3

FIG. 4

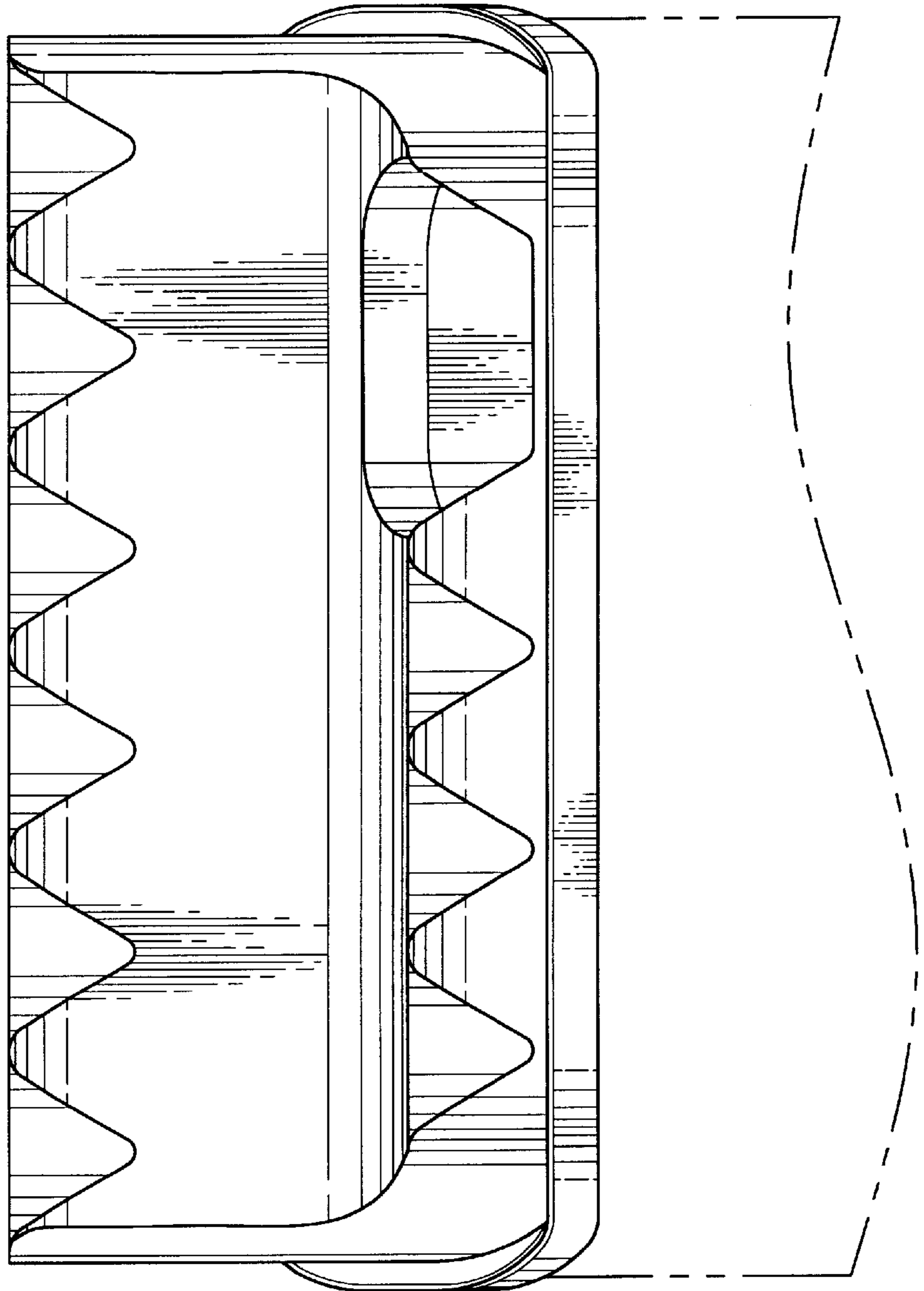


FIG. 5

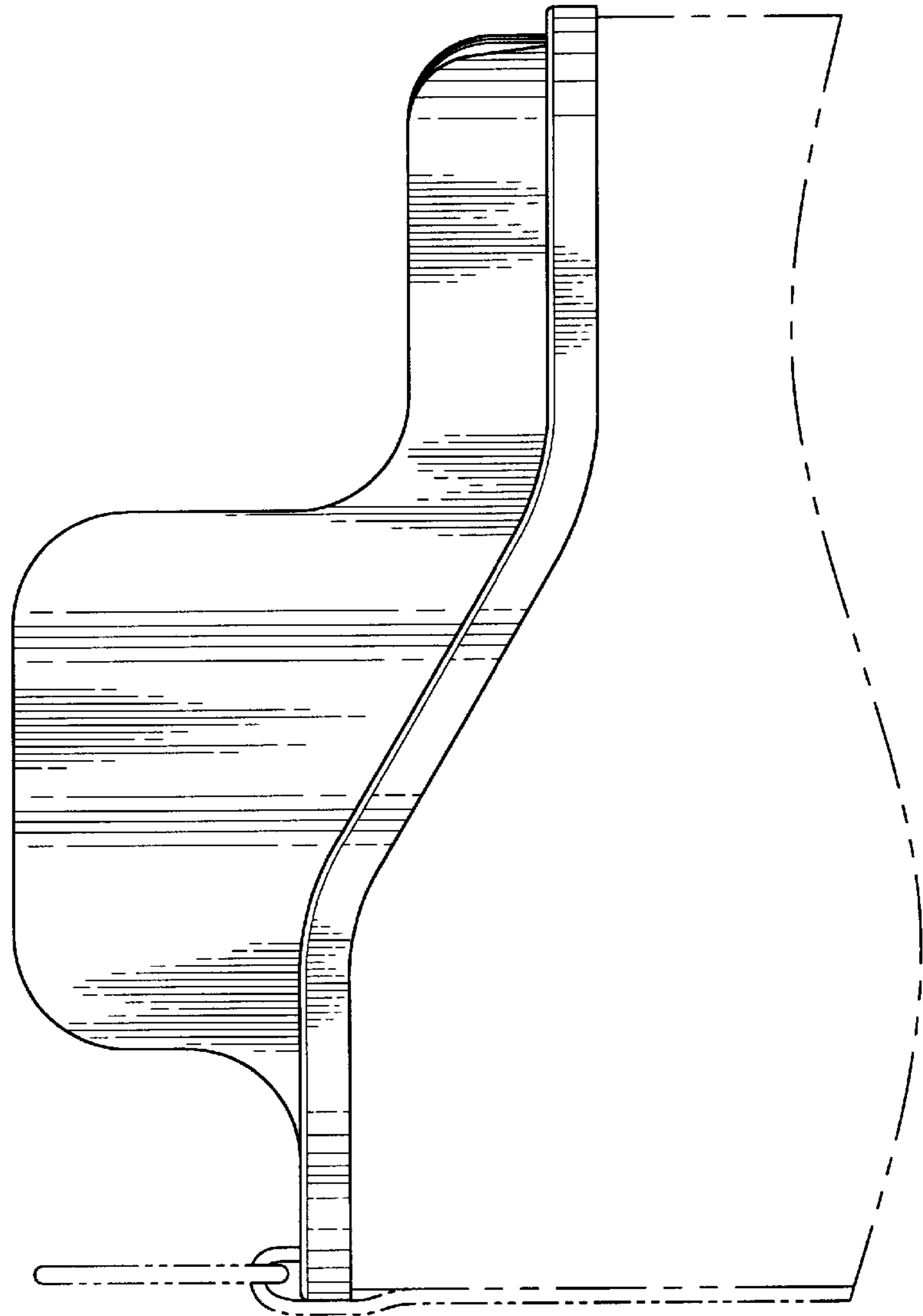


FIG. 6

