



US00D422789S

United States Patent [19]

Sundara et al.

[11] Patent Number: Des. 422,789

[45] Date of Patent: ** Apr. 18, 2000

[54] ASYMMETRICAL GOLF BAG TOP

[75] Inventors: **Chloe Helen Sundara**, Mill Valley, Calif.; **Eric Penman Bogner**, Bloomfield Hills, Mich.; **Bruce Anthony Janis**, San Francisco, Calif.

[73] Assignee: **Sundara Industries, Ltd.**, San Francisco, Calif.

[**] Term: **14 Years**

[21] Appl. No.: **29/092,293**

[22] Filed: **Aug. 13, 1998**

1,597,870	8/1926	Reach	206/315.6
1,680,354	11/1928	Williams	206/315.6
2,214,579	9/1940	Delin	248/96
2,282,842	5/1942	Abell	248/96
3,073,061	1/1963	Pearson	D25/155
3,503,518	3/1970	Black	206/315.6 X
4,995,510	2/1991	Fletcher, Jr.	206/315.6
5,297,328	3/1994	Reimers et al.	206/315.5
5,339,951	8/1994	Chen	206/315
5,356,003	10/1994	Gretz et al.	206/315.7
5,361,899	11/1994	Reimers	206/315.7
5,415,284	5/1995	King	206/315.6
5,450,955	9/1995	Olson	206/315.3
5,516,064	5/1996	Hsieh	248/96
5,860,520	1/1999	Tang	206/315.6

Related U.S. Application Data

[63] Continuation of application No. 08/994,847, Dec. 19, 1997.

[51] LOC (6) Cl. **03-99**

[52] U.S. Cl. **D3/320**

[58] Field of Search 248/96, 99-101; 206/315.2, 315.3, 315.4, 315.5, 315.6, 315.7, 315.8; D3/255, 259, 319-321

References Cited

U.S. PATENT DOCUMENTS

Re. 33,203	4/1990	Reimers	248/96
D. 172,785	8/1954	Eging	D3/255
D. 231,117	4/1974	Hullender	D26/51
D. 317,227	6/1991	Fumia	D3/255
D. 319,346	8/1991	Jessen	D3/37
D. 353,263	12/1994	Danezin	D3/255
D. 353,264	12/1994	Danezin	D3/255
D. 365,445	12/1995	Boone	206/315.1
D. 374,989	10/1996	LaPlante, Sr.	D3/320
D. 385,113	10/1997	Beck et al.	D3/320
D. 385,421	10/1997	MacDougall	D3/320
D. 391,082	2/1998	Kim	D3/320
D. 405,607	2/1999	Sundara et al.	D3/255
1,092,833	4/1914	Grant	206/315.3 X

FOREIGN PATENT DOCUMENTS

0139369	2/1981	Japan	248/96
2229640	3/1989	United Kingdom	248/96

Primary Examiner—Louis S. Zarfes
Assistant Examiner—Robert A. Delehanty
Attorney, Agent, or Firm—Blakely, Sokoloff, Taylor & Zafman

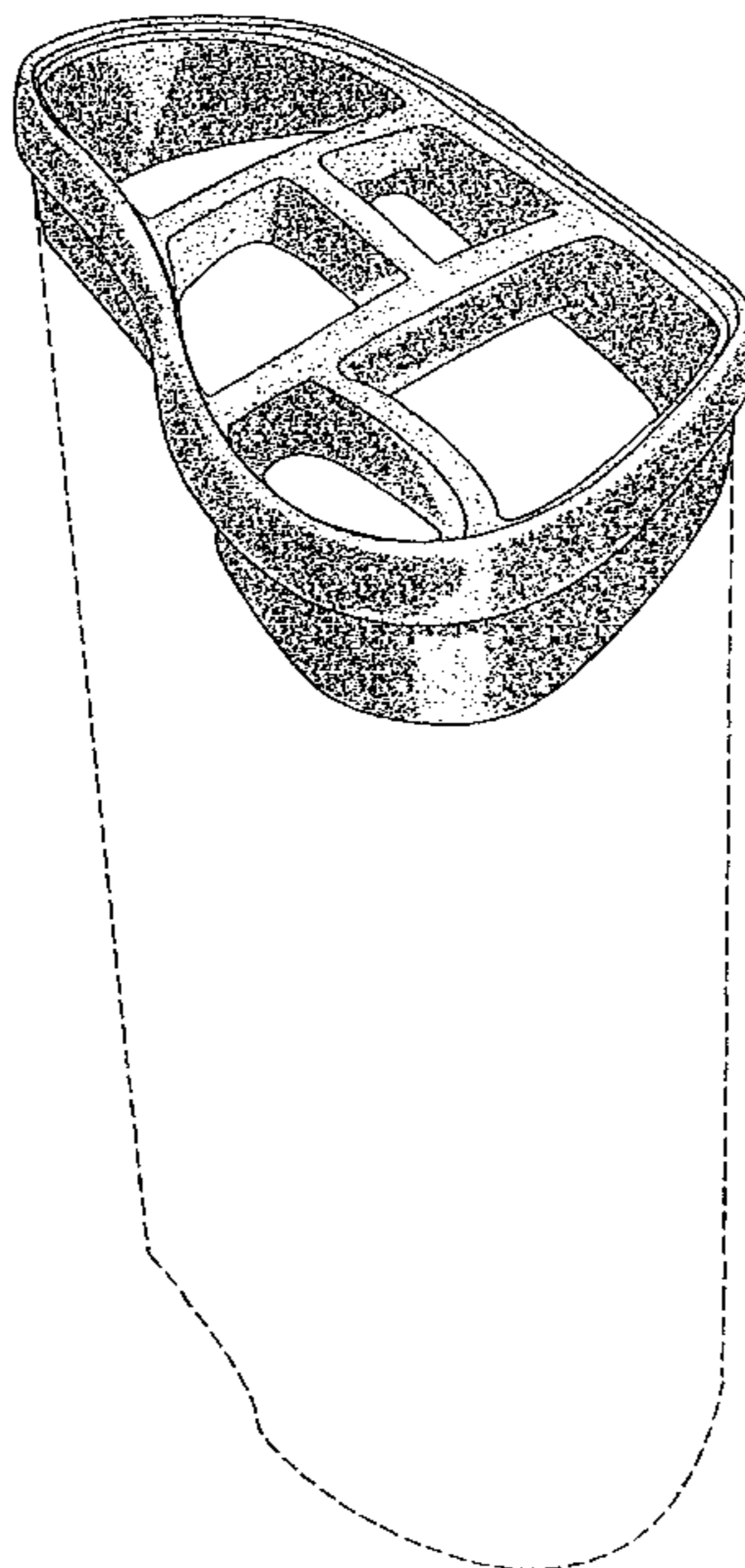
[57] CLAIM

The ornamental design for a asymmetrical golf bag top, as shown and described.

DESCRIPTION

FIG. 1 is a top plan view of an asymmetrical golf bag top showing my new design;
FIG. 2 is a perspective view of the top, front and one side of FIG. 1 on a reduced scale;
FIG. 3 is a rear perspective view of FIG. 2;
FIG. 4 is a left side perspective of FIG. 2; and,
FIG. 5 is a right side perspective of FIG. 2.
The broken line showing of a golf bag is for illustrative purposes only and forms no part of the claimed design.

1 Claim, 5 Drawing Sheets



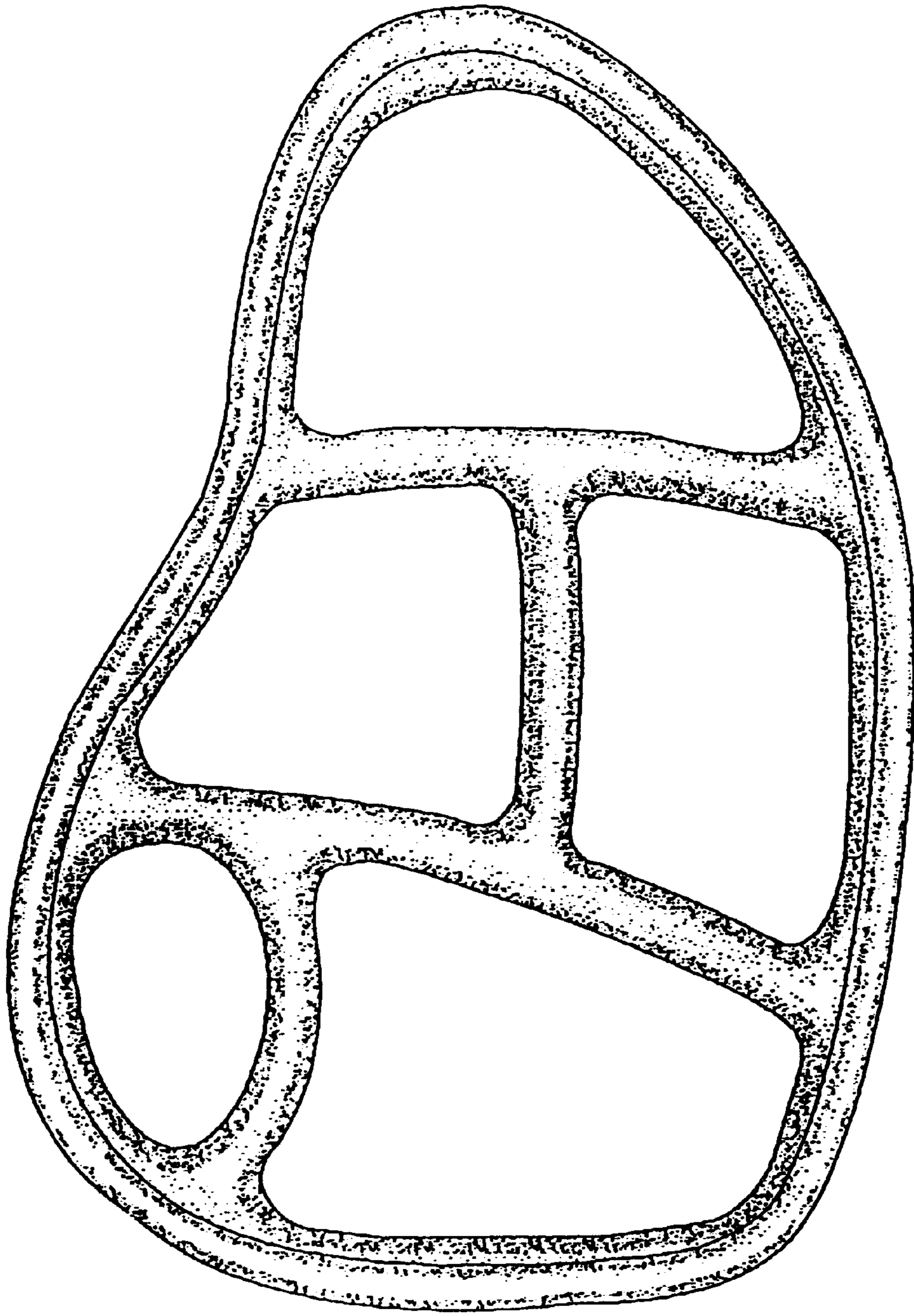


Fig. 1

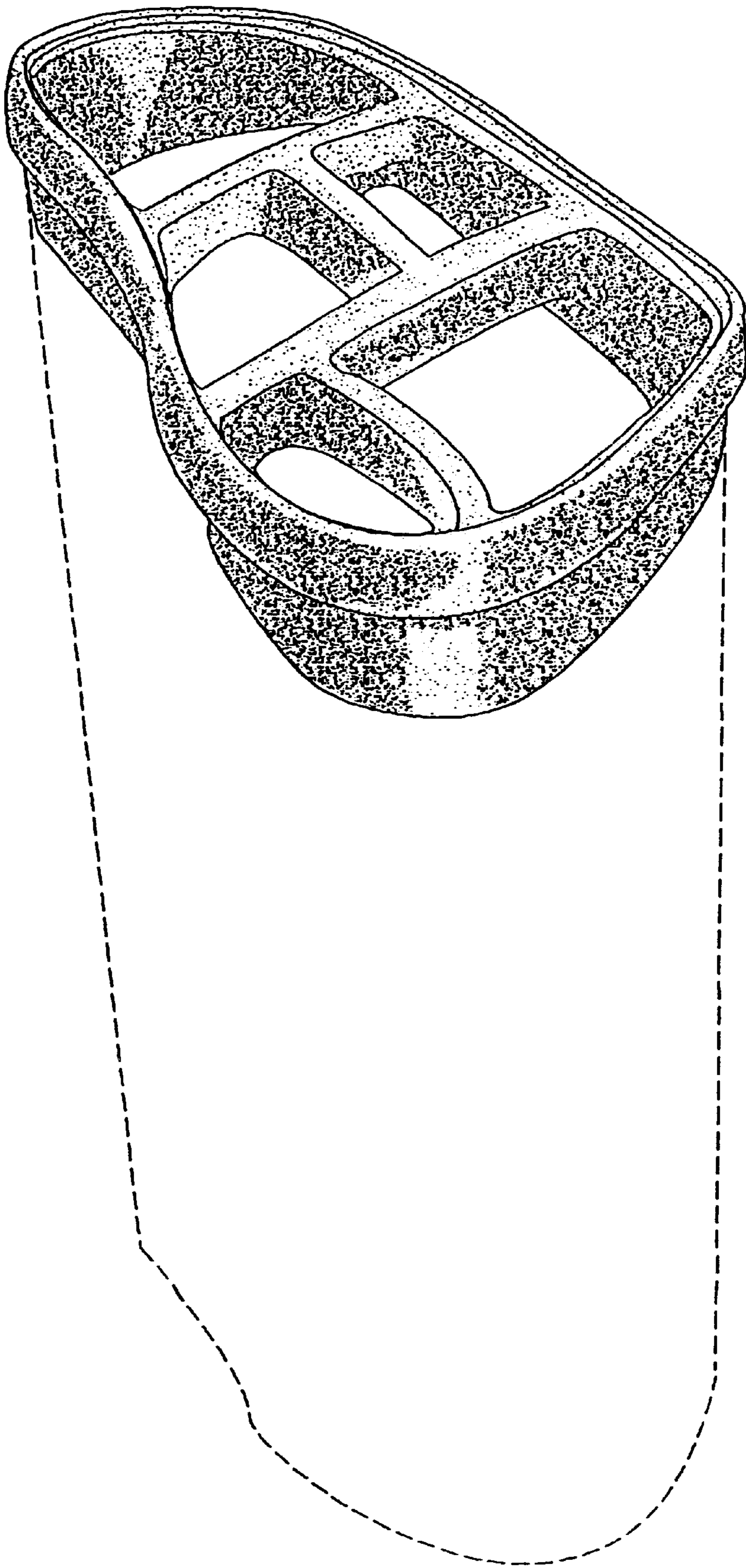


Fig. 2

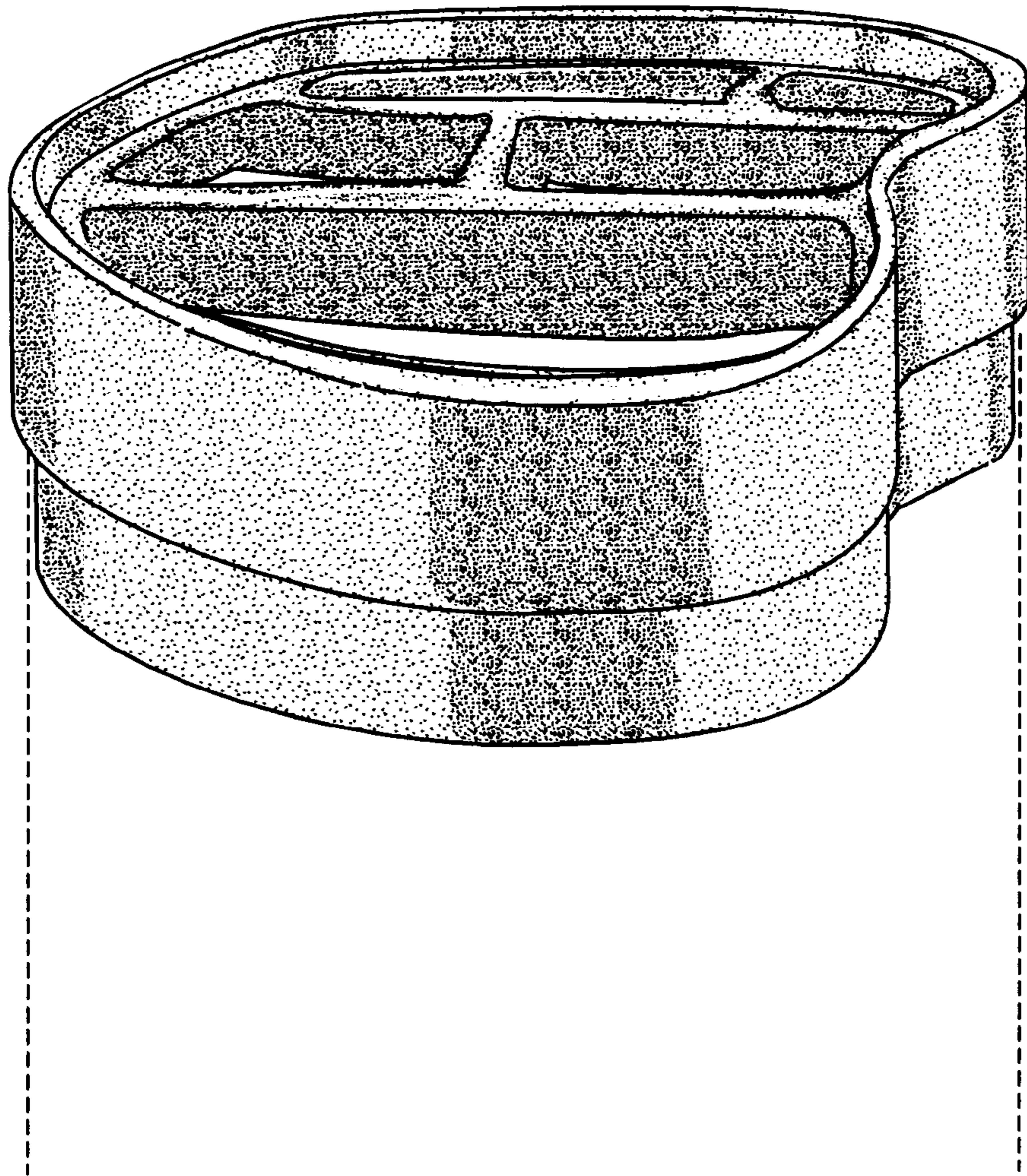


Fig. 3

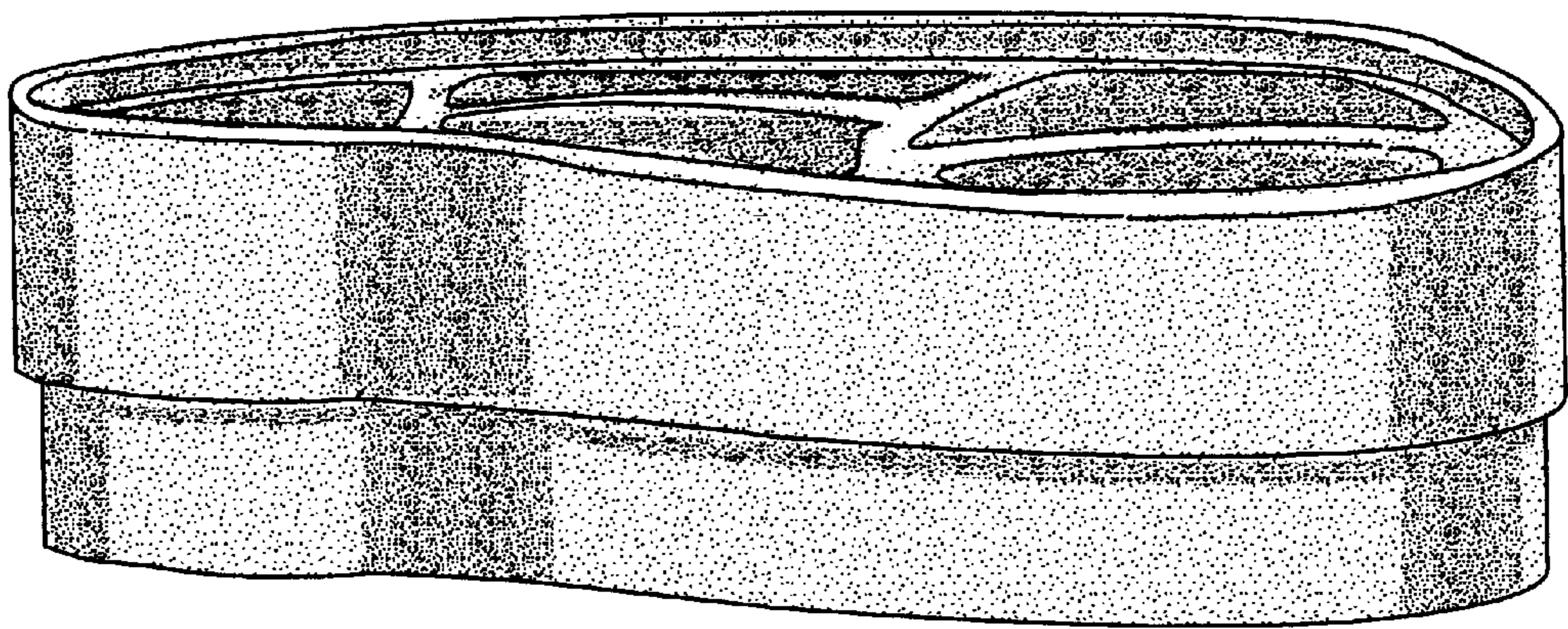


Fig. 4

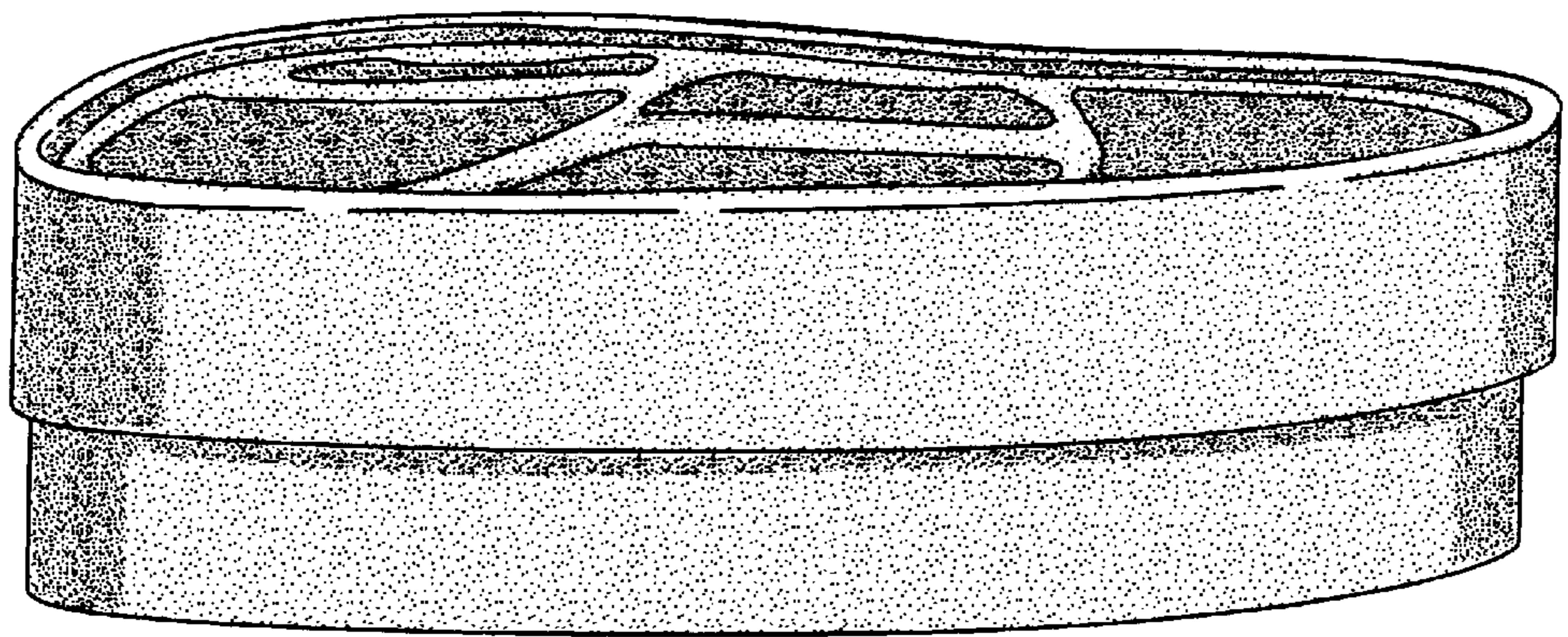


Fig. 5