



US00D422787S

United States Patent [19] Feng

[11] **Patent Number: Des. 422,787**

[45] **Date of Patent: ** Apr. 18, 2000**

[54] **TOOL BOX**

[76] **Inventor: Po Yao Feng**, P.O. Box 63-99,
Taichung, Taiwan, 406

[**] **Term: 14 Years**

[21] **Appl. No.: 29/102,644**

[22] **Filed: Mar. 29, 1999**

[51] **LOC (6) Cl. 03-01**

[52] **U.S. Cl. D3/273; D3/294; D3/905**

[58] **Field of Search D3/272, 273, 294,
D3/905; D9/423, 424, 425; 206/349, 372,
373, 379, 376**

[56] **References Cited**

U.S. PATENT DOCUMENTS

D. 334,534	4/1993	Friz et al.	D3/905
D. 367,557	3/1996	Chang	D3/905
D. 374,988	10/1996	Hillinger	D3/905
D. 382,115	8/1997	Chang	D3/905

D. 394,952	6/1998	Wei	D3/905
4,402,423	9/1983	Skowronski et al.	220/345
4,449,629	5/1984	Barrieau	206/373
5,775,499	7/1998	Burdet	306/279
5,918,741	7/1999	Vasudeva	206/376

Primary Examiner—Philip S. Hyder

[57] **CLAIM**

The ornamental design for a tool box, as shown and described.

DESCRIPTION

FIG. 1 is a perspective view of a tool box showing my new design;

FIG. 2 is a front elevational view thereof;

FIG. 3 is a rear elevational view thereof;

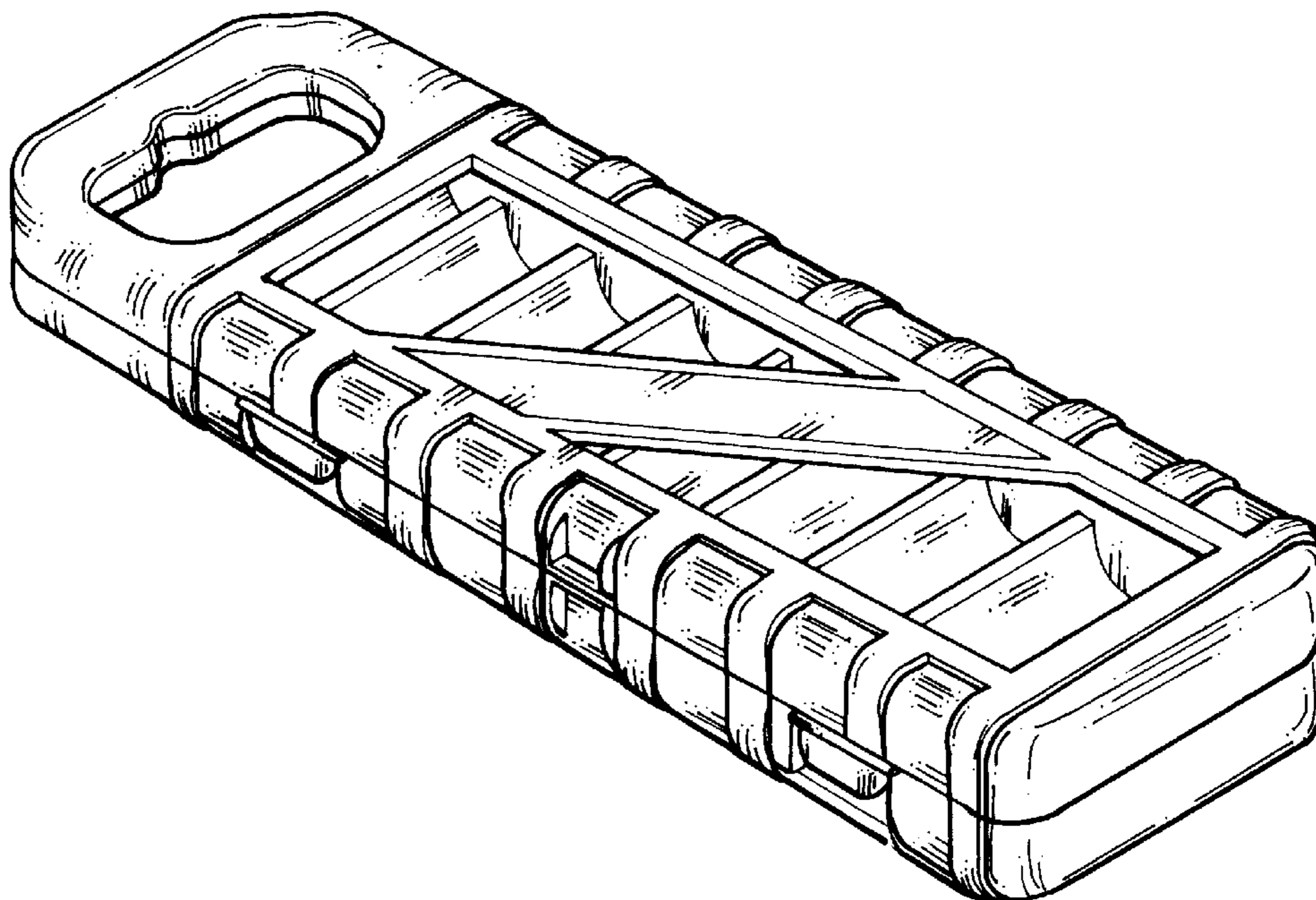
FIG. 4 is a top plan view thereof;

FIG. 5 is a bottom plan view thereof;

FIG. 6 is a left side elevational view thereof; and,

FIG. 7 is a right side elevational view thereof.

1 Claim, 3 Drawing Sheets



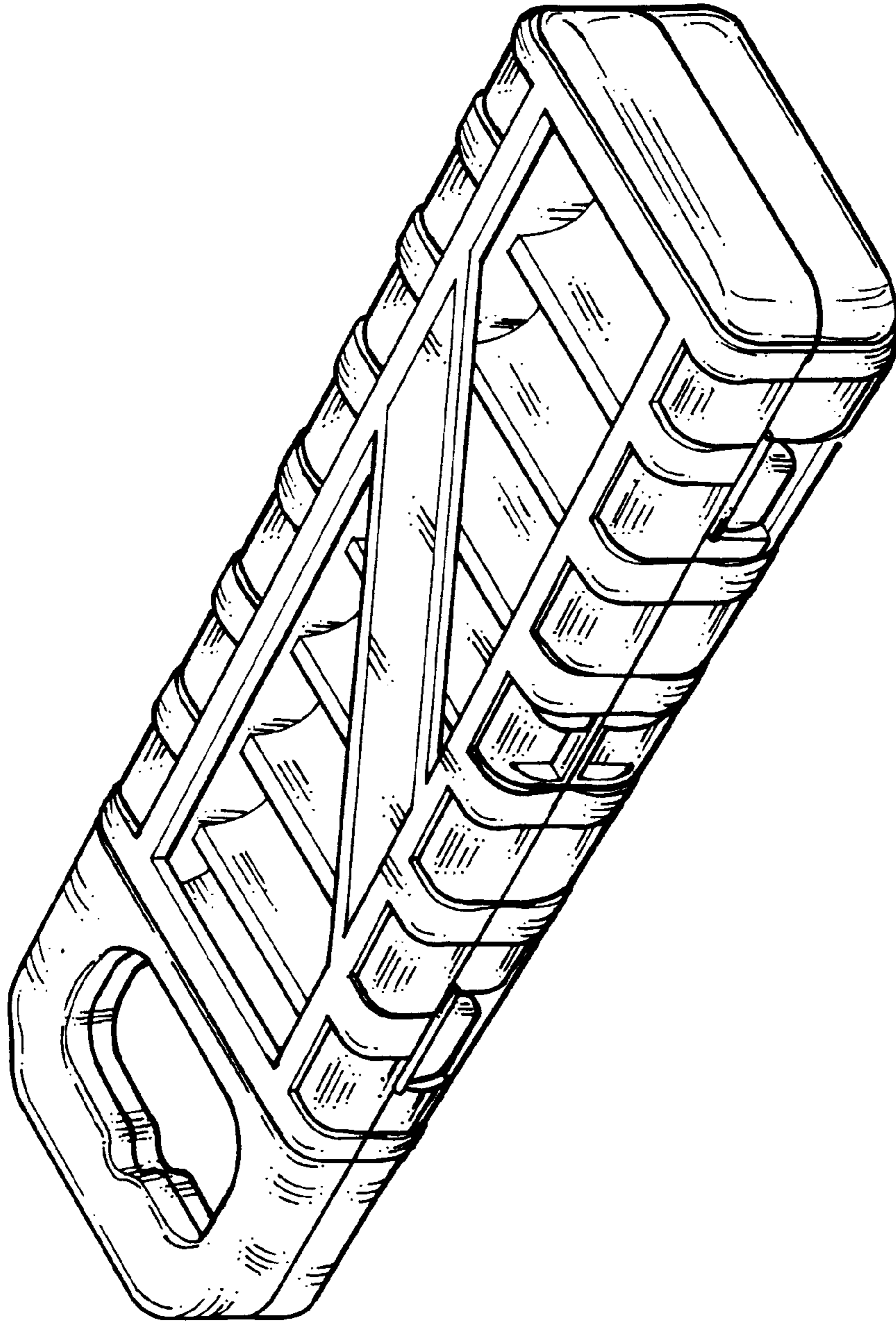


FIG. 1

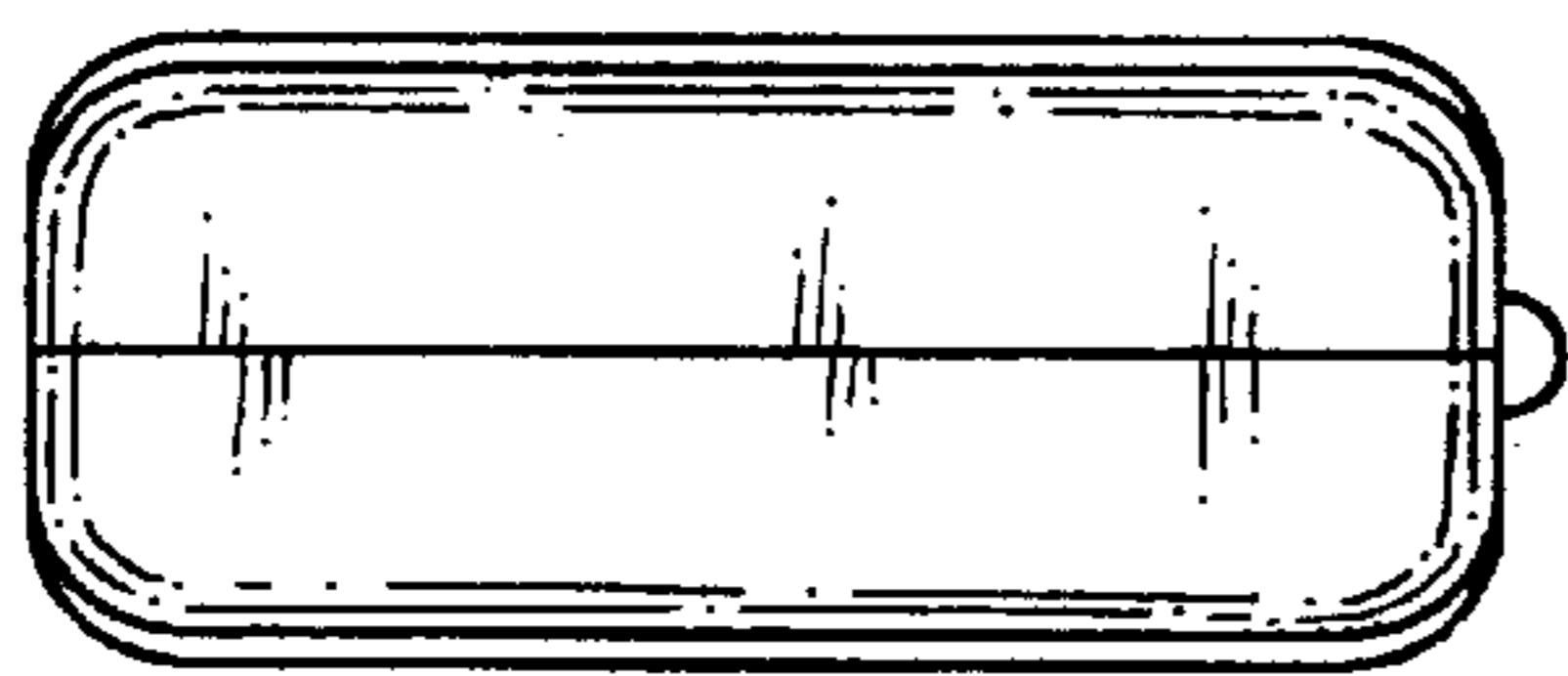


FIG. 6

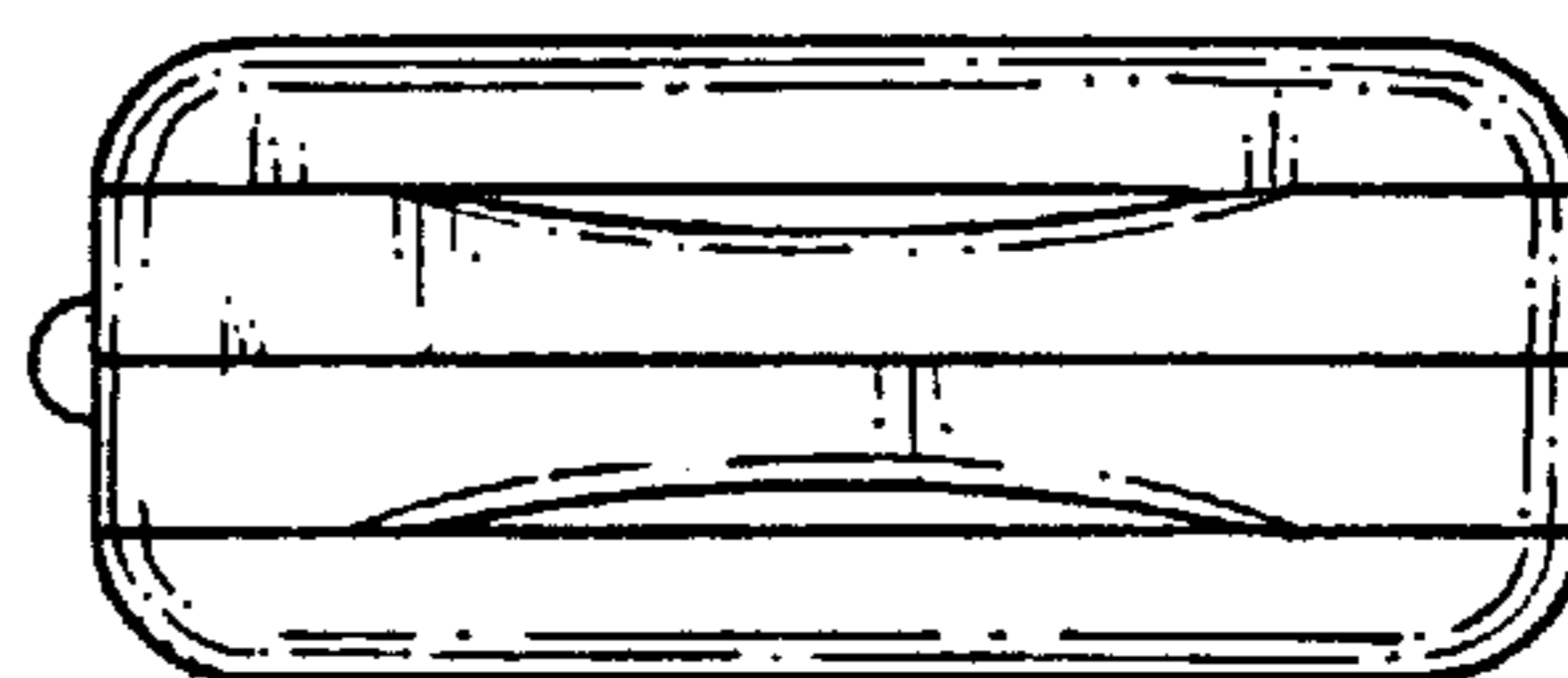


FIG. 7

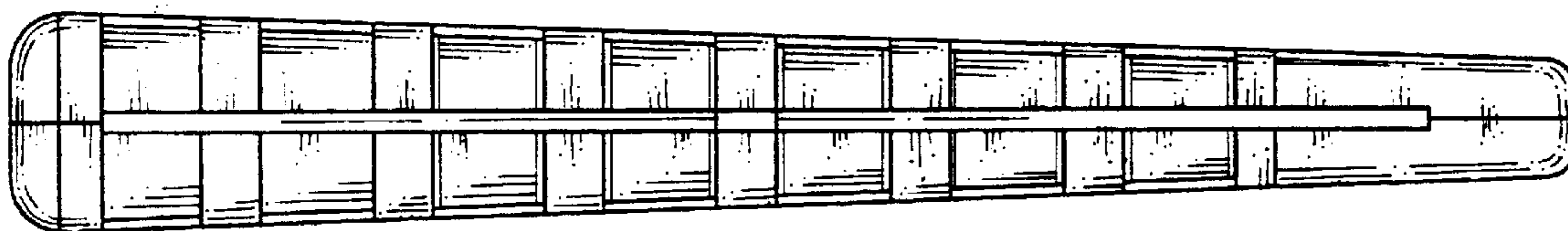


FIG. 3

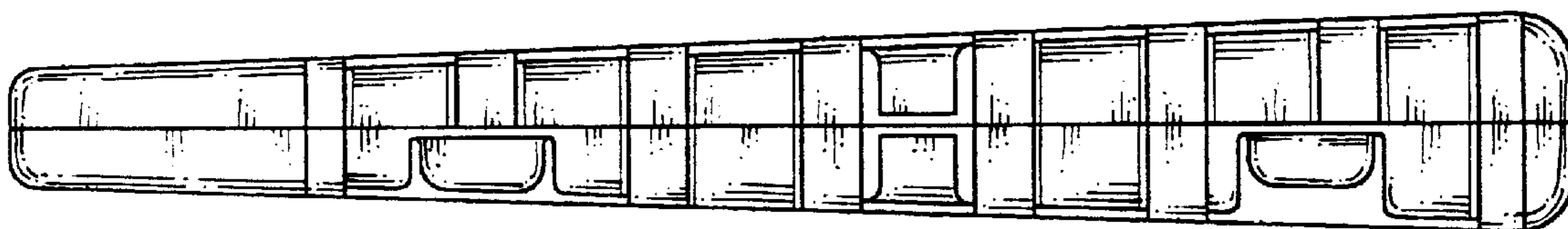


FIG. 2

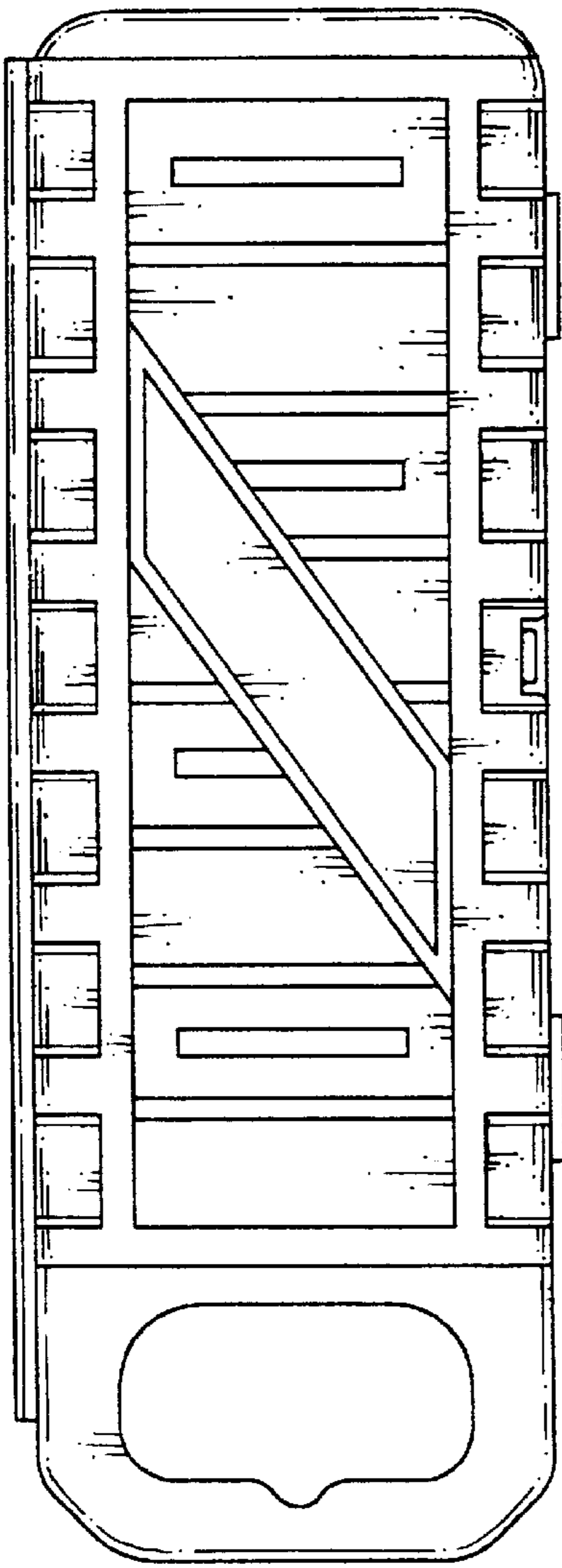


FIG. 4

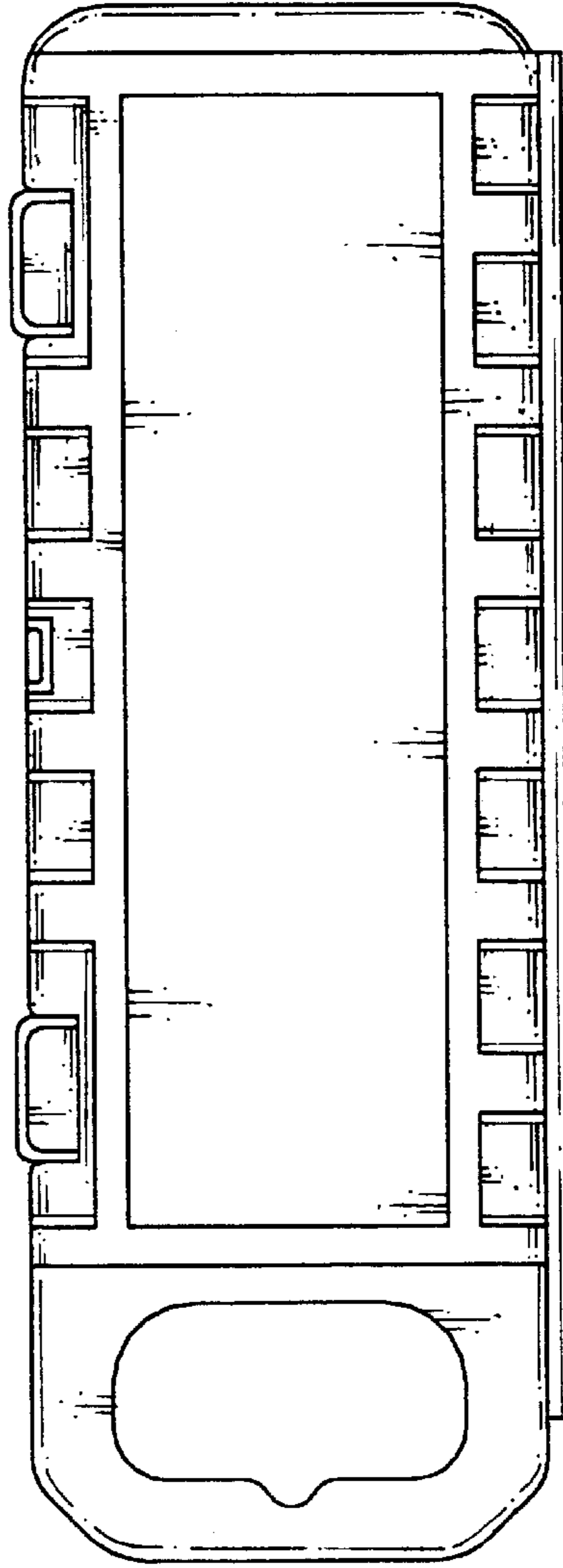


FIG. 5