



US00D422786S

# United States Patent [19] Wu

[11] Patent Number: **Des. 422,786**

[45] Date of Patent: **\*\* Apr. 18, 2000**

[54] **JEWELRY BOX**

[76] Inventor: **Robert Wu**, No. 16, Yu 6 Road,  
Yu-Shih Industrial Park, Tachia,  
Taichung Hsien, Taiwan

[\*\*] Term: **14 Years**

[21] Appl. No.: **29/101,636**

[22] Filed: **Mar. 8, 1999**

[51] **LOC (6) Cl.** ..... **03-01**

[52] **U.S. Cl.** ..... **D3/271; D3/273; D3/294;**  
D3/903

[58] **Field of Search** ..... D3/273, 272, 269,  
D3/270, 294, 903; 206/457, 6.1

[56] **References Cited**

**U.S. PATENT DOCUMENTS**

D. 44,777	10/1913	Weidlich	.....	D3/903
D. 49,514	8/1916	Hadley et al.	.....	D3/903
D. 63,850	1/1924	Heller	.....	D3/903
D. 65,341	7/1924	Karpeles	.....	D3/903

D. 203,887	2/1966	Braun	.....	D3/903
D. 217,542	5/1970	Wernick et al.	.....	D3/903
D. 217,852	6/1970	Wernick et al.	.....	D3/903

*Primary Examiner*—Philip S. Hyder  
*Attorney, Agent, or Firm*—Alan Kamrath; Oppenheimer,  
Wolfe & Donnelly, LLP

[57] **CLAIM**

The ornamental design for jewelry box, as shown and described.

**DESCRIPTION**

FIG. 1 is a perspective view of a jewelry box showing my new design;

FIG. 2 is a front elevational view thereof;

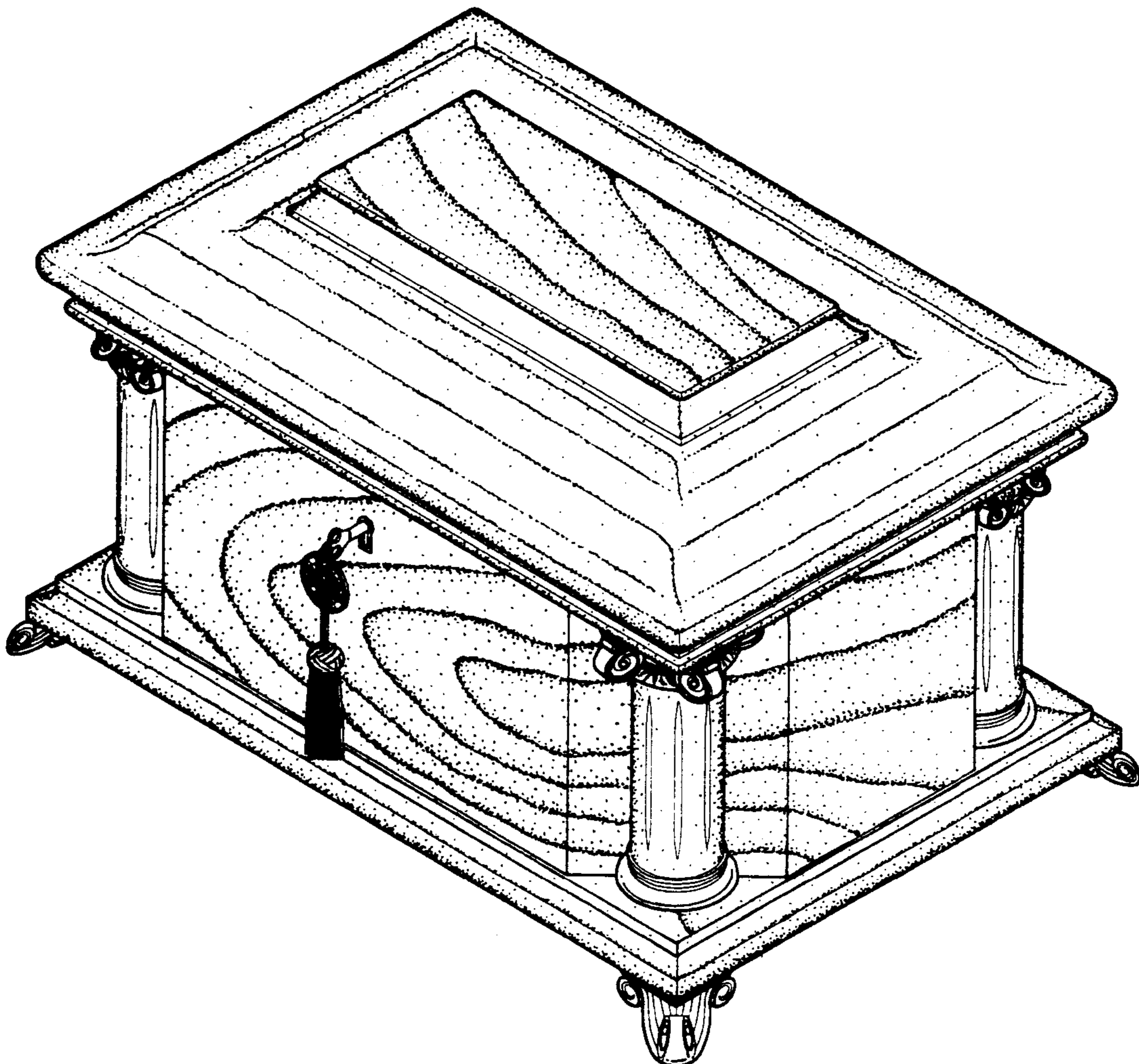
FIG. 3 is a rear elevational view thereof;

FIG. 4 is a left elevational view thereof; the opposite side being a mirror image of the shown;

FIG. 5 is a top plan view thereof; and,

FIG. 6 is bottom plan view thereof.

**1 Claim, 3 Drawing Sheets**



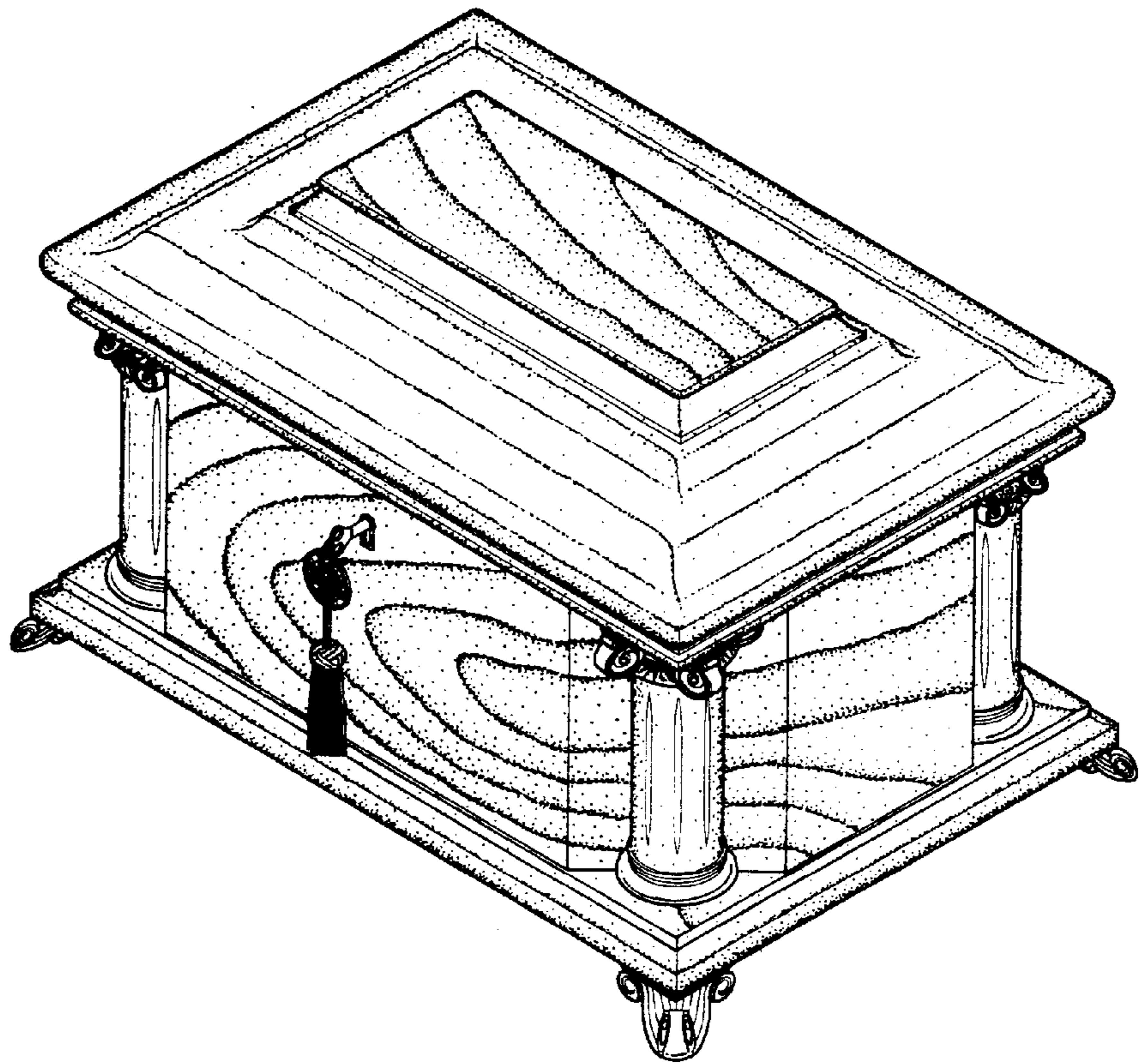


Fig. 1

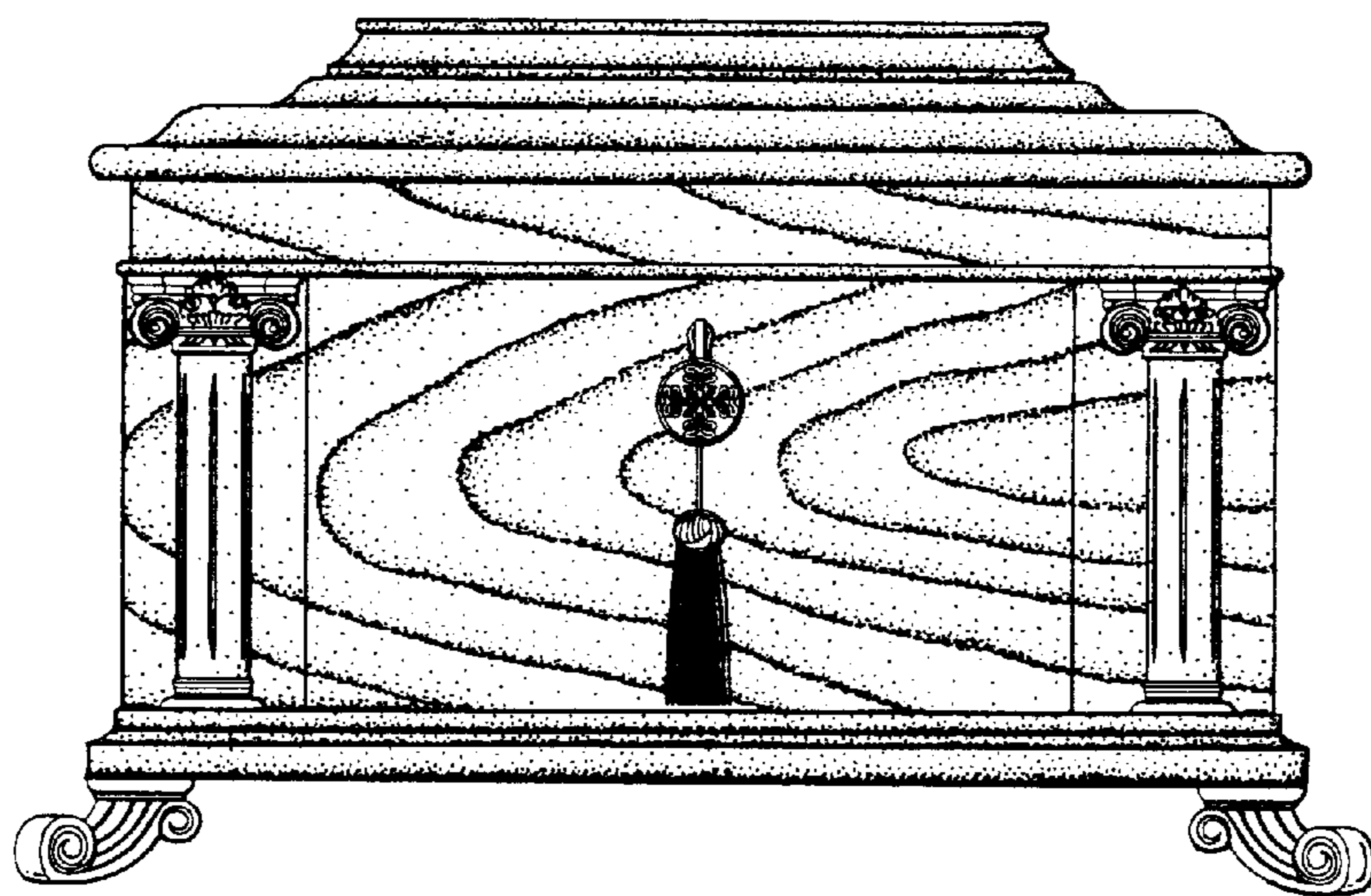


Fig. 2

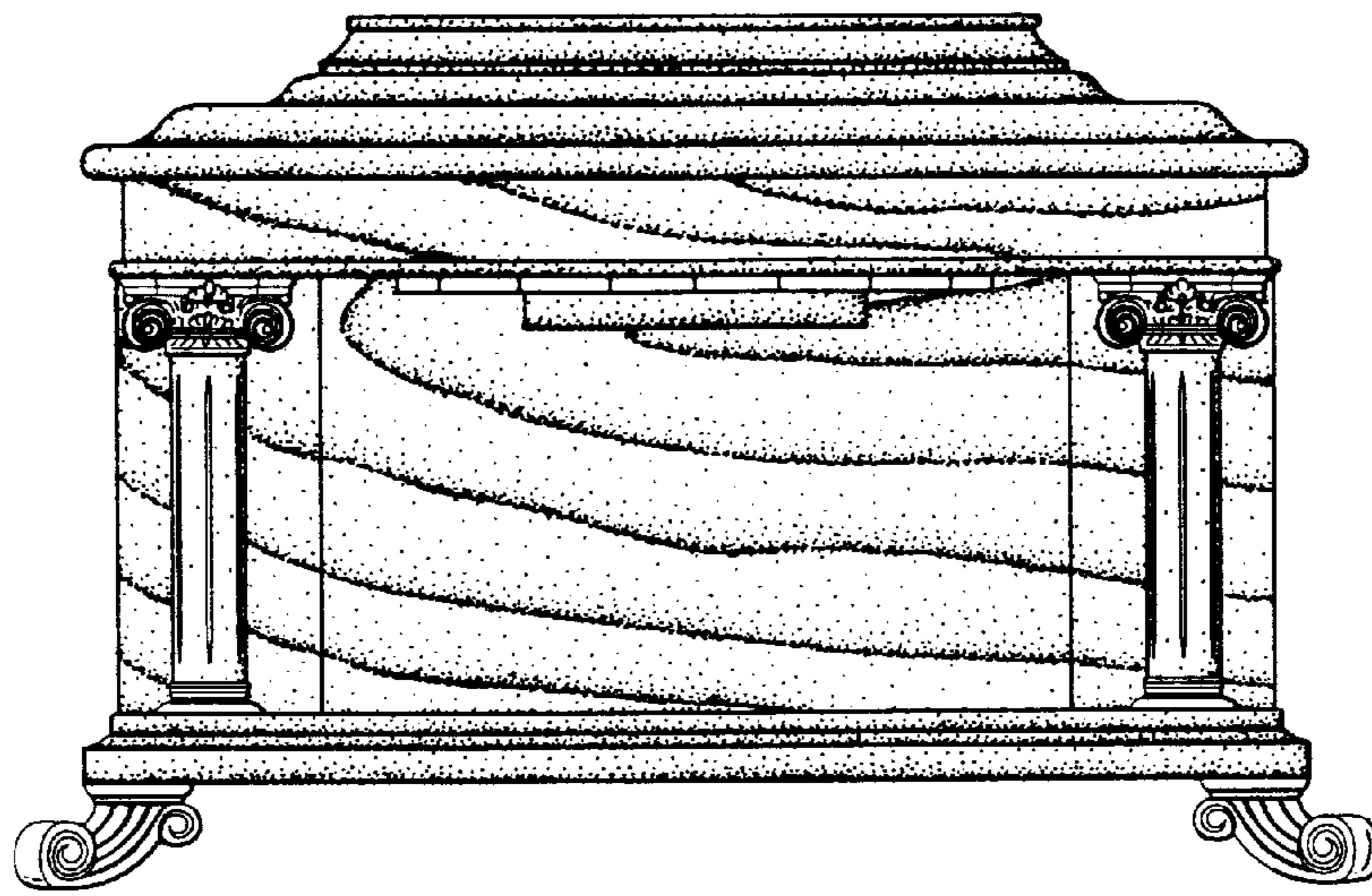


Fig. 3

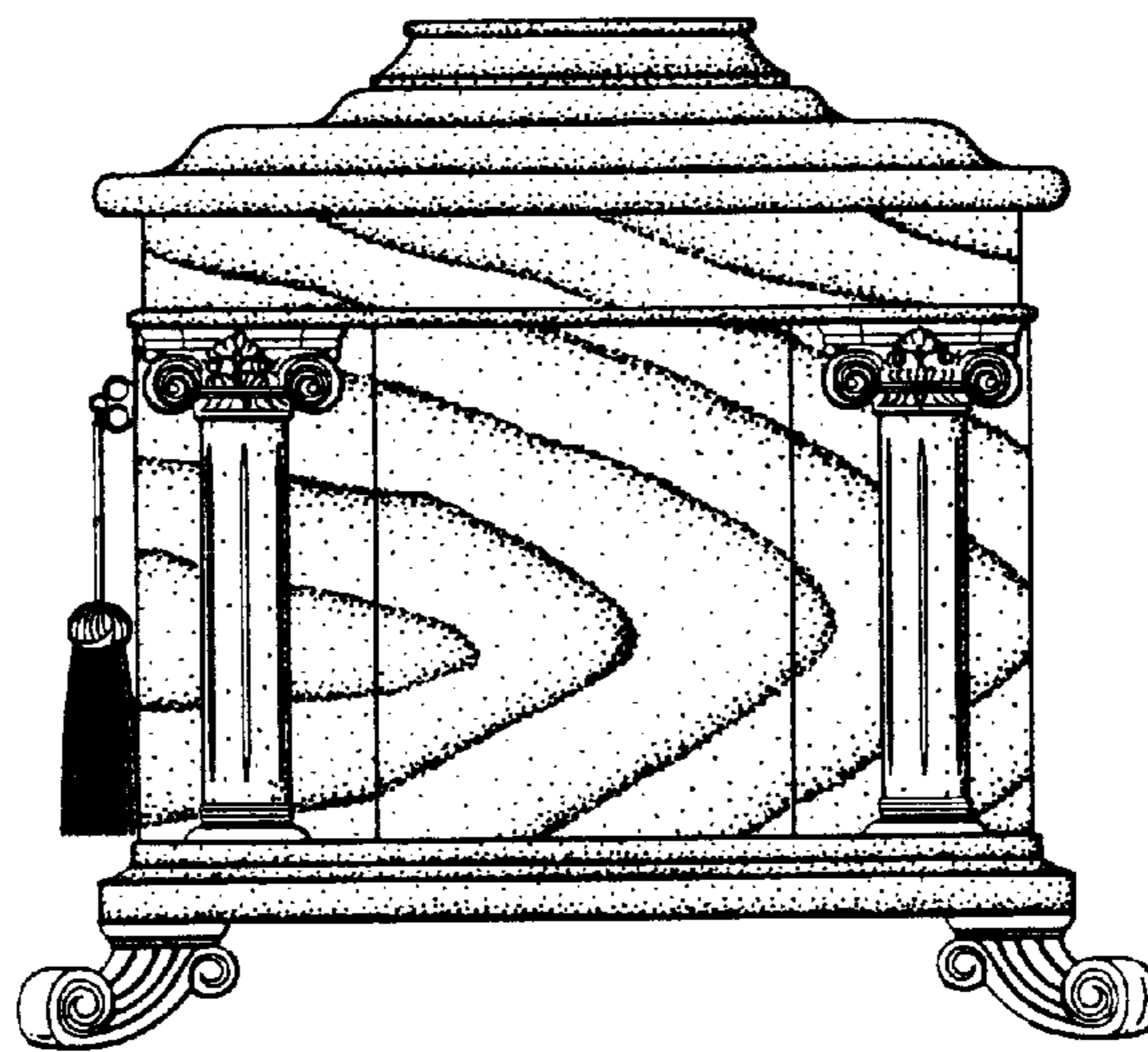


Fig. 4

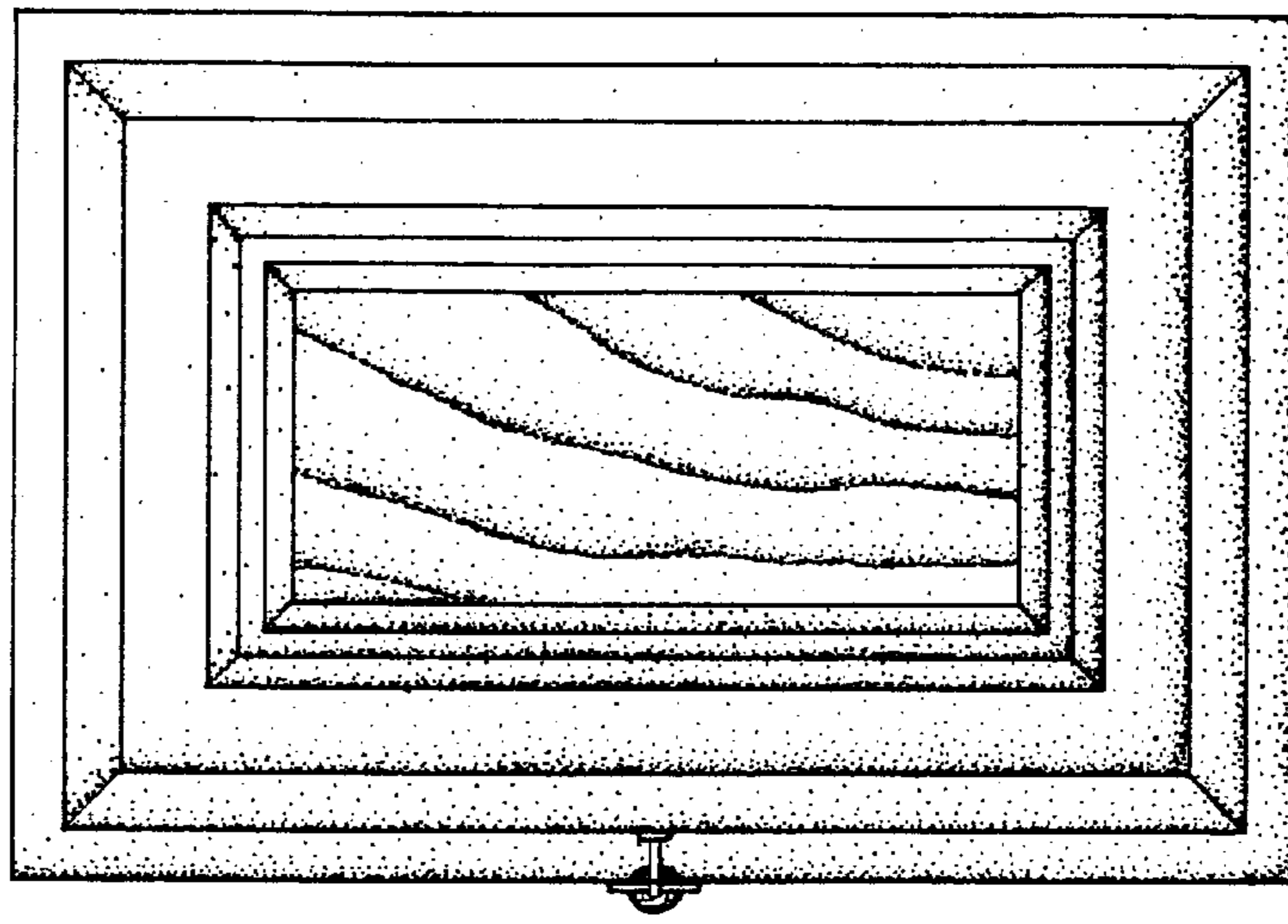


Fig. 5

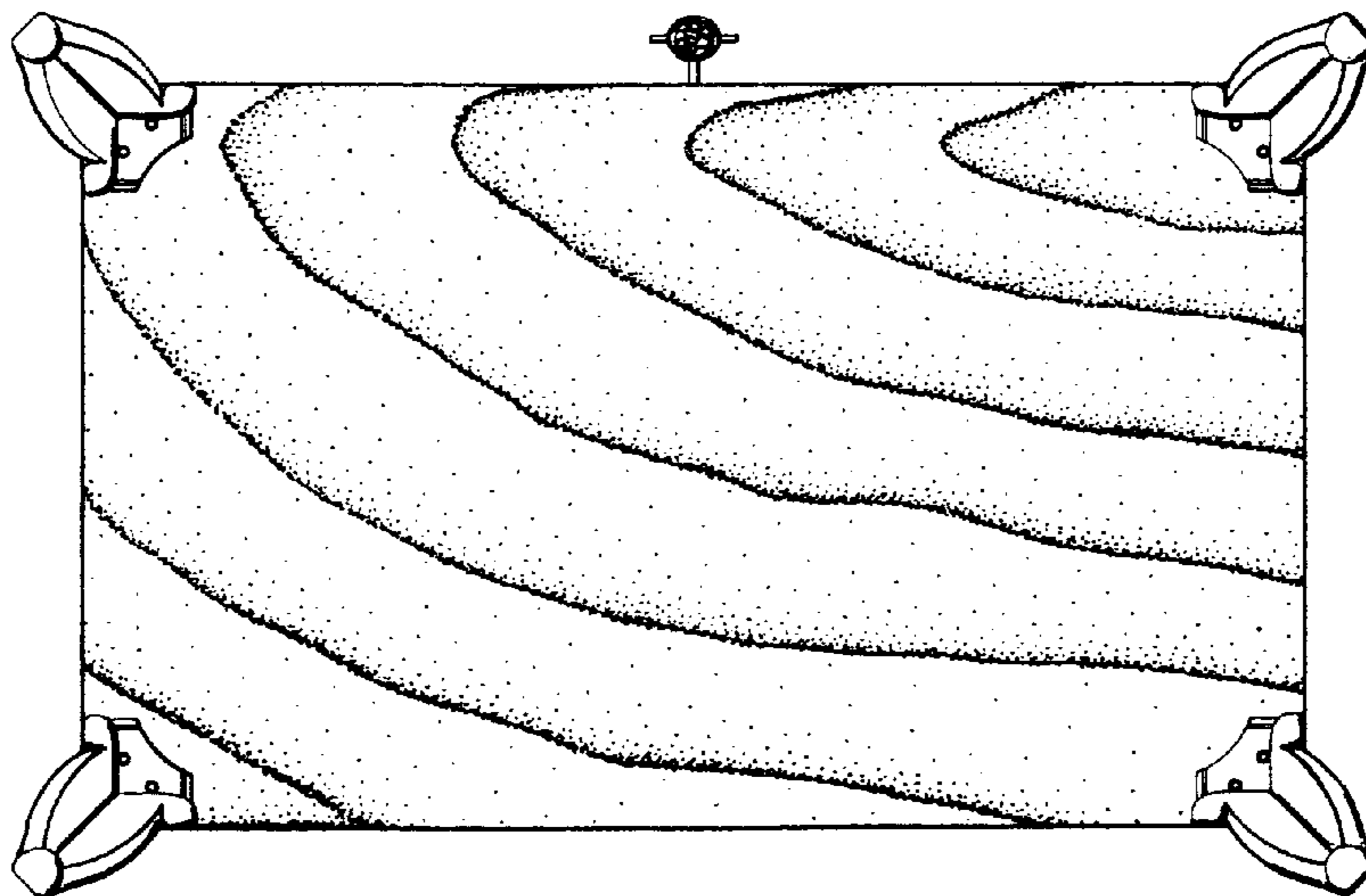


Fig. 6