



US00D422780S

United States Patent [19]

Aguerre

[11] **Patent Number: Des. 422,780**

[45] **Date of Patent: ** Apr. 18, 2000**

[54] **SANDAL**

[75] **Inventor: Santiago J. Aguerre, La Jolla, Calif.**

[73] **Assignee: South Cone, Inc., San Diego, Calif.**

[**] **Term: 14 Years**

[21] **Appl. No.: 29/103,900**

[22] **Filed: Apr. 22, 1999**

[51] **LOC (6) Cl. 02-04**

[52] **U.S. Cl. D2/916; D2/918; D2/919;
D2/922; D2/951; D2/953; D2/954; D2/955;
D2/956; D2/959**

[58] **Field of Search D2/969, 970, 971,
D2/946-960, 896, 902, 903, 906-910, 913,
916-929; 36/83, 101, 102, 113-116, 126-131,
134, 3 A, 7.1 R, 7.7, 7.5, 7.6, 8.1-8.4,
11, 11.5, 9 R, 10, 45, 50.1**

[56] **References Cited**

U.S. PATENT DOCUMENTS

D. 296,608 7/1988 Maciel D2/916
D. 350,021 8/1994 Stein D2/969

D. 368,798 4/1996 Tong D2/969
D. 377,860 2/1997 Renault D2/969
D. 379,866 6/1997 Jenkins D2/969
D. 412,050 7/1999 Chassaing D2/953
3,407,517 10/1968 Gessner 36/11.5
3,841,003 10/1974 Huyge 36/11.5
5,651,195 7/1997 Clancy 36/11.5

Primary Examiner—Louis S. Zarfaz
Assistant Examiner—G Andoll
Attorney, Agent, or Firm—Lewis, D’Amato, Brisbois & Bisgaard LLP

[57] **CLAIM**

The ornamental design for a sandal, as shown and described.

DESCRIPTION

FIG. 1 is a perspective view of a sandal showing my new design;
FIG. 2 is a front elevation thereof;
FIG. 3 is a rear elevation thereof;
FIG. 4 is a left side elevation thereof;
FIG. 5 is a right side elevation thereof;
FIG. 6 is a top planar view thereof; and
FIG. 7 is a bottom planar view thereof.

1 Claim, 3 Drawing Sheets

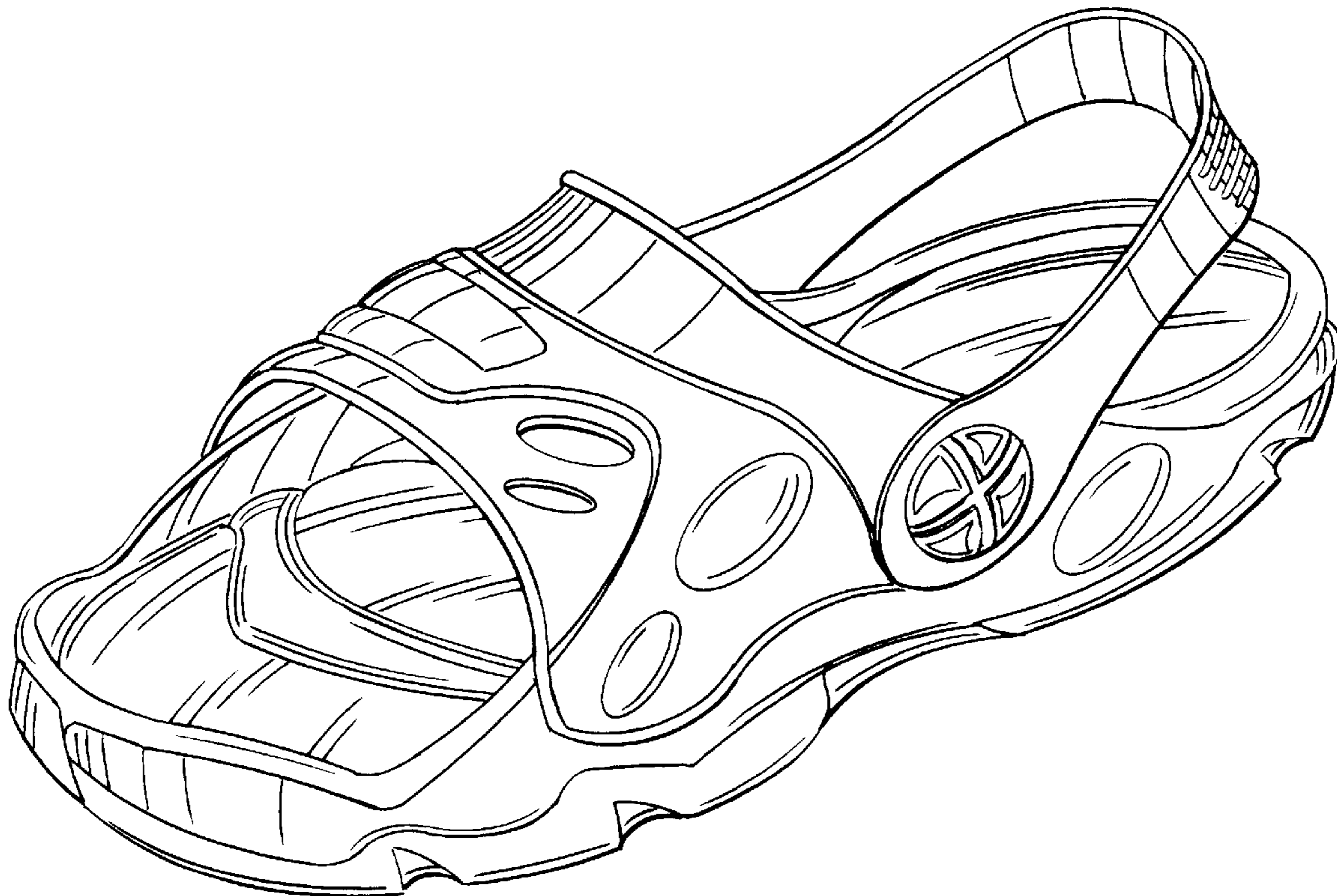


FIG. 1

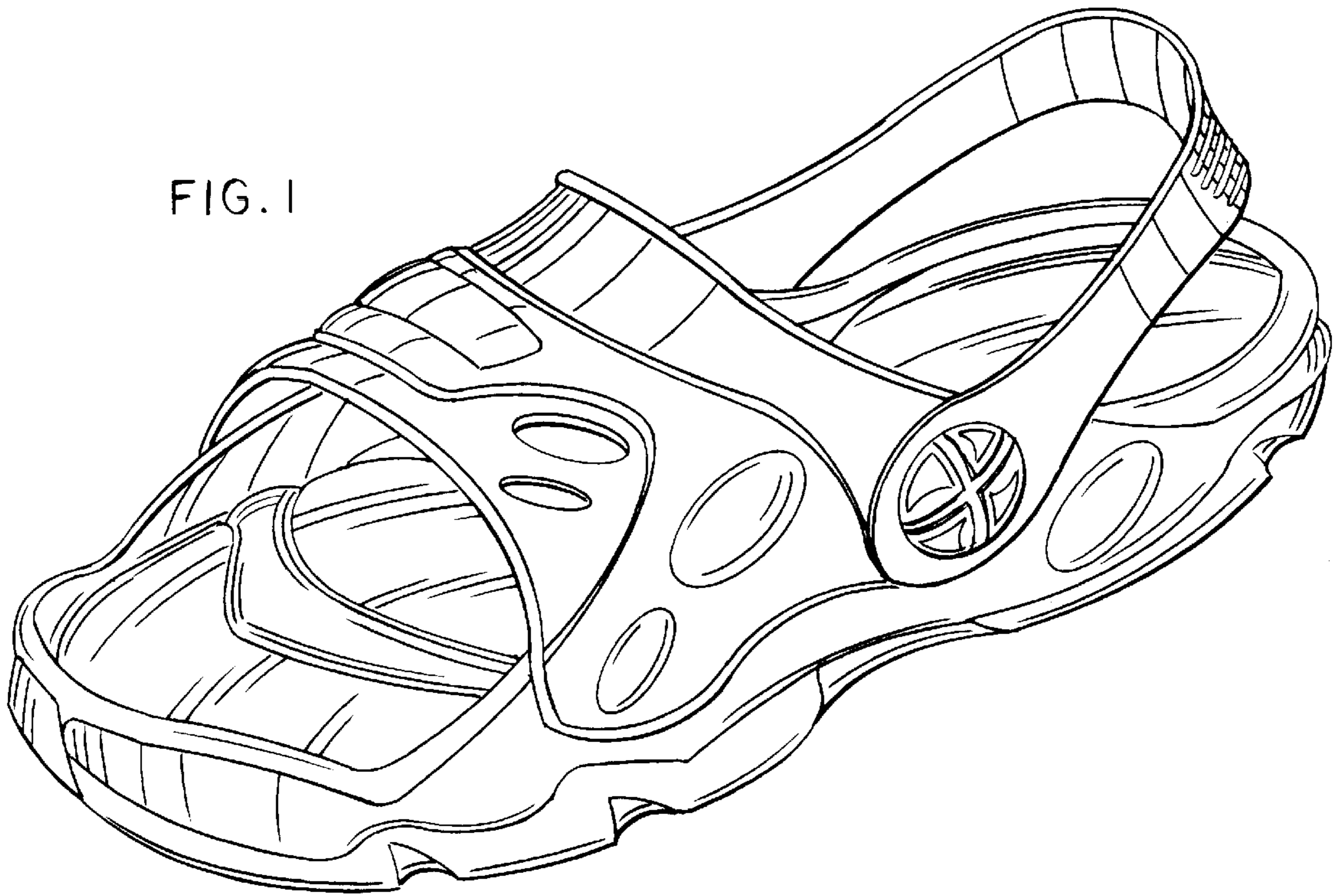


FIG. 2

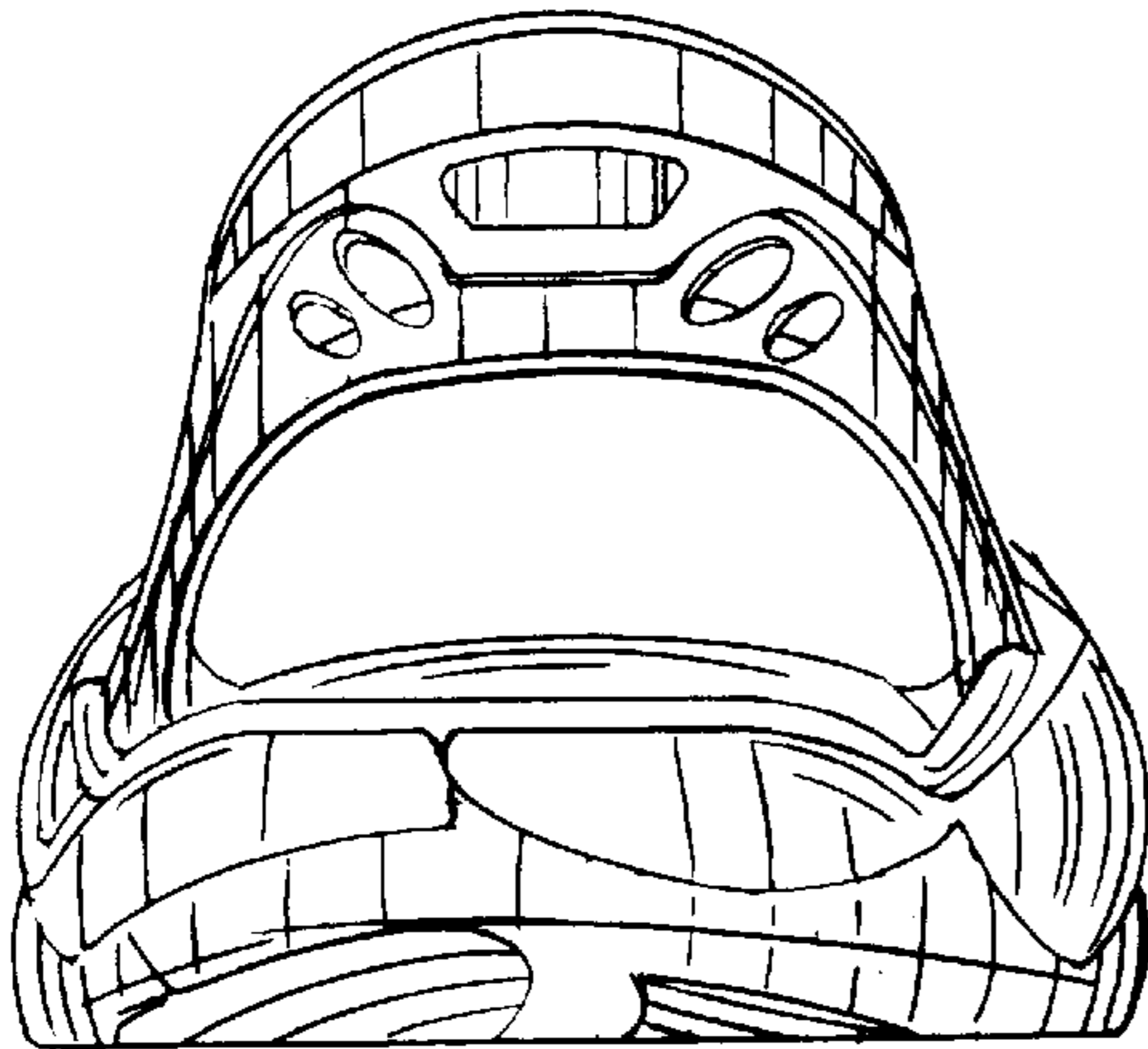


FIG. 3

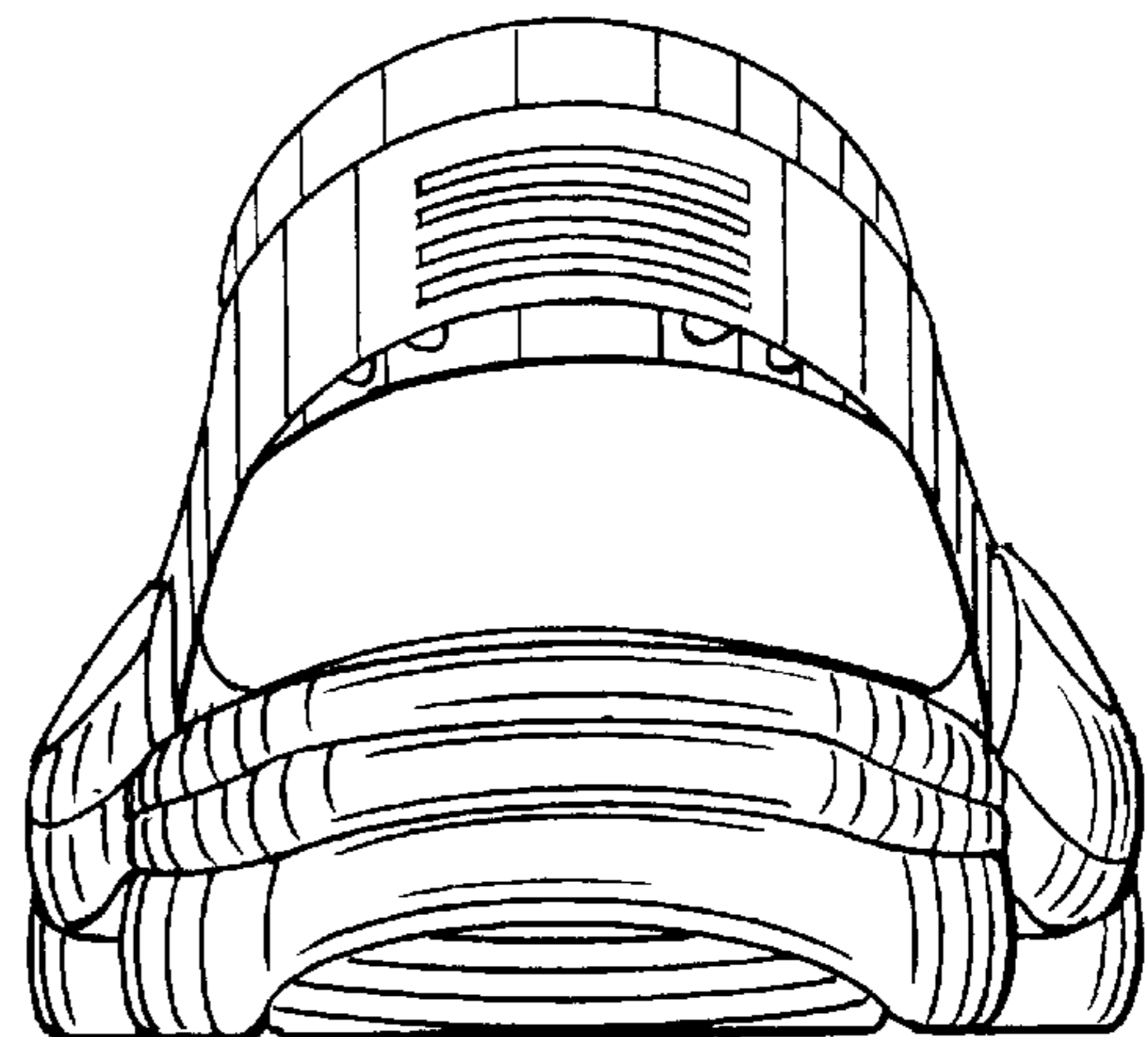


FIG. 4

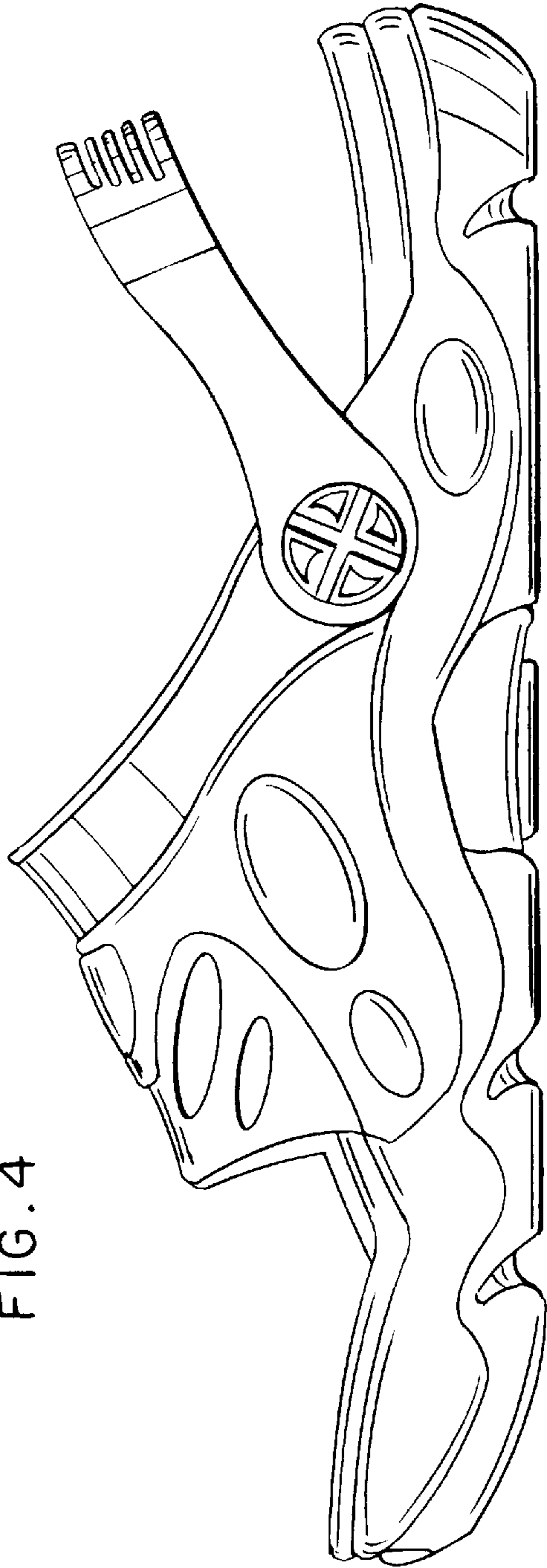


FIG. 5



FIG. 6

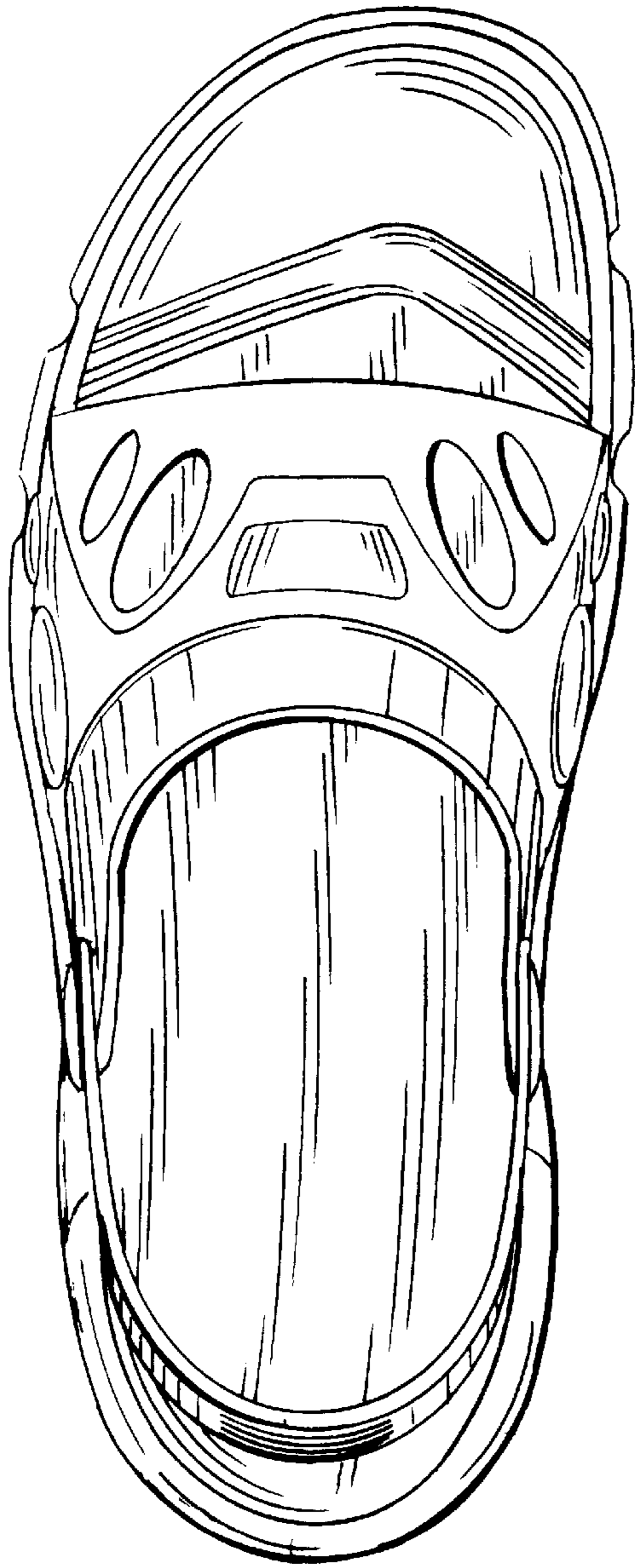


FIG. 7

