



US00D422772S

United States Patent [19] Klein

[11] Patent Number: Des. 422,772

[45] Date of Patent: ** Apr. 11, 2000

[54] MAILBOX

[76] Inventor: Theodore K. Klein, 12310 Austin, Palos Heights, Ill. 60463

[**] Term: 14 Years

[21] Appl. No.: 29/103,640

[22] Filed: Apr. 16, 1999

[51] LOC (6) Cl. 99-00

[52] U.S. Cl. D99/30

[58] Field of Search D99/29, 30; 232/17, 232/19, 20, 21, 22, 27; D25/233, 56; 52/518, 233; 446/106

[56] References Cited

U.S. PATENT DOCUMENTS

D. 158,292	4/1950	Keeler	D99/30
D. 166,749	5/1952	Heinz	D99/30
D. 256,287	8/1980	McConnell	D99/30
D. 291,937	9/1987	Fisher	D99/30
D. 296,602	7/1988	Klein	.	
D. 354,611	1/1995	Hazlett	D99/30
5,035,356	7/1991	Granger	232/17
5,143,284	9/1992	Socarras	232/21

OTHER PUBLICATIONS

Smithsonian, top mailbox, Shingle Roof p.189, Nov. 1989.
 Home, Feb. 1996, middle right, Copper Top p. 22, Feb. 1996.
 Klein, Theodore K., AH 3 Plain Sides, Flat Roof, 1986, U.S.A.
 Klein, Theodore K., AH 5 Lattice Sides, Flat Roof, 1986, U.S.A.
 Klein, Theodore K., AH 12 Plain Sides, Shingled Roof, 1986, U.S.A.
 Klein, Theodore K., AH 14 Log Sides, Shingled Roof, 1986, U.S.A.
 Klein, Theodore K., AH 15 Tlll Sides, Shingled Roof, 1986, U.S.A.
 Klein, Theodore K., AH 25 Shingled & Side Door For Paper, 1986, U.S.A.
 Klein, Theodore K., AH 12K Plain Sides, Kurfed Roof, 1986, U.S.A.
 Klein, Theodore K., AH 14K Log Sides, Kurfed Roof, 1986, U.S.A.
 Klein, Theodore K., AH 15K TKlll Sides, Kurfed Roof, 1986, U.S.A.

Klein, Theodore K., CH 1 Plain Sides, Plain Roof, 1995, U.S.A.
 Klein, Theodore K., CH 2 Plain Sides, Plain Roof, 1995, U.S.A.
 Klein, Theodore K., CH 3 Grooved Sides, Shingled Roof, 1995, U.S.A.
 Klein, Theodore K., CH 4 Log Sides, Shingled Roof, 1995, U.S.A.
 Klein, Theodore K., CH 5 Tlll Sides, Shingled Roof, 1995, U.S.A.
 Klein, Theodore K., CH 2K Plain Sides, Kurfed Roof, 1995, U.S.A.
 Klein, Theodore K., CH 3K Grooves Sides, Kurfed Roof, 1995, U.S.A.
 Klein, Theodore K., CH 4K Log Sides, Kurfed Roof, 1995, U.S.A.
 Klein, Theodore K., CH 5K Tlll Sides, Kurfed Roof, 1995, U.S.A.
 Klein, Theodore K., 4 Grooved Sides, 1984, U.S.A.
 Klein, Theodore K., 3 Grooved Sides, 1984, U.S.A.
 Klein, Theodore K., 2 Grooved Sides, 1984, U.S.A.
 Klein, Theodore K., CM 1 Plain Chimney, 1 Window, 1997, U.S.A.
 Klein, Theodore K., CM 2 Plain Chimney, 2 Windows, 1997, U.S.A.
 Klein, Theodore K., CM 3 Plain Chimney, 3 Windows, 1997, U.S.A.
 Klein, Theodore K., CM 4 Stone Chimney, 4 Windows, 1997, U.S.A.

Primary Examiner—Paula A. Mortimer
Attorney, Agent, or Firm—Wildman, Harrold, Allen & Dixon; Thomas J. Ring

[57] CLAIM

The ornamental design for a mailbox, as shown and described.

DESCRIPTION

FIG. 1 is a perspective view of a mailbox;
 FIG. 2 is a top plan view thereof;
 FIG. 3 is a right side elevational view thereof;
 FIG. 4 is a left side elevational view thereof;
 FIG. 5 is a front elevational view thereof;
 FIG. 6 is a rear elevational view thereof; and,
 FIG. 7 is a bottom plan view thereof.

1 Claim, 2 Drawing Sheets

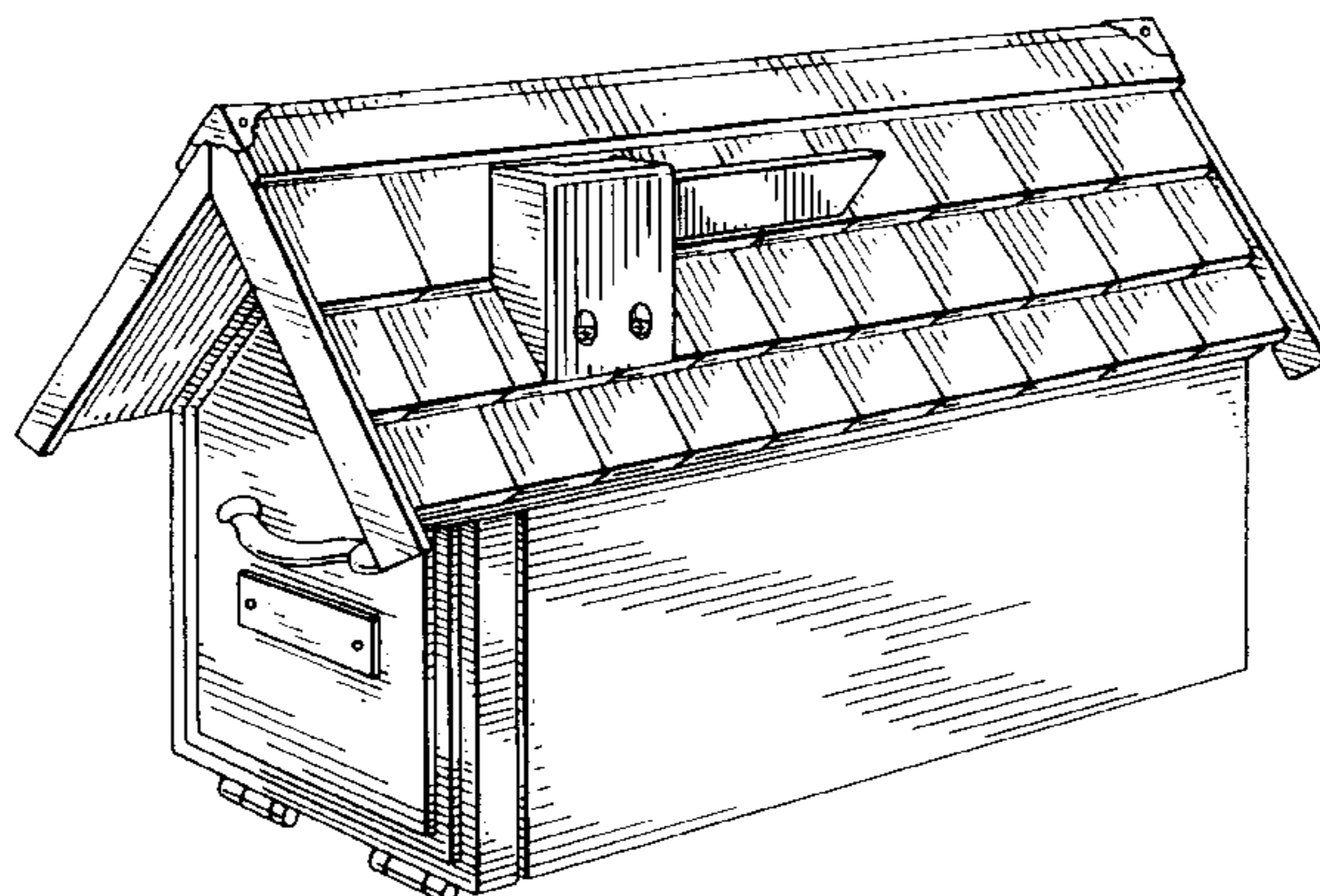


FIG. 1

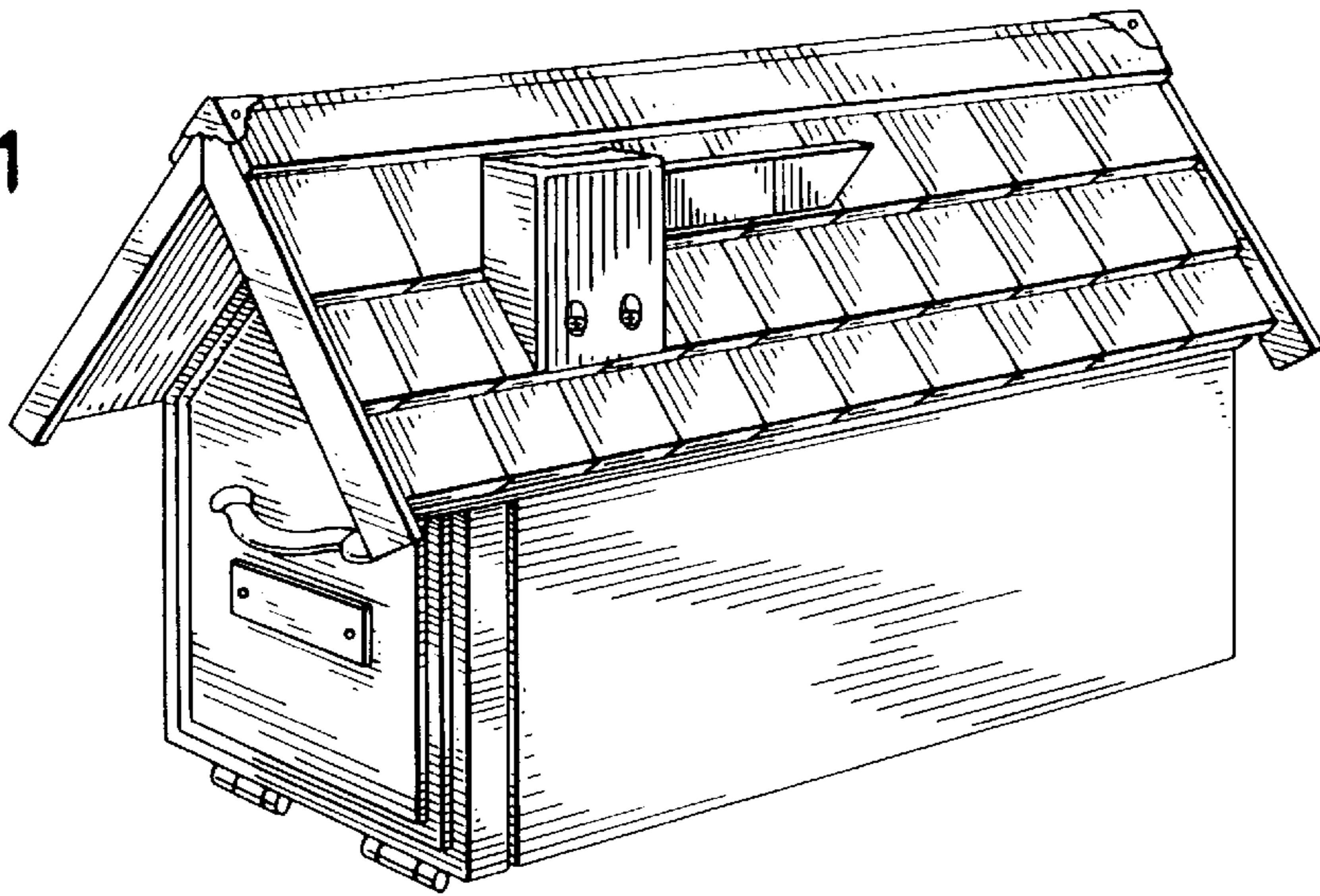


FIG. 2

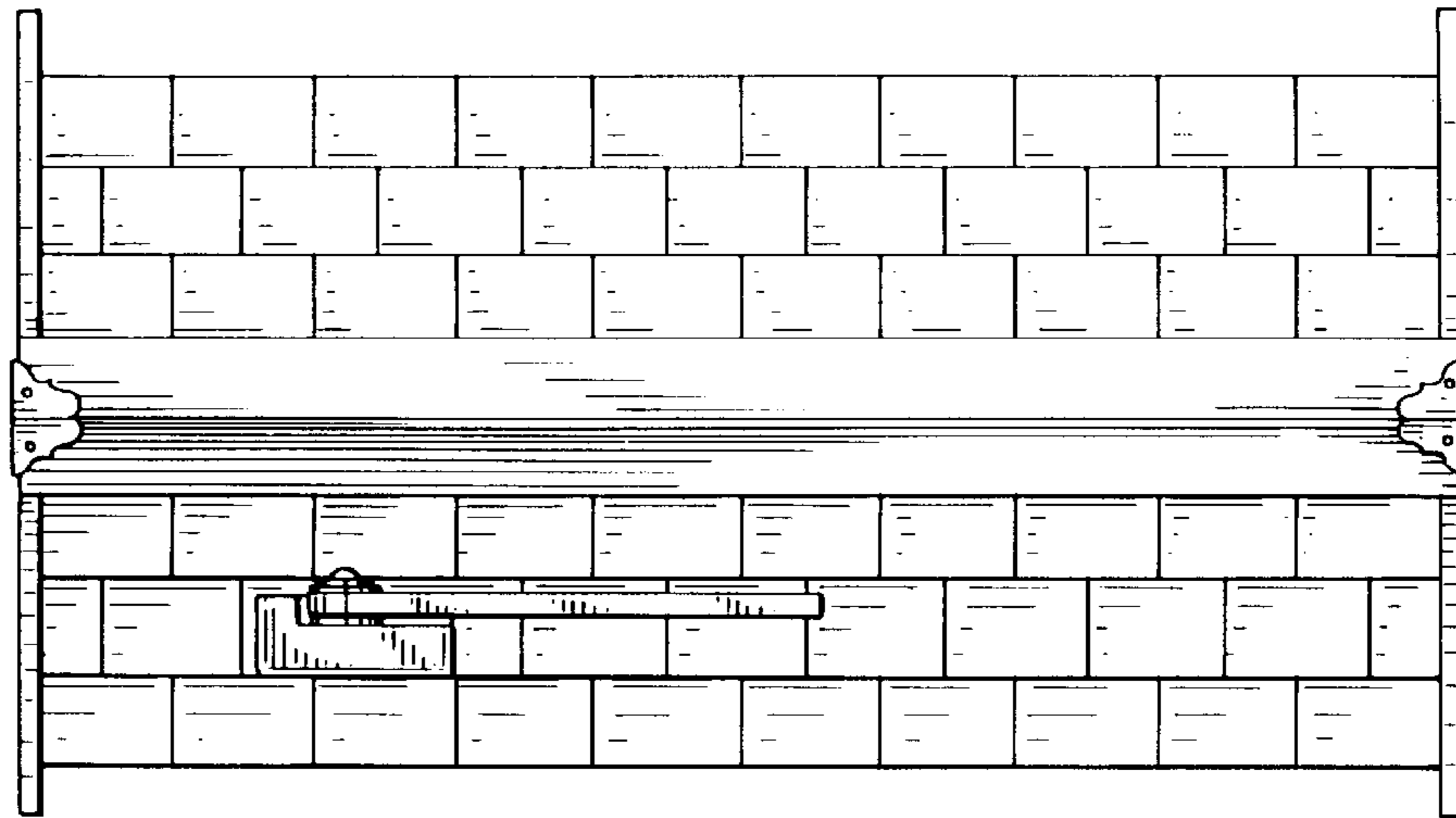


FIG. 3

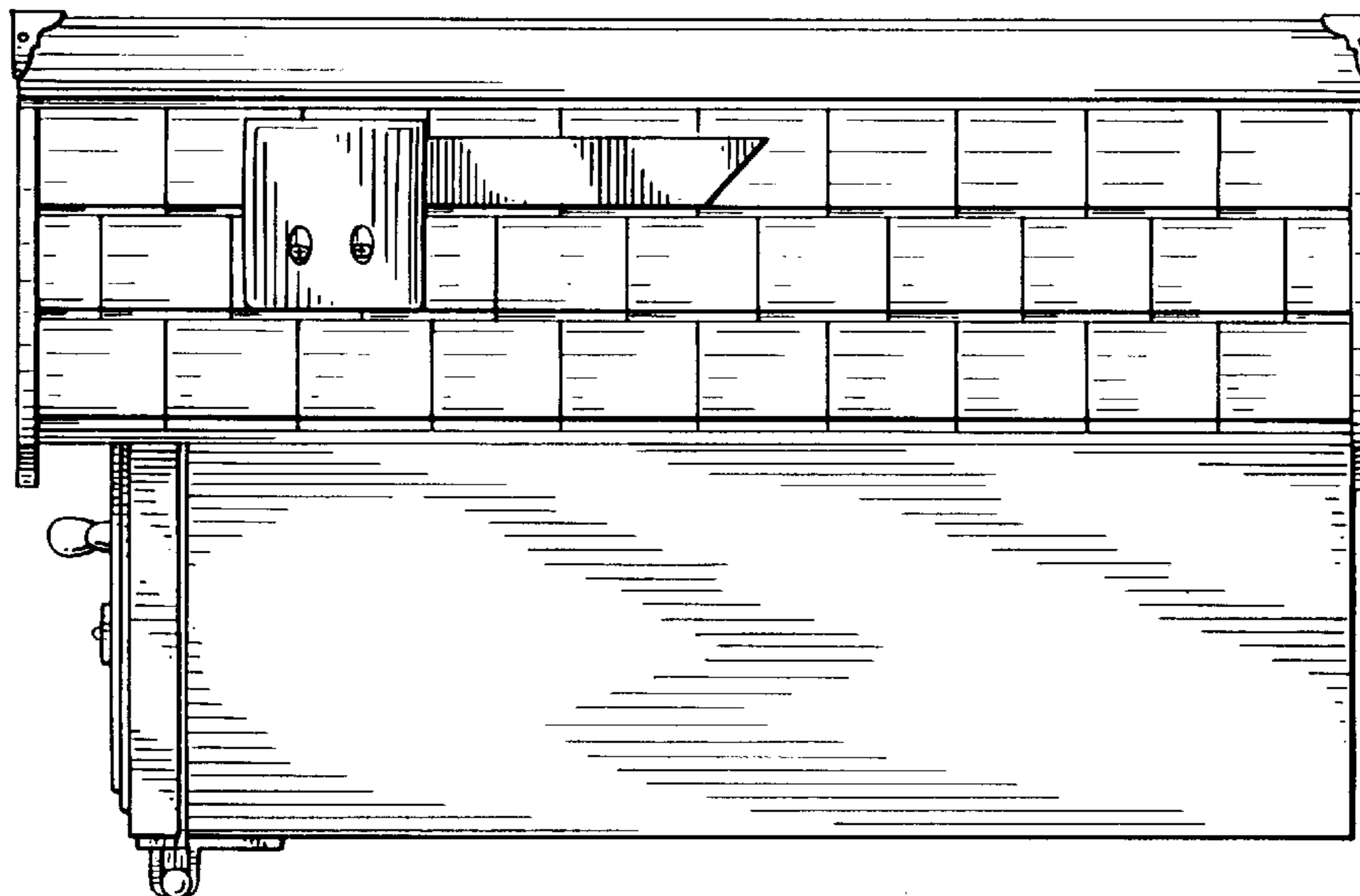


FIG. 4

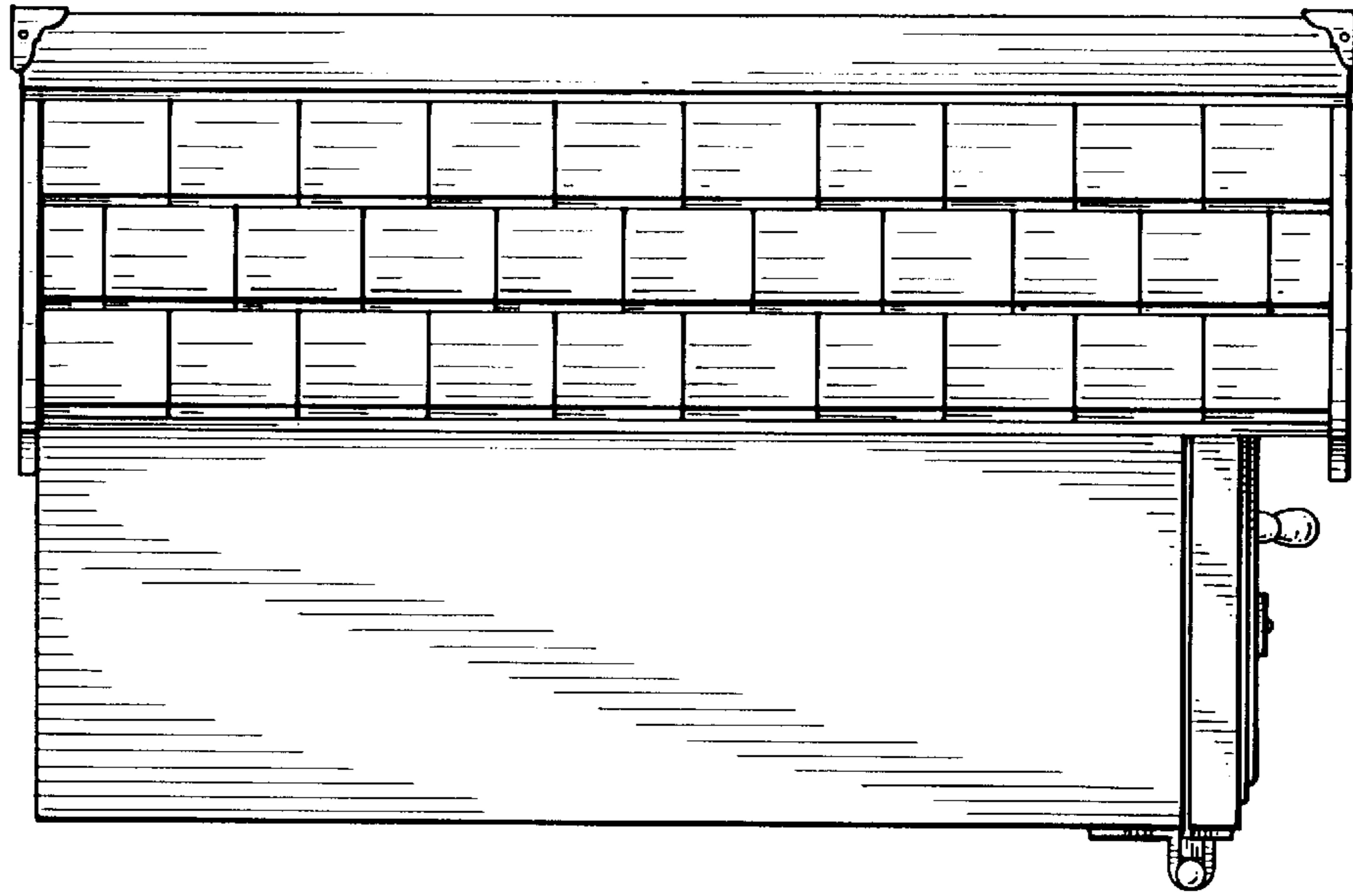


FIG. 5

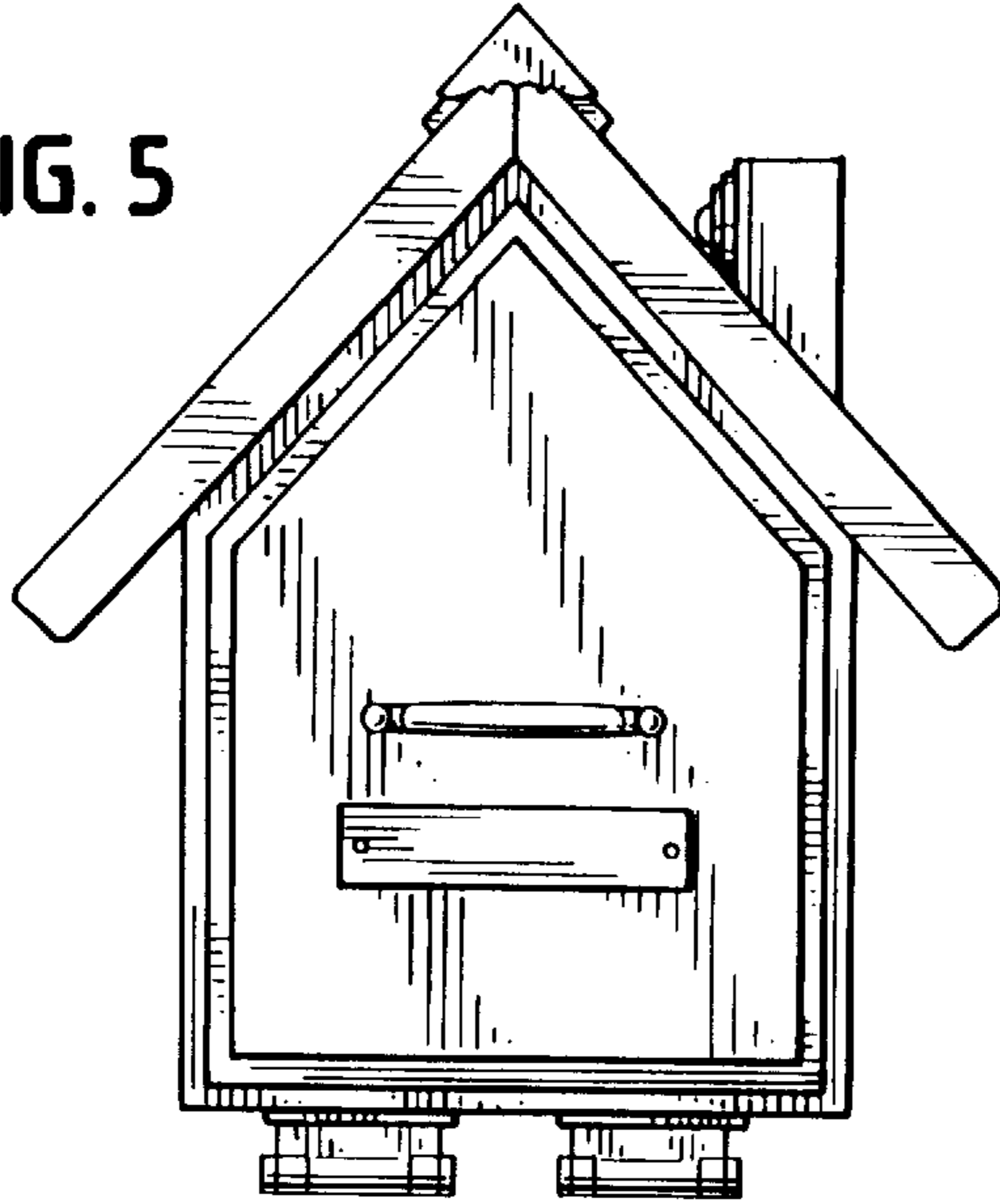


FIG. 6

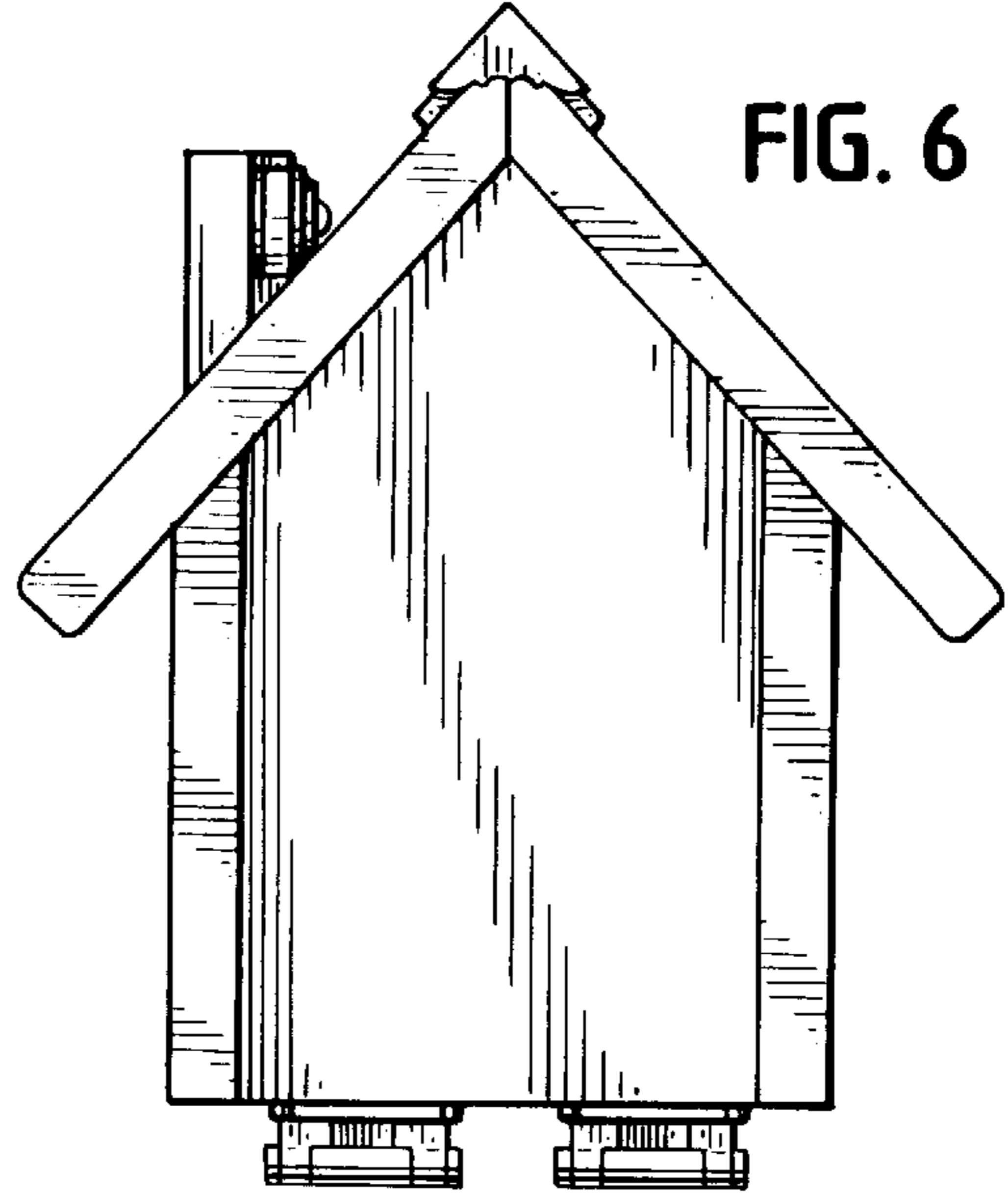
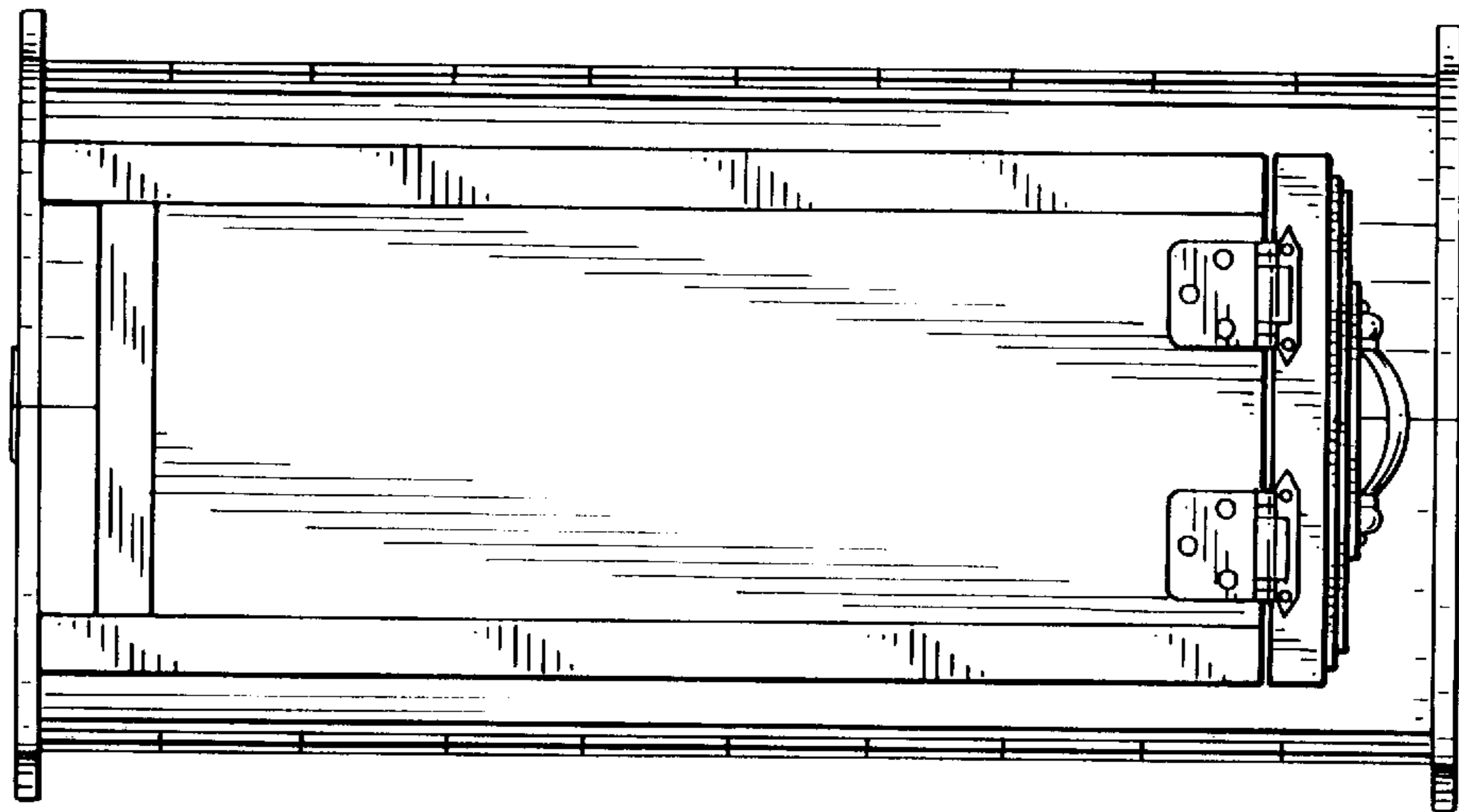


FIG. 7



UNITED STATES PATENT AND TRADEMARK OFFICE
CERTIFICATE OF CORRECTION

PATENT NO : Des. 422,772
DATED : April 11, 2000
INVENTOR(S): Theodore K. Klein

It is certified that error appears in the above-identified patent and that said Letters Patent are hereby corrected as shown below:

On the Title Page

Col. 2, line 19, after "K.," insert - -TK 101 Large Box, - -;

Col. 2, line 20, after "K.," insert - -TK 102 Medium Box, - - ;

Col. 2, line 21, after "K.," insert - TK 103 Small Box, - -.

Signed and Sealed this
Fifteenth Day of May, 2001



Attest:

NICHOLAS P. GODICI

Attesting Officer

Acting Director of the United States Patent and Trademark Office