



US00D422771S

**United States Patent** [19]  
**Schmitt**

[11] **Patent Number: Des. 422,771**  
[45] **Date of Patent: \*\* Apr. 11, 2000**

[54] **LIQUID STORAGE CONTAINER**  
[76] Inventor: **Anthony L. Schmitt**, 25.982 81st Ave.,  
St. Cloud, Minn. 56301  
[\*\*] Term: **14 Years**  
[21] Appl. No.: **29/085,385**  
[22] Filed: **Mar. 23, 1998**  
[51] **LOC (6) Cl.** ..... **09-02**  
[52] **U.S. Cl.** ..... **D34/39**  
[58] **Field of Search** ..... D34/39; D9/502,  
D9/505; 206/503, 511; 220/23.6, 4.13, 647,  
630, 1.5

5,199,570 4/1993 McKenzie .  
5,201,432 4/1993 Elvin-Jensen ..... 220/1.5  
5,226,558 7/1993 Whitney et al. .  
5,249,684 10/1993 Sterett .  
5,501,334 3/1996 Przytulla et al. .  
5,544,777 8/1996 Watson ..... 220/4.13  
5,595,318 1/1997 Barno .  
5,645,185 7/1997 Cassina .  
5,704,477 1/1998 Hermann et al. .... 206/503 X  
5,732,839 3/1998 Schimmang et al. .... 220/1.5  
5,779,051 7/1998 Boutin ..... 206/511 X

*Primary Examiner*—Susan J. Lucas  
*Assistant Examiner*—Cynthia E. Ramirez  
*Attorney, Agent, or Firm*—Burd, Bartz & Gutenkauf

[56] **References Cited**  
U.S. PATENT DOCUMENTS

D. 272,574	2/1984	Sprinski .....	D34/39
D. 338,329	8/1993	Cornwall .....	D34/39 X
1,735,885	11/1929	Towle .....	220/23.6
1,875,141	8/1932	Powell .....	220/647
2,457,842	1/1949	Smith et al. .	
2,793,780	5/1957	Walklet et al. ....	220/630
2,887,251	5/1959	Mackridge .	
3,306,487	2/1967	Gregoire .....	206/503
3,474,843	10/1969	Maris .....	220/630
3,547,299	12/1970	Kepple .....	220/23.6
3,782,602	1/1974	Page .	
3,828,964	8/1974	Bonnot .....	220/1.5
4,050,580	9/1977	Wilson .....	220/1.5
4,287,997	9/1981	Rolfe et al. ....	220/1.5
4,648,521	3/1987	Thomas et al. .	
4,838,443	6/1989	Cripe et al. .	
4,887,731	12/1989	Pett et al. .	
4,930,648	6/1990	Hundt .	
4,930,661	6/1990	Voorhies .....	220/1.5
4,947,988	8/1990	Schitz .....	220/1.5 X
5,029,734	7/1991	Nichols .....	206/511 X
5,156,268	10/1992	Nichols .	

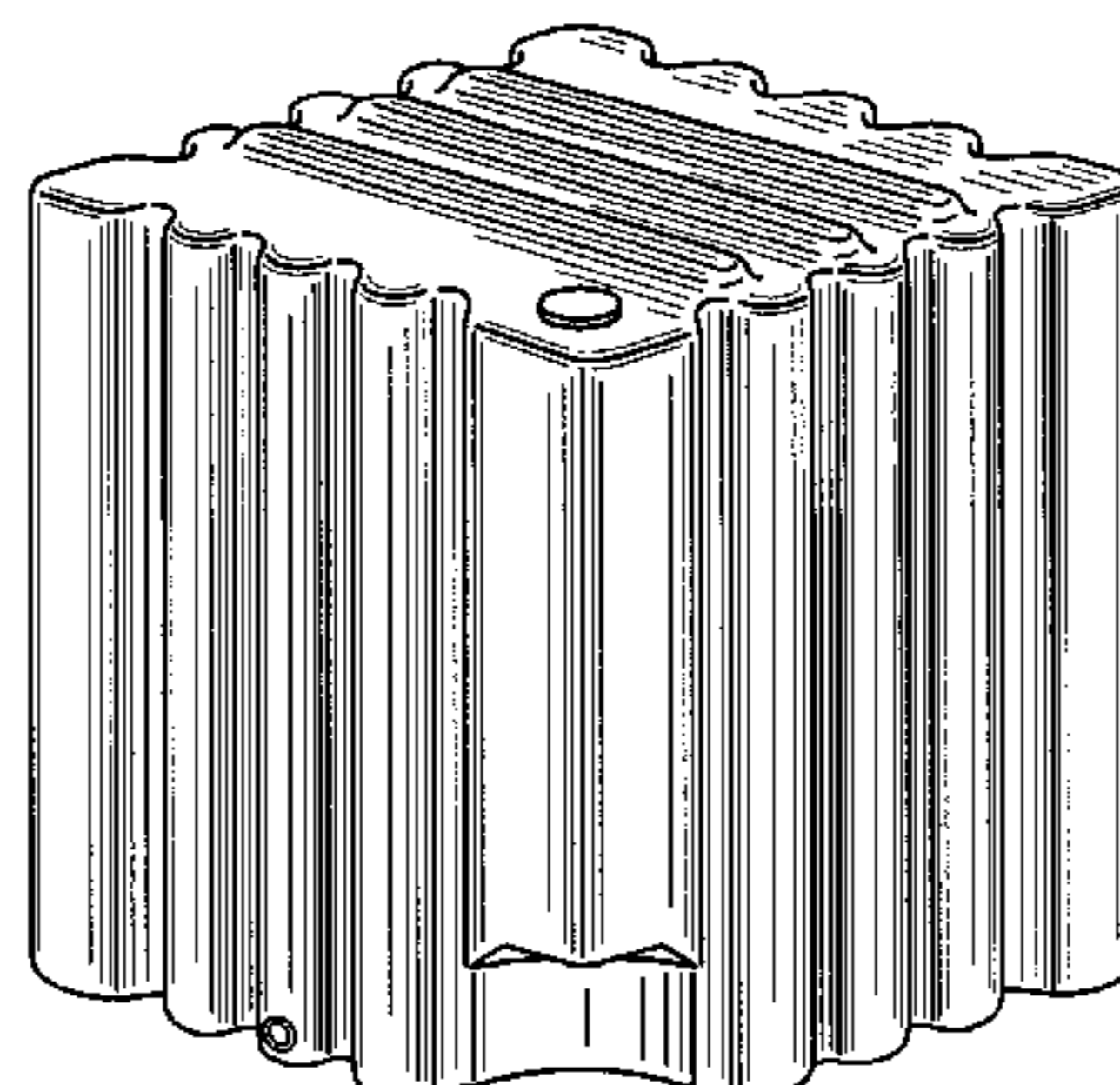
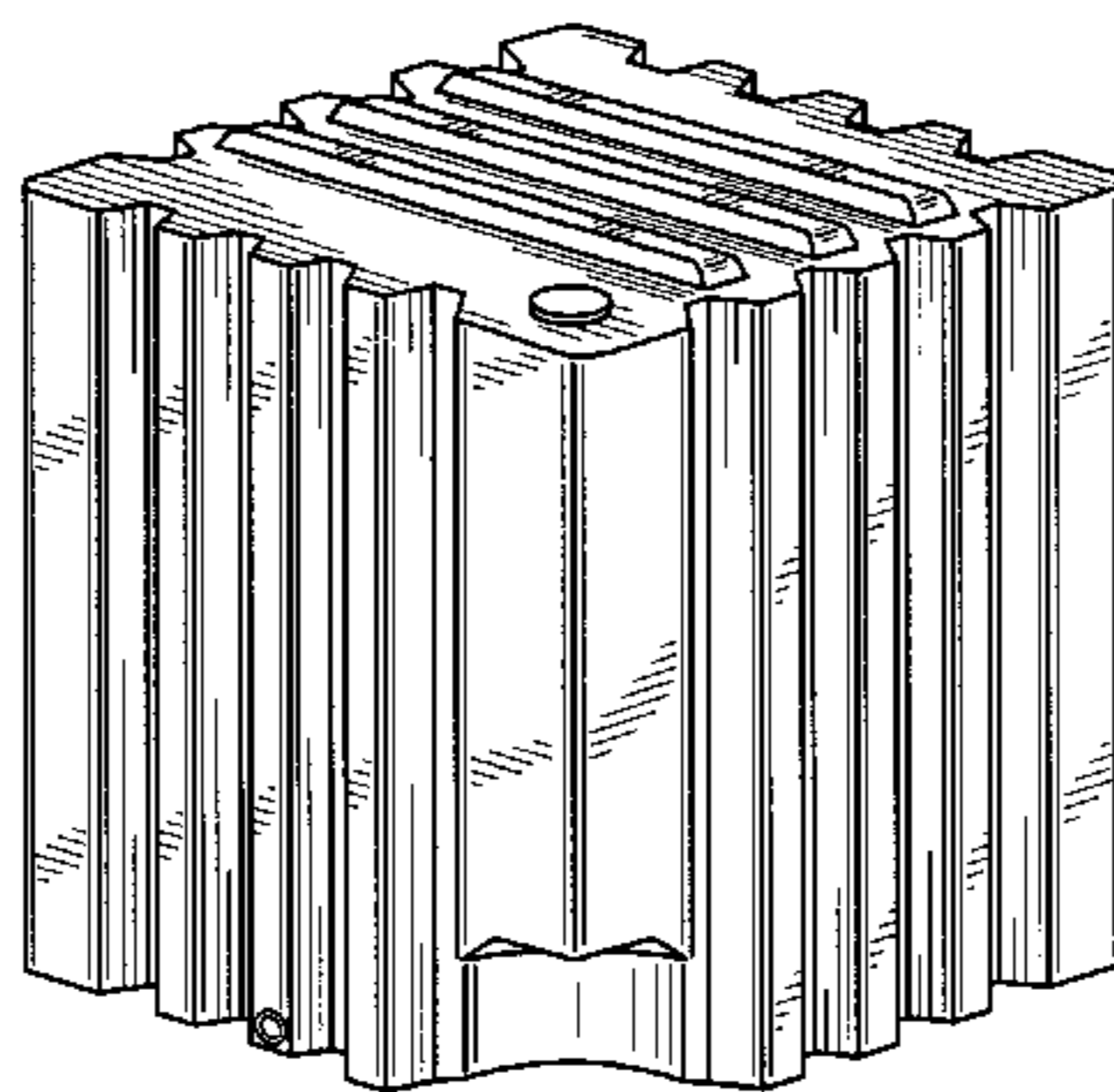
[57] **CLAIM**

The ornamental design of a liquid storage container, as shown and described.

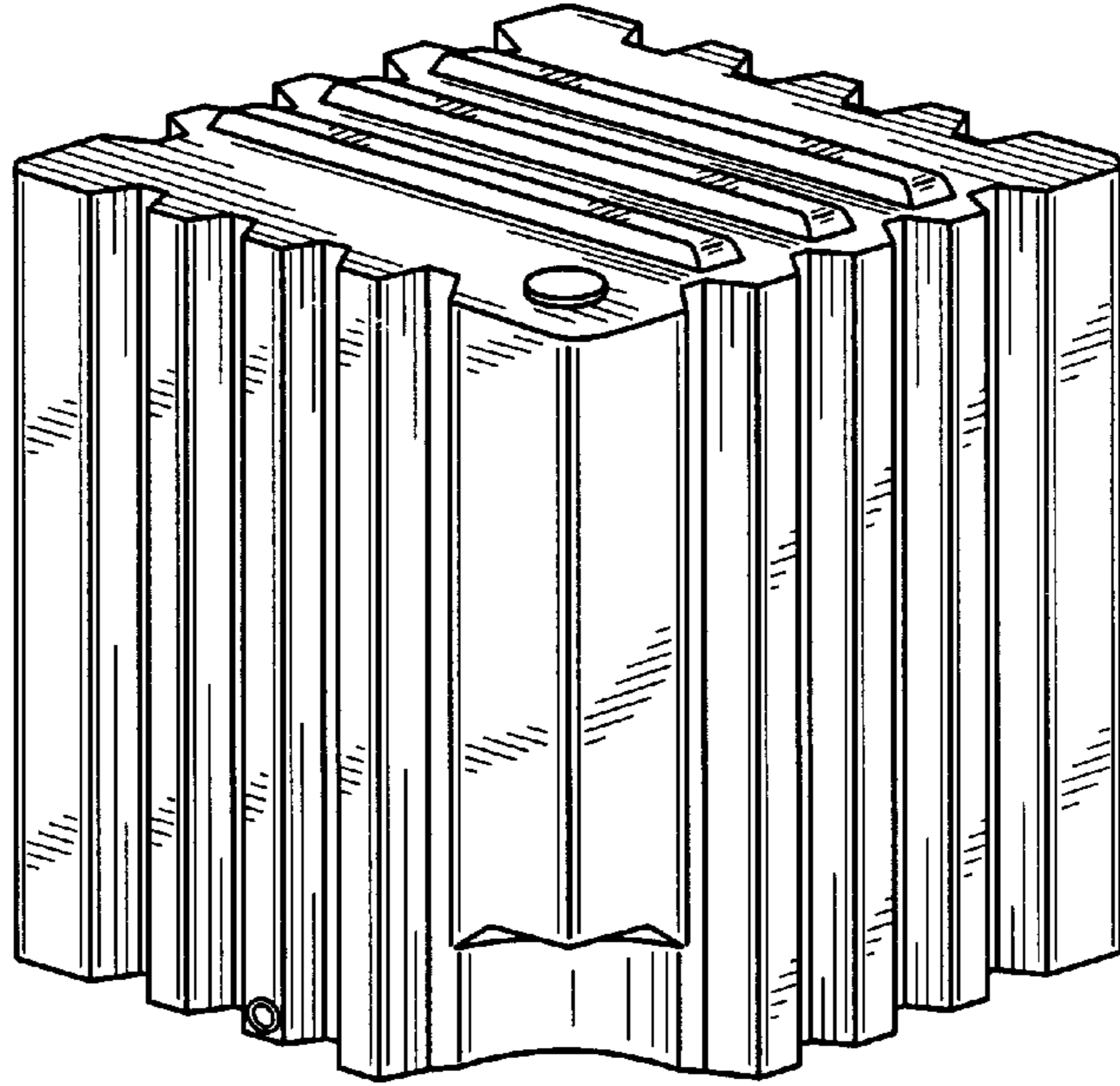
**DESCRIPTION**

FIG. 1 is a perspective view of the liquid storage container showing my new design;  
FIG. 2 is a front elevational view thereof;  
FIG. 3 is a rear elevational view thereof;  
FIG. 4 is a left side elevational view thereof;  
FIG. 5 is a right side elevational view thereof;  
FIG. 6 is a top plan view thereof;  
FIG. 7 is a bottom plan view thereof;  
FIG. 8 is a perspective view of a modification of the liquid storage container of FIG. 1;  
FIG. 9 is a front elevational view of FIG. 8;  
FIG. 10 is a rear elevational view of FIG. 8;  
FIG. 11 is a left side elevational view of FIG. 8;  
FIG. 12 is a right side elevational view of FIG. 8;  
FIG. 13 is a top plan view of FIG. 8; and,  
FIG. 14 is a bottom plan view of FIG. 8.

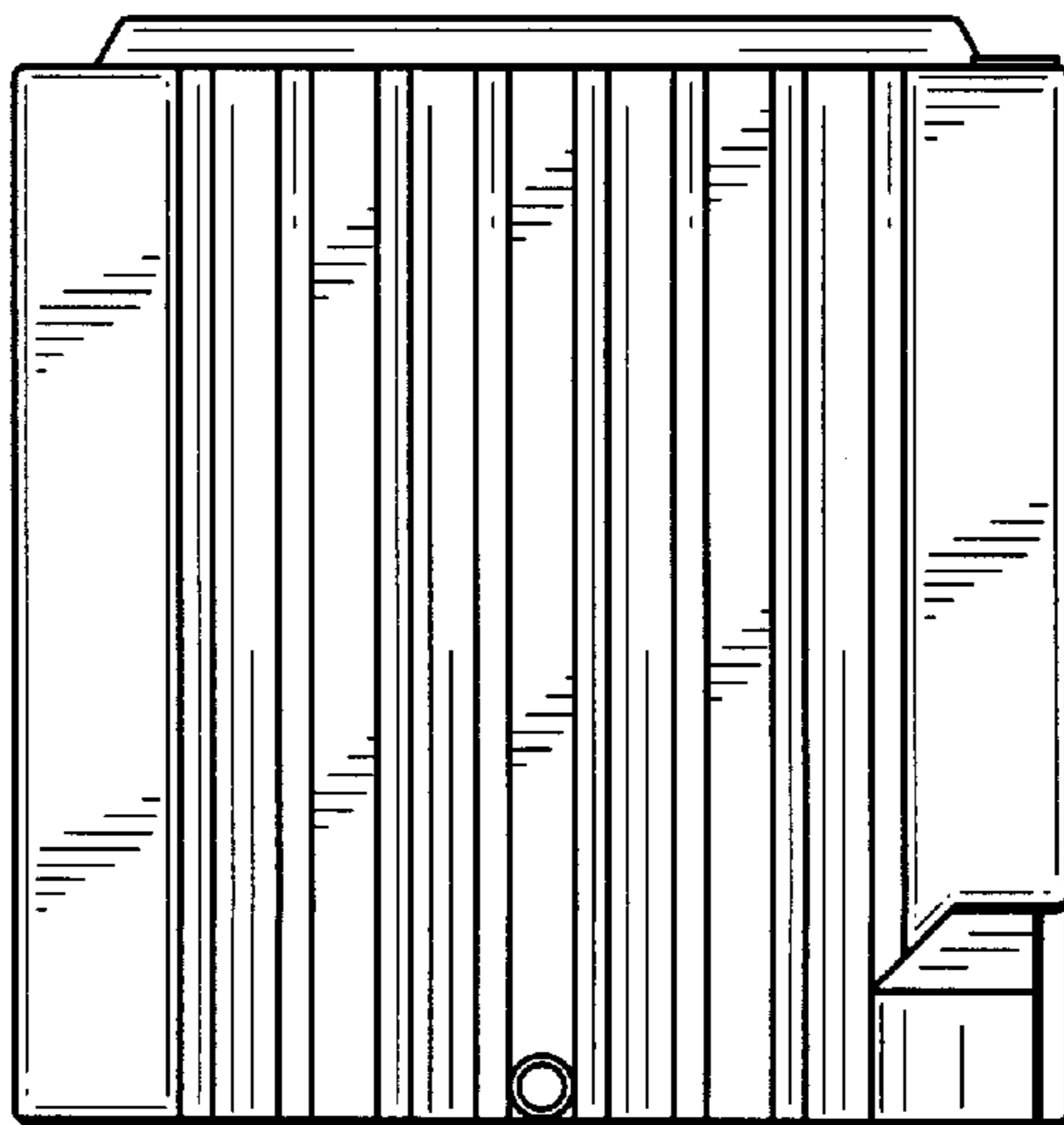
**1 Claim, 6 Drawing Sheets**



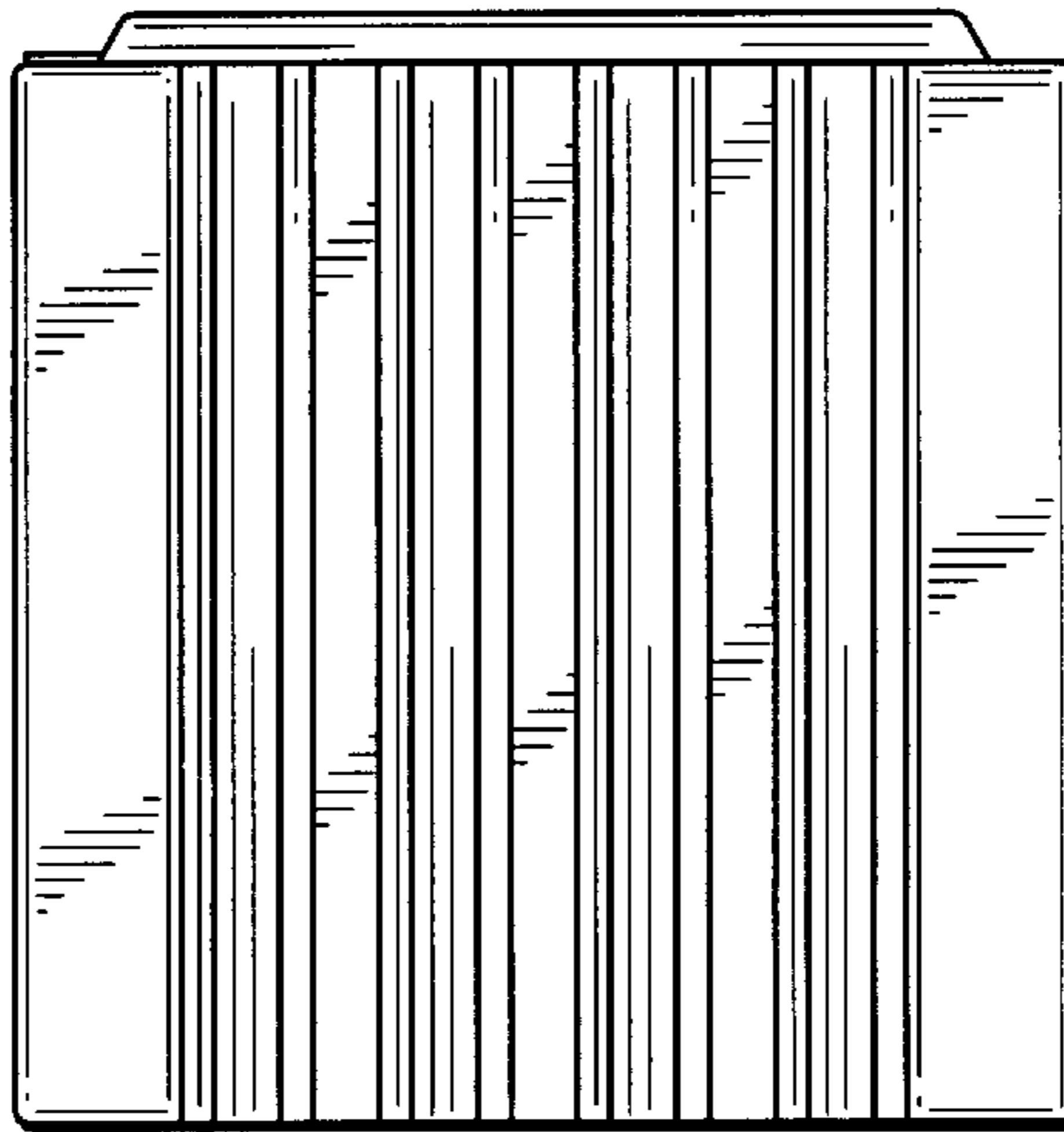
*FIG. 1*



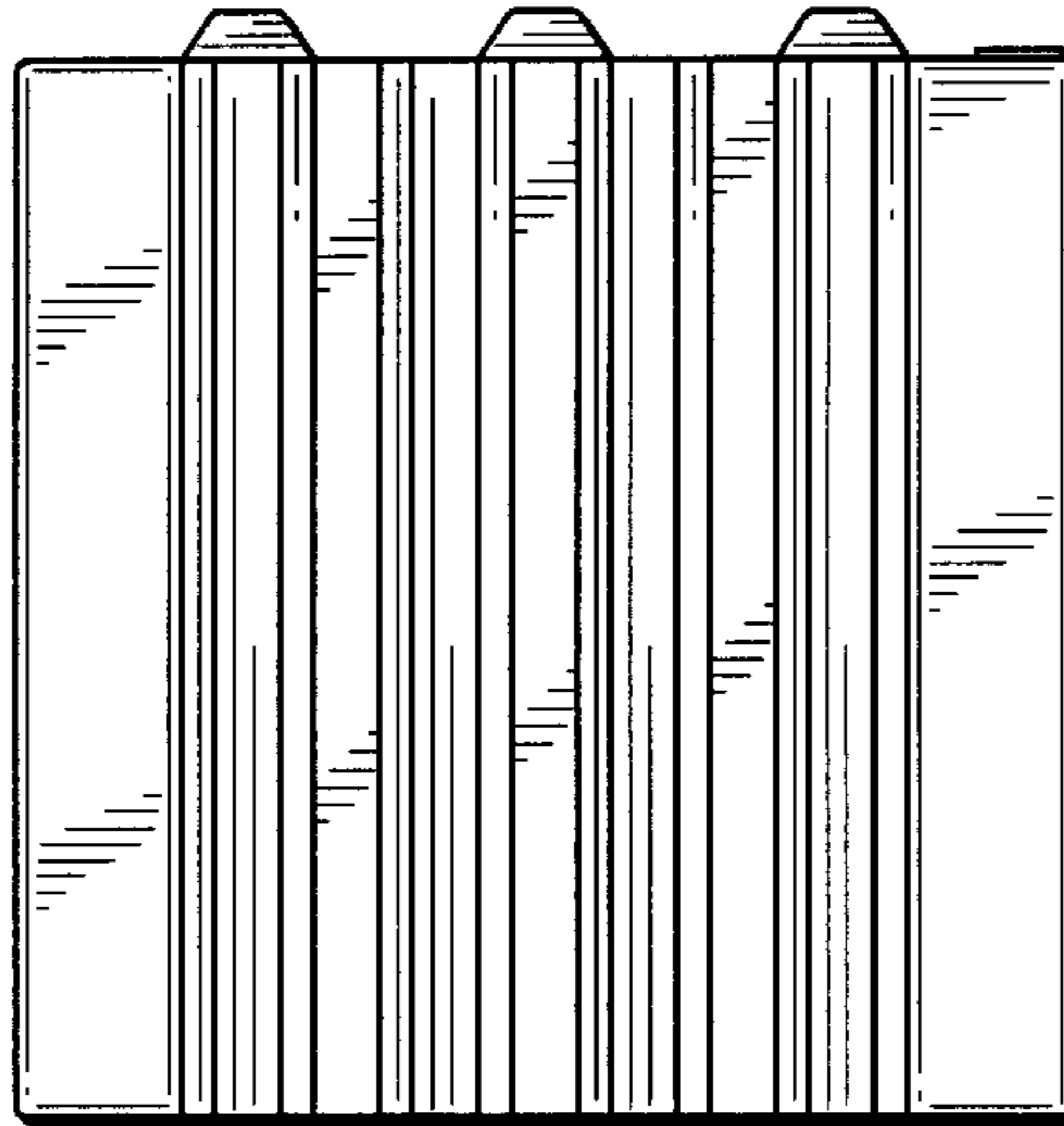
*FIG. 2*



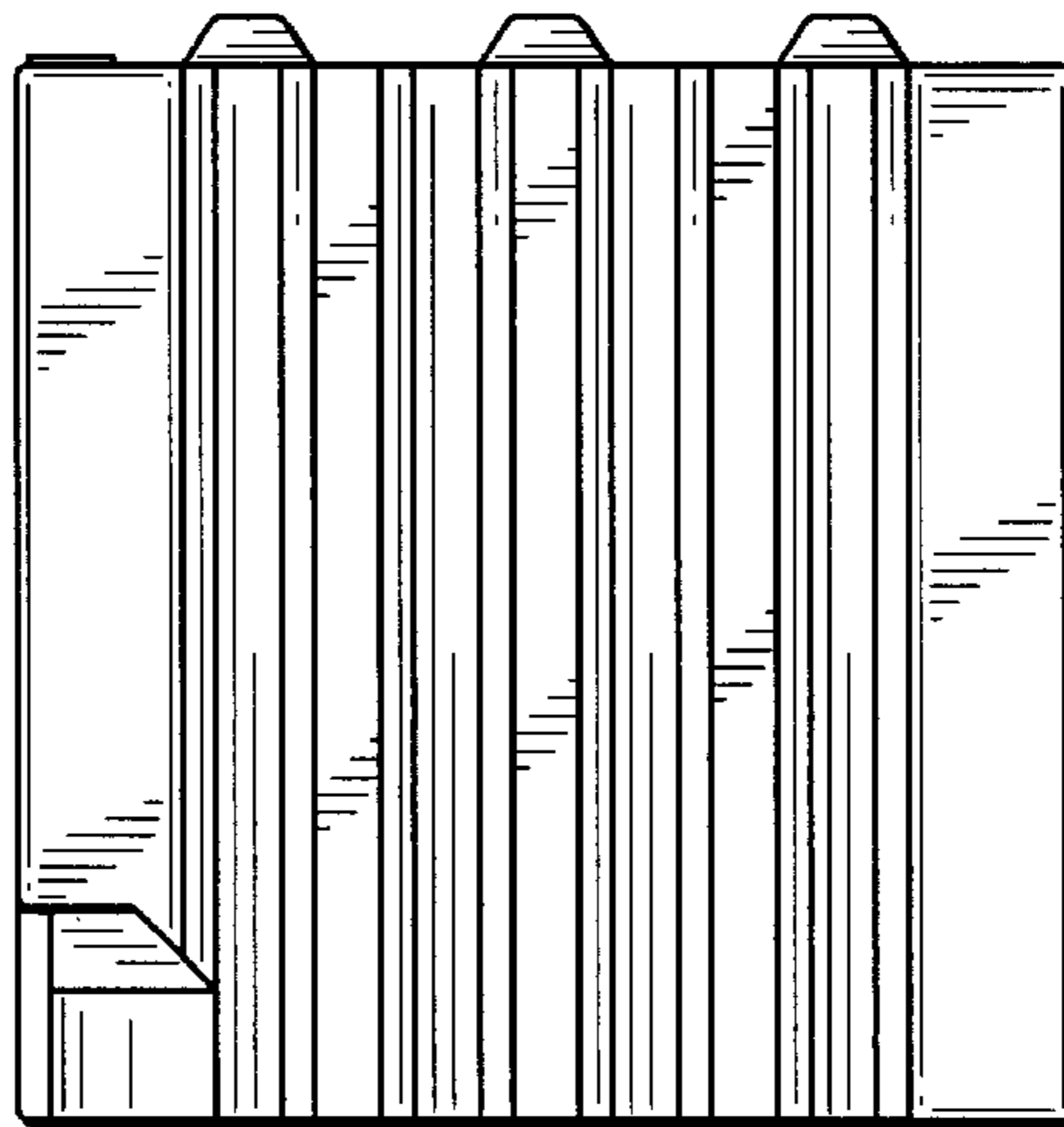
*FIG. 3*



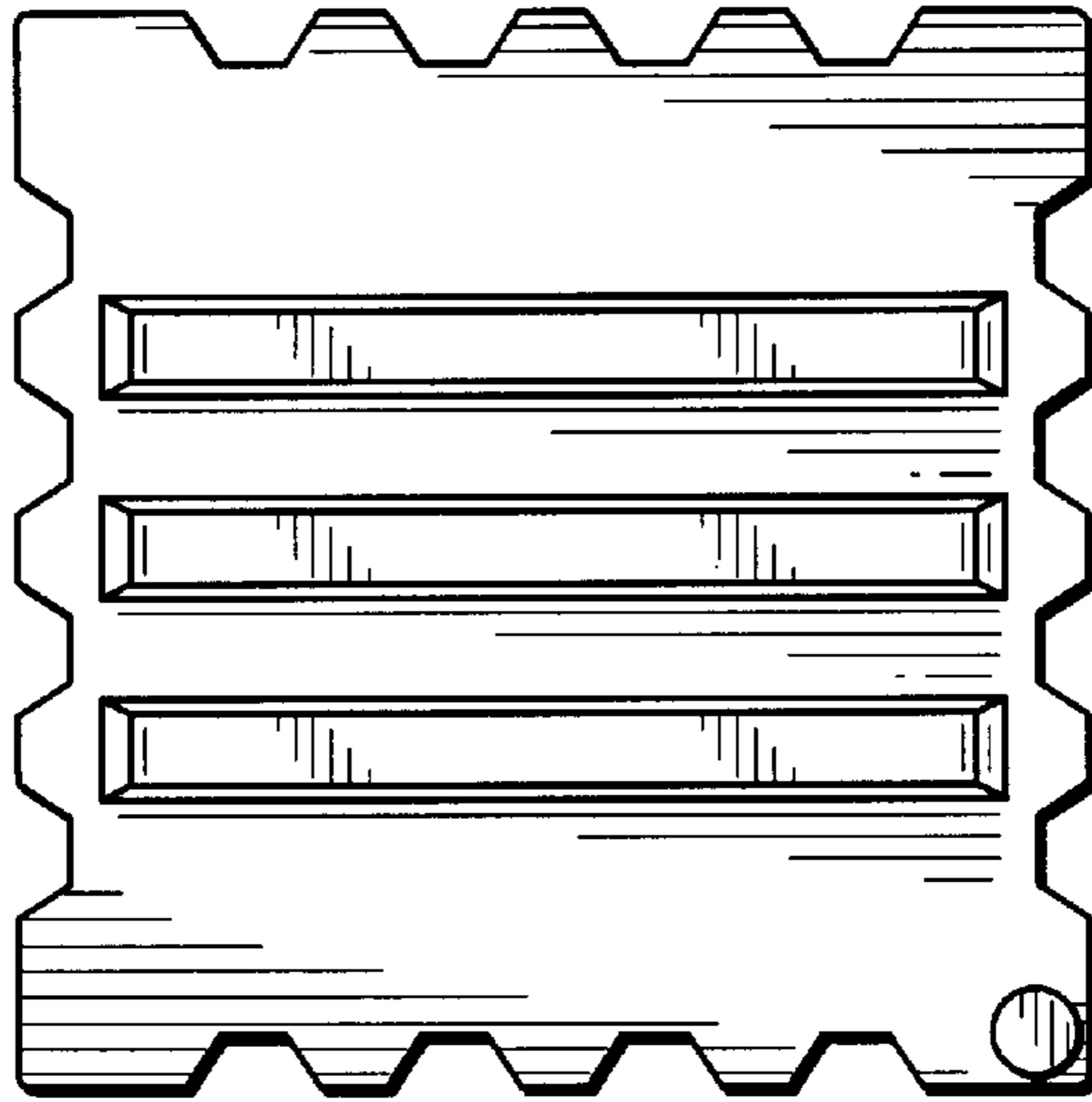
*FIG. 4*



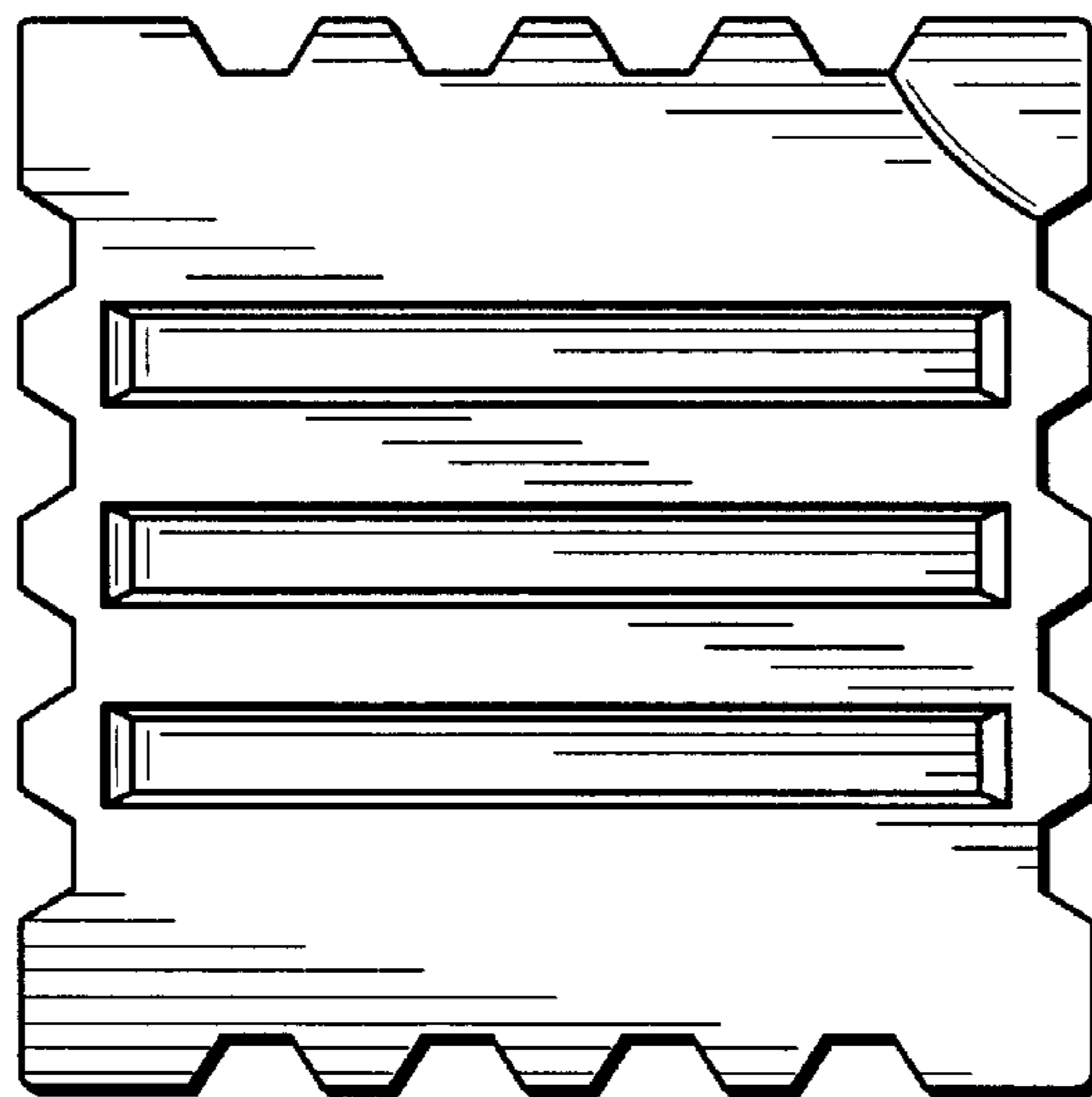
*FIG. 5*



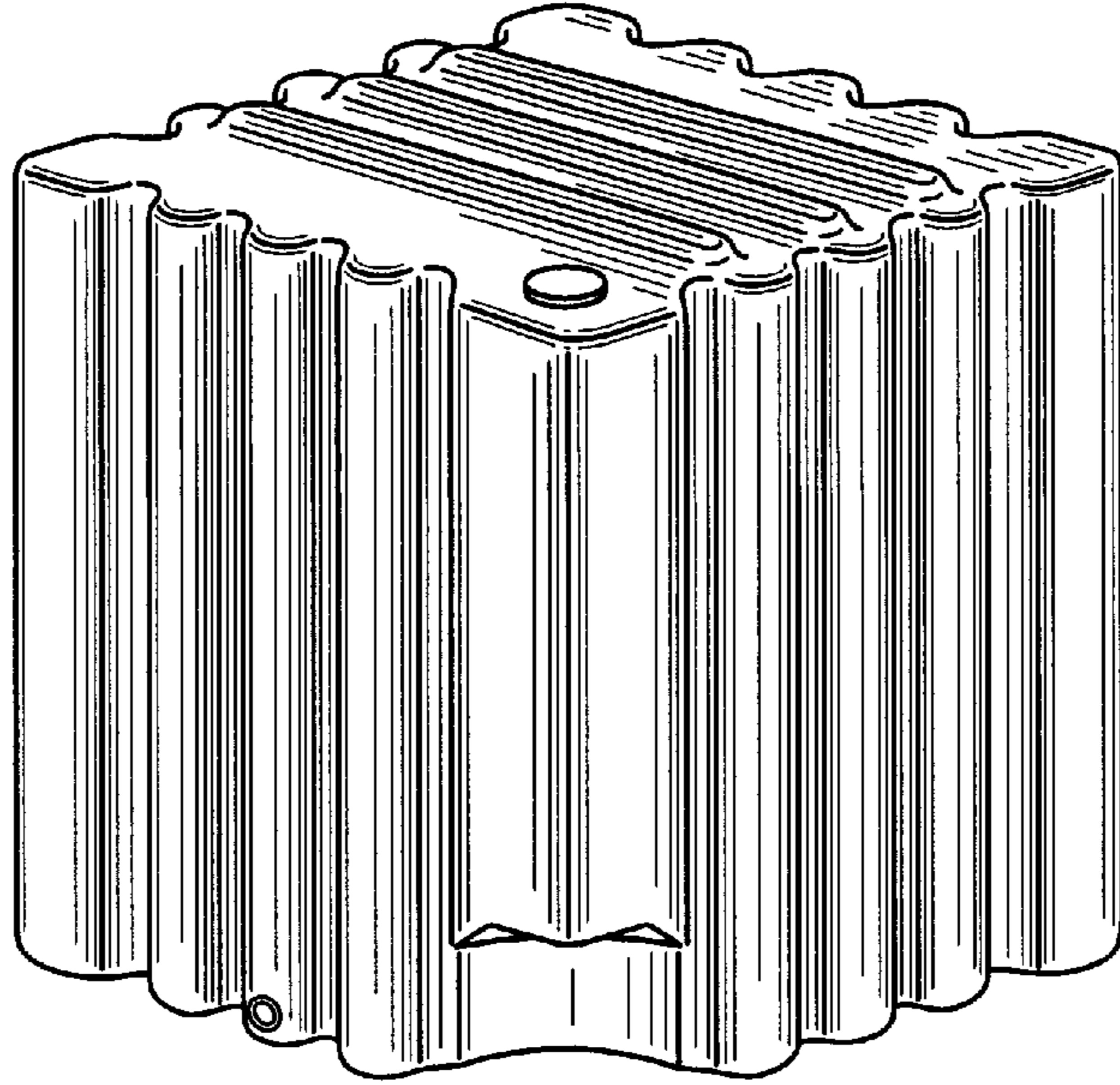
*FIG. 6*



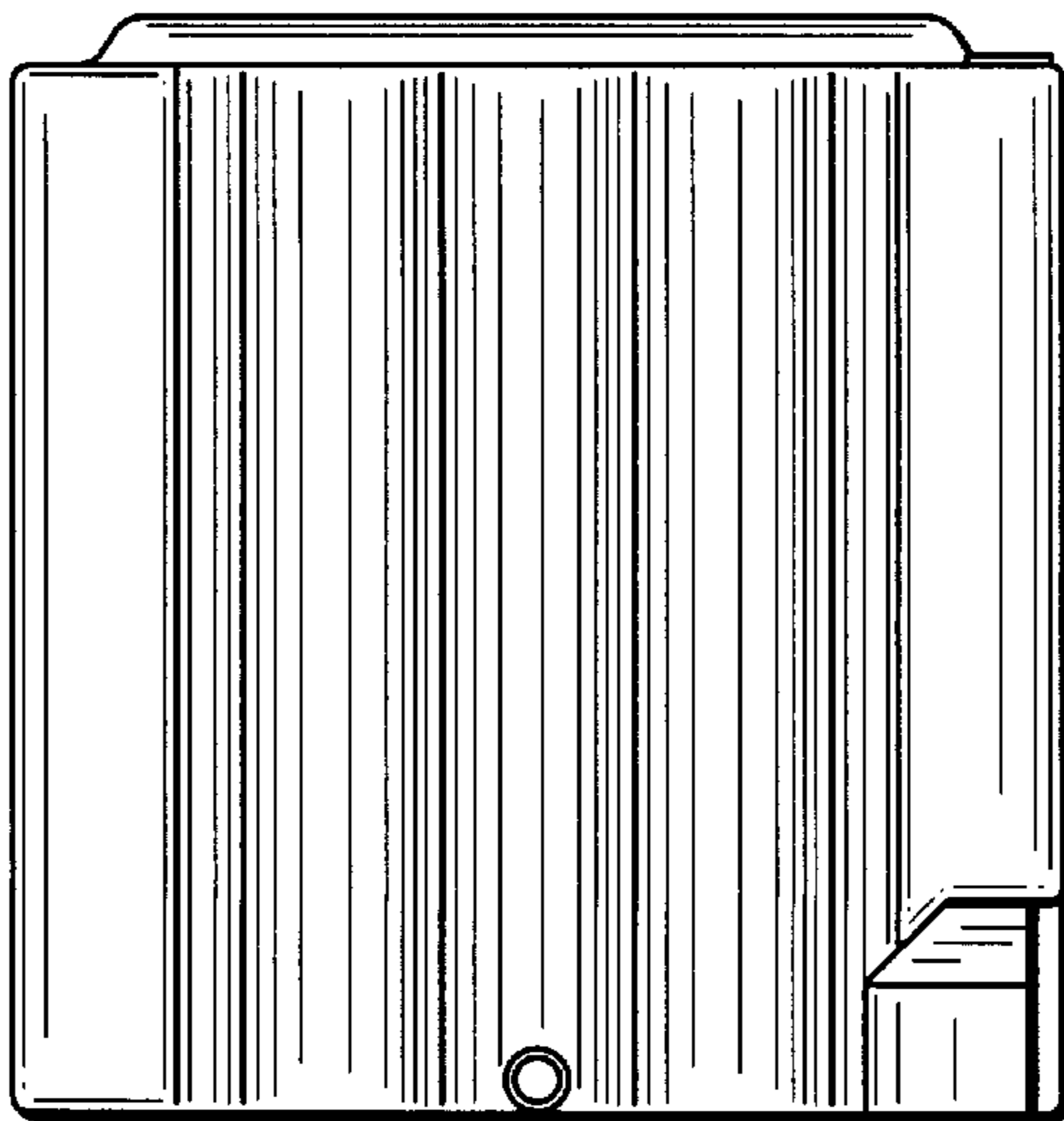
*FIG. 7*



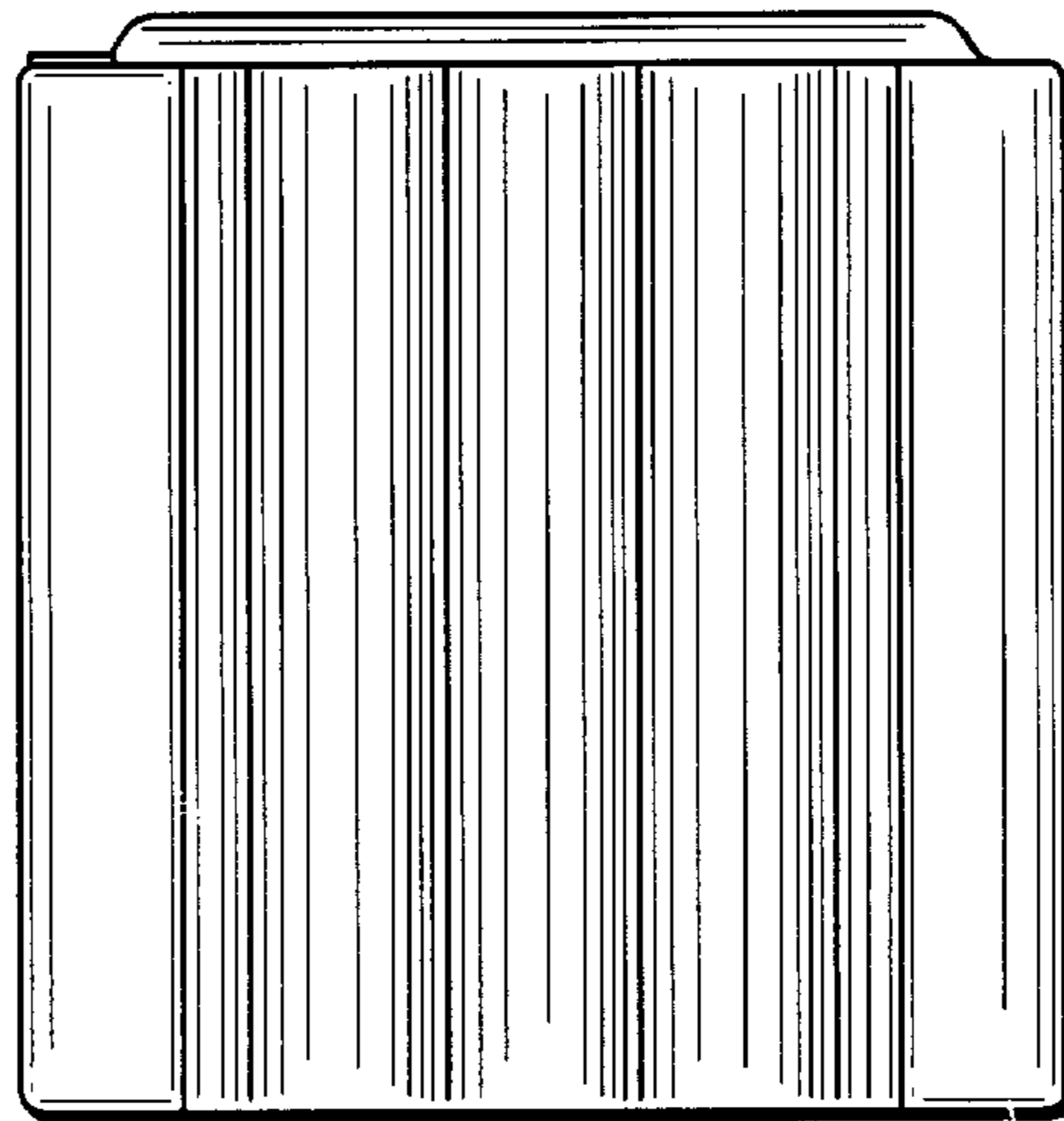
*FIG. 8*



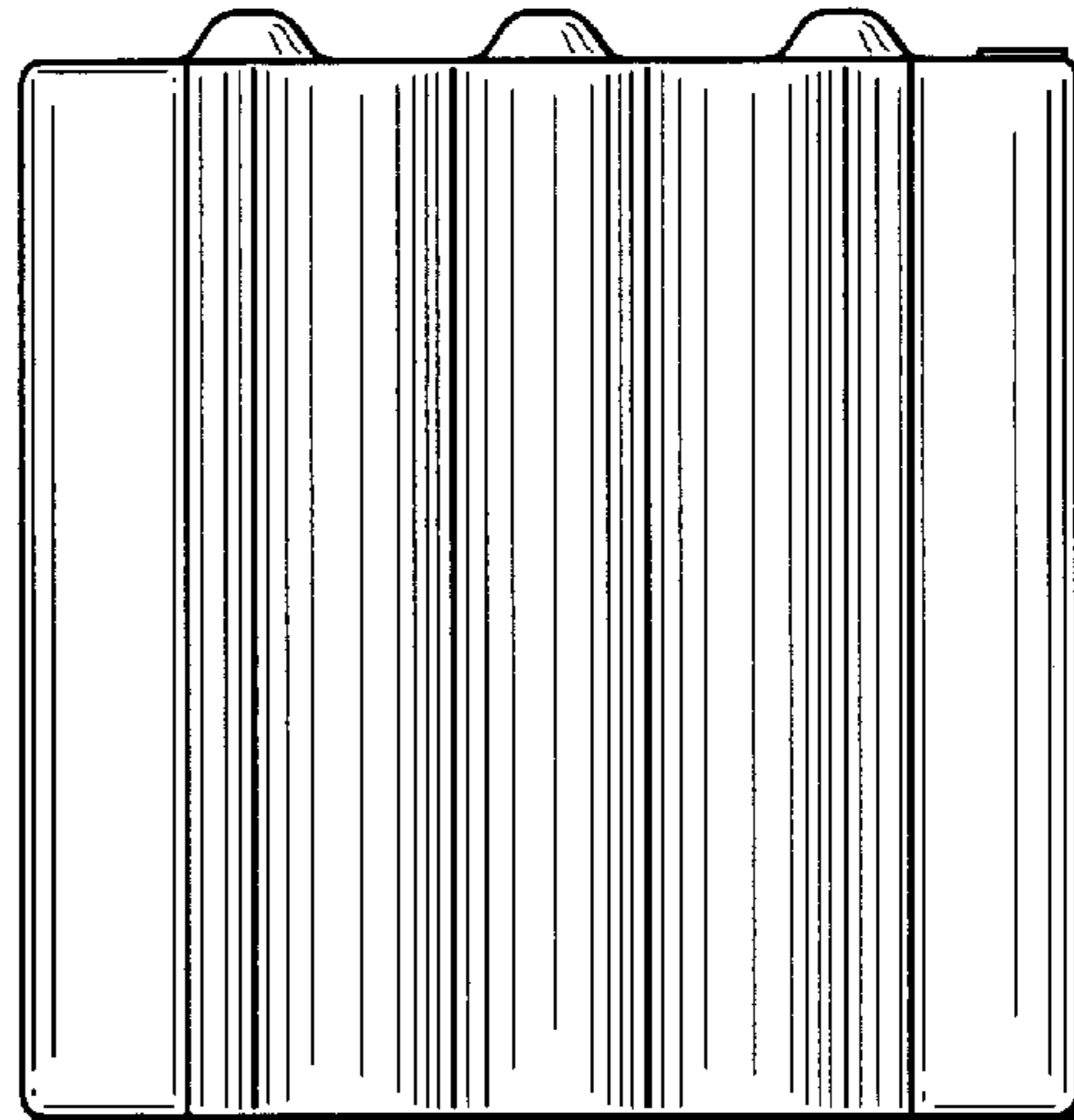
*FIG. 9*



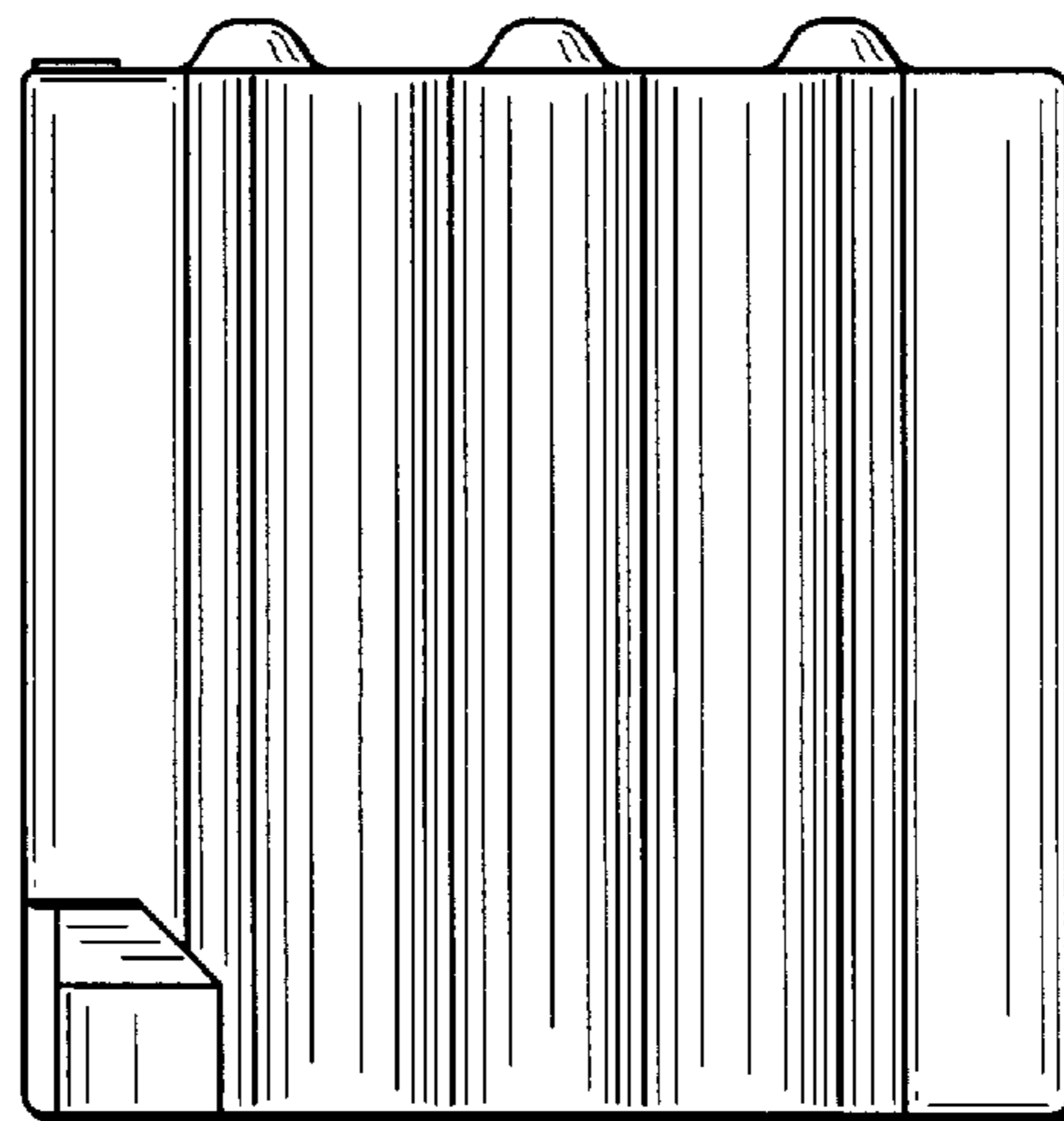
*FIG. 10*



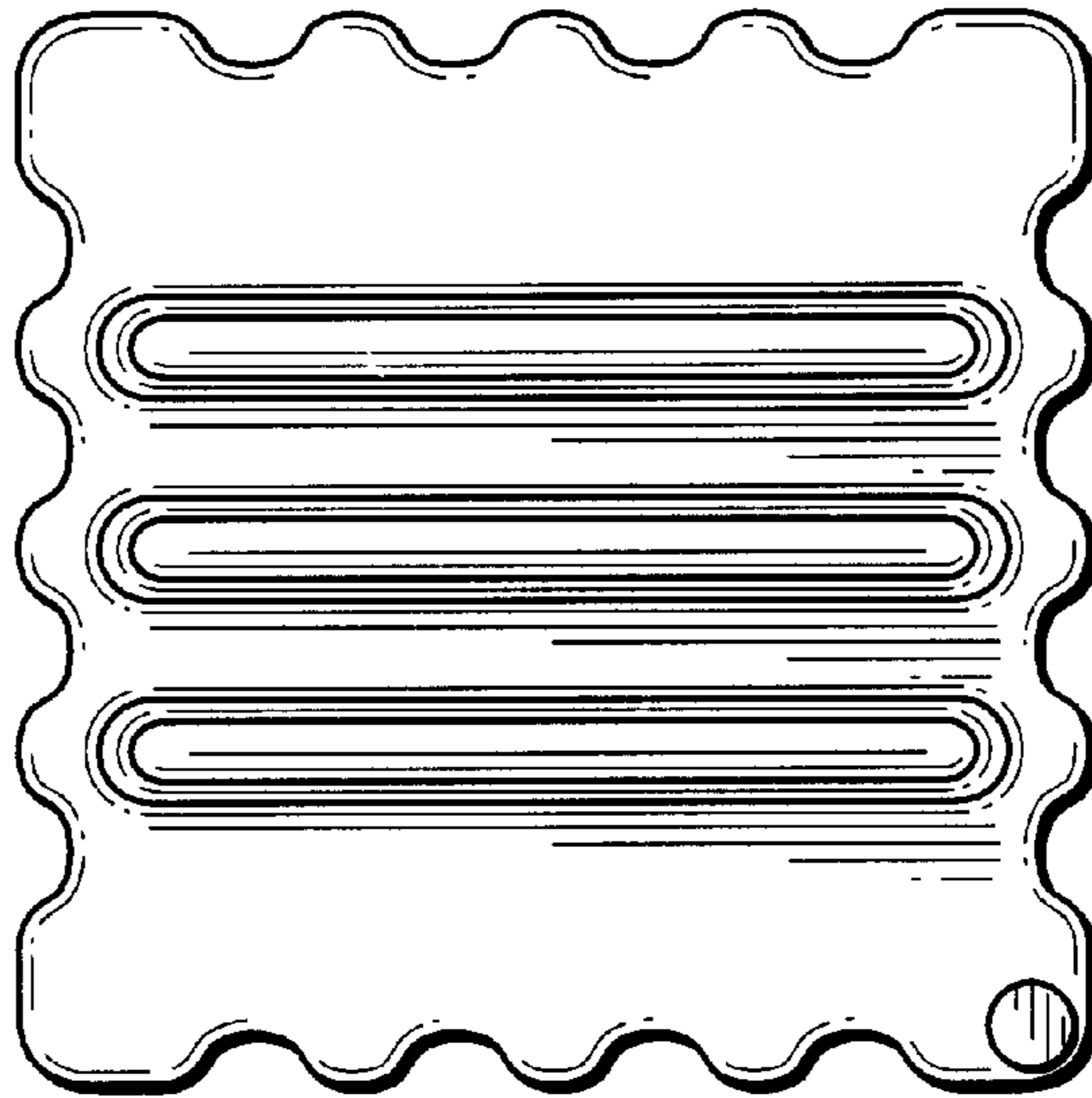
*FIG. 11*



*FIG. 12*



*FIG. 13*



*FIG. 14*

