



US00D422770S

United States Patent [19]
Schmitt

[11] **Patent Number: Des. 422,770**
[45] **Date of Patent: ** Apr. 11, 2000**

[54] **COMBINED CONTAINER AND PALLET**

[76] Inventor: **Anthony L. Schmitt**, 25982 - 81st Ave.,
St. Cloud, Minn. 56301

[**] Term: **14 Years**

[21] Appl. No.: **29/107,229**

[22] Filed: **Jul. 2, 1999**

[51] **LOC (6) Cl. 09-08**

[52] **U.S. Cl. D34/38; D3/272; D34/39**

[58] **Field of Search D34/38; D3/272;**
220/200, 614, 619, 9.1, 9.2, 571, DIG. 6,
670; 256/595, 386, 511; 222/105, 181.2

[56] **References Cited**

U.S. PATENT DOCUMENTS

D. 272,574	2/1984	Sprinski .	
D. 316,320	4/1991	Roser	D34/42
D. 338,329	8/1993	Cornwall .	
D. 370,780	6/1996	Bunger	D3/272
1,735,885	11/1929	Towle .	
1,875,141	8/1932	Powell .	
2,457,842	1/1949	Smith et al. .	
2,793,780	5/1957	Walklet et al. .	
2,887,251	5/1959	Mackridge .	
3,306,487	2/1967	Gregoire .	
3,474,843	10/1969	Maris .	
3,547,299	12/1970	Kepple .	
3,586,204	6/1971	Roper	220/200
3,782,602	1/1974	Page .	
3,828,964	8/1974	Bonnot .	
4,050,580	9/1977	Wilson .	
4,287,997	9/1981	Rolfe et al. .	
4,398,653	8/1983	Dalogio	222/181.1
4,648,521	3/1987	Thomas et al. .	
4,838,443	6/1989	Cripe et al. .	

4,887,731	12/1989	Pett et al. .	
4,930,648	6/1990	Hundt .	
4,930,661	6/1990	Voorhies .	
4,947,988	8/1990	Schutz .	
5,029,734	7/1991	Nichols	222/105
5,156,268	10/1992	Nichols .	
5,199,570	4/1993	McKenzie .	
5,201,432	4/1993	Elvin-Jensen .	
5,226,558	7/1993	Whitney et al. .	
5,249,684	10/1993	Sterett .	
5,253,777	10/1993	Schutz	220/571
5,259,509	11/1993	Boal, Jr. et al. .	
5,501,334	3/1996	Przytulla et al. .	
5,544,777	8/1996	Watson .	
5,564,599	10/1996	Barber et al.	222/105
5,595,318	1/1997	Barno .	
5,645,185	7/1997	Cassina .	
5,704,477	1/1998	Hermann et al. .	
5,732,839	3/1998	Schimmang et al. .	
5,779,051	7/1998	Boutin .	

Primary Examiner—Susan J. Lucas
Assistant Examiner—Cynthia Ramirez

[57] **CLAIM**

The ornamental design for combined container and pallet, as shown and described.

DESCRIPTION

FIG. 1 is a perspective view of a combined container and pallet of my new design;
FIG. 2 is a front elevational view thereof,
FIG. 3 is a rear elevational view thereof,
FIG. 4 is a side elevational view of the left side thereof;
FIG. 5 is a side elevational view of the right side thereof;
FIG. 6 is a top plan view thereof; and,
FIG. 7 is a bottom plan view thereof.

1 Claim, 3 Drawing Sheets

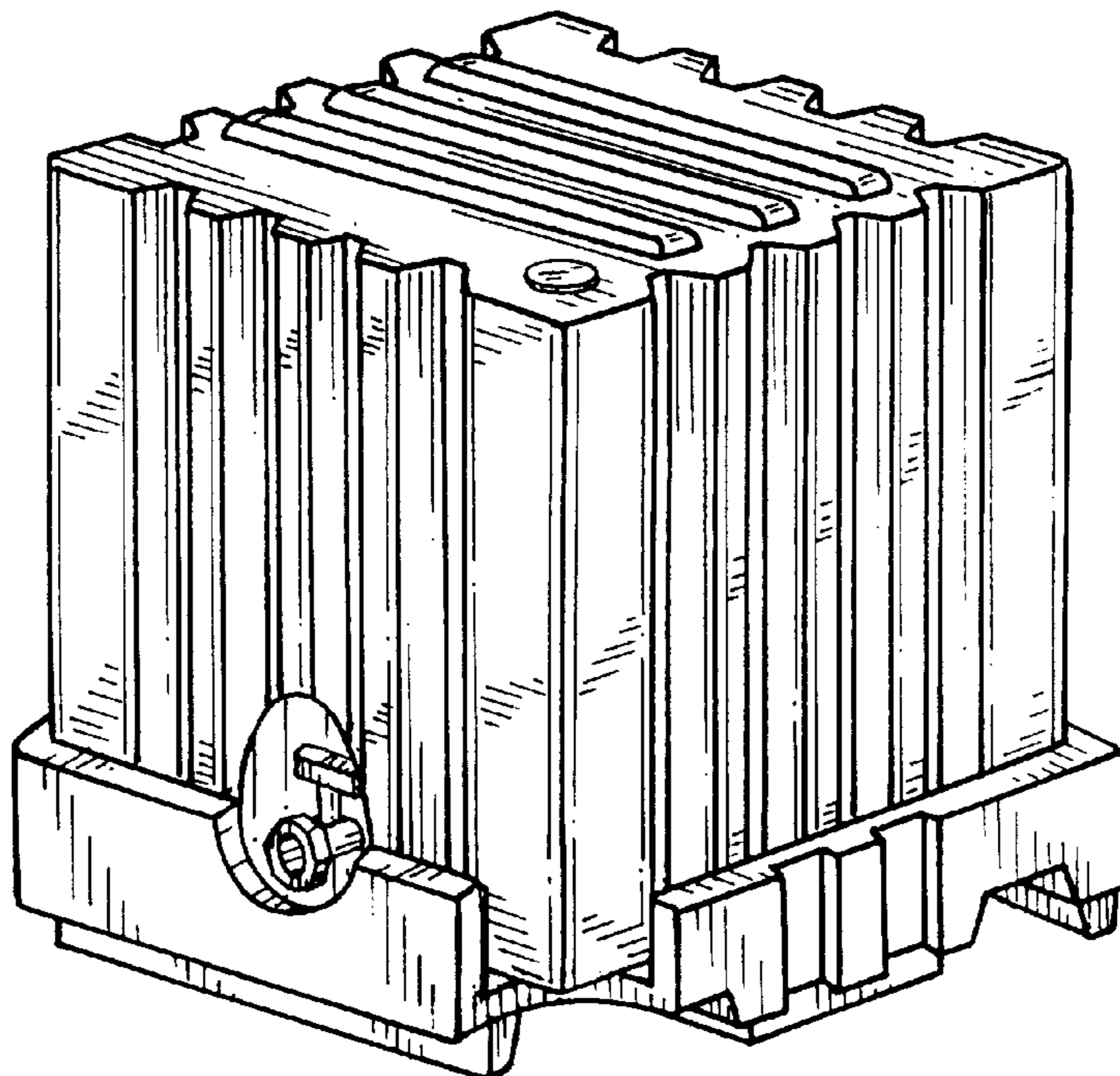


FIG. 1

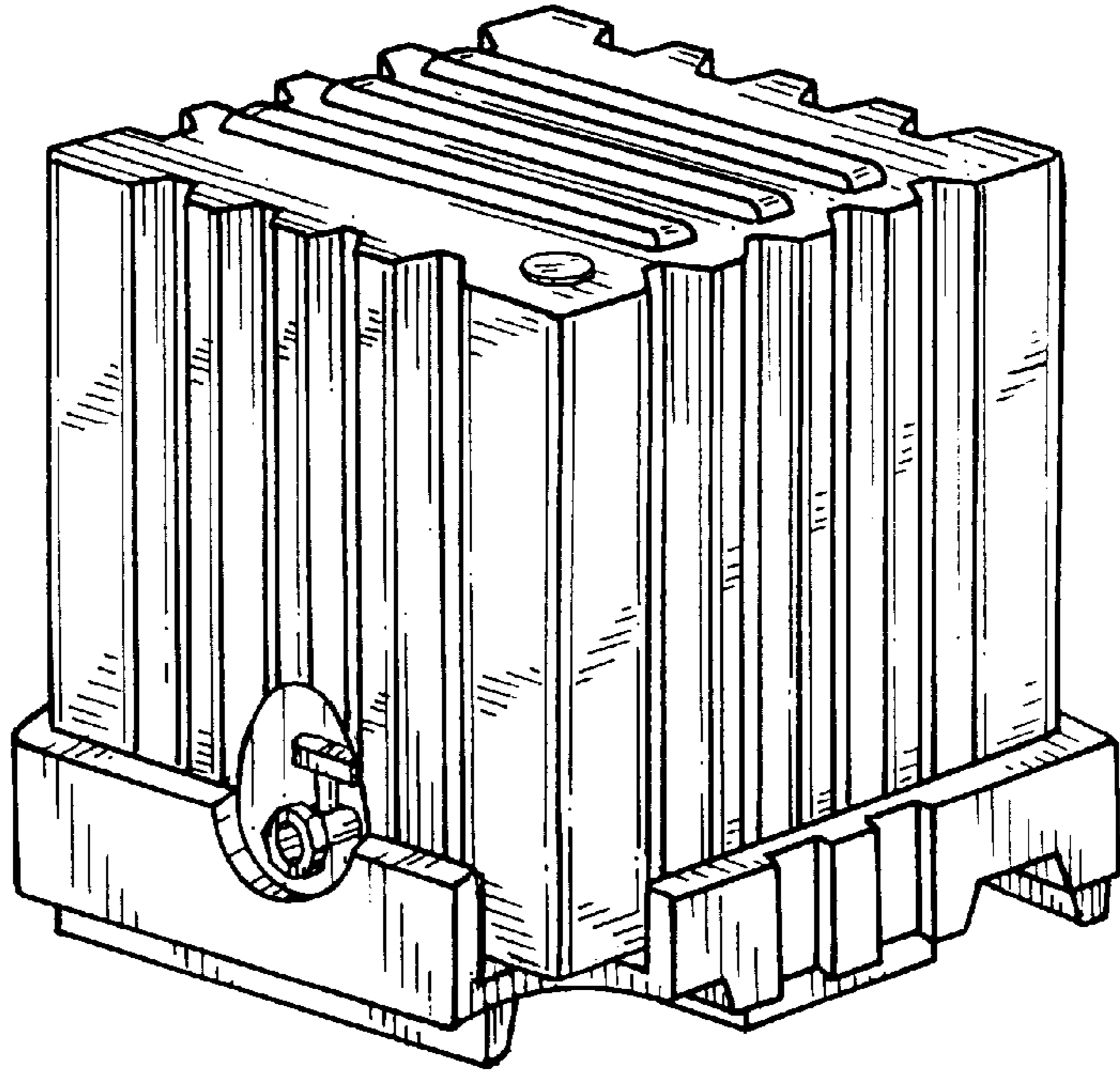


FIG. 2

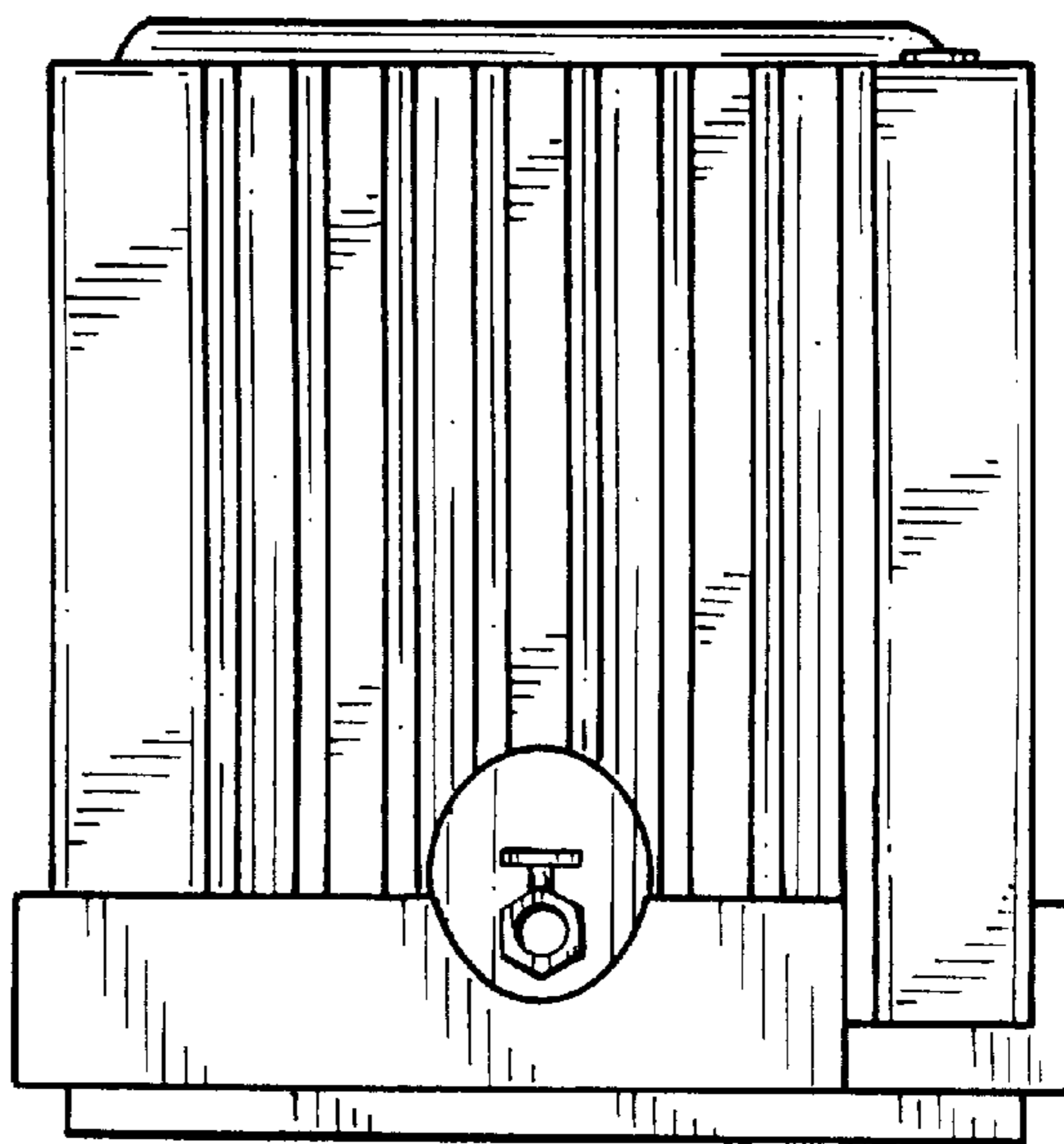


FIG. 3

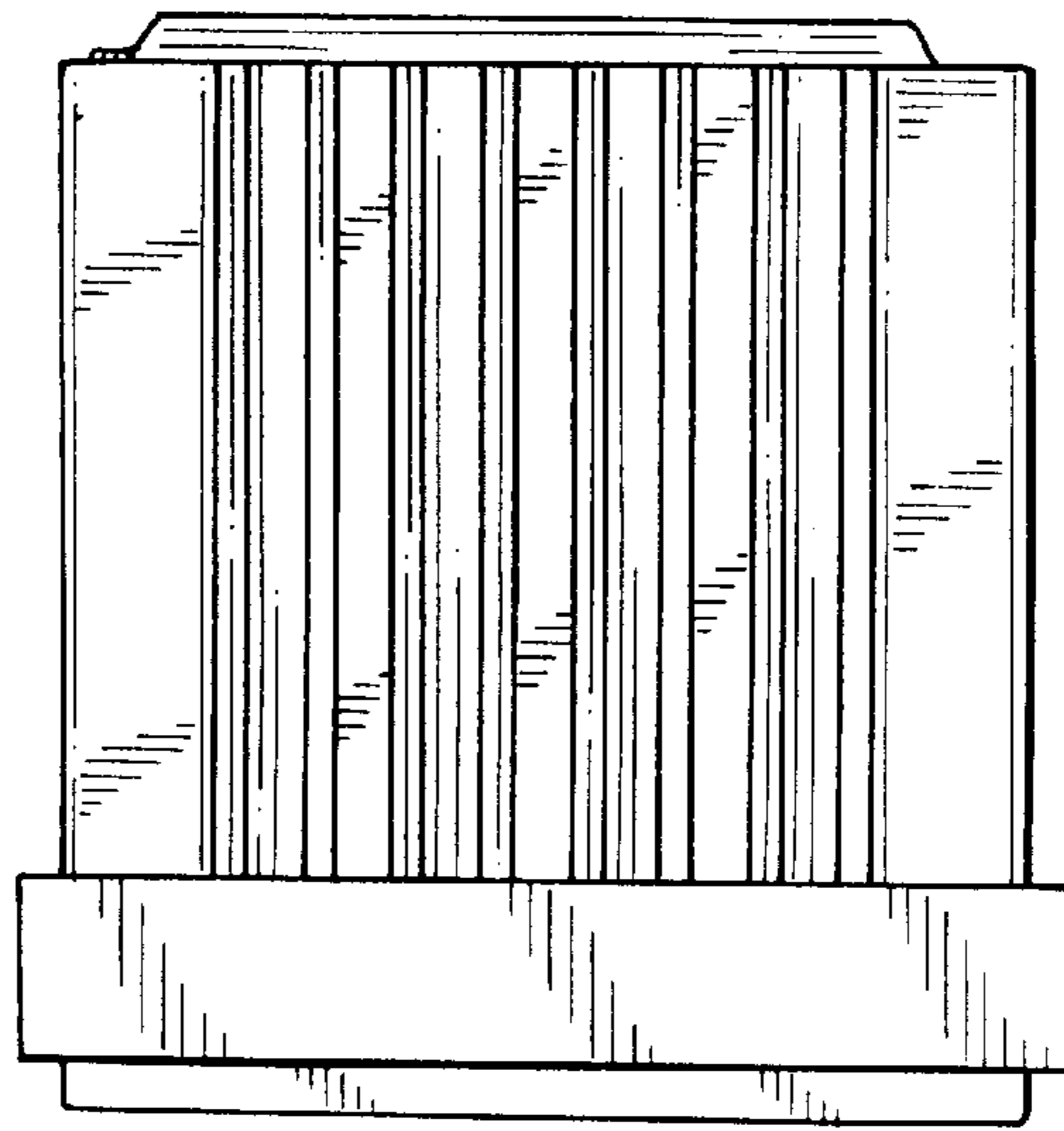


FIG. 4

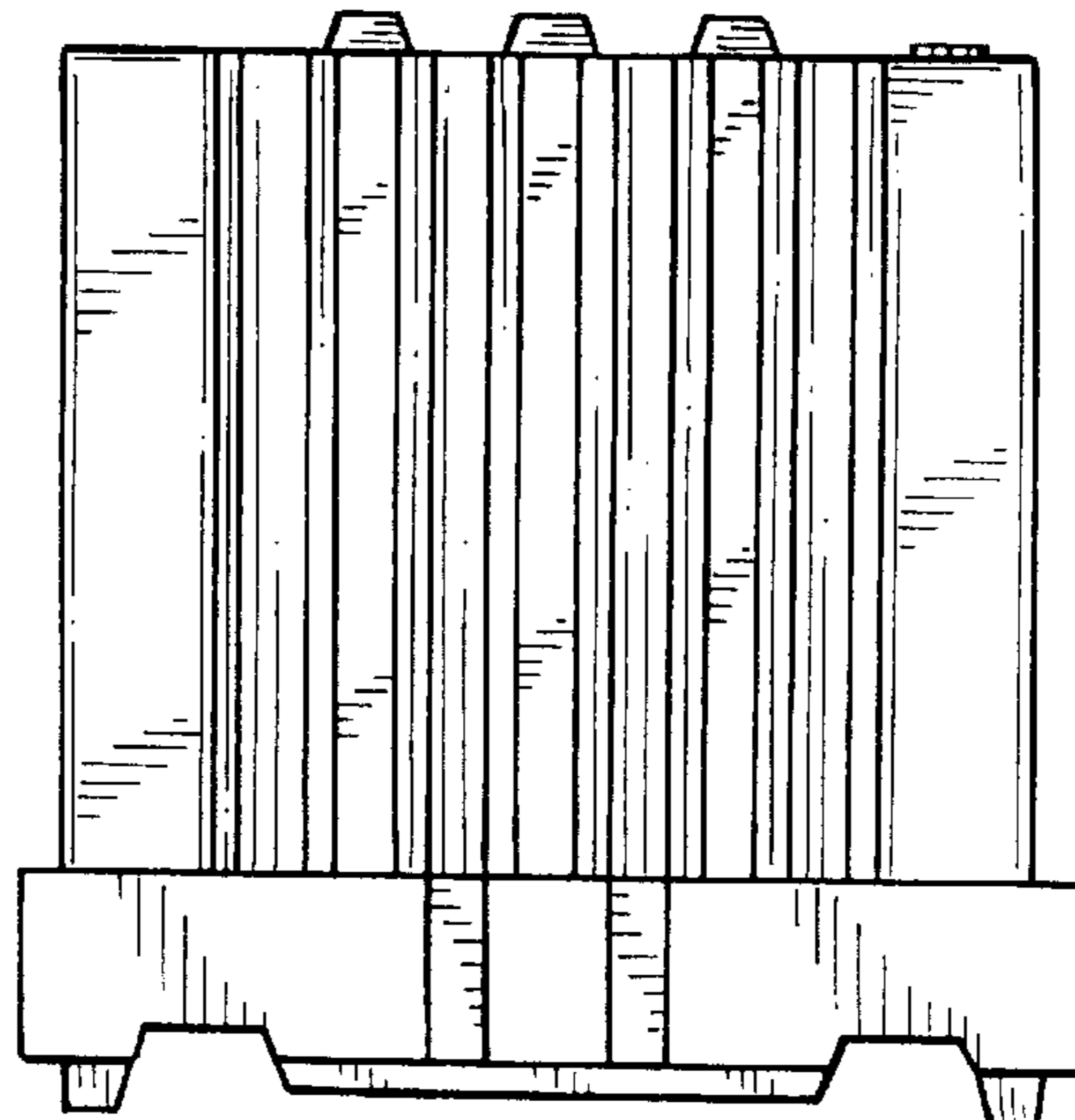


FIG. 5

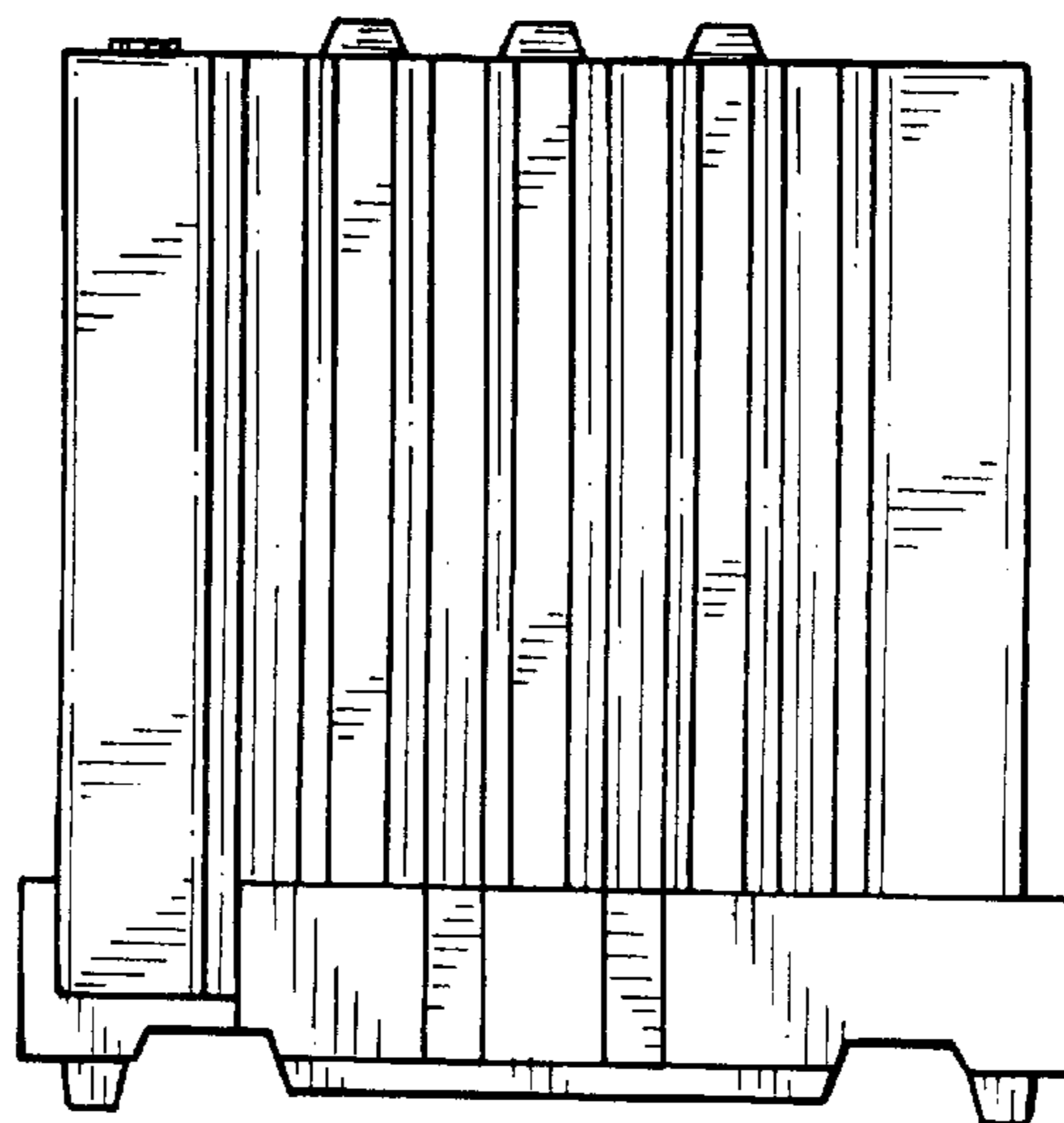


FIG. 6

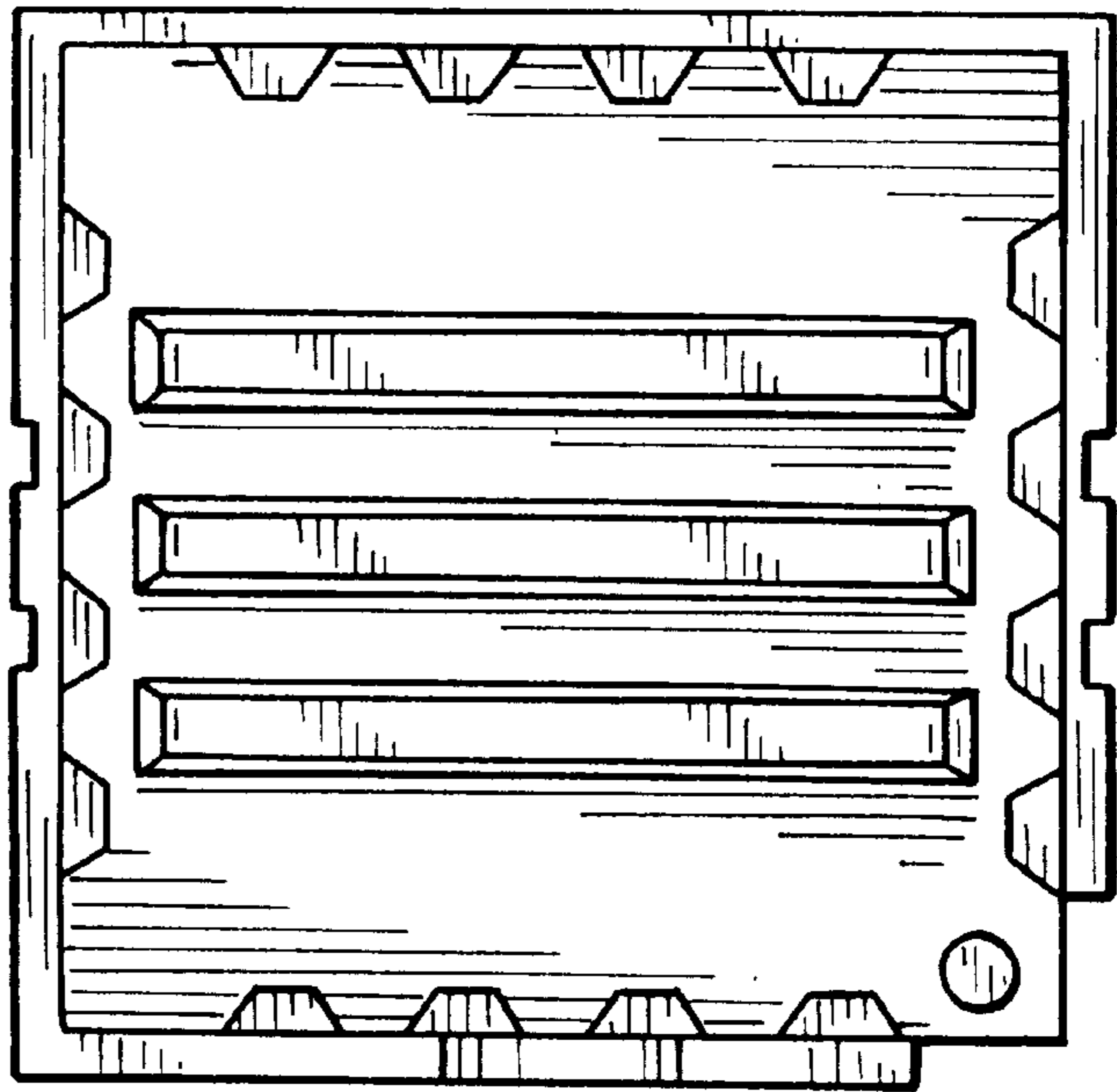


FIG. 7

