



US00D422767S

United States Patent [19]

Presser

[11] Patent Number: **Des. 422,767**

[45] Date of Patent: **** Apr. 11, 2000**

[54] **RECEPTACLE FOR HOLDING A PLASTIC GARBAGE BAG**

[76] Inventor: **Dwight W. Presser**, 4848 Haddington, Bloomfield Township, Mich. 48304

[**] Term: **14 Years**

[21] Appl. No.: **29/102,558**

[22] Filed: **Mar. 26, 1999**

[51] **LOC (6) Cl.** **09-09**

[52] **U.S. Cl.** **D34/6; D34/1**

[58] **Field of Search** D34/1, 5, 6, 7, D34/8, 9, 10; 220/908, 909, 910, 911; D7/605; D3/307; 248/95, 96, 97, 100, 101

[56] **References Cited**

U.S. PATENT DOCUMENTS

D. 186,194	9/1959	Beverlin	D34/1
D. 248,070	6/1978	Catanzaro et al. .	
D. 248,081	6/1978	Epstein	D7/605
D. 362,525	9/1995	Kruger	D34/1
D. 381,159	7/1997	Hampton	D34/1
D. 384,461	9/1997	Kouvdos	D34/1
D. 387,530	12/1997	Doxey	D34/1
D. 387,531	12/1997	Tisbo et al.	D34/1
D. 398,118	9/1998	Douglas	D34/1
D. 401,719	11/1998	Van Leeuwen et al.	D34/1
D. 405,576	2/1999	Rausch	D34/1
4,085,785	4/1978	Hoot	220/908 X

4,487,331	12/1984	Hawker	220/909
4,535,911	8/1985	Goulter .	
4,856,675	8/1989	Palazzola .	
4,892,224	1/1990	Graham	220/909
4,938,380	7/1990	Donahoe .	
5,054,724	10/1991	Hutcheson .	
5,261,553	11/1993	Mueller et al.	220/908
5,535,914	7/1996	Badalamenti et al. .	
5,711,499	1/1998	Sectish .	

Primary Examiner—Susan J. Lucas
Assistant Examiner—Cynthia E. Ramirez
Attorney, Agent, or Firm—Gifford, Krass, Groh, Sprinkle, Anderson & Citkowski, P.C.

[57] **CLAIM**

I claim the ornamental design for a receptacle for holding a plastic garbage bag, as shown and described.

DESCRIPTION

FIG. 1 is a perspective view of the receptacle for holding a plastic garbage bag according to a first preferred variant of the present design;

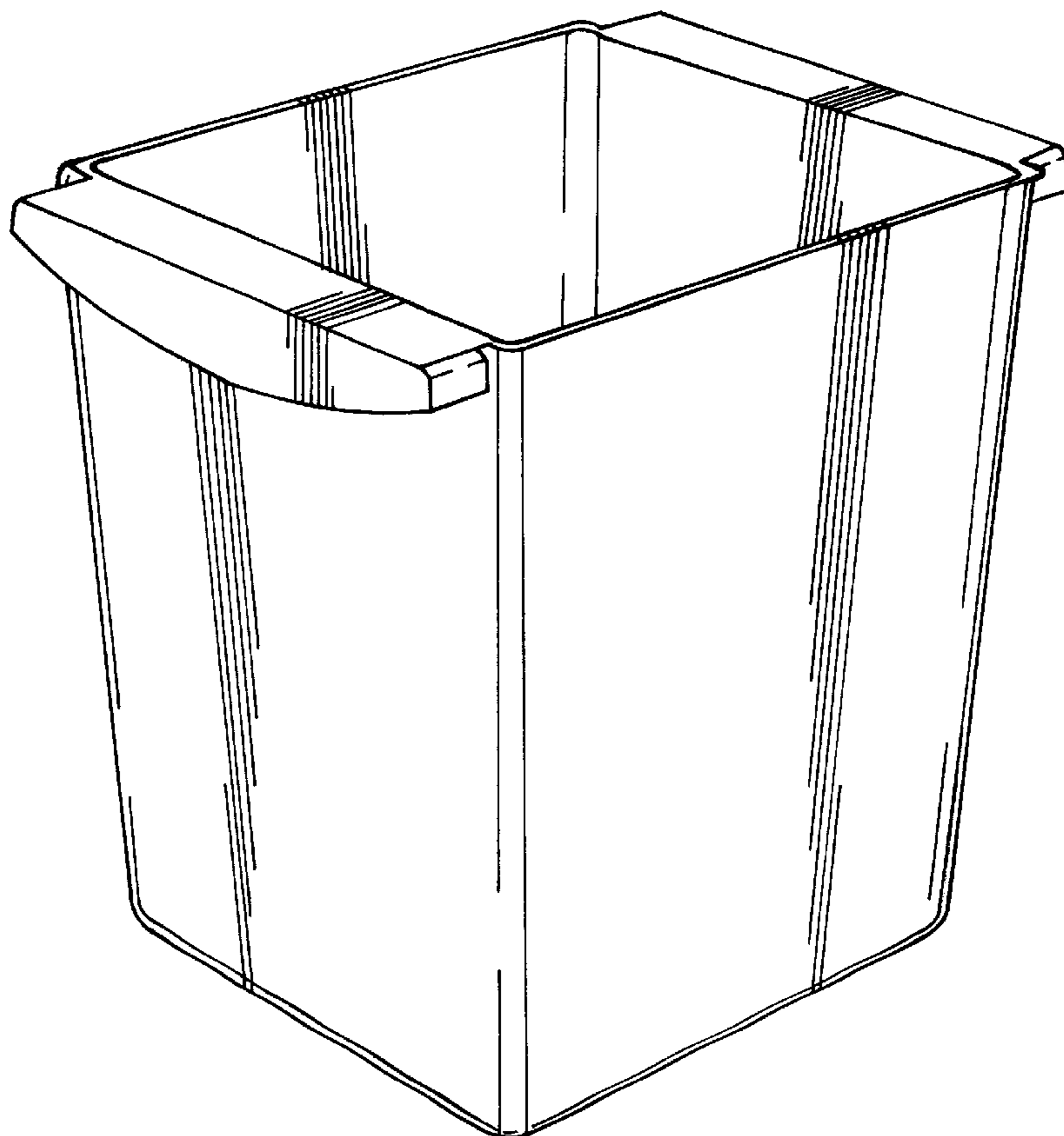
FIG. 2 is a top view of the present design;

FIG. 3 is a bottom view of the present design;

FIG. 4 is a front view of the present design with a corresponding rear view being a mirror image thereof; and,

FIG. 5 is a left side view of the present design with a corresponding right side view being a mirror image thereof.

1 Claim, 2 Drawing Sheets



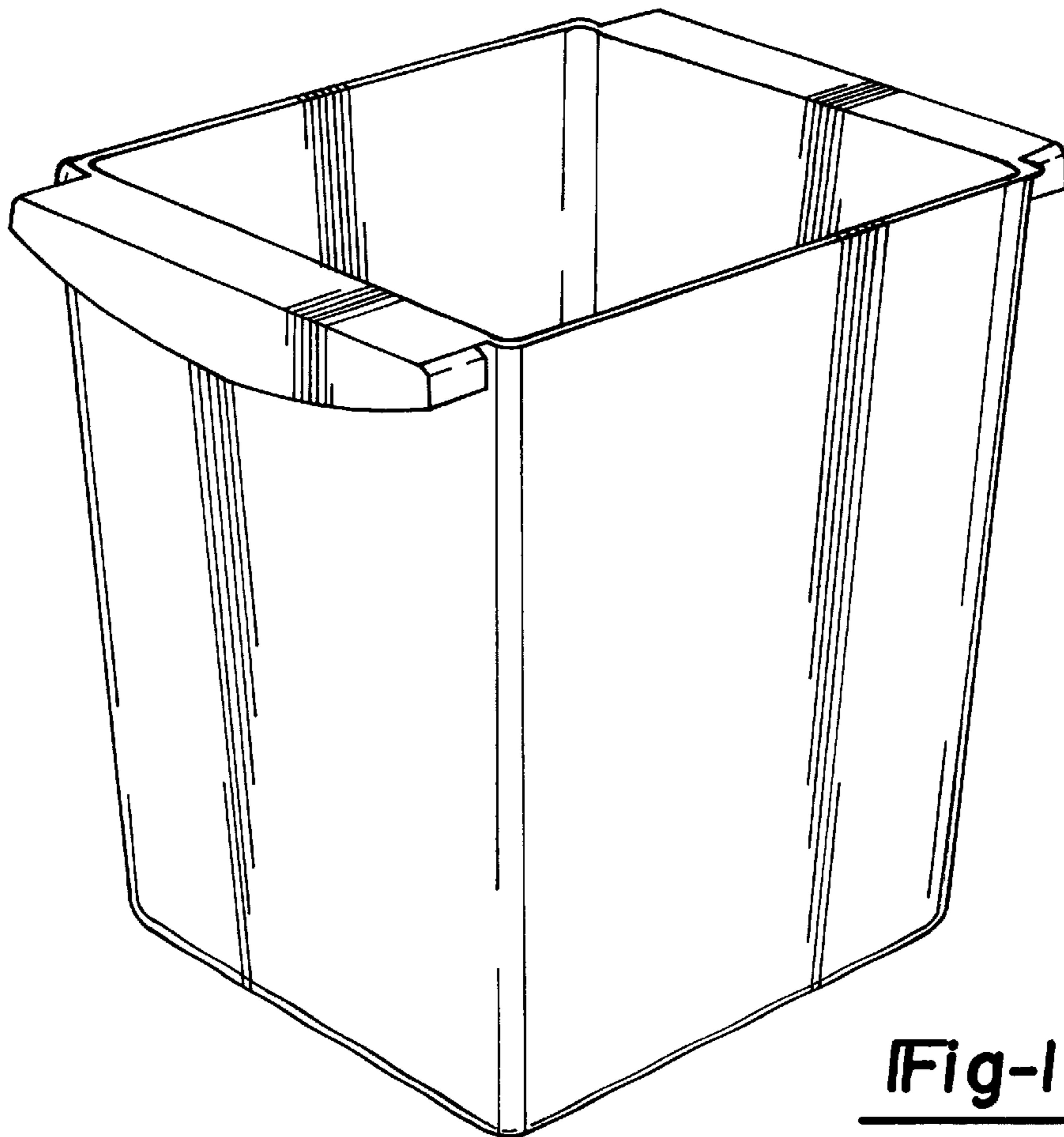


Fig-1

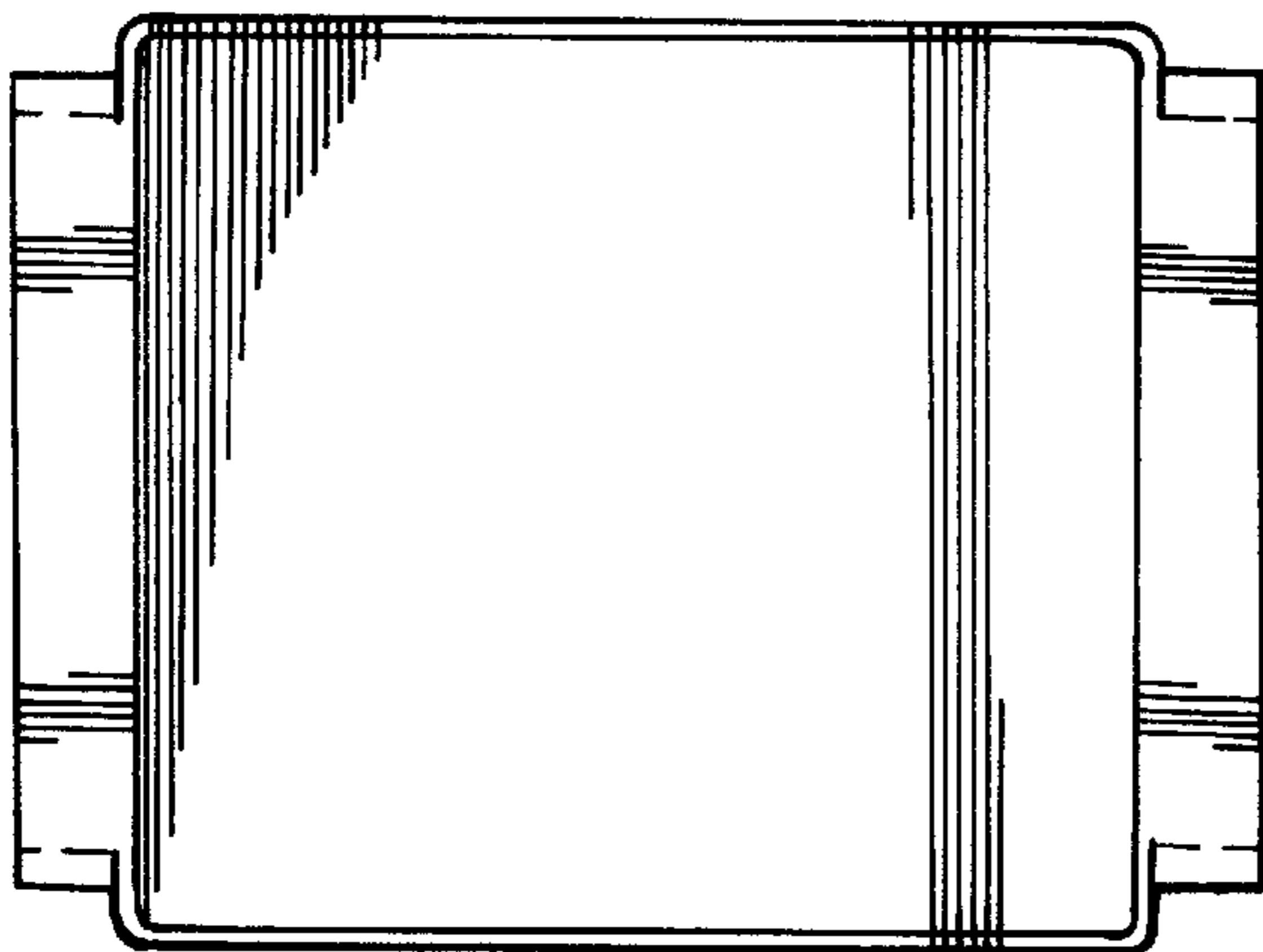


Fig-2

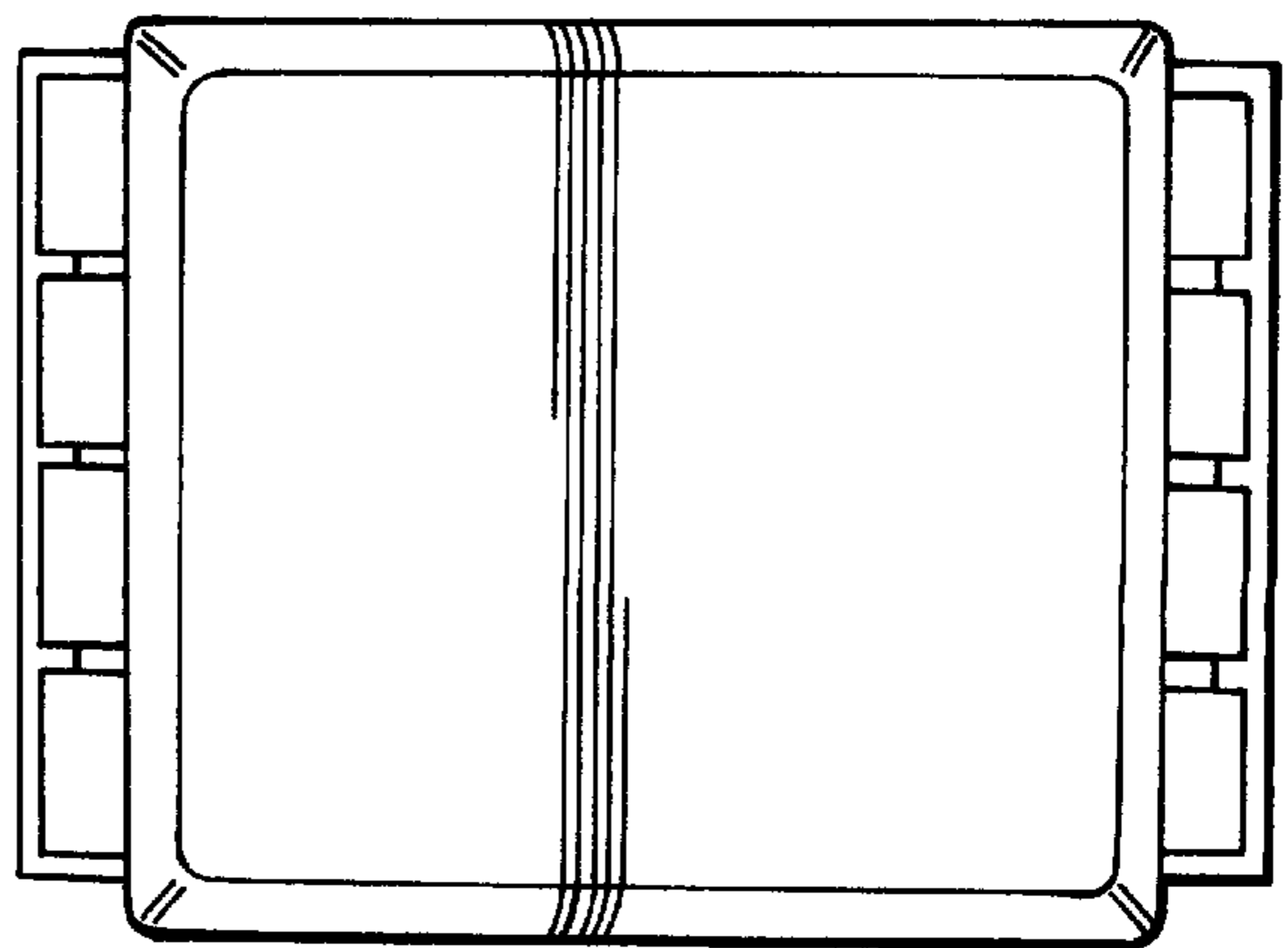


Fig-3

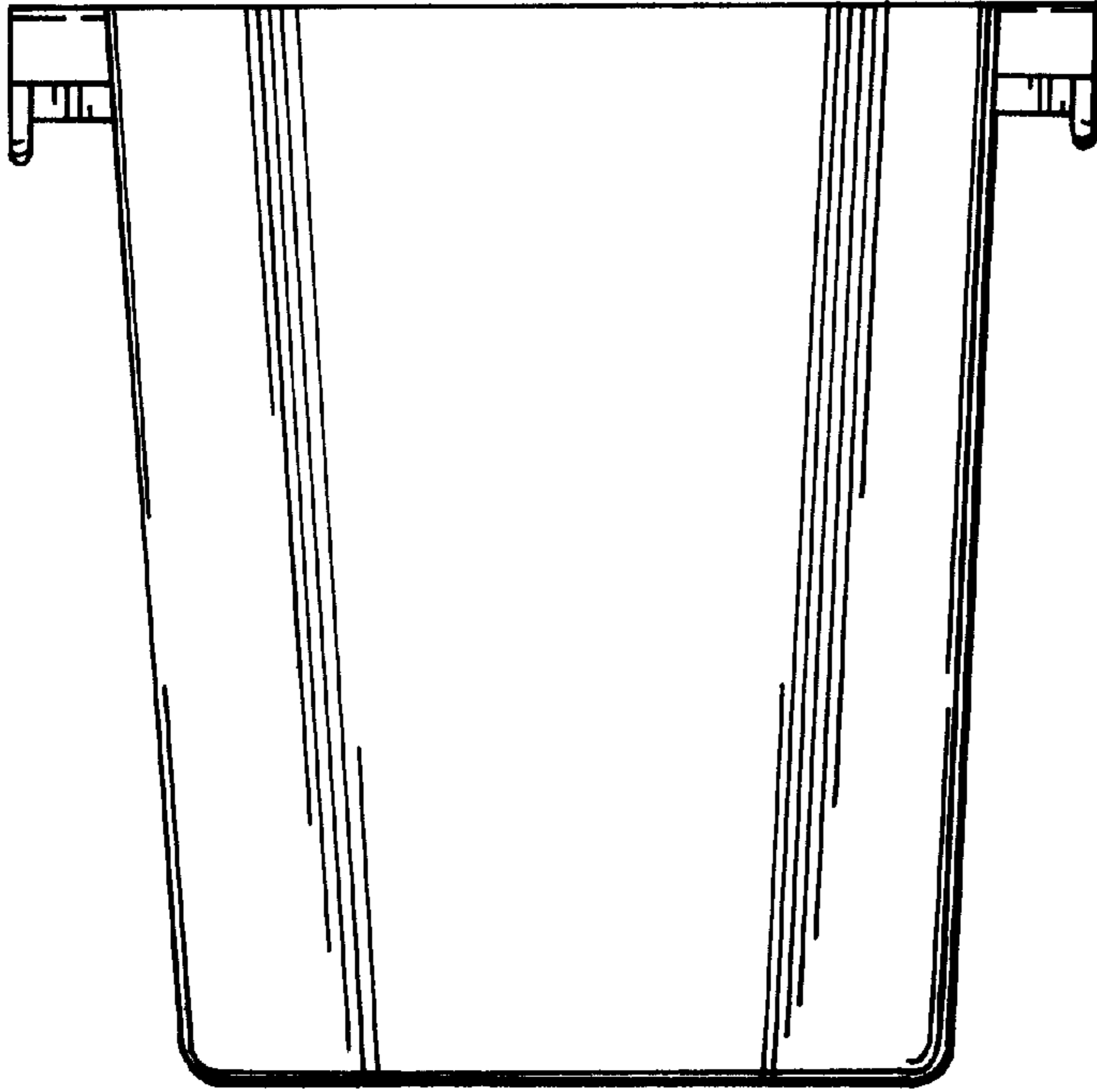


Fig-4

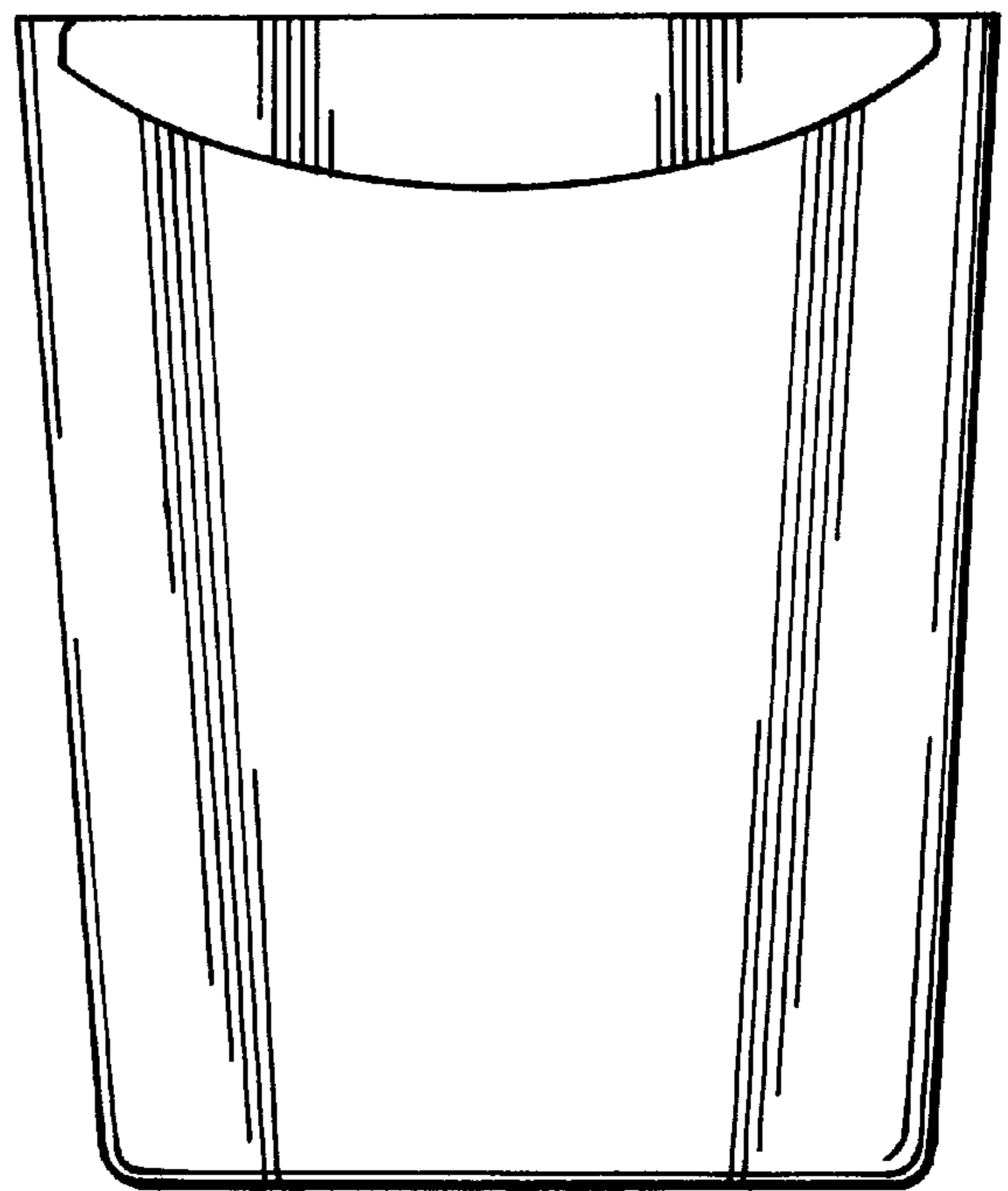


Fig-5