



US00D422766S

United States Patent [19]
Whitman

[11] **Patent Number: Des. 422,766**

[45] **Date of Patent: ** Apr. 11, 2000**

[54] **SCRAPER FOR A BARBECUE**

3,719,993 3/1973 Caprioli 30/172
4,553,279 11/1985 Gassew et al. 30/172 X

[76] Inventor: **Kent M. Whitman**, 1924 Whitewater Dr., NE., Rio Rancho, N.Mex. 87124

Primary Examiner—Susan J. Lucas
Assistant Examiner—Cynthia Ramirez
Attorney, Agent, or Firm—Rod D. Baker

[**] Term: **14 Years**

[21] Appl. No.: **29/088,823**

[57] **CLAIM**

[22] Filed: **Jun. 1, 1998**

The ornamental design for a scraper for a barbecue, as shown and described.

[51] **LOC (6) Cl.** **08-05**

DESCRIPTION

[52] **U.S. Cl.** **D32/46; D8/16**

[58] **Field of Search** D32/46, 48, 49;
15/236.01, 104.03, 105.54; 30/169, 171,
172; D8/16

FIG. 1 is a perspective view of a scraper for a barbecue showing my new design;

FIG. 2 is a bottom plan view, the top plan view being the mirror image thereof;

FIG. 3 is a right side elevational view thereof;

FIG. 4 is a left side elevational view thereof; and,

FIG. 5 is a front elevational view thereof.

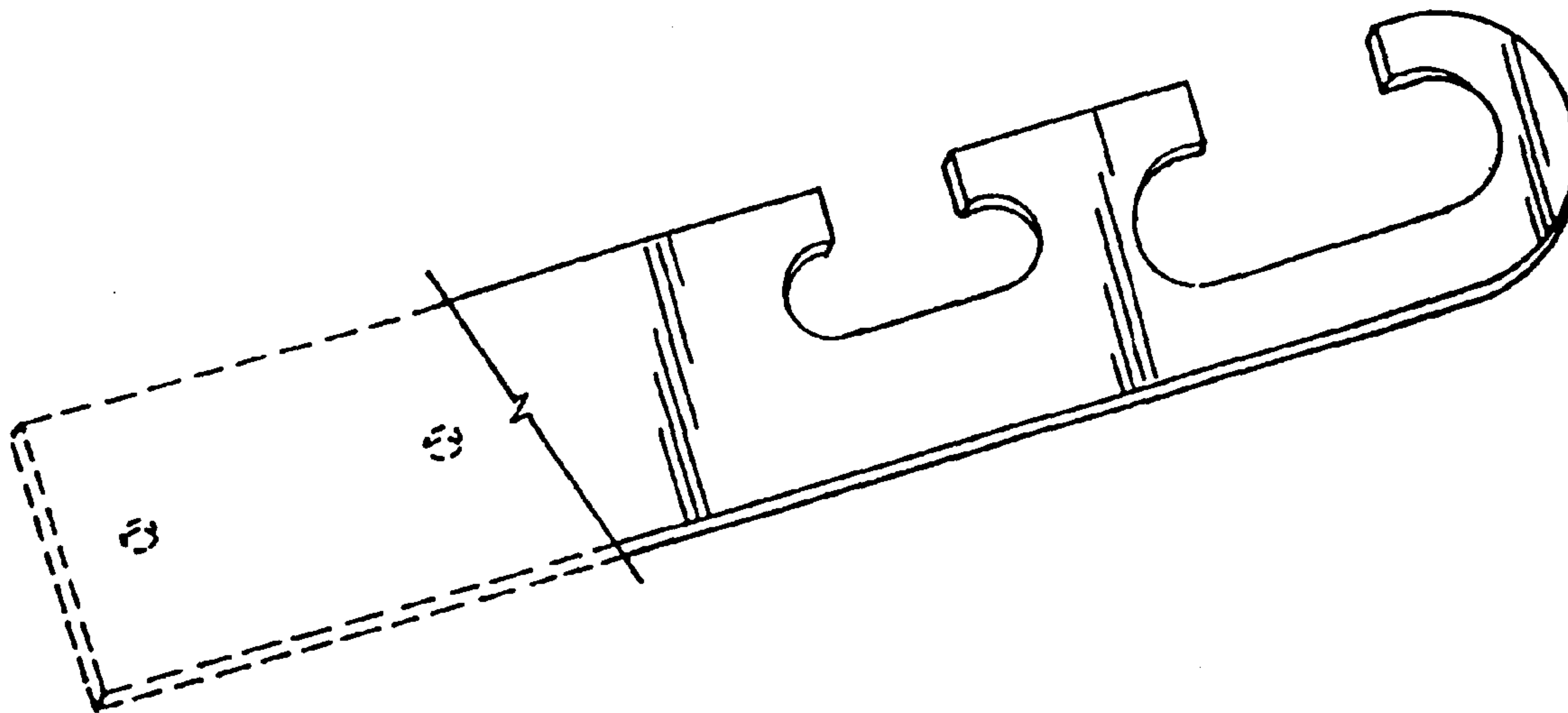
The broken lines shown in FIGS. 1, 2, 3, and 4 are for illustrative purposes only and form no part of the claimed design.

[56] **References Cited**

U.S. PATENT DOCUMENTS

D. 286,457	10/1986	Thomas	D32/49
D. 341,453	11/1993	Roma et al.	D32/46
D. 341,455	11/1993	Roma et al.	D32/49
D. 354,895	1/1995	Flynn	D8/16
D. 368,998	4/1996	King	D32/46
3,157,946	11/1964	Smecko	30/169

1 Claim, 1 Drawing Sheet



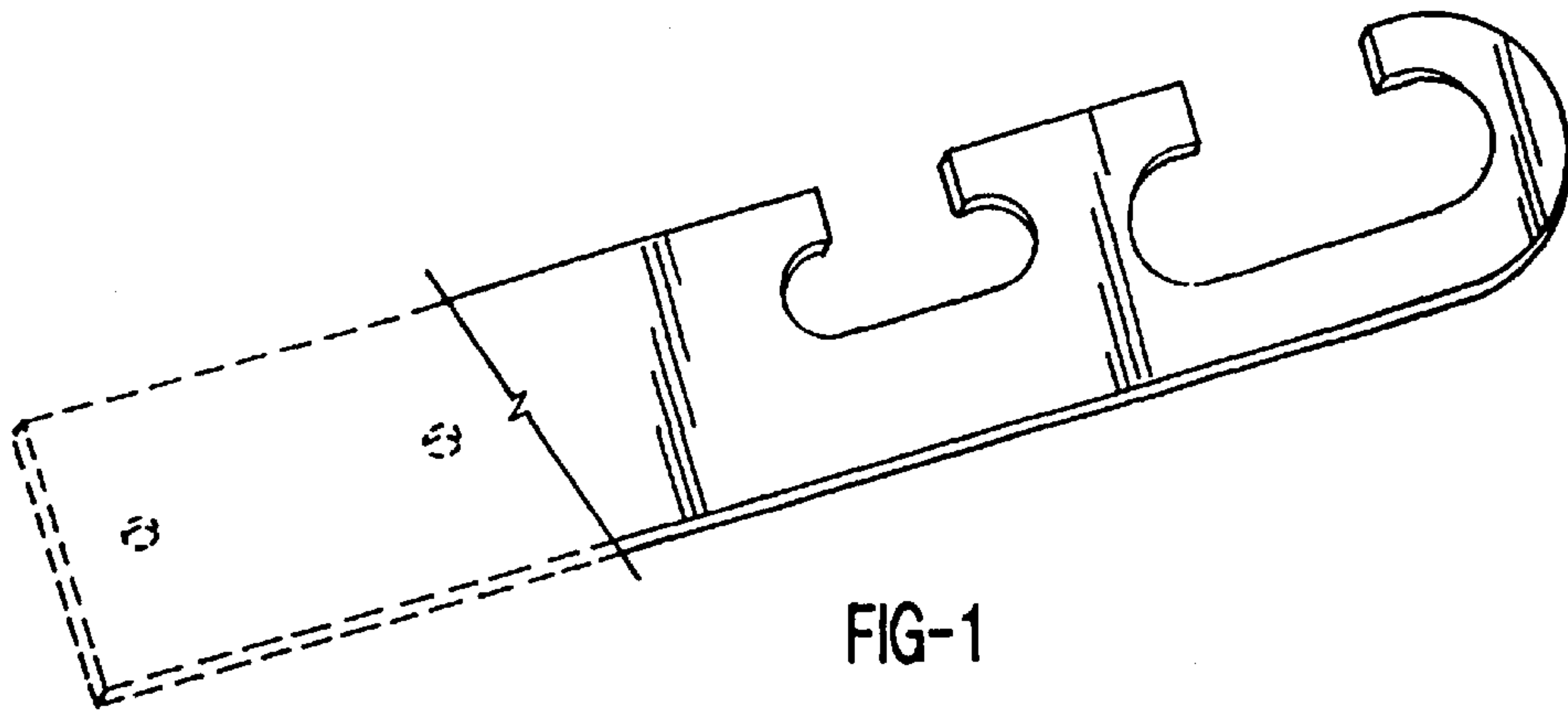


FIG-1

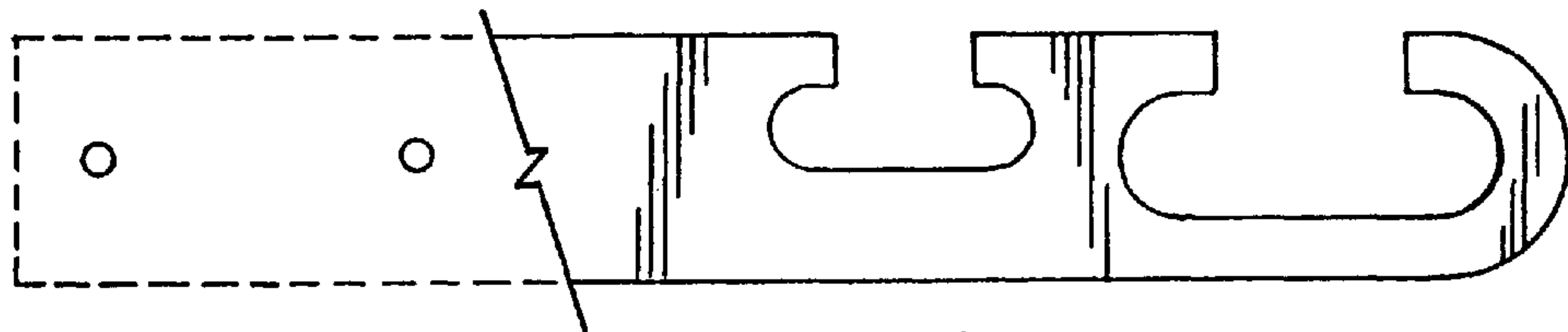


FIG-2

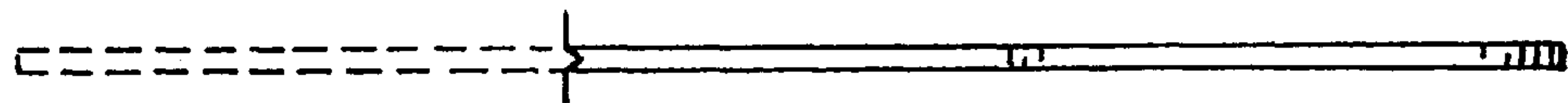


FIG-3



FIG-4

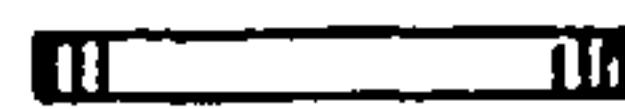


FIG-5