



US00D422765S

United States Patent [19]

Viola

[11] **Patent Number: Des. 422,765**

[45] **Date of Patent: ** Apr. 11, 2000**

[54] **DEVICE FOR GATHERING LOOSE PET HAIR**

[76] Inventor: **Charles A. Viola**, 511 S. 2nd St.,
Fairfield, Iowa 52556

[**] Term: **14 Years**

[21] Appl. No.: **29/090,811**

[22] Filed: **Jul. 16, 1998**

[51] **LOC (6) Cl.** **08-99**

[52] **U.S. Cl.** **D32/35; D32/41**

[58] **Field of Search** D30/158; D32/40,
D32/41, 46, 48, 49; 15/220.1, 236.01, 236.02,
236.06, 236.08, 245, 245.1, 142, 143.1

[56] **References Cited**

U.S. PATENT DOCUMENTS

D. 318,157	7/1991	Perior	D32/41
2,521,967	9/1950	Dean	15/220.1 X
2,536,311	1/1951	Rojakovick	15/236.02
3,130,436	4/1964	Krause et al.	15/236.02

OTHER PUBLICATIONS

Home Trends, Pet Hair Gatherer—Item No. V010 at the bottom of p. 30, TM1996.

Primary Examiner—Alan P. Douglas
Assistant Examiner—Lavone D. Tabor

[57] **CLAIM**

The ornamental design for a device for gathering loose pet hair, as shown and described.

DESCRIPTION

FIG. 1 is a perspective view of the device for gathering loose pet hair showing my new design;
FIG. 2 is a front elevational view thereof;
FIG. 3 is a right side elevational view thereof;
FIG. 4 is a top plan view thereof;
FIG. 5 is a rear elevational view thereof;
FIG. 6 is a bottom plan view thereof; and,
FIG. 7 is a left side elevational view thereof.

1 Claim, 4 Drawing Sheets

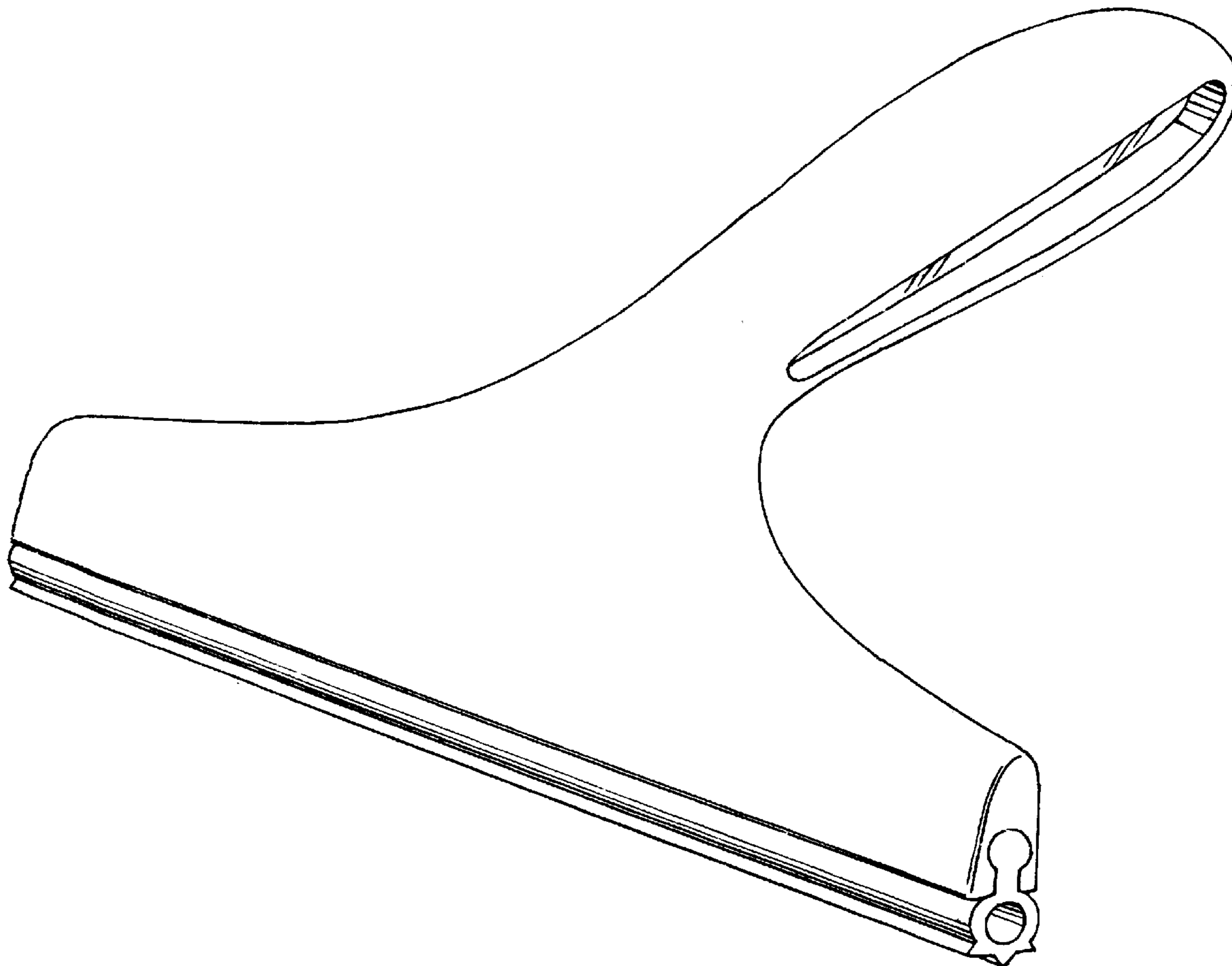


FIG. 1

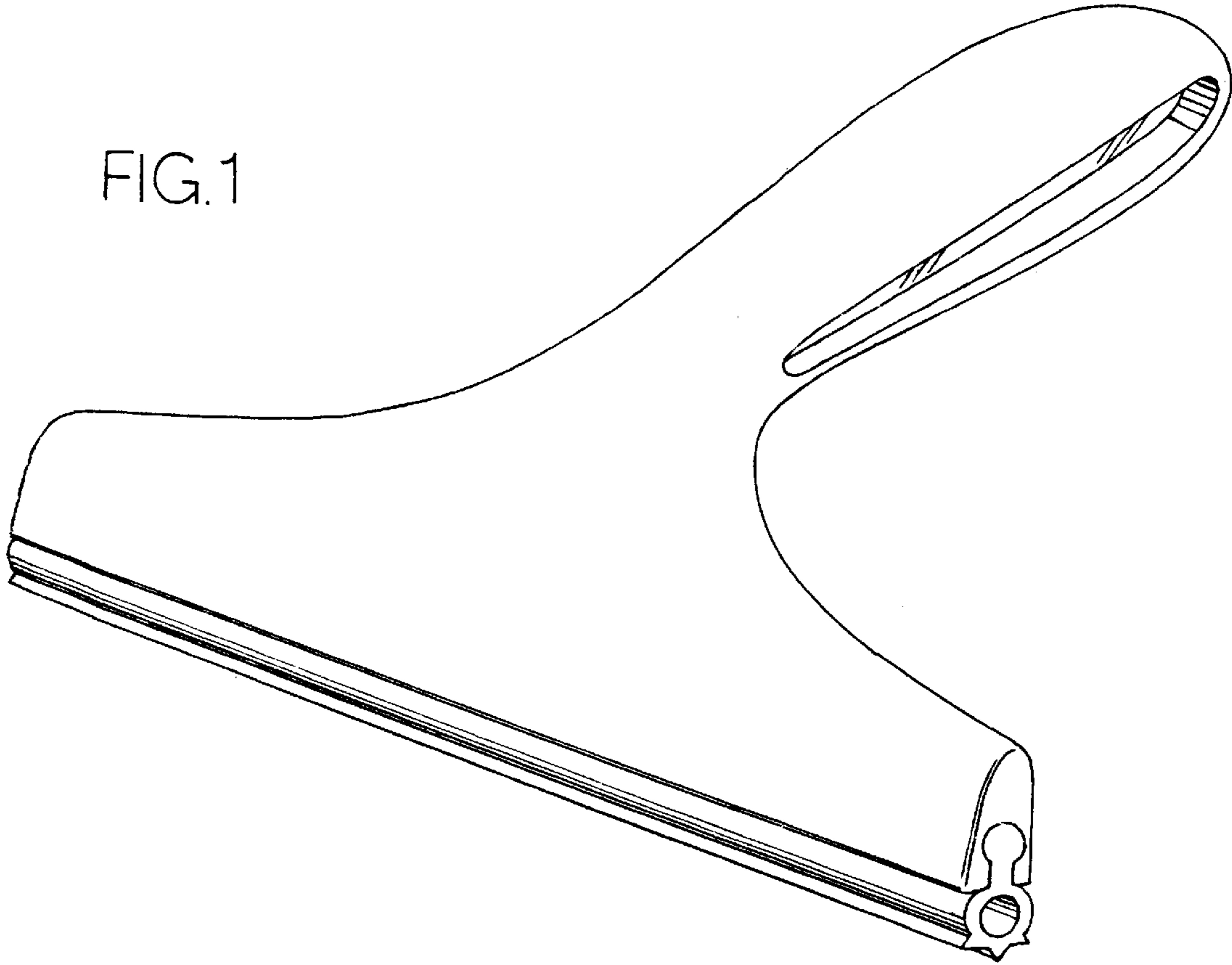
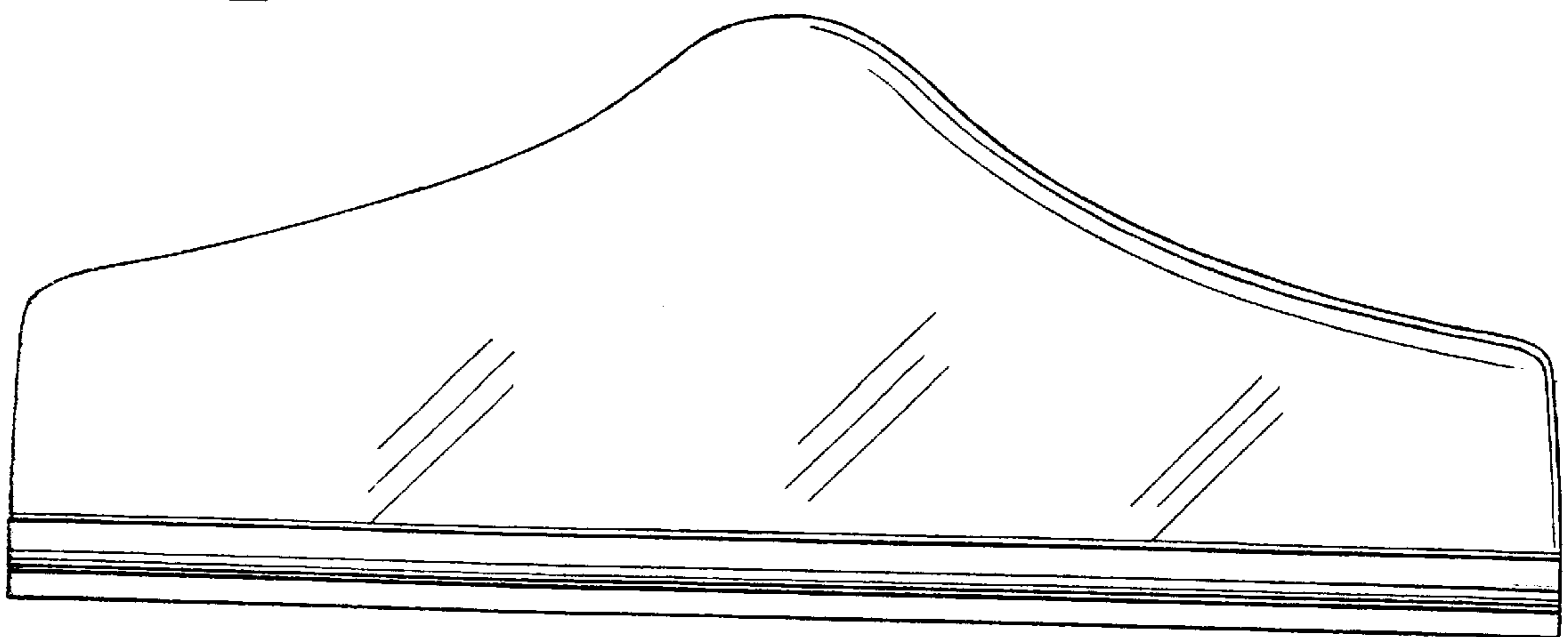


FIG. 2



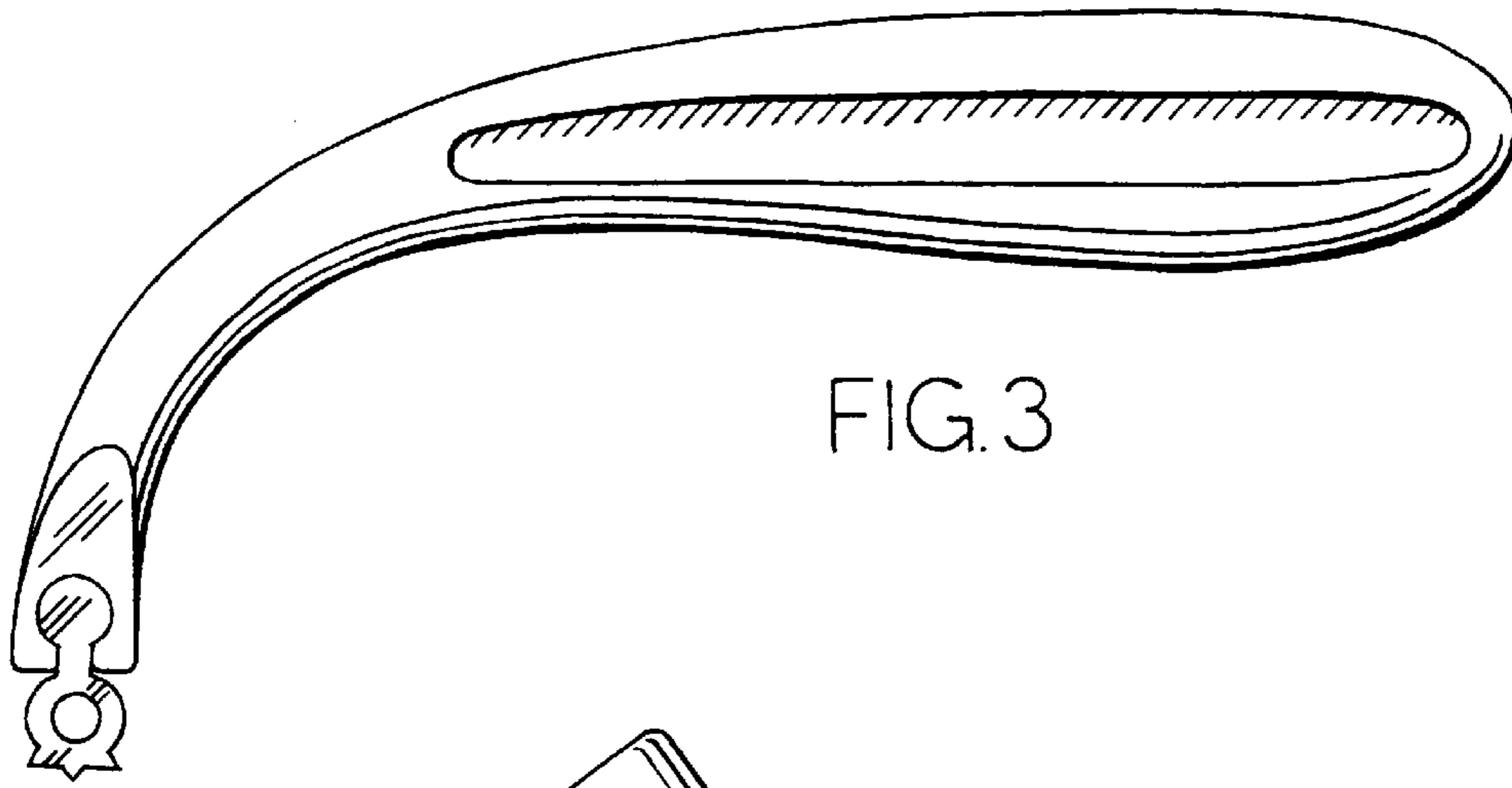


FIG. 3

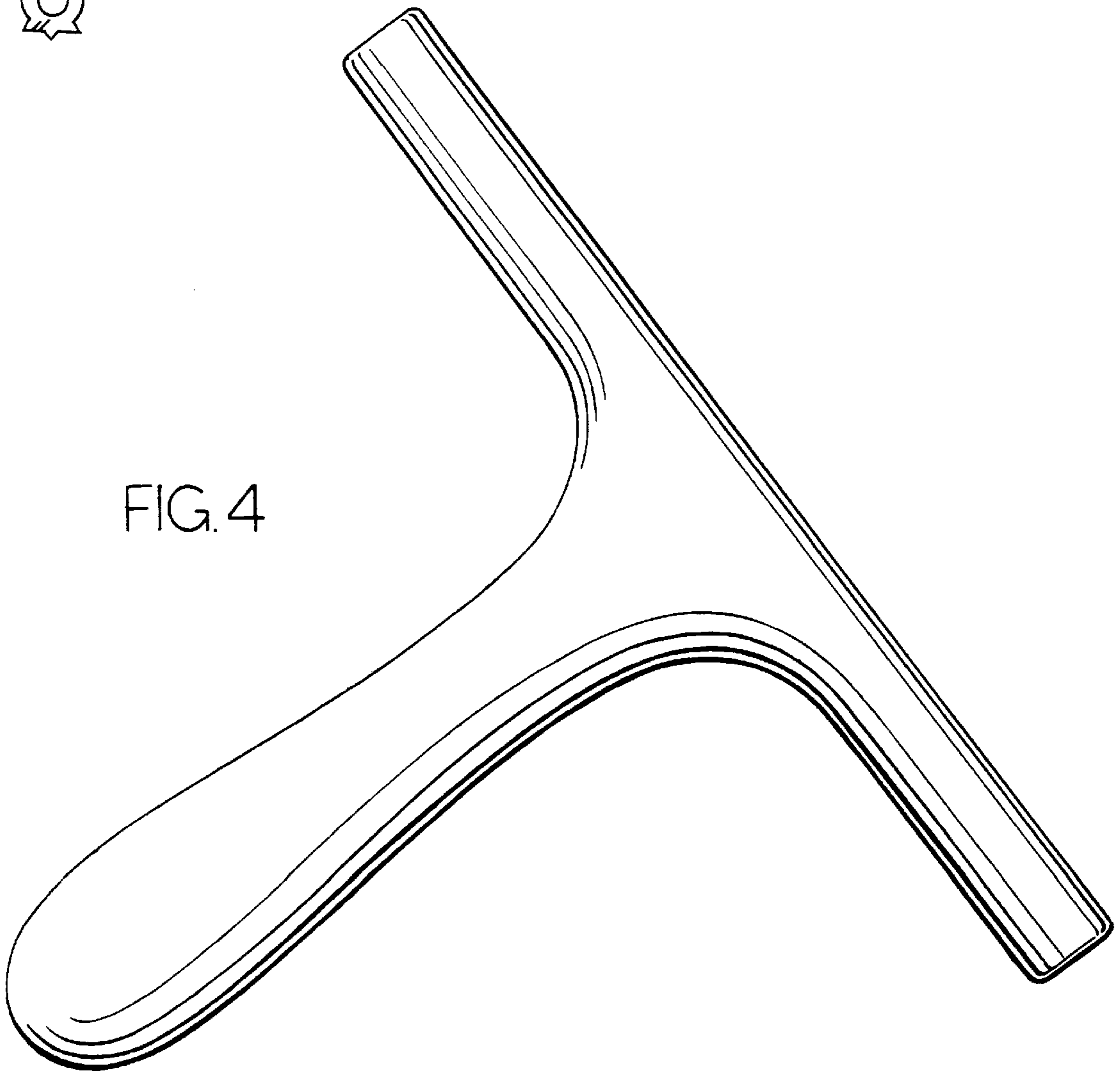


FIG. 4

FIG. 5

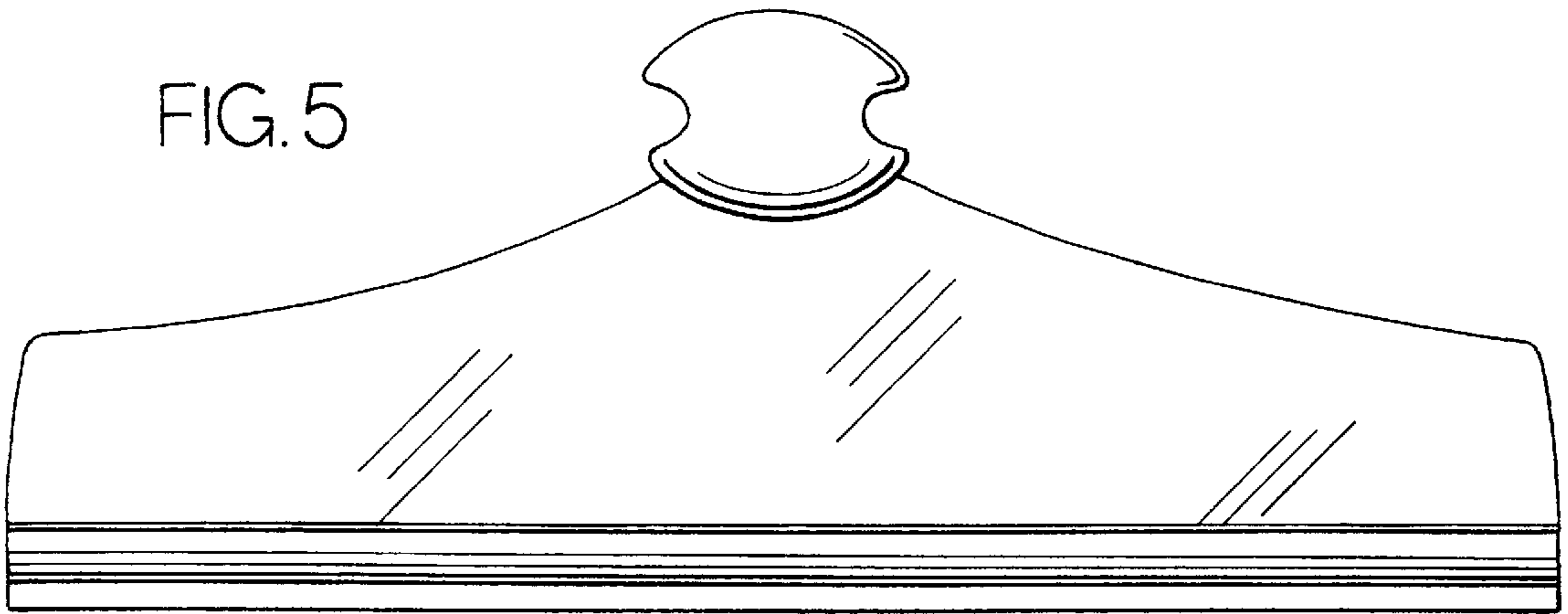
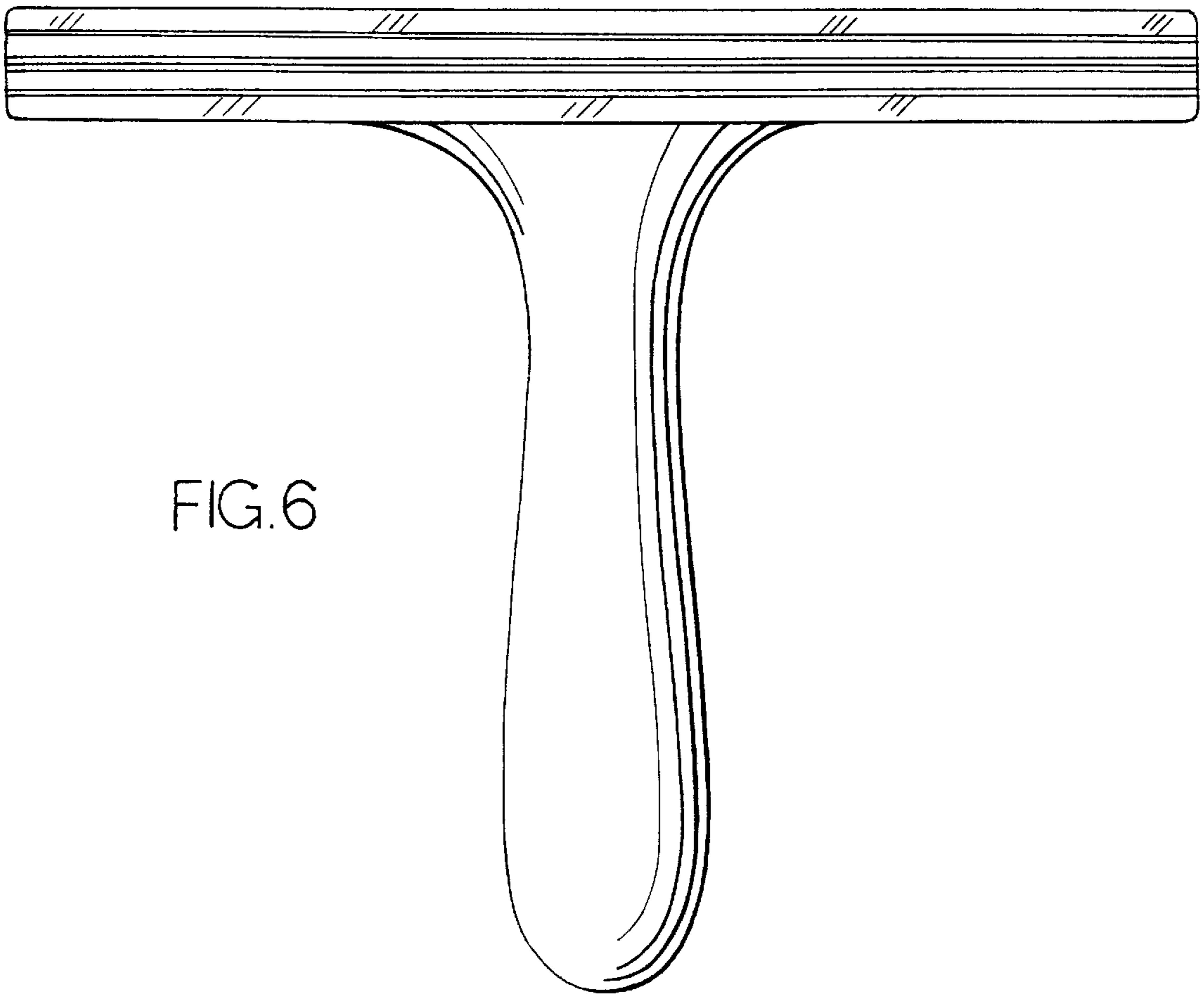


FIG. 6



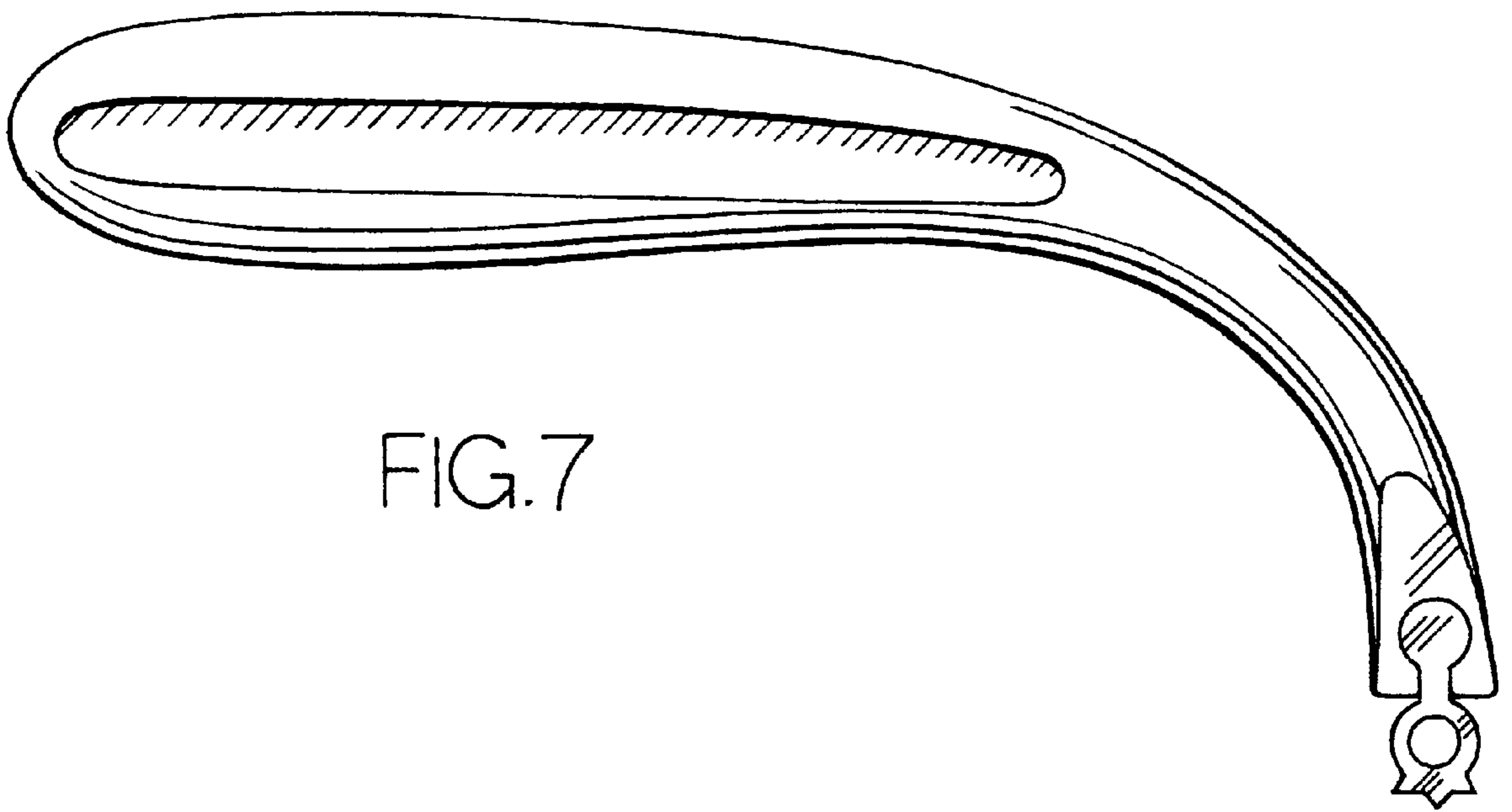


FIG.7